



RAZER OPUS

MASTER GUIDE

Introducing our wireless THX® Certified Headphones equipped with advanced active noise cancellation (ANC) technology. Experience pure, high-fidelity sound with zero distractions for all your entertainment wherever you go.

# CONTENTS

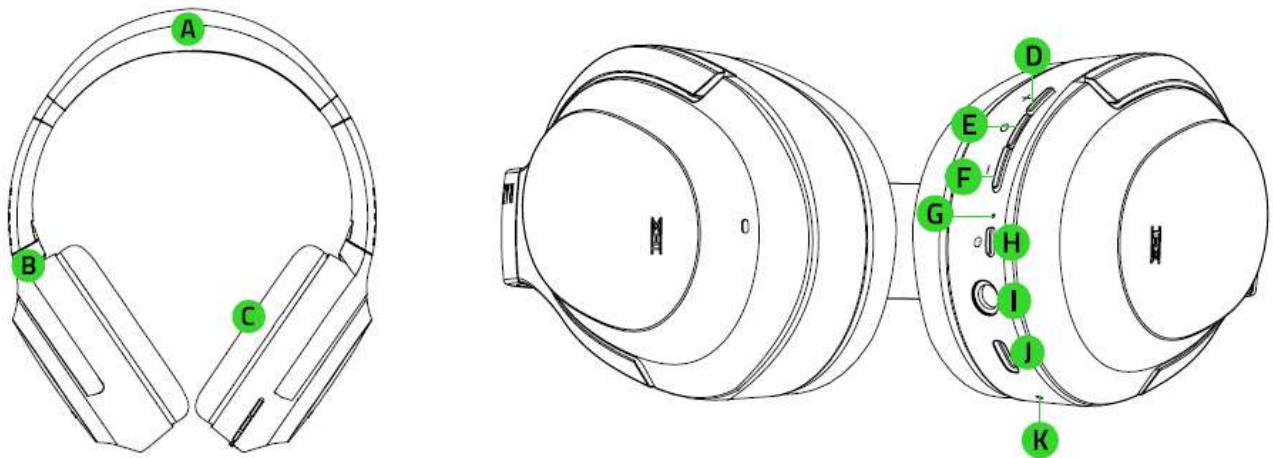
1. WHAT'S INSIDE / WHAT'S NEEDED .....	3
2. LET'S GET YOU COVERED .....	6
3. TECHNICAL SPECIFICATIONS.....	7
4. GETTING STARTED .....	8
5. USING YOUR RAZER OPUS.....	10
6. SAFETY AND MAINTENANCE .....	16
7. LEGALESE.....	17

---

## 1. WHAT'S INSIDE / WHAT'S NEEDED

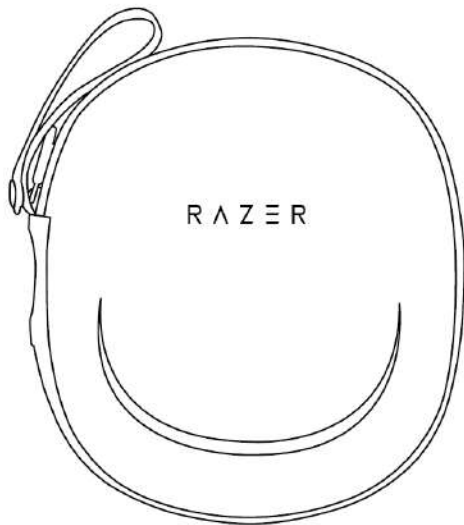
### WHAT'S INSIDE

- Razer Opus

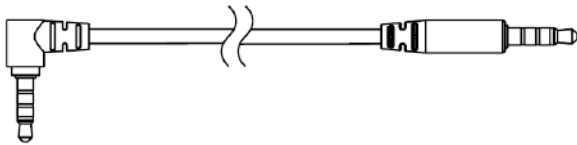


- A. Adjustable padded leatherette headband
- B. Rotatable circumaural ear cup design
- C. Plush leatherette memory foam ear cushions
- D. Volume up button
- E. Center / Multi-function button
- F. Volume down button
- G. Status indicator
- H. Power button
- I. 3.5 mm audio socket
- J. Type C port
- K. Mic diaphragm

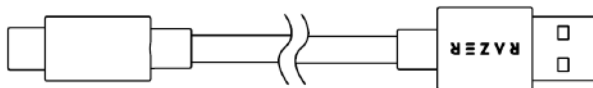
- Premium carry case



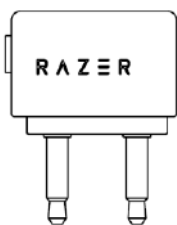
- 3.5mm audio cable



- Type C to Type A charging cable



- Airline headphone adapter



## **WHAT'S NEEDED**

### **PRODUCT REQUIREMENTS**

- [Wireless mode] Devices with Bluetooth connectivity
- [Wired mode] Devices with a 3.5 mm headphone socket

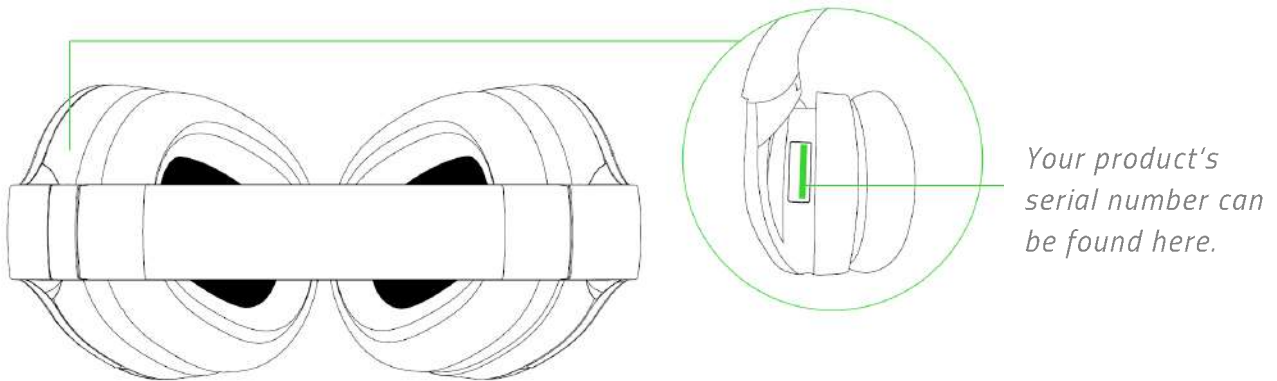
### **MOBILE APP REQUIREMENTS**

- iOS or Android device with Bluetooth connectivity
- Internet connection for app installation

---

## 2. LET'S GET YOU COVERED

You've got a great device in your hands, complete with a 2-year limited warranty coverage. Now maximize its potential and score exclusive Razer benefits by registering at [razerid.razer.com](https://razerid.razer.com)



Got a question? Ask the Razer Support Team at [support.razer.com](https://support.razer.com)

---

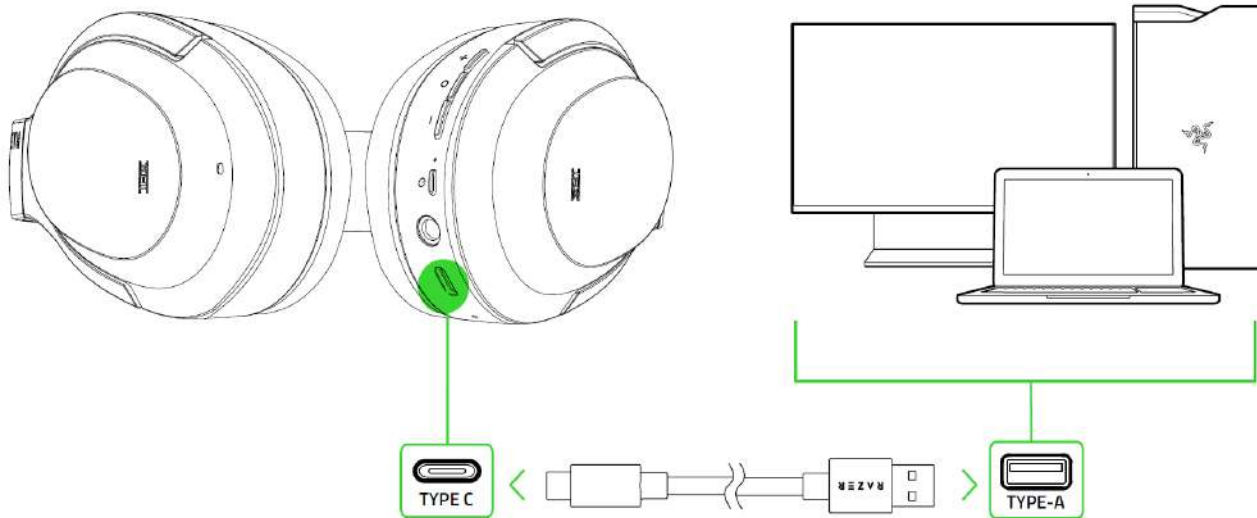
### 3. TECHNICAL SPECIFICATIONS

- Drivers: 2 x 40 mm dynamic drivers
- Weight: 270 g
- Frequency response: 20 Hz - 20 kHz
- Microphones: 4 for hybrid active noise cancellation technology, 2 for voice chat
- Earpads Material: Protein Leather/ Nylon with Memory Foam
- Wearing style: Circumaural
- Connection Type: Wireless via Bluetooth and Wired via 3.5 mm cable
- What's inside: Headset, premium carry case, airplane adapter, 1.3 m length 3.5 mm analog cable, 0.5m length USB-A to USB-C charging cable
- Battery life: Up to 32 hours with ANC on (up to 40 hours with ANC off)
- BT Version: 5.0
- Codecs: AAC & SBC

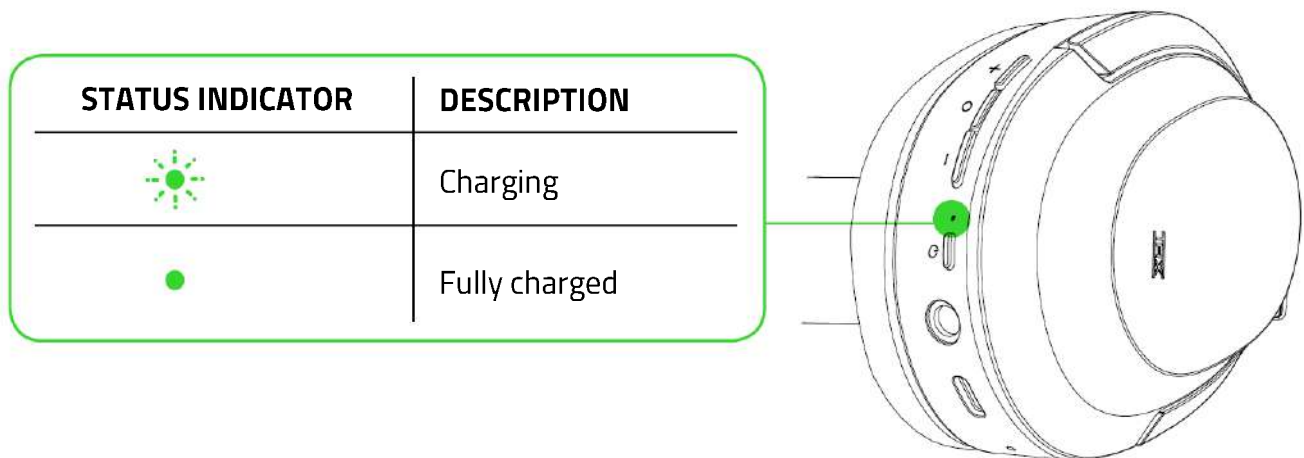
## 4. GETTING STARTED

### CHARGING YOUR HEADSET

Connect your Razer Opus directly to any Type A port using the charging cable. For best results, please fully charge your headset before using it for the first time. A depleted battery will fully charge in about 3.5 hours.

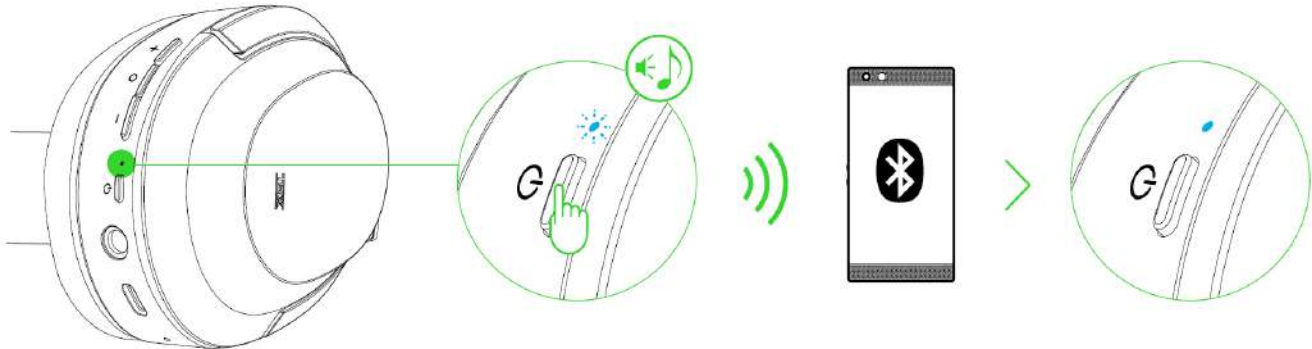


While charging, your Razer Opus will continuously show its battery level on the status indicator, as shown here:



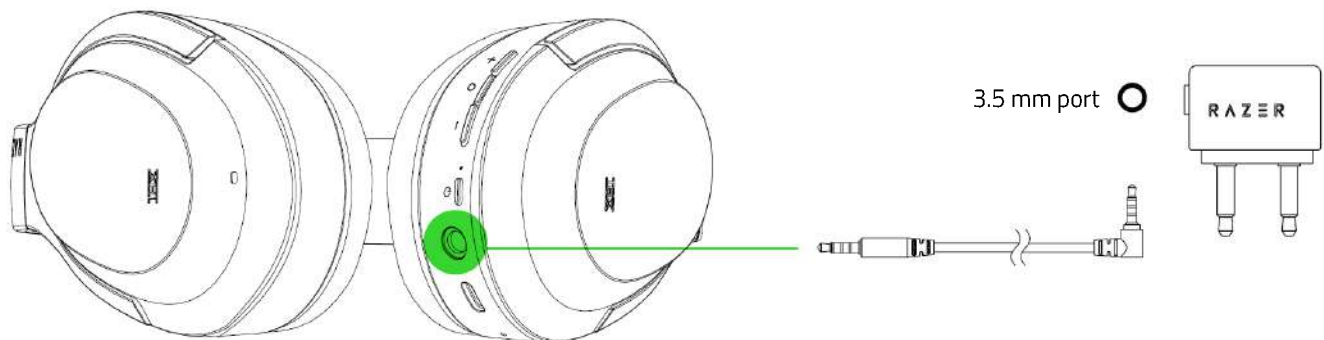
## WIRELESS MODE

While powered off, press and hold the power button until the status indicator starts blinking blue. An audio prompt will notify you that your Razer Opus is searching for compatible Bluetooth devices. Follow your device's instructions to pair it with your Razer Opus. Once the headset is paired, the status indicator will briefly change to static blue.



## WIRED MODE

Connect your Razer Opus to any 3.5mm audio socket using the provided 3.5mm audio cable. You can also use the airline headphone adapter along with the 3.5mm audio cable for in-flight audio jacks. As long as your headset is powered on, you can still use ANC and Ambient Awareness in wired mode.

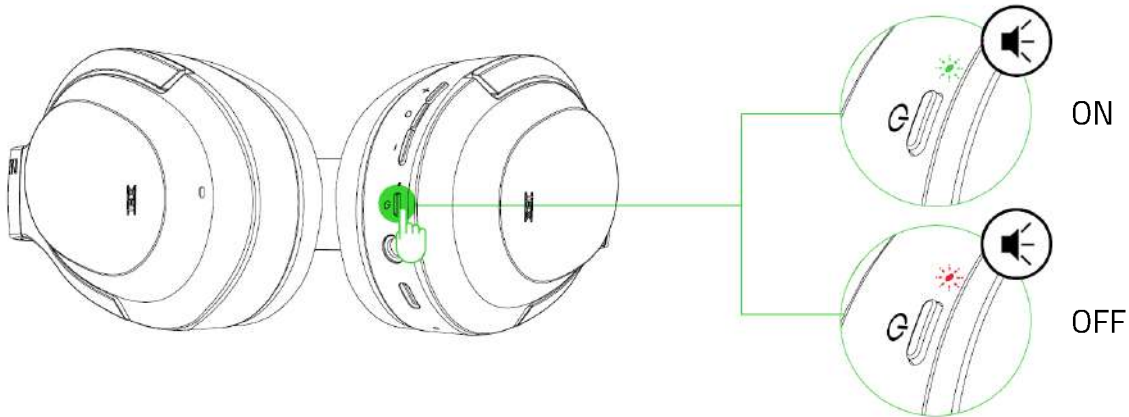


**CAUTION: Do not plug the airline headphone adapter into a power outlet. Doing so may void your warranty.**

## 5. USING YOUR RAZER OPUS

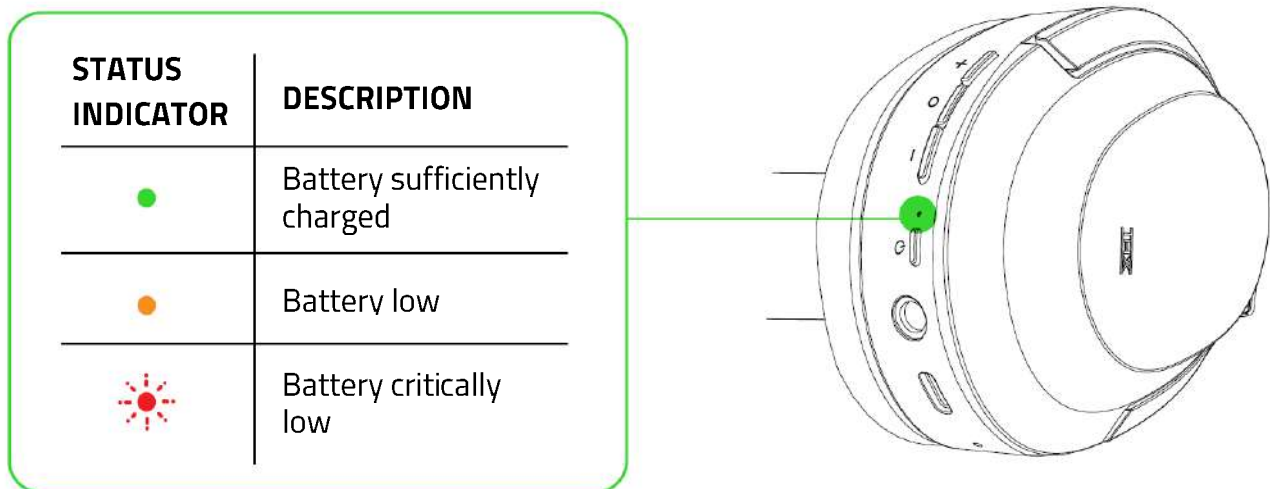
### POWER ON/OFF

Press and hold the power button until the status indicator turns green to power on. Press and hold the power button again until the status indicator turns red to power off. An audio prompt will help notify you that your Razer Opus is powered on or off.



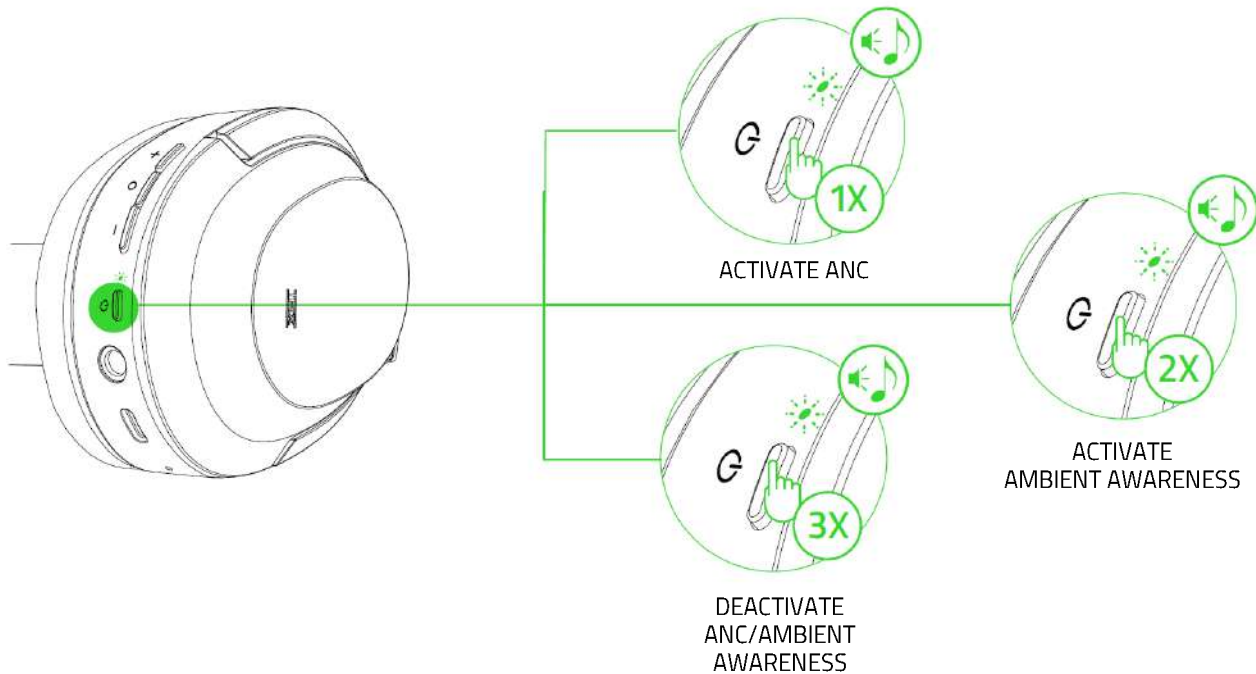
### BATTERY LEVEL

While unplugged, your Razer Opus will briefly show its battery level on the status indicator when you power on the headset. While in use, an audio prompt will be heard when the battery needs recharging.



## ACTIVE NOISE CANCELLATION (ANC) / AMBIENT AWARENESS

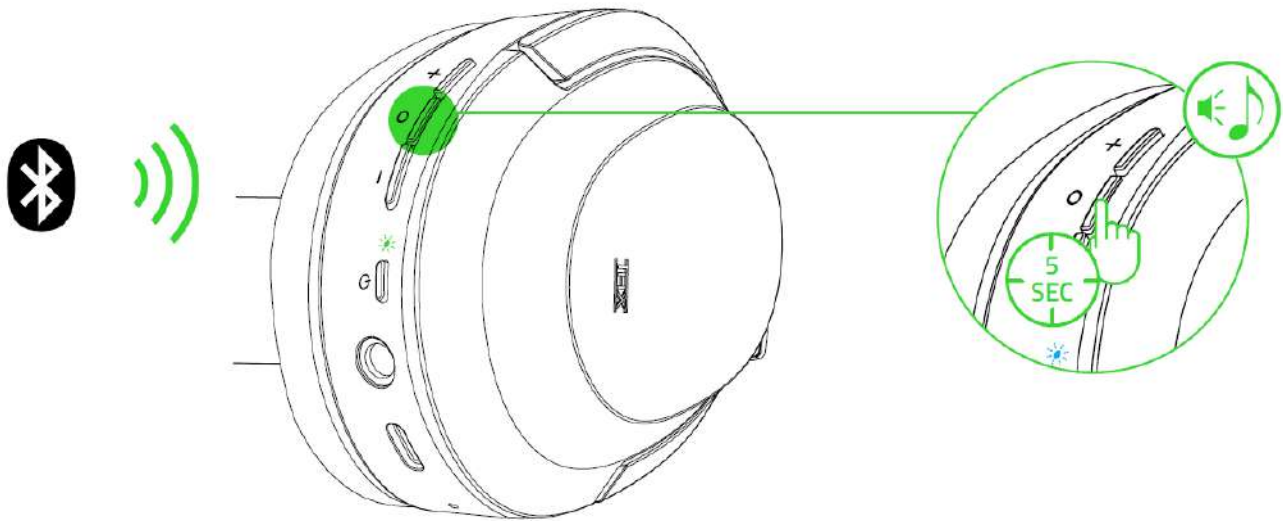
Active Noise Cancellation helps eliminate background noise while Ambient awareness allows you to hear your surroundings without needing to remove your headset. While powered on, press the Power button once to activate ANC, and twice to activate Ambient Awareness. Pressing the button again for the third time will deactivate both functions.



**i** An audio prompt will notify you when ANC and/or Ambient Awareness have been enabled or disabled. Active noise cancellation will work for both wired and wireless connection.

## GAMING MODE

With Gaming Mode enabled, your headset will function at a lower latency; giving you real-time audio feedback while gaming. While connected via Bluetooth, press and hold the Center / Multi-function button for 5 seconds to activate or deactivate this function. The status indicator will briefly blink in blue and an audio prompt will notify you that this function has been enabled.

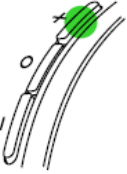
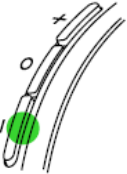



**i** For best performance, it is recommended to keep your headset within a very close distance of the audio source.

## HEADSET CONTROLS

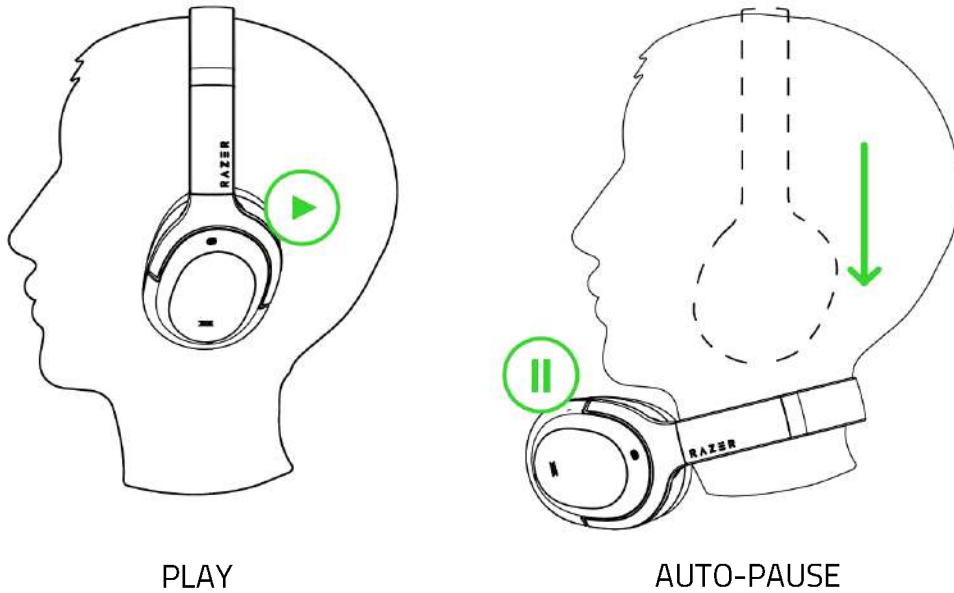
The following controls are available when connected to your device via Bluetooth. These controls operate based on your device's current activity.

 *Some features listed here may not be applicable to certain devices.*

	<b>VOLUME UP BUTTON</b>	
	Single press	Increase audio volume
	Press and hold	Continuously increase audio volume
	<b>VOLUME DOWN BUTTON</b>	
	Single press	Decrease audio volume
	Press and hold	Continuously decrease audio volume
	<b>CENTER BUTTON / MULTI-FUNCTION BUTTON</b>	
	Single press	Play/pause
		Accept incoming call or end current call
		Put call on-hold and accept incoming call
		End call and swap to on-hold call
	Press and hold for 2 seconds	Launch voice command
		Reject incoming call
		Swap calls
	Press and hold for 5 seconds	Enable / disable Gaming Mode
Double press	Skip track	
Triple press	Previous track	

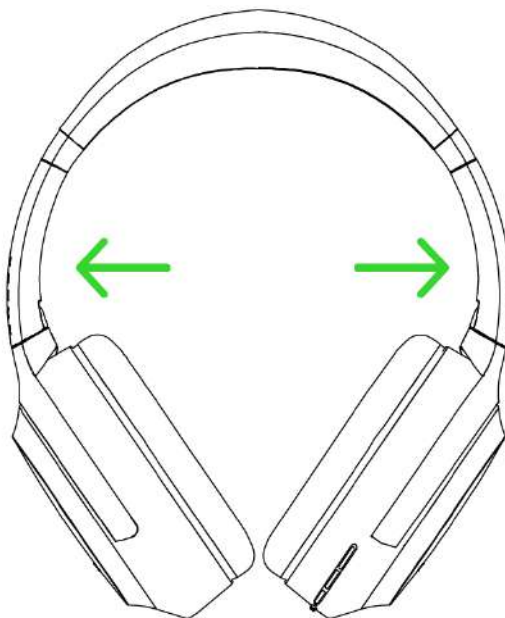
## AUTO-PAUSE

When your Razer Opus is removed from your ears, it will automatically pause the audio being played. Auto-pause is enabled by default and you can change this setting using the mobile app.



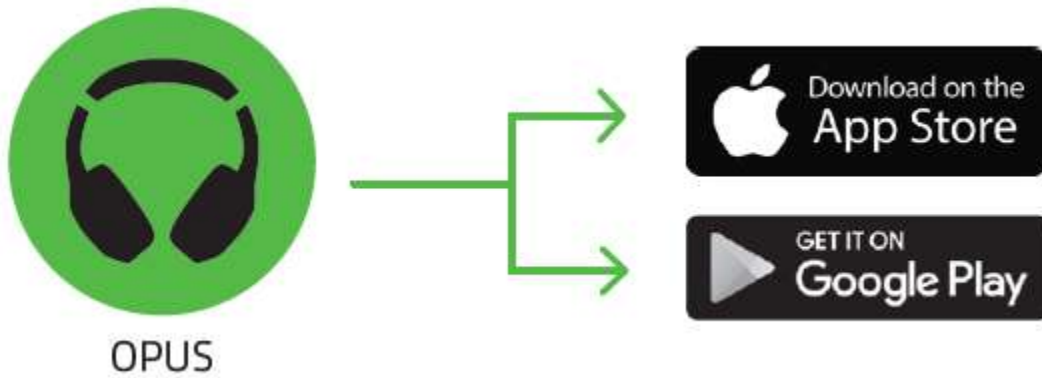
## COMFORT

We recommend stretching the headset gently apart before placing them over your head to minimize headband stress. However, please avoid overstretching the headset beyond its technical limits.



## DOWNLOAD THE APP

Making advanced customization just got a whole lot easier for your Razer Opus. With its own mobile app, you can select THX or other equalizer presets, and much more—anytime, anywhere.



1. Download the mobile app on your mobile device.
2. Launch the app and follow the onscreen instructions.

---

## 6. SAFETY AND MAINTENANCE

### SAFETY GUIDELINES

In order to achieve maximum safety while using your Razer Opus, we suggest that you adopt the following guidelines:

Should you have trouble operating the device properly and troubleshooting does not work, unplug the device and contact the Razer hotline or go to [support.razer.com](https://support.razer.com) for assistance.

Do not take apart the device (doing so will void your warranty) and do not attempt to operate it under abnormal current loads.

Keep the device away from liquid, humidity or moisture. Operate the device only within the specific temperature range of 0°C (32°F) to 40°C (104°F). Should the temperature exceed this range, unplug and/or switch off the device in order to let the temperature stabilize to an optimal level.

The device isolates external ambient sounds even at low volumes, resulting in lowered awareness of your external surroundings. Please remove the device when engaging in any activities that requires active awareness of your surroundings.

Listening to excessively loud volumes over extended periods of time can damage your hearing. Furthermore, legislation of certain countries permits a maximum sound level of 86db to affect your hearing for 8 hours a day. We therefore recommend that you reduce the volume to a comfortable level when listening for prolonged periods of time. Please, take good care of your hearing.

### MAINTENANCE AND USE

The Razer Opus requires minimum maintenance to keep it in optimum condition. Once a month we recommend you clean it using a soft cloth or cotton swab to prevent dirt buildup. Do not use soap or harsh cleaning agents.

### BATTERY WARNING

The Razer Opus contains a Li-ion rechargeable battery. In general, the life expectancy of such batteries is dependent upon usage. If you suspect that the Li-ion rechargeable battery inside the Razer Opus may be drained (has a low charge), try charging it.

Caution: Do not open, mutilate, or expose to conducting materials (metal), moisture, liquid, fire, or heat. Doing so may cause batteries to leak or explode, resulting in personal injury. Battery life varies with usage.

---

## 7. LEGALESE

### **COPYRIGHT AND INTELLECTUAL PROPERTY INFORMATION**

©2020 Razer Inc. All rights reserved. Razer, the triple-headed snake logo, Razer logo, and “For Gamers. By Gamers.” are trademarks or registered trademarks of Razer Inc. and/or affiliated companies in the United States or other countries. All other trademarks are the property of their respective owners.

©2018 Google LLC, used with permission. Android, Google, Google logo, and Google Play™ are trademarks of Google LLC.

Apple, the Apple logo, and iPhone are trademarks of Apple Inc., registered in the U.S. and other countries. App Store is a service mark of Apple Inc. iOS is a trademark or registered trademark of Cisco in the U.S. and other countries and is used under license.

The Bluetooth® word mark and logos are registered trademarks owned by Bluetooth SIG, Inc., and any use of such marks by Razer is under license.

THX and the THX logo are trademarks of THX Ltd., registered in the U.S. and other countries.

Windows and the Windows logo are trademarks or registered trademarks of the Microsoft group of companies.

Razer Inc. (“Razer”) may have copyright, trademarks, trade secrets, patents, patent applications, or other intellectual property rights (whether registered or unregistered) concerning the product in this guide. Furnishing of this guide does not give you a license to any such copyright, trademark, patent or other intellectual property right. The Razer Opus (the “Product”) may differ from pictures whether on packaging or otherwise. Razer assumes no responsibility for such differences or for any errors that may appear. Information contained herein is subject to change without notice.

### **LIMITED PRODUCT WARRANTY**

For the latest and current terms of the Limited Product Warranty, please visit [razer.com/warranty](https://www.razer.com/warranty).

### **LIMITATION OF LIABILITY**

Razer shall in no event be liable for any lost profits, loss of information or data, special, incidental, indirect, punitive or consequential or incidental damages, arising in any way out of distribution of, sale of, resale of, use of, or inability to use the Product. In no event shall Razer’s liability exceed the retail purchase price of the Product.

## **GENERAL**

These terms shall be governed by and construed under the laws of the jurisdiction in which the Product was purchased. If any term herein is held to be invalid or unenforceable, then such term (in so far as it is invalid or unenforceable) shall be given no effect and deemed to be excluded without invalidating any of the remaining terms. Razer reserves the right to amend any term at any time without notice.