

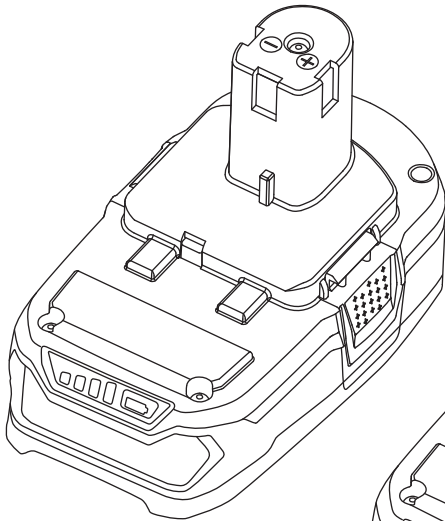
## **User Manual of Product 1:**

Ryobi RB18L50 ONE+ Lithium+ 5.0Ah Battery, 18 V

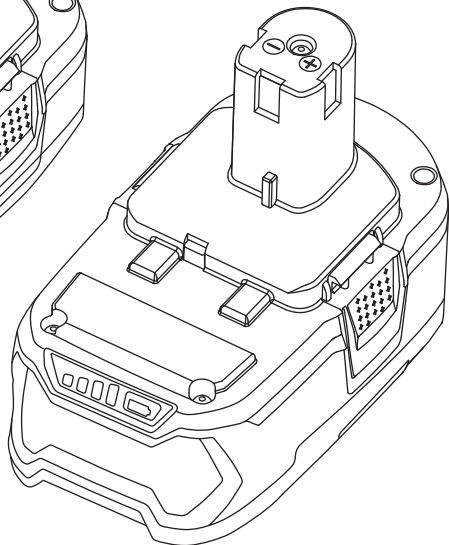
# RYOBI®

**RB18L15/RB18L40**

## **18V LITHIUM-ION BATTERY PACK ORIGINAL INSTRUCTIONS**



**RB18L15**



**RB18L40**

## DESCRIPTION

1. Latches
2. Charge level indicator
3. Charge level indicator button

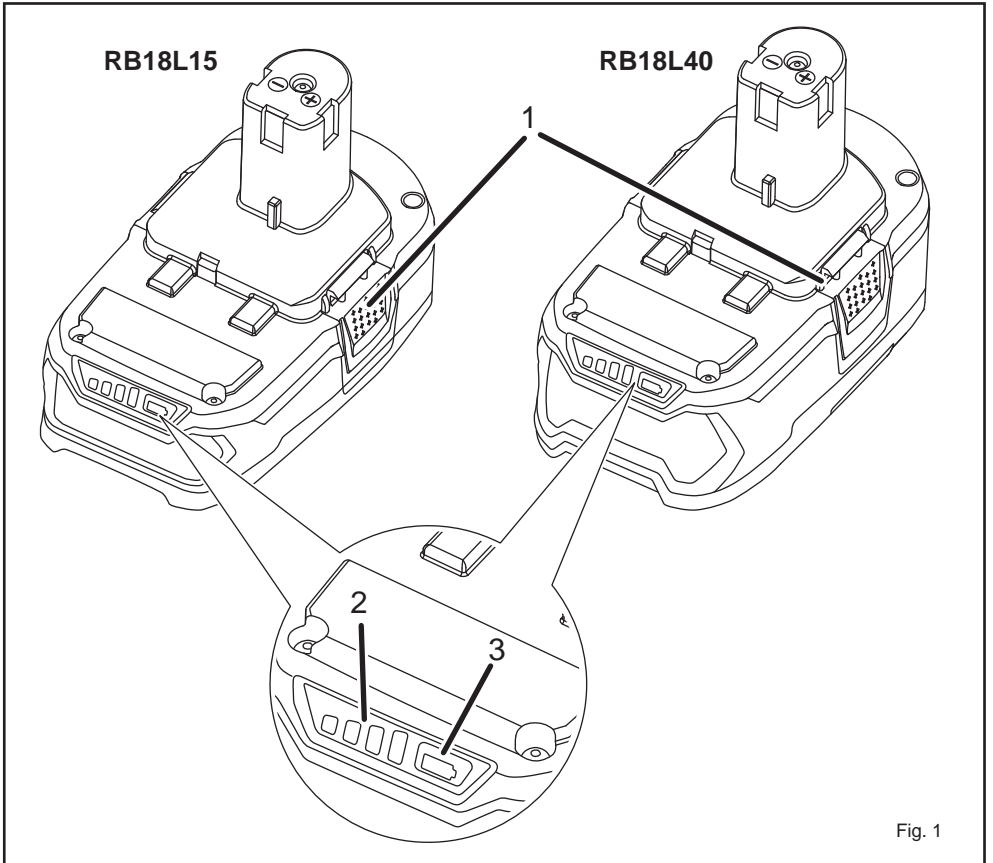


Fig. 1

## **Important!**

It is essential that you read the instructions in this manual before operating this machine.

Subject to technical modifications.

## Save all warnings and instructions for future reference.

The term "power tool" in the warnings refers to your mains-operated (corded) power tool or battery operated (cordless) power tool.

## SAFETY INSTRUCTIONS

The product is not intended for use by persons (including children) with reduced physical, sensory or mental capabilities, or lack of experience and knowledge, unless they have been given supervision or instruction concerning use of the product by a person responsible for their safety. Children should be supervised to ensure that they do not play with the product.

Please read and observe these instructions before using the product.

- When battery pack is not in use, keep it away from other metal objects such as paper clips, coins, keys, nails, screws or other small metal objects that can make a connection from one terminal to another. Shorting the battery terminals together may cause sparks, burns or fire.
- Do not place battery tools or their batteries near fire or heat. This will reduce the risk of explosion and possible injury.
- Do not crush, drop or damage battery pack. Do not use a battery pack or charger that has been dropped or received a sharp blow. A damaged battery is subject to explosion. Properly dispose of a dropped or damaged battery immediately.
- Batteries can explode in the presence of a source of ignition, such as a pilot light. To reduce the risk of serious personal injury, never use any cordless product in the presence of open flame. An exploded battery can propel debris and chemicals. If exposed, flush with water immediately.
- Do not charge battery tool in a damp or wet location. Following this rule will reduce the risk of electric shock.
- For best results, charge the battery tool in a location where the temperature is more than 10°C but less than 37°C. To reduce the risk of serious personal injury, do not store outside or in vehicles.
- Under extreme usage or temperature conditions, battery leakage may occur. If liquid comes in contact with the skin, wash immediately with soap and water, then neutralize with lemon juice or vinegar. If liquid gets into the eyes, flush them with clean water for at least 10 minutes, then seek immediate medical attention. Following this rule will reduce the risk of serious personal injury.

## OPERATION

Use the battery pack for Ryobi One+ 18V cordless products only.

## BATTERY PROTECTION FEATURES

Ryobi One+ 18V lithium-ion battery packs are designed with features that monitor and protect the lithium-ion cells (active, standby, shut off and sleep modes ) and maximize battery life.

- The tool may stop during use to prevent overheating or overloading of the battery (active mode). In this case, release the trigger to reset and resume operation.
- If this does not reactivate the tool, the battery is completely discharged (stand-by or sleep mode) and needs to be charged in a compatible charger.
- The battery can be recharged in stand-by or sleep mode. It is not necessary to completely discharge the battery pack before recharging.

**NOTE:** A completely discharged battery (sleep mode) needs reactivation before the charging process begins. To reactivate a battery in sleep mode, place the battery in the charger and wait for 90 seconds. If the charging process does not begin, please remove the battery and wait for 30 seconds. Then start a second attempt to re-activate the battery by placing it in the charger. If the charging process does not begin after 3 attempts, the battery may be faulty. In this case, have the battery serviced by a qualified repair person using only identical replacement parts.

**NOTE:** The LED charge indicator light will not work if the battery protection feature has caused the battery pack to stop powering the tool (sleep mode). When the charger resets the battery pack, the LED will again function.

- The One+ 18V lithium-ion battery packs are equipped with an additional SHUT-OFF mode, minimizing self-discharge of the battery while the battery is not in use. It will be reactivated automatically when used with a tool or by pressing the LED gauge.

**NOTE:** In SHUT-OFF mode, the battery will show low voltage when tested with a volt-meter. Use the battery in a tool or press the LED gauge for read-out of the actual voltage.

## COLD WEATHER OPERATION

The lithium-ion battery pack can be used in temperatures down to -10°C. Put the battery pack on a tool and use the tool in light duty application. After a while, the battery pack will warm up and begin operating normally.

## CHARGING THE BATTERY PACK

Battery packs are shipped in a low charge condition to prevent possible problems. Therefore, they should be charged prior to first use.

**NOTE:** If the charger does not charge the battery pack

under normal circumstances, return both the battery pack and charger to the nearest Ryobi authorised service centre for electrical check.

Battery pack	Compatible charger (not included)
RB18L15	BCL-1418
RB18L40	BCL14181H
RB18LL40	BCL14183H
	BCL1418IV*
	BCS-618
	BCL1800
	BCS618G

\* for vehicles' 12V DC outlets

## ⚠ WARNING

Only charge in compatible 18V chargers. Use of other chargers may result in fire, damage or serious personal injury.

- Press down on the battery pack to ensure contacts on the battery pack engage properly with the contacts in the charger.
- Connect the charger to the power supply. Make sure it is the required power supply.
- Make sure the latches on each side of the battery pack snap into place and the battery pack is secured in the charger before beginning operation.
- Place the battery pack in the charger aligning raised rib on the battery pack with the groove in the charger.
- The battery pack will become slightly warm to the touch while charging. This is normal and does not indicate a problem.

**NOTE:** Do not place the charger and battery pack in an area of extreme heat or cold. They will work best at normal room temperature.

- Place charger on hard surface not soft (carpet, etc.), when charging batteries.
- When batteries become fully charged, unplug the charger from power supply and remove the battery pack.
- To remove battery pack from the charger, depress the latches on each side of the battery pack.
- After normal usage, a minimum of 1 hour charging time is required to fully recharge the battery pack.

## CHARGING A HOT BATTERY PACK

When using a tool continuously, the battery pack will become hot. A hot battery pack should be let to cool before

attempting to recharge. When a hot battery pack is placed on the charger, the charger may indicate the battery pack is not ready to charge. When the battery pack cools, the charger will automatically begin charging.

## CHARGING A COOL BATTERY PACK

If the battery is below normal temperature range, the red LED will begin flashing and the green LED will be off. When the battery warms to a temperature of more than 0°C, the charger will automatically begin charge mode.

## CHARGE STATUS

See Fig. 1.

To display the amount of charge left in the battery, press the Charge level indicator button.

Charge level indicator	Amount of charge left
	0-10%
	10-25%
	25-50%
	50-75%
	75-100%

## MAINTENANCE

The batteries have been designed to provide maximum trouble-free life. However, like all batteries, they will eventually wear out. **DO NOT** disassemble battery pack and attempt to replace the batteries. Handling of these batteries, especially when wearing rings and jewellery, could result in serious burns.

To obtain the longest possible battery life, remove the battery pack from the charger once it is fully charged and ready for use.

## STORAGE

For battery storage longer than 30 days:

- Store the battery pack where the temperature is below 27°C.

- Store battery packs in a "charged" condition (minimum of 30%-50% charged).
- To charge the battery pack after a six months storage period, it is recommended to discharge the battery about 10%-20% (by running it in a tool) and charge afterwards to maximize the battery lifetime.

### ENVIRONMENTAL PROTECTION



Recycle raw materials instead of disposing as waste. Please recycle where facilities exist. Check with your local authority or retailer for recycling advice.

### **⚠ WARNING**

Upon removal, cover the battery pack's terminals with heavy-duty adhesive tape. Do not attempt to destroy or disassemble battery pack or remove any of its components. Batteries must be recycled or disposed of properly. Also, never touch both terminals with metal objects and/or body parts as short circuit may result. Keep away from children. Failure to comply with these warnings could result in fire and/or serious injury.

**Techtronic Industries (Australia) Pty. Ltd.**  
Level 1, 660 Doncaster Road  
Doncaster, VIC 3108, Australia

**Techtronic Industries New Zealand Ltd.**  
27 Clemow Drive  
Mt. Wellington, Auckland 1060, New Zealand