



REGISTER YOUR TOOLS



For quick tool registration and service – scan and download the RYOBI app.

<http://register.ryobitools.com>

1-800-525-2579

OPERATOR'S MANUAL

MANUEL D'UTILISATION MANUAL DEL OPERADOR

20 in. 40V BRUSHLESS LAWN MOWER

20 po (508 mm) TONDEUSE À GAZON
DE 40 V SANS BALAIS

20 pulg. (508 mm) CORTACÉSPED SIN
ESCOBILLAS DE 40 V

RY40HPLM06

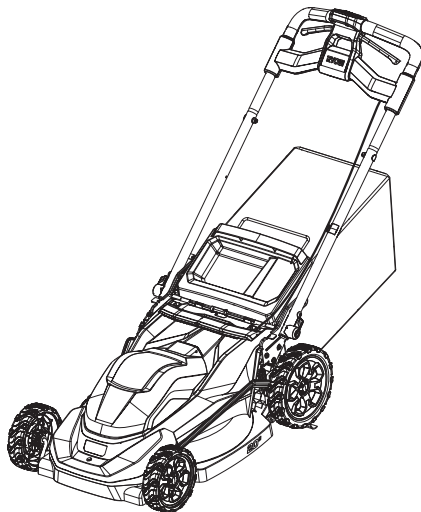


TABLE OF CONTENTS

- Lawn Mower Safety Warnings..... 2-3
- Specific Safety Instructions.....4-5
- Symbols..... 5-6
- Features..... 7
- Assembly..... 8-9
- Operation..... 9-11
- Maintenance..... 12-13
- Accessories.....14
- Troubleshooting..... 15
- Parts Ordering and Service Back Page

TABLE DES MATIÈRES

- Avertissements de sécurité pour les tondeuses 2-4
- Instructions de sécurité particulière.....4-6
- Symboles..... 6-7
- Caractéristiques 8
- Assemblage..... 9-10
- Utilisation..... 11-12
- Entretien 13-14
- Accessoires.....15
- Dépannage 16
- Commande de pièces et réparation.....Page arrière

ÍNDICE DE CONTENIDO

- Advertencias de seguridad de la podadora..... 2-4
- Instrucciones de seguridad específicas 4-6
- Símbolos 6-7
- Características..... 8
- Armado..... 9-10
- Funcionamiento..... 11-12
- Mantenimiento..... 13-14
- Accesorios.....15
- Corrección de problemas..... 16
- Pedidos de piezas y servicio Pág. posterior

WARNING: To reduce the risk of injury, the user must read and understand the operator's manual before using this product.

AVERTISSEMENT : Pour réduire les risques de blessures, l'utilisateur doit lire et veiller à bien comprendre le manuel d'utilisation avant d'employer ce produit.

ADVERTENCIA: Para reducir el riesgo de lesiones, el usuario debe leer y comprender el manual del operador antes de usar este producto.

**SAVE THIS MANUAL FOR
FUTURE REFERENCE**

**CONSERVER CE MANUEL
POUR FUTURE RÉFÉRENCE**

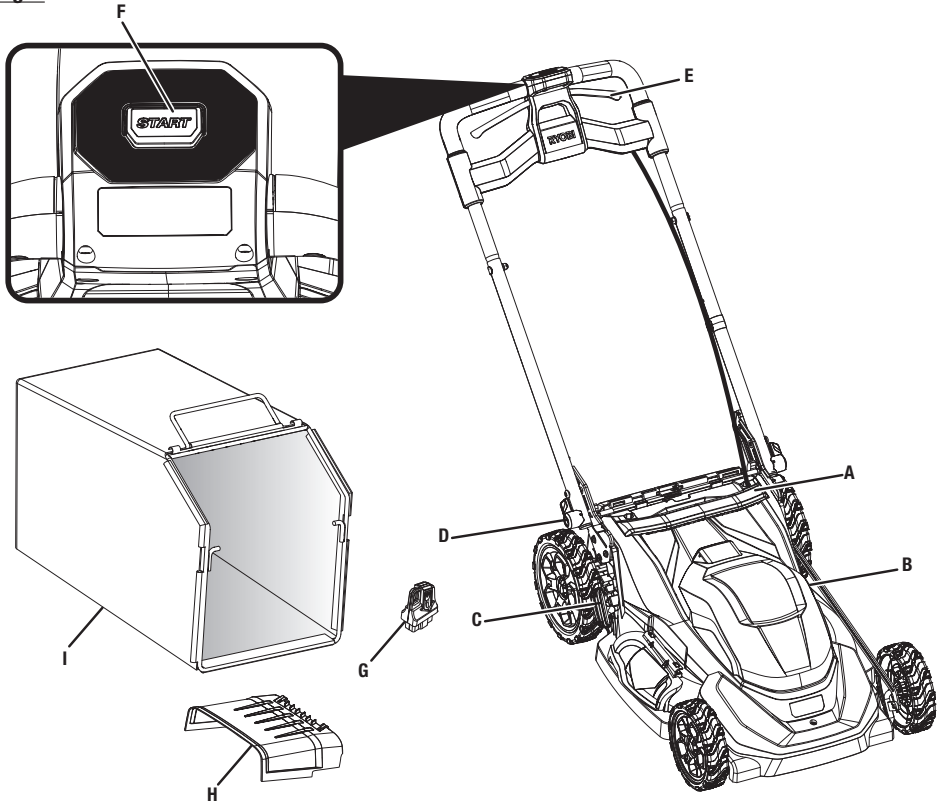
**GUARDE ESTE MANUAL
PARA FUTURAS CONSULTAS**

See this fold-out section for all of the figures referenced in the operator's manual.

Consulter l'encart à volets afin d'examiner toutes les figures mentionnées dans le manuel d'utilisation.

Consulte esta sección desplegable para ver todas las figuras a las que se hace referencia en el manual del operador.

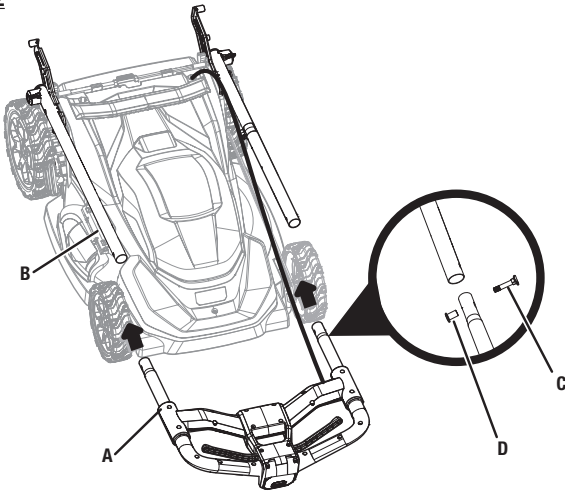
Fig. 1



A - Carrying/lifting handle (poignée de transport/soulèvement, mango de transporte/elevación)
B - Battery cover (couvercle des piles, tapa de las baterías)
C - Height adjustment handle (poignée de réglage de hauteur, mango de ajuste de altura)
D - Handle lock lever (levier de verrou de la poignée, palanca de seguro del mango)

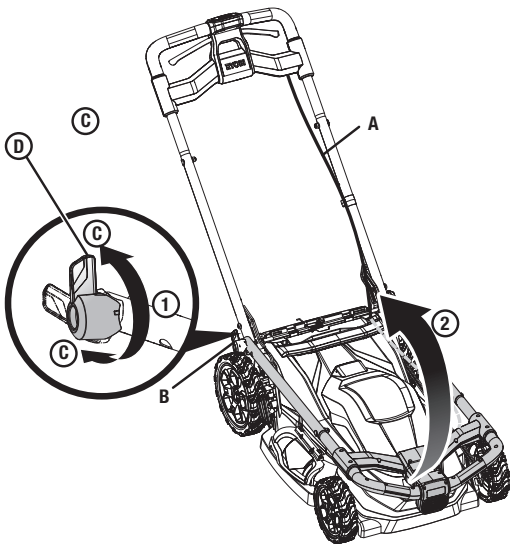
E - Bail (anse, asa)
F - Start button (bouton de démarrage, botón de arranque)
G - Start key (clé de démarrage, llave del arranque)
H - Side discharge chute (chute de décharge latérale, vertedor de descarga lateral)
I - Grass catcher (collecteur d'herbe, receptor de hierba)

Fig. 2



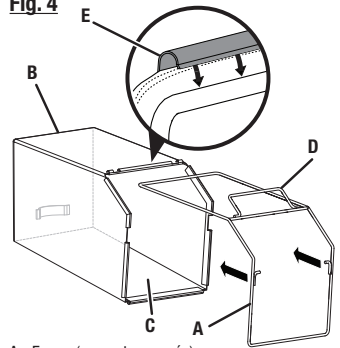
- A - Upper handle (poignée à deux positions, mango de 2 posiciones)
- B - Lower Handle (levier de réglage de la poignée, palanca de ajuste del mango)
- C - Carriage Bolt (boulon de carrosserie, perno de carruaje)
- D - Nut (écrou, tuerca)

Fig. 3



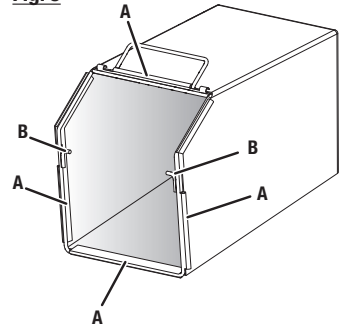
- A - Starter cable (câble de démarreur, cable del arrancador)
- B - Handle lock lever (levier de verrou de la poignée, palanca de seguro del mango)
- C - To unlock (pour déverrouiller, para desbloquear)
- D - To lock (pour verrouiller, para asegurar)

Fig. 4



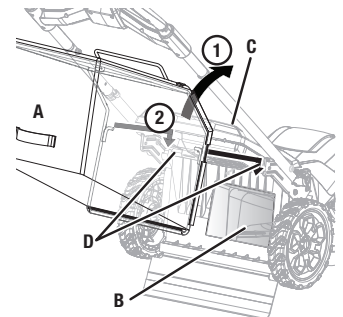
- A - Frame (support, armazón)
- B - Bag (sac, bolsa)
- C - Vinyl floor (plancher en vinyle, piso de vinilo)
- D - Handle (poignée, mango)
- E - Clip (attache, clip)

Fig. 5



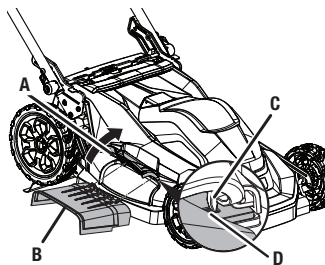
- A - Clips (attaches, clips)
- B - Hooks (crochets, ganchos)

Fig. 6



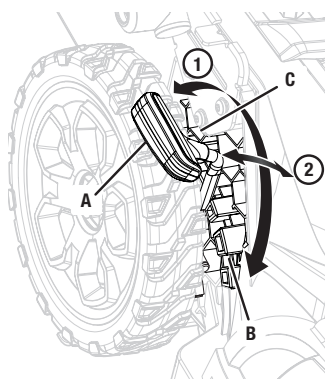
- A - Grass catcher handle (poignée de collecteur d'herbe, mango del receptor de hierba)
- B - Rear discharge opening (ouverture d'éjection latérale, abertura de descarga lateral)
- C - Rear discharge door (couverture d'éjection arrière, puerta de descarga posterior)
- D - Hooks (crochets, ganchos)

Fig. 7



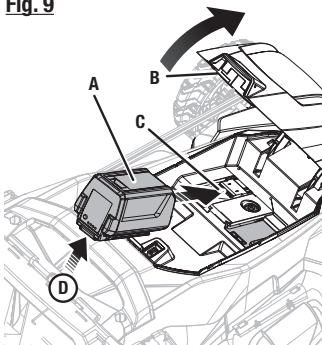
- A - Mulch cover (couverture broyeur, tapa para trituración)
- B - Side discharge chute (chute de décharge latérale, vertedor de descarga lateral)
- C - Tab (languette, lengüeta)
- D - Notch (encoche, muesca)

Fig. 8



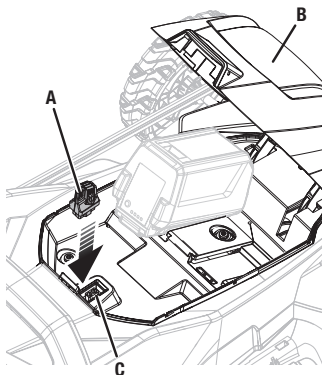
- A - Height adjustment handle (poignée de réglage de hauteur, mango de ajuste de altura)
- B - Lowest blade setting (le plus bas réglage de la lame, ajuste más bajo de la hoja)
- C - Highest blade setting (le plus haut réglage de la lame, ajustes de cuchilla más alto)

Fig. 9



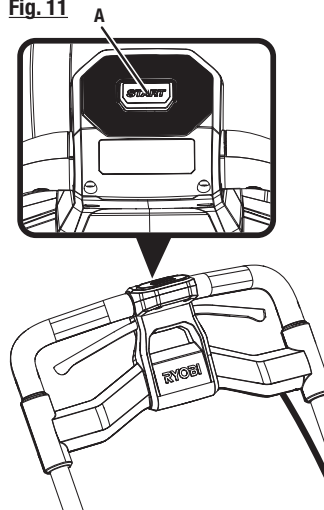
- A - Battery pack (bloc-piles, paquets de batteries)
- B - Battery cover (couverture des piles, tapa de las baterías)
- C - Battery port (logement de piles, compartiment de la batterie)
- D - Latch (loquet, pestillo)

Fig. 10



- A - Start key (clé de démarrage, llave del arranque)
- B - Battery cover (couverture des piles, tapa de las baterías)
- C - Start key slot (fente de la clé de démarrage, ranura de la llave del arranque)

Fig. 11



- A - Start button (bouton de démarrage, botón de arranque)

Fig. 12

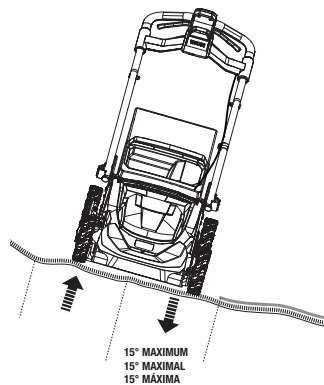
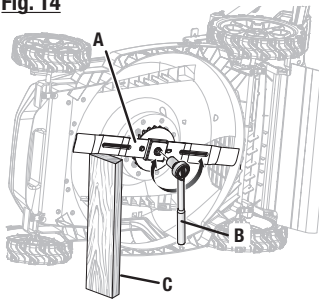


Fig. 13

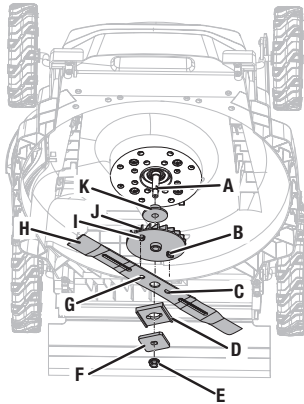


Fig. 14



- A - Blade (lame, hoja)
- B - Wrench (clé, llave)
- C - Block of wood (pièce de bois, bloque de madera)

Fig. 15



- A - Shaft (arbre, eje)
- B - Blade post (half circle) [tige pour lame (demi-cercle), puerto de la hoja (semicircular)]
- C - Blade hole (half circle) [trou pour lame (demi-cercle), orificio de la hoja (semicircular)]
- D - Blade insulator (isolant de lame, aislante de hoja)
- E - Blade nut (écrou de lame, tuerca de la hoja)
- F - Spacer (entretoise, separador)
- G - Blade hole (square) [trou pour lame (carré), orificio de la hoja (cuadrada)]
- H - Blade (lame, hoja)
- I - Blade post (half circle) [tige pour lame (demi-cercle), puerto de la hoja (semicircular)]
- J - Hub (arbre, eje)
- K - Adaptor (adaptateur, adaptador)

Fig. 16

**TO STORE THE MACHINE
IN THE HORIZONTAL POSITION
POUR REMISER L'ÉQUIPEMENT
EN POSITION HORIZONTALE
PARA GUARDAR LA MÁQUINA
EN POSICIÓN HORIZONTAL**

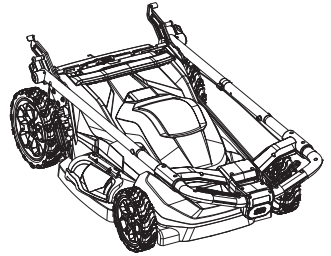
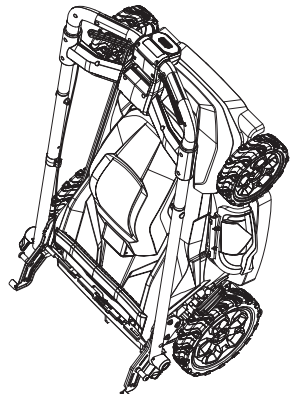


Fig. 17

**TO STORE THE MACHINE
IN THE VERTICAL POSITION
POUR REMISER L'ÉQUIPEMENT
EN POSITION VERTICALE
PARA GUARDAR LA MÁQUINA
EN POSICIÓN VERTICAL**



LAWN MOWER SAFETY WARNINGS

WARNING:

Read all safety warnings, instructions, illustrations and specifications provided with this lawn mower. Failure to follow all instructions listed below may result in electric shock, fire, and/or serious personal injury.

SAVE ALL WARNINGS AND INSTRUCTIONS FOR FUTURE REFERENCE

WORK AREA SAFETY

- **To avoid bystander contact with the moving blade or a thrown object injury**, keep the area of operation clear of all bystanders, particularly small children. **Stop the lawn mower and any attachment(s) if anyone enters the area.** Contact with the moving blade or thrown objects may result in serious personal injury or death.
- **Only operate the lawn mower in daylight or good artificial light.** Dark areas invite accidents.
- **Do not operate lawn mowers in explosive atmospheres, such as in the presence of flammable liquids, gases or dust.** Lawn mowers create sparks which may ignite the dust or fumes.
- **Do not use the lawn mower in bad weather conditions, especially when there is a risk of lightning.** This decreases the risk of being struck by lightning.
- **Thoroughly inspect the area where the lawn mower is to be used and remove all stones, sticks, wires, bones, and other foreign objects.** Thrown objects can cause personal injury.

ELECTRICAL SAFETY

- **Do not expose the lawn mower in rain or wet conditions.** Water entering a lawn mower may increase the risk of electric shock.

PERSONAL SAFETY

- **Use personal protective equipment. Always wear eye protection.** Protective equipment will reduce personal injuries.
- **Dress properly. Do not wear loose clothing or jewelry. Keep your hair and clothing away from moving parts.** Loose clothes, jewelry or long hair can be caught in moving parts.
- **While operating the lawn mower, always wear long trousers.** Exposed skin increases the likelihood of injury from thrown objects.
- **While operating the lawn mower, always wear non-slip and protective footwear. Do not operate the lawn mower when barefoot or wearing open sandals.** This reduces the chance of injury to the feet from contact with the moving blade.

- **Prevent unintentional starting. Ensure the switch is in the off-position before connecting to power source and/or batteries, picking up or carrying the lawn mower.** Carrying a lawn mower with your finger on the switch or energizing a lawn mower that has the switch on invites accidents.
- **Remove any adjusting key or wrench before turning the lawn mower on.** A wrench or a key left attached to a rotating part of the lawn mower may result in personal injury.
- **Keep proper footing and balance at all times.** This enables better control of the lawn mower in unexpected situations.
- **Stay alert, watch what you are doing and use common sense when operating a lawn mower. Do not use a lawn mower while you are tired or under the influence of drugs, alcohol or medication.** A moment of inattention while operating a lawn mower may result in serious personal injury.
- **Do not let familiarity gained from frequent use of lawn mower allow you to become complacent and ignore lawn mower safety principles.** A careless action can cause severe injury within a fraction of a second.
- **To avoid operator blade contact or a thrown object injury, stay in the operator zone behind the lawn mower handles.** Blade contact or thrown objects may result in serious personal injury.
- **Do not touch blades and other hazardous moving parts while they are still in motion.** This reduces the risk of injury from moving parts.

LAWN MOWER USE AND CARE

- **Use the lawn mower and accessories in accordance with these instructions, taking into account the working conditions and the work to be performed.** Use of the lawn mower for operations different from those intended may result in a hazardous situation.
- **Before using the lawn mower, always visually inspect to see that the blade(s) and the blade(s) assembly are properly secured and not worn or damaged.** Loose, worn, or damaged parts may increase the risk of injury.
- **Keep guards and other safety devices in place, properly mounted, and in working order.** A guard or other safety device that is loose, damaged, or is not functioning correctly may result in personal injury.
- **Keep all cooling air inlets clear of debris.** Blocked air inlets and debris may result in overheating or risk of fire.
- **Do not use the lawn mower if the switch does not turn it on and off.** Any lawn mower that cannot be controlled with the switch is dangerous and must be repaired.
- **Do not operate the lawn mower in wet grass. Walk, never run.** This reduces the risk of slipping and falling which may result in personal injury.

LAWN MOWER SAFETY WARNINGS

- **Do not operate the lawn mower on excessively steep slopes.** This reduces the risk of loss of control, slipping and falling which may result in personal injury.
- **Do not force the lawn mower. Use the correct lawn mower for your application.** The correct lawn mower will do the job better and safer at the rate for which it was designed.
- **Be aware of the mower and attachment discharge direction and do not point the mower discharge at anyone.** Thrown objects can cause personal injury.
- **Use extreme caution when reversing or pulling the lawn mower towards you. Always be aware of your surroundings.** This reduces the risk of tripping during operation.
- **When working on slopes, always be sure of your footing, always work across the face of slopes, never up or down and exercise extreme caution when changing direction.** This reduces the risk of loss of control, slipping and falling which may result in personal injury.
- **Operate the disabling device and/or remove all battery packs, if removable, from the lawn mower before making any adjustments, changing accessories, or storing the lawn mower.** Such preventive safety measures reduce the risk of starting the lawn mower accidentally.
- **Keep handles and grasping surfaces dry, clean and free from oil and grease.** Slippery handles and grasping surfaces do not allow for safe handling and control of the lawn mower in unexpected situations.
- **Check the grass catcher frequently for wear or deterioration.** A worn or damaged grass catcher may increase the risk of personal injury.
- **Before removing the grass catcher, turn off the motor and wait until the blade(s) comes to a complete stop. The cutting blade(s) continues to rotate after the blade control is released. Never place any part of the body in the blade(s) area until you are certain the motor is off and the blade(s) has stopped rotating.** Contact with the moving cutting blade(s) may result in serious personal injury.
- **Before unclogging the chute, turn off the motor, wait until the blade(s) comes to a complete stop, operate the disabling device and/or remove all batteries, if removable. The cutting blade(s) continues to rotate after the blade control is released. Never place any part of the body in the blade(s) area until you are certain the motor is off and the blade(s) has stopped rotating.** Contact with the moving cutting blade(s) may result in serious personal injury.
- **Before cleaning or inspecting the lawn mower, turn off the motor, wait until the blade(s) comes to a complete stop, operate the disabling device and/or remove all batteries, if removable. Accidental contact with the moving blade and moving parts may result in personal injury.**

- **Maintain the lawn mower and accessories. Check for misalignment or binding of moving parts, breakage of parts and any other condition that may affect the lawn mower's operation. If damaged, have the lawn mower repaired before use.** Many accidents are caused by poorly maintained lawn mowers.
- **Store idle lawn mowers out of the reach of children and do not allow persons unfamiliar with the lawn mower or these instructions to operate the lawn mower.** Lawn mowers are dangerous in the hands of untrained users.

BATTERY LAWN MOWER USE AND CARE

- **Use lawn mowers only with specifically designated battery packs.** Use of any other battery packs may create a risk of injury and fire.
- **Recharge only with the charger specified by the manufacturer.** A charger that is suitable for one type of battery pack(s) may create a risk of fire when used with another battery pack(s).
- **Follow all charging instructions and do not charge the battery pack(s) or lawn mower outside the temperature range specified in the instructions.** Charging improperly or at temperatures outside the specified range may damage the battery and increase the risk of fire.
- **Do not use a battery pack or lawn mower that is damaged or modified.** Damaged or modified batteries may exhibit unpredictable behavior resulting in fire, explosion or risk of injury.
- **Do not expose a battery pack(s) or lawn mower to fire or excessive temperature.** Exposure to fire or temperature above 265 °F may cause explosion.
- **Under abusive conditions, liquid may be ejected from the battery(ies); avoid contact. If contact accidentally occurs, flush with water. If liquid contacts eyes, additionally seek medical help.** Liquid ejected from the battery(ies) may cause irritation or burns.
- **When battery packs are not in use, keep them away from other metal objects, like paper clips, coins, keys, nails, screws or other small metal objects that can make a connection from one terminal to another.** Shorting the battery terminals together may cause burns or a fire.

SERVICE

- **Have your lawn mower serviced by a qualified repair person using only identical replacement parts. This will ensure that the safety of the lawn mower is maintained.** Use of parts which do not meet the original equipment specifications may lead to improper performance and compromise safety.
- **Never service damaged battery packs.** Service of battery packs should only be performed by the manufacturer or authorized service providers.

SPECIFIC SAFETY INSTRUCTIONS




- This cutting machine is capable of amputating hands and feet and throwing objects. Failure to observe all safety instructions could result in serious injury or death.
- Avoid dangerous environment – Do not use the lawn mower in damp or wet conditions or operate in the rain.
- Keep children away – Keep all bystanders, children, and pets at least 100 ft. away. Stop machine if anyone enters the area.
- Tragic accidents can occur if the operator is not alert to the presence of children. Children are often attracted to the machine and the mowing activity. Never assume that children will remain where you last saw them.
 - Keep children out of the mowing area and under the watchful care of a responsible adult other than the operator.
 - Be alert and turn mower off if a child enters the area.
 - Never allow children to operate the machine.
 - Use extra care when approaching blind corners, shrubs, trees, or other objects that may block your view of a child.
- Don't overreach – Keep proper footing and balance at all times. Overreaching can result in loss of balance.
- Do not leave the mower unattended while running or with the start key installed.
- Keep hands and feet away from cutting area. Keep clear of the discharge opening at all times.
- Use safety glasses – Always wear eye protection with side shields marked to comply with ANSI Z87.1. Use face mask if operation is dusty.
- Do not charge batteries in rain, or in wet locations.
- Maintain lawn mower with care – Keep machine in good working condition. Keep blades sharp and guards in place and in working order. Replace damaged or unevenly worn blades before using mower for best performance.
- Check all nuts, bolts, and screws at frequent intervals for proper tightness to be sure the equipment is in safe working condition. Mower blades are sharp. Wrap the blade or wear gloves, and use extra caution when servicing them.
- Do not dispose of the battery in a fire. The cell may explode. Check with local codes for possible special disposal instructions.
- **Never use a hose, water, or any liquids to clean or rinse off the lawn mower.** Corrosive liquids, water, fertilizers, and chemicals used to treat lawns can enter the lawn mower and/or battery compartment and damage electronic components and/or the battery pack, which can result in a short circuit, increased risk of fire, and serious personal injury. Remove any buildup of grass and leaves on or around the mower housing and/or underneath the mower deck. Wipe the mower clean with a dry cloth occasionally.
- Replace blade if it is bent or cracked. An unbalanced blade causes vibration that could damage the motor drive unit or cause personal injury. Sharpen a dull blade equally at each end to maintain the balance. Clean the blade thoroughly and check its balance by supporting it horizontally on a thin nail through its center hole. The nail should be in a horizontal position. If either end of the blade rotates downward, remove some metal from the heavy or lower end until the blade is balanced. It is balanced when neither end drops.
- Always use safety protective devices. Do not operate the mower without the entire grass catcher or mulching plug and rear discharge door in place and working properly.
- Do not open or mutilate the battery. Released electrolyte is corrosive and may cause damage to the eyes or skin. It may be toxic if swallowed.
- Follow manufacturer's instructions for proper operation and installation of accessories. Only use accessories approved by the manufacturer.
- Exercise care in handling batteries in order not to short the battery with conducting materials such as rings, bracelets, and keys. The battery or conductor may overheat and cause burns.
- When battery pack is not in use, keep it away from other metal objects, like paper clips, coins, keys, nails, screws or other small metal objects, that can make a connection from one terminal to another. Shorting the battery terminals together may cause burns or a fire.
- Do not modify or attempt to repair the appliance or the battery pack (as applicable) except as indicated in the instructions for use and care.
- Avoid holes, ruts, bumps, rocks, property stakes, or other hidden objects. Uneven terrain could cause a slip and fall accident.
- Do not mow near drop-offs, ditches, or embankments.
- Mow across the face of slopes, never up and down. Exercise extreme caution when changing direction on slopes.
- Plan your mowing pattern to avoid discharge of material toward roads, sidewalks, bystanders and the like. Also, avoid discharging material against a wall or obstruction, which may cause the material to ricochet back toward the operator.
- Do not mow on wet grass or excessively steep slopes. Poor footing could cause a slip and fall accident. Walk, never run.
- Use extra care when approaching blind corners, shrubs, trees, or other objects that may block your view.
- Do not pull the mower backward unless absolutely necessary. If you must back the mower away from a wall or obstruction, first look down and behind to avoid tripping or pulling the mower over your feet.

SPECIFIC SAFETY INSTRUCTIONS

- Never direct discharged material toward anyone. Avoid discharging material against a wall or obstruction. Material may ricochet back toward the operator. Stop the blade when crossing gravel surfaces.
- Objects struck by the lawn mower blade can cause severe injuries to persons. The lawn should always be carefully examined and cleared of all objects prior to each mowing.
- If the lawn mower strikes a foreign object, follow these steps:
 - Stop the lawn mower by releasing the blade control lever, wait until the blade comes to a complete stop, and then remove start key.
 - Thoroughly inspect the mower for any damage.
 - Replace the blade if it is damaged in any way. Repair any damage before restarting and continuing to operate the mower.
- If the mower should start to vibrate abnormally, stop the motor, remove the start key, and check immediately for the cause. Replace the blade if it is unevenly worn or damaged in any way. Vibration is generally a warning of trouble.
- Service on the product must be performed by qualified repair personnel only. Service or maintenance performed by unqualified personnel could result in injury to the user or damage to the product.
- The grass catcher assembly is subject to deterioration and wear and should be checked each time the mower is used. If replacement is needed, make sure the new grass catcher meets original manufacturer's recommendations and specifications.
- Battery tools do not have to be plugged into an electrical outlet; therefore, they are always in operating condition. Be aware of possible hazards when not using your battery tool or when changing accessories. Following this rule will reduce the risk of electric shock, fire, or serious personal injury.
- **Use this product only with batteries and chargers listed in tool/appliance/battery pack/charger correlation supplement 988000-842.**
- Store idle lawn mower indoors – When not in use, mower should be stored indoors in a dry, locked place out of the reach of children. The start key and battery packs should also be removed and stored in a separate location out of the reach of children.
- Follow instructions for lubricating and changing accessories.
- Only allow responsible adults, who are familiar with the instructions, to operate this machine.
- Never operate machine in a closed area.
- Never tamper with safety devices. Check for proper operation regularly.
- Do not store battery packs or lawn mower in locations where the temperature is less than 50° F or more than 100° F. Do not store outside or in vehicles.
- Do not use lawn mower in locations where the temperature is less than 40° F or more than 104° F.
- **Save these instructions.** Refer to them frequently and use them to instruct others who may use this product. If you loan someone this tool, loan them these instructions also.














SYMBOLS

The following signal words and meanings are intended to explain the levels of risk associated with this product.

SYMBOL	SIGNAL	MEANING
	DANGER:	Indicates a hazardous situation, which, if not avoided, will result in death or serious injury.
	WARNING:	Indicates a hazardous situation, which, if not avoided, could result in death or serious injury.
	CAUTION:	Indicates a hazardous situation, that, if not avoided, may result in minor or moderate injury.
	NOTICE:	(Without Safety Alert Symbol) Indicates information considered important, but not related to a potential injury (e.g. messages relating to property damage).

SYMBOLS

Some of the following symbols may be used on this product. Please study them and learn their meaning. Proper interpretation of these symbols will allow you to operate the product better and safer.

SYMBOL	NAME	DESIGNATION/EXPLANATION
	Safety Alert	Indicates a potential personal injury hazard.
	Read Operator's Manual	To reduce the risk of injury, user must read and understand operator's manual before using this product.
	Eye Protection	Always wear eye protection with side shields marked to comply with ANSI Z87.1.
	Wet Conditions Alert	Risk of fire and burns. Do not expose battery, battery compartment, or electronic components to rain, water, or liquids. Close cover during use. Do not operate on wet ground.
	Electric Shock	Failure to use in dry conditions and to observe safe practices can result in electric shock.
	Keep Hands and Feet Away	Keep hands and feet away from blade and cutting area.
	No Reach	Do not reach hands or feet under mower deck.
	No Slope	Do not operate on inclines greater than 15°. Mow across the face of slopes, never up and down.
	WARNING: Beware of thrown objects – keep bystanders away	Keep all children and bystanders at least 100 ft. away.
	Ricochet	Thrown objects can ricochet and result in personal injury or property damage.
	Disconnect battery before maintenance	To reduce the risk of injury, user must remove the battery prior to performing service or maintenance on the product.
	Recycle Symbol	This product uses lithium-ion (Li-ion) batteries. Local, state, or federal laws may prohibit disposal of batteries in ordinary trash. Consult your local waste authority for information regarding available recycling and/or disposal options.
	Direct Current	Type or a characteristic of current
V	Volts	Voltage
A	Amperes	Current
Hz	Hertz	Frequency (cycles per second)
W	Watt	Power
hrs	Hours	Time

FEATURES

PRODUCT SPECIFICATIONS

Motor.....	40V DC
Deck Size.....	.20 in.
Height Adjustments.....	.1 in. to 4 in.
Wheel Size.....	.8 in. front, 10 in. rear

KNOW YOUR LAWN MOWER

See *Figure 1*.

The safe use of this product requires an understanding of the information on the product and in this operator's manual as well as a knowledge of the project you are attempting. Before use of this product, familiarize yourself with all operating features and safety rules.

BATTERY COVER

The battery cover protects the battery port from moisture and debris.

BATTERY STORAGE COMPARTMENT

The battery storage compartment offers a convenient place for storing your battery or to store an extra battery pack.

BRUSHLESS MOTOR

This product features a brushless motor that maximizes power and performance as well as battery run time.

GRASS CATCHER

The grass catcher collects grass clippings and prevents them from being discharged across your lawn as you mow.

NOTE: Ensure the mulch door is set to bagging prior to use.

HEIGHT ADJUSTMENT HANDLE

The height adjustment handle provides cutting height adjustments.

SIDE DISCHARGE CHUTE

The side discharge chute directs the clippings out of the mower deck when the grass is too tall for mulching. The mulch door should be closed for optimal side discharge performance.

START BUTTON AND BAIL

The start button and bail are located on the upper handle of the mower. Engage the bail then depress the start button to start the motor and blade. Release the bail to stop the motor.

START KEY

The start key must be inserted before the mower can be started.

TILT SENSOR

The tilt sensor prevents the unit from starting if it is in a vertical position or tilted at an angle greater than 45°.

VERTICAL STORAGE CAPABILITY

The folding handles allow for compact, upright storage in your garage.

ASSEMBLY

UNPACKING

This product requires assembly.

- Carefully remove the product and any accessories from the box. Make sure that all items listed in the **Packing List** are included.

WARNING:

Do not use this product if any parts on the **Packing List** are already assembled to your product when you unpack it. Parts on this list are not assembled to the product by the manufacturer and require customer installation. Use of a product that may have been improperly assembled could result in serious personal injury.

- Inspect the product carefully to make sure no breakage or damage occurred during shipping.
- Do not discard the packing material until you have carefully inspected and satisfactorily operated the product.
- If any parts are damaged or missing, please call 1-800-525-2579 for assistance.

PACKING LIST

Lawn Mower

Start Key

Grass Catcher Bag and Frame

Side Discharge Chute

Carriage Bolt (2)

Nut (2)

Wrench

Operator's Manual

WARNING:

If any parts are damaged or missing, do not operate this product until the parts are replaced. Use of this product with damaged or missing parts could result in serious personal injury.

WARNING:

Do not attempt to modify this product or create accessories not recommended for use with this product. Any such alteration or modification is misuse and could result in a hazardous condition leading to possible serious personal injury.

WARNING:

Do not insert start key or battery packs until assembly is complete and you are ready to mow. Failure to comply could result in accidental starting and possible serious personal injury.

WARNING:

To prevent accidental starting, do not make any adjustments or installations with the start key or battery packs inserted. Accidental starting of the mower during assembly could result in serious personal injury.

WARNING:

Never operate the mower without the proper safety devices in place and working. Never operate the mower with damaged safety devices. Operating the mower with missing or damaged parts can result in serious personal injury.

UNFOLDING AND ADJUSTING THE HANDLE ASSEMBLY

See *Figures 2 - 3*.

NOTICE:

Do not allow the starter cable to become pinched or trapped when assembling the handle.

- The lawn mower should remain in the folded position.
- Align the holes in the upper handle with the hole in the lower handle.
- Insert the bolts into the side hole of the lower/upper handles.
- Install the nuts. Tighten securely with the included wrench.
- Repeat steps on both sides.
- Ensure the starter cable is secure in the cord clip on the handle.
- Unlock the handle lock levers.
- Pull up and back on the assembled handle until fully extended in the operating position.
- Rotate the handle lock levers to secure in place.

ASSEMBLY

ASSEMBLING THE GRASS CATCHER

See Figures 4 - 5.

- Place the grass catcher frame on a flat surface with the handle facing down.
- Orient the grass catcher bag so the vinyl floor is facing up, then slide the bag onto the frame. When installing, allow the frame handle to remain outside the bag and make sure the bag seams are located at the frame edges.
- Pull the clip over the frame rail to secure in place.
- Lift the bag's vinyl floor to the top of the frame rail and secure in place.
- Using the same method, attach the remaining clips on each side of the bag to the frame rail to secure.

INSTALLING THE GRASS CATCHER (FOR REAR BAGGING OPERATION)

See Figure 6.

- Remove start key and battery pack.
- Lift the rear discharge door.
- Lift the grass catcher by its handle and place under the rear discharge door so that the hooks on the grass catcher are seated onto the slots on the mower housing.
- Release the rear discharge door.
- Reinstall start key and battery pack when you are ready to mow.

MULCHING OPERATION

When mulching, do not install the grass catcher. The mulching door is molded into the rear discharge door. Closing the rear discharge door ensures the mower is ready for mulching operation.

INSTALLING THE SIDE DISCHARGE CHUTE

See Figure 7.

The mower comes prepared for mulching with the spring-loaded mulching cover already in place. If side discharge is desired, install the side discharge chute.

- Remove start key and battery pack.
- Lift and hold the mulching cover.
- Insert the side discharge chute as shown, aligning the two notches with the tabs on each side of the mulching cover.
- Lower the mulching cover until the tabs are seated into the notches on the side discharge chute.
- Reinstall start key and battery pack when you are ready to mow.

SETTING BLADE HEIGHT

See Figure 8.

When shipped, the blade on the mower are set to a low-cutting position. Before using the mower for the first time, raise the cutting position to the height best suited for your lawn. The average lawn should be between 1-1/2 in. to 2 in. during cool months and between 2 in. and 3-1/4 in. during hot months. Never remove more than 1/3 of the total grass length at one time in order to avoid damaging your lawn.

To adjust the blade height:

- Remove the start key and battery packs.
- To raise the blade height, grasp the height adjustment handle and move it toward the back of the mower.
- To lower the blade height, grasp the height adjustment handle and move it toward the front of the mower.
- Reinstall the start key and battery packs when you are ready to mow.

OPERATION

WARNING:

Do not allow familiarity with products to make you careless. Remember that a careless fraction of a second is sufficient to inflict serious injury.

WARNING:

Always wear eye protection with side shields marked to comply with ANSI Z87.1. Failure to do so could result in objects being thrown into your eyes resulting in possible serious injury.

OPERATION

WARNING:

Do not use any attachments or accessories not recommended by the manufacturer of this product. The use of attachments or accessories not recommended can result in serious personal injury.

WARNING:

Always inspect mower for missing or damaged parts and blades for damage, uneven, or excessive wear prior to use. Use of the mower with damaged or missing parts can result in serious personal injury.

WARNING:

Always remove battery pack and start key from your tool when you are assembling parts, making adjustments, cleaning, or when not in use. Following these instructions will prevent accidental starting that could cause serious personal injury.

NOTICE:

Before each use, inspect the entire product for damaged, missing, or loose parts such as screws, nuts, bolts, caps, etc. Tighten securely all fasteners and caps and do not operate this product until all missing or damaged parts are replaced. Please contact customer service or an authorized service center for assistance.

APPLICATIONS

You may use this product for the purpose listed below:

- Mowing your lawn

INSTALLING/REMOVING BATTERY PACK

See *Figure 9*.

- Raise the battery cover.
- Align raised ribs on battery pack with grooves in the battery port and install the battery pack into the mower.

WARNING:

Make sure the latch on the bottom of the battery pack snaps in place and the battery pack is fully seated and secure in the mower's battery port before beginning operation. Failure to securely seat the battery pack could cause the battery pack to fall out, resulting in serious personal injury.

- Lower the battery cover and make sure it is securely closed.

To remove battery pack:

- Raise the battery cover.
- Press and hold the battery latch button at the bottom of the battery pack.
- Remove battery pack from the mower.
- Lower the battery cover and make sure it is securely closed.

For complete charging instructions, refer to the Operator's Manuals for your battery packs and charger models.

WARNING:

To avoid accidental starting that could result in serious personal injury, always remove the start key when moving or transporting the mower.

STARTING/STOPPING THE MOWER

See *Figures 10 - 11*.

NOTE: Mower will not start without the start key installed, and the battery in the unit.

- Raise the battery cover.
- Install the battery pack.
- Insert the start key into the slot inside the battery compartment.
- Lower the battery cover and make sure it is securely closed.
- Engage the bail and press the start button to start the motor and blades.
- Release the bail to stop the motor.

NOTE: The motor and blades will also start if the start button is pressed first and the bail is engaged afterwards.

OPERATION

MOWING TIPS

WARNING:

Do not mow on wet grass, which can cause you to slip and fall and result in possible serious personal injury.

NOTE: Fully charge battery before each use for optimal runtime.

- Make sure the lawn is clear of stones, tree nuts, sticks, wires, and other objects that could damage the lawn mower blades or motor. Do not mow over property stakes or other metal posts. Such objects could damage the blades or be accidentally thrown by the mower in any direction and cause serious personal injury to the operator and others.

NOTE: It is recommended not to remove more than 1/3 of the total grass length at one time.

- When cutting heavy grass, reduce walking speed to allow for more effective cutting and a proper discharge of the clippings. We recommend using the side discharge cutting configuration when cutting in heavy conditions.
- Do not cut wet grass. It will stick to the underside of the deck and prevent proper bagging or mulching of grass clippings.
- New or thick grass may require operating the mower at a higher cut setting.
- Clean the underside of the mower deck after each use to remove grass clippings, leaves, dirt, and any other accumulated debris.

NOTE: Always stop mower, allow blades to completely stop, remove the start key and remove the battery packs from the battery port before cleaning underneath the mower.

SLOPE OPERATION

See Figure 12.

WARNING:

Slopes are a major factor related to slip and fall accidents that can result in severe injury. Operation on slopes requires extra caution. If you feel uneasy on a slope, do not mow it. For your safety, do not attempt to mow slopes greater than 15 degrees and mow across the face of slopes, not up and down.

- Mow across the face of slopes, not up and down. Exercise extreme caution when changing direction on slopes.
- Watch for holes, ruts, rocks, hidden objects, or bumps which can cause you to slip or trip. Tall grass can hide obstacles. Remove all objects such as rocks, tree limbs, etc., which could be tripped over or thrown by the blades.
- Always be sure of your footing. A slip and fall can cause serious personal injury. If you feel you are losing your balance, release the upper blade control lever immediately.
- Do not mow near drop-offs, ditches, or embankments; you could lose your footing or balance.

EMPTYING THE GRASS CATCHER

See Figure 13.

- Stop the mower and allow the blades to completely stop.
 - Open the battery cover.
 - Remove the start key and battery pack from the battery port.
 - Lift the rear discharge door.
- NOTE:** The handles are designed to allow the grass bag to pass through between them for easy removal.
- Lift the grass catcher from the handle to remove it from the mower.
 - Empty grass clippings.
 - Reinstall the grass catcher as described earlier in this manual.
 - Release the rear discharge door.
 - Reinstall the start key and battery pack when you are ready to mow.

MAINTENANCE

WARNING:

Before performing any maintenance or cleaning the lawn mower, make sure the mower blades come to a complete stop and the batteries and start key are removed to avoid accidental starting and possible serious personal injury.

WARNING:

Always wear eye protection with side shields marked to comply with ANSI Z87.1. Failure to do so could result in objects being thrown into your eyes resulting in possible serious injury.

WARNING:

When servicing, use only identical replacement parts. Use of any other parts can create a hazard or cause product damage.

WARNING:

Never use a hose, water, or any liquids to clean or rinse off the lawn mower. Corrosive liquids, water, fertilizers, and chemicals used to treat lawns can enter the lawn mower and/or battery compartment and damage electronic components and/or the battery packs, which can result in a short circuit, increased risk of fire, and serious personal injury. Remove any buildup of grass and leaves on or around the mower housing and/or underneath the mower deck. Wipe the mower clean with a dry cloth occasionally.

NOTICE:

Periodically inspect the entire product for damaged, missing, or loose parts such as screws, nuts, bolts, caps, etc. Tighten securely all fasteners and caps and do not operate this product until all missing or damaged parts are replaced. Please contact customer service or an authorized service center for assistance.

GENERAL MAINTENANCE

Avoid using solvents when cleaning plastic parts. Most plastics are susceptible to damage from various types of commercial solvents and may be damaged by their use. Use clean cloths to remove dirt, dust, oil, grease, etc.

WARNING:

Do not at any time let brake fluids, gasoline, petroleum-based products, penetrating oils, etc., come in contact with plastic parts. Chemicals can damage, weaken, or destroy plastic which can result in serious personal injury.

LUBRICATION

All of the bearings in this product are lubricated with a sufficient amount of high grade lubricant for the life of the unit under normal operating conditions. Therefore, no further bearing lubrication is required.

REPLACING THE CUTTING BLADE

See Figures 14 - 15.

WARNING:

Always protect hands by wearing heavy gloves and/or wrapping the cutting edges of the blades with rags and other material when performing blade maintenance. Contact with the blades could result in serious personal injury.

WARNING:

The cutting blade may move even when the battery is removed and the power source is switched off.

WARNING:

Never engage the blade when transporting the mower from one location to another. Turn the blade off if tilting is required when transporting across non-grass surfaces. Only engage the blade by pressing the start button when you are ready to mow. Failure to follow these instructions can result in serious personal injury.

MAINTENANCE

NOTE: Only use authorized replacement blades.

- Stop the motor and remove the start key. Allow the blade to come to a complete stop.
- Remove the battery pack from the battery port.
- Turn the mower on its side.
- Wedge a block of wood between the blade and mower deck to prevent the blades from turning.
- Loosen the blade nut by turning it counterclockwise (as viewed from bottom of mower) using a 15 mm wrench or socket (not provided).
- Remove the blade nut, spacer, blade insulator, and blades. **Do not** remove the hub or the adaptor.
- Inspect the blade and replace as needed.

WARNING:

If the hub and/or the adaptor have been removed, replace them before placing blades on the shaft. Failure to do so could cause the blades to detach or become unbalanced since blades will not tighten properly, which can result in serious personal injury.

- Place the new blade on the shaft against the blade posts on the hub. Ensure blade is properly seated with shaft going through center blade hole and the two blade posts on the hub inserted into their respective holes on the blade. Make sure it is installed with the curved ends pointing up toward the mower deck and not down toward the ground. When seated properly, the blade should be flat.
- Replace the blade insulator and spacer, then thread the blade nut on the shaft and finger tighten.
NOTE: Make certain all parts are replaced in the exact order in which they were removed.
- Torque the blade nut down clockwise using a torque wrench (not provided) to ensure the bolt is properly tightened. The recommended torque for the blade nut is 325–400 in.lbs.

WARNING:

Ensure blades are properly seated and the blade nut is tightened to the torque specifications above. Failure to properly attach the blades could cause them to come loose and result in possible serious personal injury.

STORING THE MOWER

See Figures 16 - 17.

WARNING:

Remove all battery packs from the battery ports and start key and store indoors in a secure and dry location out of the reach of children to prevent unauthorized use of the lawn mower and possible serious personal injury.

- Before storage, allow the mower to cool down.
- Wipe any dirt or debris from the battery area.
- Empty the grass catcher.
- Raise the mower into the vertical storage position and clean grass clippings that have accumulated on the underside of the mower deck.
- Wipe the mower clean with a dry cloth.
- Check all nuts, bolts, knobs, screws, fasteners, etc., for tightness.
- Inspect moving parts for damage, breakage, and wear. Have repairs made on any damaged or missing parts. Check blades for damage, uneven, or excessive wear and replace blade if these conditions exist.
- Store mower indoors in a clean, dry place out of the reach of children.
 - To store the mower in a horizontal position, lower the handle assembly. Avoid pinching or trapping any cables.
 - To store the mower in a vertical position, remove the grass bag, then lower the handle assembly. Avoid pinching or trapping any cables. Raise the mower 90° to rest on its rear support.

NOTICE:

Do not allow the starter cable to become pinched or trapped when lowering the handle.

- Do not store near corrosive materials such as fertilizer or rock salt.

ACCESSORIES

Look for these accessories where you purchased this product or call 1-800-525-2579:

- RYOBI 20 in. Replacement Mower Blade.....AC04029
- Lawn Striper.....ACLS01
- Mower Cover.....ACMC02
- Fabric Bag Replacement.....ACPM07



WARNING:

Current attachments and accessories available for use with this product are listed above. Do not use any attachments or accessories not recommended by the manufacturer of this product. The use of attachments or accessories not recommended can result in serious personal injury.

TROUBLESHOOTING

IF THESE SOLUTIONS DO NOT SOLVE THE PROBLEM CONTACT YOUR AUTHORIZED SERVICE DEALER.

PROBLEM	POSSIBLE CAUSE	SOLUTION
Handle not in position.	Handle adjustment pins are not in place.	Pull up handle lock lever, release, and make sure handle adjustment pins lock into place.
Mower not starting.	Battery is low in charge. Start key not installed. Debris in battery compartment. Handle assembly is not in operating position.	Charge the battery. Install start key. Ensure nodes and terminals are clear of debris. Raise lower and upper handle.
Mower cutting grass unevenly.	Lawn is rough or cutting height not set properly. Blade is unbalanced, excessively or unevenly worn.	Adjust the cutting height. Replace the blade.
Mower not mulching properly.	Wet grass clippings sticking to the underside of the deck. Blade is unbalanced, excessively or unevenly worn.	Wait until the grass dries before mowing. Replace the blade.
Mower hard to push.	High grass, rear of mower housing and blade dragging in heavy grass, or cutting height too low.	Raise cutting height.
Mower not bagging properly.	Cutting height set too low. Grass blocking rear chute of mower.	Raise cutting height. Stop the motor, remove start key, and battery. Remove grass catcher bag and remove the blockage.
Mower vibrating at higher speed.	Blade is unbalanced, excessively or unevenly worn. Bent motor shaft.	Replace the blade. Stop the motor, remove start key, and battery. Inspect for damage. Have repaired by an authorized service center before restarting.
Motor stops while cutting.	Cutting height set too low.	Raise the cutting height.
Two inner lights flashing on battery indicator. Mower will not start.	Overcurrent, excessive load on mower blade.	Raise cut height and ensure deck is clear of debris. If mulching, recommend change to bagging or side discharge to lighten the load.
Two outer lights flashing on battery indicator. Mower will not start.	Batteries over the temperature limit.	Bring batteries inside to cool off. Put mower in the shade or cool area until batteries stop displaying the error message.

**This product has a Five-year Limited Warranty for personal, family, or household use (One-year for business or commercial use).
For warranty details, visit www.ryobitools.com
or call (toll free) 1-800-525-2579.**

AVERTISSEMENTS DE SÉCURITÉ POUR LES TONDEUSES



AVERTISSEMENT :

Consulter tous les avertissements de sécurité, les instructions, les illustrations et les spécifications fournis avec cette tondeuse. Le non-respect de toutes les instructions énumérées ci-dessous peut entraîner une décharge électrique, un incendie et/ou des blessures graves.

CONSERVER TOUS LES AVERTISSEMENTS ET TOUTES LES INSTRUCTIONS POUR S'Y RÉFÉRER ULTÉRIEUREMENT

SÉCURITÉ SUR LE LIEU DE TRAVAIL

- **Pour éviter que des personnes n'entrent en contact avec la lame en mouvement ou ne se blessent avec un objet projeté**, tenir toutes les personnes présentes à l'écart de la zone d'utilisation, **en particulier des enfants en bas âge. Arrêter la tondeuse et ses accessoires si quelqu'un pénètre dans la zone.** Le contact avec la lame en mouvement ou avec des objets projetés peut entraîner des blessures graves, voire mortelles.
- **Ne pas utiliser la tondeuse qu'à la lumière du jour ou sous un bon éclairage artificiel.** Des zones sombres sont propices aux accidents.
- **Ne pas utiliser les tondeuses à gazon dans des atmosphères explosives, par exemple en présence de liquides, de gaz ou de poussières inflammables.** Les tondeuses à gazon produisent des étincelles qui peuvent enflammer la poussière ou les fumées.
- **Ne pas utiliser la tondeuse par mauvais temps, surtout s'il y a un risque de foudre.** Cela diminue le risque d'être frappé par la foudre.
- **Inspecter soigneusement l'endroit où la tondeuse sera utilisée et enlever toutes les pierres, bâtons, fils, os et autres objets étrangers.** Les objets projetés peuvent provoquer des blessures.

SÉCURITÉ ÉLECTRIQUE

- **Ne pas exposer pas la tondeuse à la pluie ou à l'humidité.** L'eau qui pénètre dans une tondeuse à gazon peut augmenter le risque d'électrocution.

SÉCURITÉ PERSONNELLE

- **Utiliser un équipement de protection individuelle. Porter toujours une protection pour les yeux.** L'équipement de protection permet de réduire les dommages corporels.
- **S'habiller de manière appropriée. Ne pas porter pas de vêtements amples ni de bijoux. Tenir vos cheveux et vos vêtements à l'écart des pièces mobiles.** Les vêtements amples, les bijoux ou les cheveux longs peuvent se prendre dans les pièces en mouvement.

- **Lorsque la tondeuse à gazon est utilisée, toujours porter des pantalons longs.** Une peau exposée augmente le risque de blessure par des objets projetés.
 - **Lorsque la tondeuse à gazon est utilisée, toujours porter des chaussures antidérapantes et protectrices. Ne pas utiliser la tondeuse à gazon lorsque vous êtes pieds nus ou que vous portez des sandales ouvertes.** Cela réduit les risques de blessures aux pieds en cas de contact avec la lame en mouvement.
 - **Empêcher tout démarrage involontaire. S'assurer que l'interrupteur est en position d'arrêt avant de brancher la source d'alimentation et/ou les piles, de prendre ou de transporter la tondeuse.** Transporter une tondeuse avec le doigt sur l'interrupteur ou mettre sous tension une tondeuse dont l'interrupteur est en position de marche sont des facteurs d'accidents.
 - **Retirer toute clé de réglage avant de mettre la tondeuse en marche.** Si une clé reste attachée à une pièce rotative de la tondeuse, un risque de blessure est possible.
 - **Toujours garder une bonne position et un bon équilibre.** Cela permet de mieux contrôler la tondeuse dans des situations inattendues.
 - **Rester vigilant, regarder ce que vous faites et faire preuve de bon sens lorsque la tondeuse à gazon est utilisée. Ne pas utiliser la tondeuse à gazon si vous êtes fatigué ou sous l'influence de drogues, d'alcool ou de médicaments.** Un moment d'inattention lors de l'utilisation d'une tondeuse à gazon peut entraîner des blessures graves.
 - **Ne pas laisser la familiarité découlant de l'utilisation fréquente de la tondeuse à gazon vous laisser devenir complaisant et ignorer les principes de sécurité de la tondeuse à gazon.** Un geste imprudent peut entraîner des blessures graves en une fraction de seconde.
 - **Pour éviter tout contact avec la lame de l'opérateur ou toute blessure due à la projection d'un objet, rester dans la zone de l'opérateur, derrière les poignées de la tondeuse.** Le contact avec la lame ou la projection d'objets peut entraîner des blessures graves.
 - **Ne pas toucher les lames et autres pièces mobiles dangereuses lorsqu'elles sont toujours en mouvement.** Cela réduit le risque de blessures causées par des pièces mobiles.
- ### UTILISATION ET ENTRETIEN DE LA TONDEUSE
- **Utiliser la tondeuse et les accessoires conformément à ces instructions, en tenant compte des conditions de travail et du travail à effectuer.** L'utilisation de la tondeuse à gazon pour des opérations différentes de celles prévues peut entraîner une situation de danger.

AVERTISSEMENTS DE SÉCURITÉ POUR LES TONDEUSES

- **Avant d'utiliser la tondeuse, toujours vérifier visuellement que la/les lame(s) et l'ensemble de coupe sont correctement fixés et qu'ils ne sont pas usés ou endommagés.** Des pièces lâches, usées ou endommagées peuvent augmenter le risque de blessure.
- **Maintenir les dispositifs de protections et de sécurité en place, correctement installés et en état de marche.** Un protecteur ou un autre dispositif de sécurité desserré, endommagé ou ne fonctionnant pas correctement peut entraîner des blessures.
- **Veiller à ce que toutes les entrées d'air de refroidissement soient exemptes de débris.** Des entrées d'air obstruées et des débris peuvent entraîner une surchauffe ou un risque d'incendie.
- **Ne pas utiliser la tondeuse à gazon si l'interrupteur ne permet pas de la mettre en marche et de l'arrêter.** Toute tondeuse à gazon qui ne peut pas être contrôlée par l'interrupteur est dangereuse et doit être réparée.
- **Ne pas utiliser la tondeuse dans l'herbe mouillée. Marcher, ne jamais courir.** Cela réduit le risque de glissement et de tomber, ce qui peut entraîner des blessures.
- **Ne pas utiliser la tondeuse sur des pentes trop raides.** Cela réduit le risque de perte de contrôle, de glissement et de chute pouvant entraîner des blessures.
- **Ne pas forcer la tondeuse. Utiliser la tondeuse appropriée pour votre usage.** La tondeuse à gazon appropriée effectuera un meilleur travail et de manière plus sûre, à la vitesse pour laquelle elle a été conçue.
- **Faites attention à la direction d'éjection de la tondeuse et de l'accessoire et ne pas diriger l'éjection de la tondeuse vers quelqu'un.** Les objets projetés peuvent provoquer des blessures.
- **Être extrêmement prudent en reculant ou en tirant la tondeuse vers vous. Toujours être conscient des obstacles qui sont autour de vous.** Cela réduit le risque de trébuchement pendant le fonctionnement.
- **Durant un travail sur des pentes, s'assurer d'avoir un appui au sol ferme, toujours travailler en travers de la pente, jamais en montant ou en descendant, et rester extrêmement prudent durant un changement de direction.** Cela réduit le risque de perte de contrôle, de glissement et de chute pouvant entraîner des blessures.
- **Actionner le dispositif de désactivation et/ou retirer toutes les piles, si elles sont amovibles, de la tondeuse avant d'effectuer des réglages, de changer d'accessoires ou de ranger la tondeuse.** Ces mesures de sécurité préventives réduisent le risque de démarrage accidentel de la tondeuse.
- **Maintenir les poignées et les surfaces de préhension sèches, propres et exemptes d'huile et de graisse.** Les poignées et les surfaces de préhension glissantes ne permettent pas la manipulation et le contrôle de la tondeuse en toute sécurité dans des situations inattendues.
- **Vérifier fréquemment que le bac à herbe coupée n'est pas usé ou détérioré.** Un bac à herbe coupée usé ou endommagé peut augmenter le risque de blessures.
- **Avant de retirer le bac à herbe coupée, arrêter le moteur et attendre que la/les lames soient complètement arrêtées. La/les lames de coupe continuent de tourner après le relâchement de la commande de lame. Ne jamais placer une partie du corps dans la zone de la/les lames avant d'être certain que le moteur est éteint et que la/les lames ont cessé de tourner.** Tout contact avec la/les lames de coupe en mouvement peut entraîner des blessures graves.
- **Avant de déboucher la sortie d'herbe coupée, arrêter le moteur, attendre l'arrêt complet de la/des lames, actionner le dispositif de désactivation et/ou retirer toutes les piles, si elles sont amovibles. La/les lames de coupe continuent de tourner après le relâchement de la commande de lame. Ne jamais placer une partie du corps dans la zone de la/des lames avant d'être certain que le moteur est éteint et que la/les lames ont cessé de tourner.** Tout contact avec la/les lames de coupe en mouvement peut entraîner des blessures graves.
- **Avant de nettoyer ou d'inspecter la tondeuse, couper le moteur, attendre l'arrêt complet de la/des lames, actionner le dispositif de désactivation et/ou retirer toutes les piles, si elles sont amovibles. Un contact accidentel avec la lame en mouvement et les pièces mobiles peut entraîner des blessures.**
- **Faites l'entretien de la tondeuse et de ses accessoires. Vérifier que les pièces mobiles ne sont pas mal alignées ou coincées, qu'elles ne sont pas cassées et qu'elles ne présentent pas d'anomalies susceptibles d'affecter le fonctionnement de la tondeuse. Si elle est endommagée, faites réparer la tondeuse avant d'utilisation.** De nombreux accidents sont causés par des tondeuses à gazon mal entretenues.
- **Ranger les tondeuses à gazon à l'arrêt hors de portée des enfants et ne laisser aucune personne utiliser la tondeuse à gazon si elle n'est pas familière avec cette dernière ou les présentes instructions.** Les tondeuses sont dangereuses entre les mains d'utilisateurs non formés.

AVERTISSEMENTS DE SÉCURITÉ POUR LES TONDEUSES

UTILISATION ET ENTRETIEN D'UNE TONDEUSE À PILE

- **N'utiliser les tondeuses à gazon qu'avec des piles spécialement conçues à cet effet.** L'utilisation d'autres piles peut entraîner des risques de blessures et d'incendie.
- **Recharger uniquement avec le chargeur recommandé par le fabricant.** Un chargeur adapté à un type de pile peut présenter un risque d'incendie, lorsqu'utilisé avec un autre type de pile.
- **Suivre toutes les instructions de recharge et ne pas recharger le/les blocs de piles ou la tondeuse en dehors de la plage de température spécifiée dans les instructions.** Une charge incorrecte ou à des températures hors de la plage spécifiée peut endommager la pile et augmenter le risque d'incendie.
- **Ne pas utiliser une pile ou une tondeuse endommagée ou modifiée.** Des piles endommagées ou modifiées peuvent avoir un comportement imprévisible et provoquer un incendie, une explosion ou un risque de blessure.
- **Ne pas exposer le/les blocs de piles ou la tondeuse au feu ou à une température excessive.** L'exposition au feu ou à une température supérieure à 265 °F (129 °C) peut provoquer une explosion.

- **Dans des conditions de surutilisation, du liquide peut être éjecté de la/des piles; éviter tout contact. En cas de contact accidentel, rincer à l'eau. Si du liquide entre en contact avec les yeux, consulter immédiatement un médecin.** Le liquide éjecté de la/des piles peut provoquer des irritations ou des brûlures.
- **Lorsque les piles ne sont pas utilisées, les garder éloignées d'autres objets métalliques, tels que trombones, pièces de monnaie, clés, clous, vis ou autres petits objets métalliques susceptibles d'établir une connexion entre les bornes.** Le court-circuitage des bornes de la pile peut provoquer des brûlures ou un incendie.

RÉPARATION

- **Faites réparer votre tondeuse par un réparateur qualifié qui n'utilisera que des pièces de re-change identiques. Cela permet de garantir la sécurité de la tondeuse à gazon.** L'utilisation de pièces non conformes aux spécifications de l'équipement d'origine peut entraîner un mauvais rendement et compromettre la sécurité.
- **Ne jamais réparer des piles endommagées.** L'entretien des piles ne doit être effectué que par le fabricant ou des prestataires de services agréés.

INSTRUCTIONS DE SÉCURITÉ PARTICULIÈRES

- Cet outil coupant est capable d'amputer des mains et des pieds et projeter des objets. Le non respect de toutes les instructions de sécurité pourrait résulter en des blessures graves ou la mort.
- Éviter les environnements dangereux – N'utilisez pas la tondeuse dans un environnement mouillé ou humide et ne l'utilisez pas durant la pluie.
- Garder les enfants à l'écart – Garder les badauds, enfants et animaux domestiques à une distance minimum de 30,5 m (100 pi). Arrêter la machine si quelqu'un entre dans la zone.
- Des accidents tragiques peuvent survenir si l'opérateur n'est pas conscient de la présence des enfants. Les enfants sont souvent attirés par la machine et l'activité de tondaison. Ne prenez jamais pour acquis que les enfants resteront à l'endroit où vous les avez vus la dernière fois.
 - Assurez-vous que les enfants soient éloignés de la zone de coupe et qu'ils soient supervisés par un adulte autre que l'opérateur.
 - Soyez vigilant et éteignez la tondeuse si un enfant s'approche.
 - Ne permettez jamais à des enfants d'utiliser la machine.
- Redoublez la prudence quand vous vous approchez des coins, des arbustes, des arbres ou d'autres objets qui peuvent masquer la présence d'un enfant.
- Ne pas travailler hors de portée – Toujours se tenir bien campé et en équilibre. Le travail hors de portée risque de faire perdre l'équilibre.
- Ne laissez pas la tondeuse sans surveillance quand elle est allumée ou une fois la clé de démarrage fixée.
- Éloignez les mains et les pieds de la zone de coupe. Tenez vous éloigné de l'ouverture de décharge en tout temps.
- Porter des lunettes de sécurité – Toujours porter une protection oculaire munie d'écrans latéraux certifiée conforme à la norme ANSI Z87.1. Utilisez une masque faciale si l'utilisation produit de la poussière.
- Ne pas charger le bloc-pile sous la pluie ou dans un endroit mouillé.
- Faire l'entretien de la tondeuse avec soins – Garder l'outil en bon état. Assurez-vous que les lames soient affûtées et que les dispositifs de protections soient en place et en état de fonctionnement. Remplacer les lames endommagées ou usées de façon inégale avant d'utiliser la tondeuse d'obtenir un rendement optimal.

INSTRUCTIONS DE SÉCURITÉ PARTICULIÈRES




- Vérifiez fréquemment si tous les écrous, boulons et vis sont serrés pour s'assurer que l'équipement est sécuritaire. Les lames de tondeuse sont tranchantes. Envelopper la lame ou porter des gants et prendre beaucoup de précautions lors de l'entretien.
- Ne pas jeter la pile au feu. La cellule peut exploser. Vérifier les codes locaux pour connaître toute instruction spéciale relative à l'élimination des piles.
- **Ne jamais utiliser un boyau, de l'eau ou une autre liquide pour nettoyer ou rincer la tondeuse.** Les liquides corrosifs, l'eau, l'engrais et les produits chimiques utilisés pour traiter les pelouses peuvent s'infiltrer dans la tondeuse et/ou le compartiment de la pile et endommager les composants électroniques et/ou le bloc-pile, ce qui peut entraîner un court-circuit, augmenter le risque d'incendie ou des blessures corporelles graves. Enlever toute accumulation d'herbes ou de feuilles sur ou autour du corps de la tondeuse et/ou en dessous de la plateforme de la tondeuse. Essuyer la tondeuse de temps en temps avec un linge sec.
- Remplacer la lame si elle est pliée ou fissurée. Une lame déséquilibrée provoque des vibrations qui peuvent endommager le moteur de l'appareil et provoquer des blessures. Affûter également les extrémités de la lame émoussée afin de maintenir l'équilibre. Nettoyer complètement la lame et vérifier son équilibre en la déposant à l'horizontale et en plaçant l'orifice du centre sur un petit clou. Le clou doit être placé à l'horizontale. Si l'une des extrémités de la lame tourne vers le bas, enlever un peu de métal de la partie épaisse inférieure de la lame jusqu'à ce que celle-ci soit équilibrée. Une lame équilibrée lorsqu'aucune extrémité n'est inclinée.
- Toujours, utiliser des dispositifs de protection. N'utilisez pas la tondeuse sans le collecteur d'herbe ou le capuchon du broyeur et porte arrière de décharge en place et fonctionne correctement.
- Ne pas ouvrir ou altérer le bloc-piles. L'électrolyte est un produit corrosif pouvant causer des lésions cutanées ou oculaires. Il peut être toxique en cas d'ingestion.
- Suivez les instructions du fabricant relatives à l'installation et l'utilisation des accessoires. Utilisez seulement des accessoires approuvés par le fabricant.
- Manipuler les batteries avec soin pour éviter des courts-circuits avec des objets conducteurs comme des anneaux, des bracelets et des clés. La batterie ou l'objet conducteur peuvent surchauffer et causer des brûlures.
- Lorsque le bloc de batteries n'est pas en usage, le garder à l'écart d'articles tels qu'attaches trombones, pièces de monnaie, clous, vis et autres petits objets métalliques risquant d'établir le contact entre les deux bornes. Le court-circuitage des bornes peut causer des brûlures ou un incendie.
- Ne modifiez pas ou n'essayez jamais de réparer l'appareil ou le bloc de batterie (selon le cas), sauf comme indiqué dans les instructions d'utilisation et d'entretien.
- Évitez les trous, les ornières, les roches, bornes de propriété ou d'autres objets cachés. Un terrain accidenté pourrait provoquer un glissement et vous faire tomber par accident.
- Ne tondez pas près des dépressions, fossés ou des berges.
- Tondez les pentes dans le sens transversal, jamais en montant ou en descendant. Soyez particulièrement prudent lors des changements de direction sur les terrains en pente.
- Planifiez le parcours de la tondeuse pour éviter d'éjecter les matériaux sur les routes, les trottoirs, les passants, etc. Évitez également d'éjecter les matériaux sur un mur ou une obstruction ce qui pourrait causer un matériau d'être projeté par ricochet en direction de l'opérateur.
- Ne tondez pas l'herbe mouillée ou sur des pentes excessivement raides. Une mauvaise position peut vous faire glisser et tomber par accident. Marchez, ne courez jamais.
- Redoublez la prudence si vous vous approchez des coins, des arbustes, des arbres ou d'autres objets qui vous cachent la vue.
- Ne tirez jamais la tondeuse vers l'arrière à moins que cela soit absolument nécessaire. Si vous devez tirer la tondeuse pour éviter un mur ou une obstruction, commencez par regarder en bas et en arrière pour ne pas trébucher ou tirando la podadora hacia los pies.
- N'éjectez jamais du matériel en direction de quelqu'un. Évitez d'éjecter le matériel sur un mur ou une obstruction. Le matériel pourrait être projeté par ricochet en direction de l'opérateur. Arrêtez la lame quand vous traversez des surfaces recouvertes de gravier.
- Des objets frappés par la lame de la tondeuse peuvent causer des sérieuses blessures. La pelouse devrait toujours être examinée attentivement et nettoyée de tout objet avant la tondaison.
- Si la tondeuse frappe un objet étranger, suivez ces étapes :
 - Arrêter la tondeuse en relâchant l'levier de commande de la lame, attendre que la lame s'arrête complètement, puis retirer la clé de démarrage.
 - Inspectez attentivement la tondeuse pour desceller les dommages.
 - Remplacer la lame si elle est endommagée de quelque façon que ce soit Réparez tout dommage avant de démarrer et de continuer à utiliser la tondeuse.
- Le produit doit être réparé par un personnel qualifié seulement. Des réparations ou l'entretien effectués par un personnel non qualifié pourrait résulter en des blessures pour l'utilisateur ou endommager le produit.

INSTRUCTIONS DE SÉCURITÉ PARICULIÈRES

- L'assemblage du collecteur d'herbe peut se détériorer et s'user et doit être vérifié chaque fois avant d'utiliser la tondeuse à gazon. S'il doit être remplacé, s'assurer que le nouveau collecteur d'herbe répond aux exigences et aux spécifications du fabricant d'origine.
- Lors de réparation du produit, utilisez pièces de remplacement autorisées. Utiliser uniquement des lames de rechange identiques. L'utilisation des pièces non autorisées peut créer un risque d'une blessure sérieuse à l'utilisateur ou endommager le produit.
- Les outils fonctionnant piles n'ayant pas besoin d'être branchés sur une prise secteur, ils sont toujours en état de fonctionnement. Tenir compte des dangers possibles lorsque l'outil n'est pas en usage et lors du remplacement des piles. Le respect de cette règle réduira les risques d'incendie, de choc électrique et de blessures graves.
- **Utiliser ce produit seulement avec les piles et les chargeurs indiqués dans le supplément de raccordement pour chargeur/outils/piles/appareil n° 988000-842.**
- Ranger les appareils qui ne sont pas utilisés à l'intérieur – lorsque la tondeuse n'est pas utilisée, le ranger à l'intérieur dans un endroit sec et verrouillé hors de la portée des enfants. La clé de démarrage et les blocs-piles doivent être retirés et rangés dans un autre endroit et hors de la portée des enfants.
- Suivre les instructions de lubrification et de changement d'accessoires.
- Faire fonctionner cet appareil ne doit être permis qu'aux adultes responsables et familiers avec les instructions.
- Ne jamais faire fonctionner l'appareil dans un endroit clos.
- Ne jamais modifier les dispositifs de sécurité. Vérifier périodiquement l'état de fonctionnement.
- Ne pas ranger les blocs-piles ou la tondeuse dans des endroits où la température est inférieure à 10 °C (50 °F) ou supérieure à 38 °C (100 °F). Ne pas remettre à l'extérieur ou dans un véhicule.
- Ne pas utiliser la tondeuse dans des endroits où la température est inférieure à 4 °C (40 °F) ou supérieure à 40 °C (104 °F).
- **Conserver ces instructions.** Les consulter fréquemment et les utiliser pour instruire les autres utilisateurs éventuels. Si cet outil est prêté, il doit être accompagné de ces instructions.













SYMBOLES

Les termes de mise en garde suivants et leur signification ont pour but d'expliquer le degré de risques associé à l'utilisation de ce produit.

SYMBOLE	SIGNAL	SIGNIFICATION
	DANGER :	Indique une situation dangereuse qui, si elle n'est pas évitée, aura pour conséquences des blessures graves ou mortelles.
	AVERTISSEMENT :	Indique une situation dangereuse qui, si elle n'est pas évitée, pourrait entraîner des blessures graves ou mortelles.
	ATTENTION :	Indique une situation dangereuse qui, si elle n'est pas évitée, pourrait entraîner des blessures légères ou de gravité modérée.
	AVIS :	(Sans symbole d'alerte de sécurité) Indique les informations jugées importantes sans toutefois représenter un risque de blessure (ex. : messages concernant les dommages matériels).

SYMBOLES

Certains des symboles ci-dessous peuvent être utilisés sur produit. Veiller à les étudier et à apprendre leur signification. Une interprétation correcte de ces symboles permettra d'utiliser produit plus efficacement et de réduire les risques.

SYMBOLE	NOM	DÉSIGNATION / EXPLICATION
	Symbole d'alerte de sécurité	Indique un risque de blessure potentiel.
	Lire manuel d'utilisation	Pour réduire les risques de blessures, l'utilisateur doit lire et veiller à bien comprendre le manuel d'utilisation avant d'utiliser ce produit.
	Protection oculaire	Toujours porter une protection oculaire munie d'écrans latéraux certifiée conforme à la norme ANSI Z87.1.
	Avertissement concernant l'humidité	Risque d'incendie et de brûlures. Ne pas exposer la pile, le compartiment de la pile, ou les composants électroniques à la pluie, l'eau ou d'autres liquides. Fermer le couvercle pendant l'utilisation. Ne pas opérer sur un sol humide.
	Choc électrique	Ne pas utiliser la machine dans un endroit sec ou ne pas respecter les pratiques de sécurité peut entraîner un choc électrique.
	Garder les mains et les pieds à l'écart	Garder les mains et les pieds à l'écart de la lame et de la zone de coupe.
	Se tenir loin	Ne pas mettre ses mains ou ses pieds en dessous du châssis de la tondeuse.
	Éviter les pentes	Ne pas utiliser sur des pentes de plus de 15°. Tondre les pentes dans le sens transversal, jamais en montant ou en descendant.
	AVERTISSEMENT : Faire attention aux objets jetés - ne laisser personne s'approcher	Tenir les enfants et les curieux à une distance de 30,5 m (100 pi) au moins.
	Ricochet	Les objets projetés peuvent ricocher et infliger des blessures ou causer des dommages matériels.
	Débrancher la pile avant l'entretien	Pour réduire les risques de blessures, l'utilisateur doit enlever la pile avant d'effectuer une réparation ou un entretien du produit.
	Symbole de recyclage	Ce produit utilise les piles de lithium-ion (Li-ion). Les réglementations locales ou gouvernementales peuvent interdire de jeter les piles dans les ordures ménagères. Consulter les autorités locales compétentes pour les options de recyclage et/ou l'élimination.
==	Courant continu	Type ou caractéristique du courant
V	Volts	Tension
A	Ampères	Intensité
Hz	Hertz	Fréquence (cycles par seconde)
W	Watt	Puissance
hrs	Heures	Durée

CARACTÉRISTIQUES

CARACTÉRISTIQUES DU PRODUIT

Moteur	40 V c.c.
Dimension du plateau.....	508 mm (20 po)
Réglages de la hauteur.....	25,4 mm à 101,6 mm (1 po à 4 po)
Grandeur des roues.....	203,2 mm (8 po) en avant, 254 mm (10 po) en arrière

APPRENEZ À CONNAÎTRE VOTRE TONDEUSE

Voir la figure 1.

L'utilisation sécuritaire de ce produit nécessite une compréhension de l'information sur le produit et dans le manuel de l'utilisation ainsi que la connaissance du projet à effectuer. Avant d'utiliser ce produit, familiarisez-vous avec toutes les fonctions d'utilisation et les règles de sécurité.

COUVERCLE DES PILES

Le couvercle de pile protège le logement de piles contre les débris.

COMPARTIMENT DE RANGEMENT DE PILE

Le compartiment de rangement de la pile offre un espace pratique pour ranger la pile ou un bloc-piles additionnel.

MOTEUR SANS BALAI

Ce produit est équipé d'un moteur sans balai afin de livrer une puissance et une performance optimales et maximiser l'autonomie de la pile.

COLLECTEUR D'HERBE

Le collecteur d'herbe recueille les brins d'herbe et empêche qu'ils soient éparpillés sur le gazon au moment de la tonte.

NOTE : S'assurer que la porte du déchiqueteur est réglée à l'ensachage avant l'utilisation.

POIGNÉE DE RÉGLAGE DE HAUTEUR

La poignée de réglage de hauteur règle les hauteurs de coupe.

CHUTE DE DÉCHARGE LATÉRALE

La chute de décharge latérale dirige les débris de la tondeuse lorsque l'herbe est trop haute. La porte du déchiqueteur doit être fermée pour un rendement optimal d'évacuation latérale.

BOUTON DE DÉMARRAGE ET LEVIERS

Le bouton de démarrage et anse sont situés au haut de la poignée supérieure de la tondeuse. Appuyer sur la barre puis enfoncer le bouton de démarrage pour démarrer le moteur et les lames. Relâcher la barre pour arrêter le moteur.

CLÉ DE DÉMARRAGE

Vous devez insérer la clé de démarrage avant que la tondeuse puisse démarrer.

CAPTEUR D'INCLINAISON

Le capteur d'inclinaison empêche l'appareil de démarrer s'il se trouve dans une position verticale ou incliné à un angle de plus de 45°.

CAPACITÉ DE RANGEMENT VERTICALE

Les poignées pliantes permettent un rangement compact en position debout dans votre garage.

ASSEMBLAGE

DÉBALLAGE

Ce produit nécessite l'assemblage.

- Retirez prudemment l'outil et les accessoires de la boîte. Assurez-vous que tous les articles énumérés dans la **Liste d'expédition** sont inclus.

AVERTISSEMENT :

Ne pas utiliser le produit si, en le déballant, vous constatez que des éléments figurant dans la **Liste d'expédition** sont déjà assemblés. Certaines pièces figurant sur cette liste n'ont pas été assemblées par le fabricant et exigent une installation. Le fait d'utiliser un produit qui a été assemblé de façon inadéquate peut entraîner des blessures.

- Vérifiez attentivement si l'outil n'a pas subi des dommages ou des bris pendant le transport.
- Ne jetez pas l'emballage avant d'avoir inspecté l'outil et avant d'avoir vérifié s'il fonctionne correctement.
- Si des pièces sont manquantes ou endommagées, veuillez appeler au 1-800-525-2579 pour obtenir de l'aide.

LISTE D'EXPÉDITION

Tondeuse

Clé de démarrage

Sac de collecteur d'herbe et support

Chute de décharge latérale

Boulon de carrosserie (2)

Écrou (2)

Clé

Manuel d'utilisation

AVERTISSEMENT :

Si des pièces manquent ou sont endommagées, ne pas utiliser ce produit avant qu'elles aient été remplacées. Le fait d'utiliser ce produit même s'il contient des pièces endommagées ou s'il lui manque des pièces peut entraîner des blessures graves.

AVERTISSEMENT :

N'essayez pas de modifier cet outil ou de créer des accessoires non recommandés pour utilisation avec ce produit. Toute transformation ou modification de ce genre est un cas de mauvais usage qui peut créer des risques de blessures graves.

AVERTISSEMENT :

Ne insérer la clé de démarrage ou les bloc-piles complétant l'assemblage vous êtes prêt à tonte. Le non respect de cet avertissement pourrait résulter en un démarrage accidentel et des blessures corporelles graves.

AVERTISSEMENT :

Pour empêcher commencer accidentel, ne pas faire d'ajustement ou des installations avec la clé de démarrage ou les bloc-piles insérée. Le démarrage accidentel de la tondeuse pendant l'assemblage peut entraîner des blessures graves.

AVERTISSEMENT :

N'utilisez jamais la tondeuse sans les dispositifs de sécurité appropriés en place et en état de marche. N'utilisez jamais la tondeuse si les dispositifs de sécurité sont endommagés. Le fait d'utiliser la tondeuse si des pièces sont manquantes ou endommagées peut entraîner des blessures graves.

DÉVOILEMENT ET AJUSTEMENT ENSEMBLE DE POIGNÉE

Voir les figures 2 et 3.

AVIS :

Ne pas laisser le câble du démarreur se coincer ou s'emmêler lors de l'assemblage de la poignée.

- La tondeuse à gazon doit rester en position pliée.
- Aligner les trous de la poignée supérieure avec le trou de la poignée inférieure.
- Insérer les boulons dans le trou latéral des poignées inférieure/supérieure.
- Installer les écrous. Serrer fermement avec la clé fournie.
- Répéter les étapes des deux côtés.
- S'assurer que le câble du démarreur est bien fixé dans la pince du cordon sur la poignée.
- Déverrouiller les leviers de verrouillage de la poignée.
- Tirer la poignée assemblée vers le haut et l'arrière jusqu'à ce qu'elle soit complètement déployée en position de fonctionnement.
- Tourner les leviers de verrouillage de la poignée pour bien les fixer.

ASSEMBLAGE

ASSEMBLAGE DU COLLECTEUR D'HERBE

Voir les figures 4 et 5.

- Placer le support du collecteur d'herbe sur une surface plate avec la poignée faisant face vers le bas.
- Orienter le sac de collecteur d'herbe avec le plancher en vinyle faisant face vers le haut, et glisser le sac sur le cadre. Lors de l'installation, permettre à la poignée du support de demeurer à l'extérieur du sac et s'assurer que les coutures du sac sont situées sur les bords du support.
- Tirer l'attache par dessus le rail du support pour le fixer en place.
- Soulever le plancher en vinyle du sac vers le haut du rail du support et le fixer en place.
- Utiliser la même méthode pour fixer le reste des attaches de chaque côté du sac au rail du support.

INSTALLATION DU COLLECTEUR D'HERBE (POUR ARRIÈRE UTILISATION D'ENSACHAGE)

Voir la figure 6.

- Retirer la clé de démarrage et bloc-piles.
- Levez le couvercle d'éjection arrière.
- Levez le collecteur d'herbe par sa poignée et mettez-le couvercle d'éjection arrière de façon à ce que les crochets sur le collecteur d'herbe s'appuient sur la boîtier du tondeuse.
- Relâchez le couvercle d'éjection arrière.
- Réinstaller la clé de démarrage et le bloc-piles dès le moment de la tonte.

PAILLAGE

Lors du paillage, ne pas installer le bac à herbe. La porte de paillage est moulée dans la porte d'éjection arrière. Fermer la porte d'éjection arrière garantit que la tondeuse est prête pour le paillage.

INSTALLATION DE LA CHUTE DE DÉCHARGE LATÉRALE

Voir la figure 7.

La tondeuse est préparée pour le déchiquetage avec le couvercle de déchiquetage à ressort déjà en place. Si une décharge latérale est souhaitée, installer la chute de décharge latérale.

- Retirer la clé de démarrage et bloc-piles.
- Soulever le couvercle de la broyeur et le maintenir en place.
- Insérer la chute de décharge latérale comme indiqué, en alignant les deux encoches sur les languettes situées de chaque côté du couvercle de déchiquetage.
- Abaisser le couvercle de déchiquetage jusqu'à ce que les languettes soient en place dans les encoches de la chute de décharge latérale.
- Réinstaller la clé de démarrage et le bloc-piles dès le moment de la tonte.

RÉGLAGE DE LA HAUTEUR DE LA LAME

Voir la figure 8.

Pour l'expédition, les lames de la tondeuse est réglées à la position de coupe au ras de sol. Avant d'utiliser la tondeuse pour la première fois, réglez la position de coupe à la hauteur la mieux adaptée à votre pelouse. Une pelouse moyenne devrait avoir de 38,10 mm à 50,80 mm (1-1/2 po à 2 po) pendant les mois de temps froid et entre 50,80 et 82,55 mm (2 po à 3-1/4 po) pendant les mois de temps chaud. Ne jamais retirer plus d'un tiers de la longueur totale du gazon à la fois afin d'éviter d'endommager votre pelouse.

Pour régler la hauteur de la lame :

- Retirer la clé de démarrage et bloc-piles.
- Pour augmenter la hauteur de la lame, attrapez la poignée de réglage de la hauteur et poussez-le vers l'arrière de la tondeuse.
- Pour diminuer la hauteur de la lame, attrapez la poignée de réglage de la hauteur et poussez-le vers l'avant de la tondeuse.
- Réinstaller la clé de démarrage et les bloc-piles dès le moment de la tonte.

UTILISATION

AVERTISSEMENT :

Ne laissez pas la familiarité tirée d'une utilisation fréquente de ce type de produit atténuer votre vigilance. Souvenez-vous qu'une fraction de seconde d'inattention suffit à infliger des blessures graves.

AVERTISSEMENT :

Toujours porter une protection oculaire munie d'écrans latéraux certifiée conforme à la norme ANSI Z87.1. Si cette précaution n'est pas prise, des objets peuvent être projetés dans les yeux et causer des lésions graves.

AVERTISSEMENT :

N'utilisez aucun ajout ni accessoire non-recommandé par le fabricant de ce produit. L'utilisation des ajouts ou des accessoires non recommandés pourrait résulter en des blessures corporelles graves.

AVERTISSEMENT :

Inspectez toujours la tondeuse pour repérer les pièces endommagées ou manquantes, et les lames pour repérer les dommages, les inégalités ou une usure excessive avant de l'utiliser. Le fait d'utiliser ce produit même s'il contient des pièces endommagées ou s'il lui manque des pièces peut entraîner des blessures graves.

AVERTISSEMENT :

Toujours retirer le bloc-piles et la clé de démarrage de l'outil pour assembler des pièces, faire des réglages, nettoyer ou dès la fin de l'utilisation. Respecter ces instructions évitera un démarrage accidentel et les blessures graves.

AVIS :

Avant chaque utilisation, inspecter au complet le produit afin de s'assurer qu'aucune pièce (vis, écrous, boulons, chapeaux, etc.) n'est endommagée, manquante ou desserrée. Serrer solidement toutes les pièces de fixation et les chapeaux et ne pas utiliser le produit tant que toutes les pièces manquantes ou endommagées n'ont pas été remplacées. Se il vous plaît communiquer avec le service à la clientèle ou un centre de réparations agréé.

APPLICATIONS

Vous pouvez utiliser cet outil pour les tâches énumérées ci-dessous :

- Tondaison de votre pelouse

INSTALLATION / RETRAIT DU BLOC-PILES

Voir la figure 9.

- Ouvrir la couvercle des piles.
- Aligner les nervures sur le bloc-piles avec les rainures de la prise de pile et insérer le bloc-piles sur la tondeuse.

AVERTISSEMENT :

S'assurer que le loquet au bas du bloc-piles s'enclenche et que le bloc-piles est installé et fixé correctement au tondeuse avant de commencer le travail. Ne pas installer et fixer correctement le bloc-piles peut provoquer la chute de ce dernier et occasionner des blessures graves.

- Fermeture la couvercle des piles et s'assurer que la couvercle tiennent fermement.

Retrait du bloc-piles :

- Ouvrir la couvercle des piles.
- Appuyer sur le loquet sur le bas du bloc-piles pour le séparer du tondeuse.
- Retirer le bloc-piles du tondeuse.
- Fermeture la couvercle des piles et s'assurer que la couvercle tiennent fermement.

Pour prendre connaissance de l'ensemble des instructions relatives à la charge, consulter les manuels d'utilisation des batteries et des modèles de chargeur connexes.

AVERTISSEMENT :

Pour éviter le démarrage accidentel pouvant causer des blessures graves, toujours retirer la clé de démarrage lors du déplacement ou du transport de la tondeuse.

DÉMARRAGE / ARRÊT DE LA TONDEUSE

Voir les figures 10 et 11.

NOTE : La tondeuse ne démarrera pas si la clé de démarrage n'est pas installée et si les piles ne se trouvent pas dans l'unité.

- Ouvrir la couvercle des piles.
- Installer le bloc-piles.
- Insérer la clé de démarrage dans la fente située à l'intérieur du compartiment de la pile.
- Fermeture la couvercle des piles et s'assurer que la couvercle tiennent fermement.

UTILISATION

- Enclencher l'anse et appuyer sur le bouton de démarrage pour démarrer le moteur et les lames.
- Pour arrêter la tondeuse, relâcher l'anse.

NOTE : Le moteur et les lames démarreront également si d'appuyer sur le bouton de démarrage et puis l'anse est enclenché.

CONSEILS DE TONDAISON

AVERTISSEMENT :

Ne tondez pas du gazon mouillé; vous pourriez glisser et tomber, et vous causer ainsi de graves blessures.

NOTE : Charger complètement les piles avant chaque utilisation pour une autonomie optimale.

- Assurez-vous que la pelouse est libre des pierres, noix d'arbres, des branches, des fils et d'autres objets qui pourraient endommager le moteur ou les lames de la tondeuse. Ne pas faire passer la tondeuse par-dessus les bornes de propriété ou autres poteaux en métal. De tels objets pourraient endommager les lames ou être accidentellement projetés par la tondeuse dans toutes directions et causer des blessures graves à l'opérateur ou aux autres.

NOTE : Il est recommandé de ne pas retirer plus du tiers de la longueur totale de l'herbe à la fois.

- Quand vous coupez de l'herbe épaisse, marchez plus lentement pour permettre à l'outil à couper plus efficacement et à éjecter les brins de façon appropriée. Il est recommandé d'utiliser la configuration de coupe à évacuation latérale lors de la coupe dans des conditions difficiles.
- Ne coupez pas de l'herbe humide. Elle collera au-dessous du châssis et empêche l'ensachage ou le déchetage appropriés des brins d'herbe.
- L'herbe neuve ou épaisse peut nécessiter l'utilisation de la tondeuse à un réglage de coupe plus haut.
- Nettoyez le dessous du châssis après chaque utilisation pour enlever les brins d'herbes, les feuilles, la saleté et tout autre débris accumulé.

NOTE : Toujours arrêter la tondeuse, attendre l'arrêt complet des lames, retirer la clé de démarrage et retirer les bloc-piles de la prise de pile avant de nettoyer le dessous de la tondeuse.

UTILISATION SUR LES PENTES

Voir la figure 13.

AVERTISSEMENT :

Les pentes sont un facteur majeur relié aux glissements et des chutes accidentelles qui peuvent résulter en des blessures graves. L'utilisation de la tondeuse sur les pentes nécessite des précautions spéciales. Si vous n'êtes pas confortable sur une pente, ne la tondez pas. Pour votre sécurité, n'essayez pas de tondre des pentes de plus de 15 degrés et tondez les pentes dans le sens transversal, jamais en montant ou en descendant.

- Tondez les pentes dans le sens transversal, jamais en montant ou en descendant. Soyez particulièrement prudent lors des changements de direction sur les terrains en pente.
- Faites attention aux trous, ornières, roches, objets cachés ou bosses qui peuvent provoquer un glissement ou une chute. De l'herbe haute peut cacher des obstacles. Enlevez tous les objets tels que les roches, les racines, etc. qui peuvent être projetés par les lames ou qui pourraient provoquer une chute.
- Soyez toujours sûr de votre position. Un glissement ou une chute peuvent causer une blessure grave. Si vous sentez que vous perdez l'équilibre, relâchez immédiatement la levier de commande de la lame supérieure.
- Ne tondez pas près des dépressions, des fossés ou des berges; vous pourriez perdre l'équilibre.

VIDER LE COLLECTEUR D'HERBE

Voir la figure 13.

- Arrêter la tondeuse, laisser les lames s'arrêter complètement.
- Ouvrez le logement de piles.
- Retirez la clé de démarrage et débranchez le bloc-pile de la prise de pile.
- Soulever le couvercle d'éjection arrière.

NOTE : Les poignées sont conçues pour permettre au sac à herbe de passer entre elles pour un retrait facile.

- Soulever le collecteur d'herbe par sa poignée afin de le retirer de la tondeuse.
- Jetez les brins d'herbe.
- Réinstaller le collecteur d'herbe, comme décrit précédemment dans le présent manuel.
- Relâcher le couvercle d'éjection arrière
- Réinstaller la clé de démarrage et le bloc-piles dès le moment de la tonte.

ENTRETIEN

AVERTISSEMENT :

Avant d'effectuer de l'entretien ou de nettoyer la tondeuse, s'assurer que les lames de la tondeuse sont complètement immobiles et que les piles et la clé de démarrage sont enlevées pour empêcher un démarrage accidentel ou des possibles blessures corporelles graves.

AVERTISSEMENT :

Toujours porter une protection oculaire munie d'écrans latéraux certifiée conforme à la norme ANSI Z87.1. Si cette précaution n'est pas prise, des objets peuvent être projetés dans les yeux et causer des lésions graves.

AVERTISSEMENT :

Utiliser exclusivement des pièces identiques à celles d'origine pour les réparations. L'usage de toute autre pièce pourrait créer une situation dangereuse ou endommager le produit.

AVERTISSEMENT :

Ne jamais utiliser un boyau, de l'eau ou une autre liquide pour nettoyer ou rincer la tondeuse. Les liquides corrosifs, l'eau, l'engrais et les produits chimiques utilisés pour traiter les pelouses peuvent s'infiltrer dans la tondeuse et/ou le compartiment de la pile et endommager les composants électroniques et/ou le bloc-pile, ce qui peut entraîner un court-circuit, augmenter le risque d'incendie ou des blessures corporelles graves. Enlever toute accumulation d'herbes ou de feuilles sur ou autour du corp de la tondeuse et/ou en dessous de la plateforme de la tondeuse. Essuyer la tondeuse de temps en temps avec un linge sec.

AVIS :

Inspecter périodiquement au complet le produit afin de s'assurer qu'aucune pièce (vis, écrous, boulons, chapeaux, etc.) n'est endommagée, manquante ou desserrée. Serrer solidement toutes les pièces de fixation et les chapeaux et ne pas utiliser le produit tant que toutes les pièces manquantes ou endommagées n'ont pas été remplacées. Se il vous plaît communiquer avec le service à la clientèle ou un centre de réparations agréé.

ENTRETIEN GÉNÉRAL

Évitez d'utiliser des solvants quand vous nettoyez des pièces en plastique. La plupart des plastiques résistent mal aux plusieurs types de solvants de commerce et peuvent être endommagés par leur utilisation. Utilisez des chiffons secs pour enlever la saleté, la poussière, l'huile, la graisse, etc.

AVERTISSEMENT :

Ne permettez jamais à ce que les liquides pour freins, la gazoline, les produits à base de pétrole, les huiles dégriffantes, etc entrent en contact avec les pièces en plastique. Les produits chimiques peuvent endommager, affaiblir ou détruire le plastique ce qui peut résulter en des blessures graves.

LUBRIFICATION

Tous les roulements de cet outil sont lubrifiés à l'aide d'une quantité suffisante de lubrifiant de haute qualité pour toute la durée de l'outil dans des conditions normales d'utilisation. Alors, aucune lubrification ultérieure n'est nécessaire.

REMPACEMENT DE LA LAME

Voir les figures 14 et 15.

AVERTISSEMENT :

Protégez toujours vos mains en portant des gants épais ou en enveloppant les bords tranchants de las lames avec des chiffons ou d'autre matériau quand vous effectuez l'entretien de las lames. Contact avec las lames résulter en des blessures graves.

AVERTISSEMENT :

La lame de coupe peut bouger même lorsque la pile est retirée et que la source d'alimentation est éteinte.

AVERTISSEMENT :

N'activez jamais la lame pendant que vous transportez la tondeuse d'un endroit à un autre. Éteindre la lame si une inclinaison est nécessaire lors du transport sur des surfaces sans herbe. Activez seulement la lame en appuyant sur le bouton de démarrage lorsque vous êtes prêt à tondre. Ne pas suivre ces instructions peut causer des blessures graves.

ENTRETIEN

NOTE : Utiliser seulement des pièces de remplacement lames.

- Arrêtez le moteur et coupez l'alimentation électrique et retirez la clé de démarrage. Attendez que la lame s'immobilise complètement.
- Retirer le bloc-piles.
- Tournez la tondeuse de côté.
- Mettez une pièce de bois entre la lame et le châssis de la tondeuse pour empêcher la lame de tourner.
- Desserrez l'écrou de la lame en le tournant dans le sens antihoraire (par rapport au bas de la tondeuse) en utilisant une clé de 15 mm ou une douille (non fournies).
- Enlevez l'écrou de lame, l'écarteur, l'isolant de lame et la lame.
- Inspecter la lame et la remplacer, au besoin.

AVERTISSEMENT :

Si le moyeu et/ou l'adaptateur ont été enlevés, les replacer avant de placer les lames sur l'arbre. Le défaut de suivre cette consigne pourrait causer l'éjection de las lames ou un déséquilibre de cette dernière parce que las lames ne peux pas être serrée correctement, ce qui peut occasionner des blessures personnelles graves.

- Placer la nouvelle lame sur l'arbre contre les poteaux de lame sur le moyeu. S'assurer que la lame est bien insérée avec l'arbre passant dans le trou central de la lame et que les deux poteaux de lame sur le moyeu sont insérés dans leurs trous respectifs sur la lame. Assurez-vous que les bouts incurvés soient orientés en direction du châssis de la tondeuse et non en direction du sol. Une fois bien appuyée, la lame devrait être à plat.
- Remettez l'isolant de lame et l'écarteur, vissez l'écrou de lame sur l'arbre et serrez à main.

NOTE : Assurez-vous que toutes les pièces soient replacées dans l'ordre exact dans lequel elles ont été enlevées.

- Serrez l'écrou de lame sens horaire en utilisant une clé dynamométrique (non fournie) pour s'assurer que l'écrou et bien serré. Le couple de serrage recommandé pour l'écrou de lame est de 325 à 400 po-lbs.

AVERTISSEMENT :

S'assurer que les lames est assise correctement et que l'écrou de lame est serré au couple indiqué ci-dessus. Ne pas fixer correctement les lames peut provoquer un relâchement de cette dernière et représenter un risque de blessure grave.

ENTREPOSAGE DE LA TONDEUSE

Voir les figures 16 et 17.

AVERTISSEMENT :

Retirer tous les blocs-piles de la prise de pile ainsi que la clé de démarrage et ranger dans un endroit sûr à l'intérieur et hors de portée des enfants, afin d'éviter l'utilisation non autorisée de la tondeuse à gazon et de possibles blessures graves.

- Avant l'entreposage, laisser la tondeuse refroidir.
- Essuyer toute saleté ou tout débris se trouvant dans l'environnement de la pile.
- Vider le collecteur d'herbe.
- Soulever la tondeuse dans sa position de rangement verticale et nettoyez les brins d'herbe accumulés en dessous du châssis de la tondeuse.
- Essuyez la tondeuse avec un chiffon sec.
- Vérifiez si les écrous, les boulons, les boutons, les vis, les attaches, etc sont serrés.
- Vérifiez si les pièces détachables ne sont pas endommagées, brisées ou usées. Faites réparer toutes les pièces manquantes ou endommagées. Vérifier si la lame est endommagée ou si elle est usée de façon inégale ou excessive, et la remplacer le cas échéan.
- Entrepozez la tondeuse à l'intérieur dans un endroit propre et sec, loin de la portée des enfants.
 - Pour pouvoir ranger la tondeuse à l'horizontale, abaisser l'ensemble de poignée. Éviter de pincer ou de coincer les câbles.
 - Pour ranger la tondeuse à la verticale, retirer le sac à herbe et abaisser l'ensemble de poignée. Éviter de pincer ou de coincer les câbles. Soulever la tondeuse à 90° pour qu'elle repose son support arrière.

AVIS :

Veiller à ne pas pincer ou d'attraper le câble de démarreur lors du levage du poignée.

- N'entrepozez pas près des matériaux corrosifs tels que les engrais ou le sel gemme.

ACCESSOIRES

Rechercher ces accessoires où vous avez acheté ce produit ou en appelant au 1-800-525-2579 :

- Lame à tondeuse de rechange de 508 mm (20 po) de RYOBI.....AC04029
- Traceur de gazon.....ACLS01
- Couvercle de tondeuse.....ACMC02
- Remplacement du sac en tissu.....ACPM07



AVERTISSEMENT :

Les outils et accessoires disponibles actuellement pour cet outil sont listés ci-dessus. Ne pas utiliser d'outils ou accessoires non recommandés pour cet outil. L'utilisation de pièces et accessoires non recommandés peut entraîner des blessures graves.

DÉPANNAGE

SI LES PRÉSENTES SOLUTIONS NE RÉSOLVENT PAS LE PROBLÈME, CONTACTER LE CENTRE DE RÉPARATIONS AGRÉÉ.

PROBLÈME	CAUSE POSSIBLE	SOLUTION
Poignée en mauvaise position.	Les tiges de réglage de la poignée ne sont pas en place.	Tirer sur le levier de verrouillage de la poignée, le relâcher et s'assurer que les goupilles de réglage de la poignée sont bien logées.
La tondeuse ne démarre pas.	La pile est basse dans la charge. Clé de démarrage non installé. Débris dans le compartiment à piles. L'ensemble de poignée n'est pas en position de fonctionnement.	Charger le bloc-pile. Installer la clé de démarrage. S'assurer que les terminaux et les bornes sont exempts de débris. Soulever les poignées inférieure et supérieure.
La tondeuse coupe l'herbe de façon inégale.	La pelouse est raboteuse ou la hauteur de la coupe n'est pas bien réglée. La lame est déséquilibrée, usée de manière excessive ou inégale.	Régler la hauteur de coupe. Remplacer la lame.
La tondeuse ne broie pas correctement.	Des brins d'herbe humides sont collés au-dessous du châssis. La lame est déséquilibrée, usée de manière excessive ou inégale.	Attendez que l'herbe sèche avant de tondre. Remplacer la lame.
Il est difficile de pousser la tondeuse.	L'herbe est haute, l'arrière du carter de la tondeuse et la lame traînent dans de l'herbe épaisse ou la hauteur de coupe est trop basse.	Augmentez la hauteur de coupe.
La tondeuse n'ensache pas l'herbe adéquatement.	La hauteur de coupe est trop basse. De l'herbe bloque la chute arrière de la tondeuse.	Augmentez la hauteur de coupe. Arrêtez le moteur, retirez la clé de démarrage et la pile. Enlever le sac du collecteur d'herbe et dégager l'obstruction.
La tondeuse vibre à une vitesse élevée.	La lame est déséquilibrée, usée de façon excessive ou inégale. L'arbre du moteur plié.	Remplacer la lame. Arrêtez le moteur, retirez la clé de démarrage et la pile. Inspecter les pièces afin de s'assurer qu'elles ne sont pas endommagées. Faites réparer par un centre de réparations agréé avant de redémarrer.
Si le moteur s'arrête pendant la tonte de la pelouse.	La hauteur de coupe est trop basse.	Augmentez la hauteur de coupe.
Deux voyants intérieurs clignotent sur l'indicateur de pile. La tondeuse ne démarre pas.	Surintensité, charge excessive sur la lame de la tondeuse.	Relever la hauteur de coupe et s'assurer que le plateau est exempt de débris. Si vous déchargez, nous vous recommandons de passer à l'ensachage ou à la décharge latérale pour alléger la charge.
Deux voyants extérieurs clignotent sur l'indicateur de pile. La tondeuse ne démarre pas.	Piles au-delà de la température limite.	Placer les piles à l'intérieur pour les refroidir. Placer la tondeuse à l'ombre ou dans une zone fraîche jusqu'à ce que les piles cessent d'afficher le message d'erreur.

**Ce produit est accompagné d'une garantie limitée de cinq (5) ans pour utilisation personnel, familiales ou domestiques (Un an pour utilisation affaires ou commerciales).
Pour obtenir les détails de la garantie, visiter le site www.ryobitools.com
ou appeler (sans frais) au 1-800-525-2579.**

ADVERTENCIAS DE SEGURIDAD DE LA PODADORA



ADVERTENCIA:

Lea todas las advertencias de seguridad, instrucciones, ilustraciones y especificaciones que se proporcionan junto con esta podadora. Si no se siguen todas las instrucciones que se detallan a continuación, podría ocurrir una descarga eléctrica, un incendio o una lesión grave.

GUARDE TODAS LAS ADVERTENCIAS Y INSTRUCCIONES PARA CONSULTARLAS EN EL FUTURO

SEGURIDAD DEL ÁREA DE TRABAJO

- Para evitar que transeúntes entren en contacto con la cuchilla en movimiento o una lesión ocasionada por los objetos que salen lanzados, mantenga el área de operación libre de transeúntes, particularmente niños pequeños. Detenga la podadora y los accesorios si alguna persona ingresa en el área. El contacto con la cuchilla en movimiento o con los objetos que salen lanzados puede provocar lesiones graves o la muerte.
- Solo use la podadora de día o con buena luz artificial. Las áreas oscuras invitan a los accidentes.
- No use la podadora en ambientes explosivos, como por ejemplo, en presencia de polvo, gases o líquidos inflamables. La podadora genera chispas que pueden encender el polvo o los gases.
- No use la podadora cuando haya mal clima, especialmente cuando haya riesgo de relámpagos. Esto disminuye el riesgo de que le caiga un rayo.
- Inspeccione cuidadosamente el área donde se va a usar la podadora y retire todas las piedras, los palos, las ramas, los alambres, los cables, los huesos y otros objetos extraños. Los objetos que salen lanzados pueden provocar lesiones.

SEGURIDAD ELÉCTRICA

- No exponga la podadora a la lluvia ni a condiciones de humedad. Si ingresa agua en la podadora, ello puede aumentar el riesgo de descarga eléctrica.

SEGURIDAD PERSONAL

- Use equipo de protección personal. Siempre use protección para los ojos. El equipo de protección reducirá la posibilidad de lesiones.
- Use ropa adecuada. No use ropa suelta ni joyas. Mantenga el cabello y la ropa lejos de las piezas móviles. La ropa suelta, las joyas y el cabello largo pueden atascarse en las piezas móviles.
- Mientras usa la podadora, siempre use pantalones largos. La piel expuesta aumenta la probabilidad de lesiones por los objetos que salen lanzados.

- Mientras usa la podadora, siempre use calzado de trabajo antideslizante. No use la podadora descalzo ni cuando tenga puestas sandalias abiertas. Esto reduce la posibilidad de lesiones en los pies como resultado del contacto con la cuchilla en movimiento.
- Evite que la podadora se ponga en marcha accidentalmente. Asegúrese de que el interruptor esté en la posición de apagado antes de conectar el cable a la fuente de alimentación o las baterías, y antes de levantar o transportar la podadora. Transportar la podadora con el dedo en el interruptor o dar corriente a una podadora que tiene el interruptor en la posición de encendido invita a accidentes.
- Retire cualquier llave de ajuste antes de encender la podadora. Si se deja una llave enganchada a una pieza giratoria de la podadora, ello puede provocar lesiones.
- Mantenga un buen punto de apoyo y el equilibrio en todo momento. Esto permite un mejor control de la podadora en situaciones inesperadas.
- Manténgase alerta, preste atención a lo que está haciendo y use el sentido común al operar la podadora. No use la podadora cuando esté cansado o bajo los efectos del alcohol, de drogas o de medicamentos. Un momento de descuido mientras usa la podadora puede provocar lesiones graves.
- No deje que la confianza generada por el uso frecuente de la podadora lo vuelva autocomplaciente y lo haga ignorar los principios de seguridad de la podadora. Una acción descuidada puede ocasionar lesiones graves en una fracción de segundo.
- Para evitar que el operador entre en contacto con la cuchilla o una lesión causada por los objetos que salen lanzados, manténgase en la zona del operador detrás de los mangos de la podadora. El contacto con la cuchilla o con los objetos que salen lanzados puede provocar lesiones graves.
- No toque las cuchillas ni otras piezas móviles peligrosas mientras siguen en movimiento. Esto reduce el riesgo de lesiones por contacto con las piezas en movimiento.

USO Y CUIDADO DE LA PODADORA

- Use la podadora y los accesorios de acuerdo con estas instrucciones, y tenga en cuenta las condiciones de trabajo y el trabajo que se debe realizar. El uso de la podadora para operaciones diferentes a las previstas puede generar una situación peligrosa.
- Antes de usar la podadora, siempre inspeccione visualmente para asegurarse de que las cuchillas y el conjunto de cuchillas estén correctamente asegurados y no estén desgastados ni dañados. Las piezas sueltas, desgastadas o dañadas pueden aumentar el riesgo de lesiones.

ADVERTENCIAS DE SEGURIDAD DE LA PODADORA

- **Mantenga las protecciones y los demás dispositivos de seguridad en su lugar, correctamente montados y en buen estado de funcionamiento.** Las protecciones u otros dispositivos de seguridad sueltos, dañados o que no funcionan correctamente pueden ocasionar lesiones.
- **Mantenga todas las entradas de aire de enfriamiento libres de basura.** Las entradas de aire obstruidas y la basura pueden provocar sobrecalentamiento o riesgo de incendio.
- **No use la podadora si el interruptor no la enciende y apaga.** Cualquier podadora que no se pueda controlar con el interruptor es peligrosa y debe repararse.
- **No use la podadora sobre césped mojado. Camine, nunca corra.** Esto reduce el riesgo de resbalones y caídas, que pueden ocasionar lesiones.
- **No use la podadora en pendientes excesivamente empinadas.** Esto reduce el riesgo de pérdida de control, resbalones y caídas, que pueden ocasionar lesiones.
- **No fuerce la podadora. Use la podadora correcta para su aplicación.** La podadora correcta hará el trabajo mejor y de forma más segura a la velocidad para la cual fue diseñada.
- **Tenga en cuenta la dirección de la descarga de la podadora y los accesorios, y no apunte la descarga a ninguna persona.** Los objetos que salen lanzados pueden provocar lesiones.
- **Tenga cuidado extremo al retroceder o tirar de la podadora hacia usted. Siempre sea consciente de su entorno.** Esto reduce el riesgo de tropiezos durante el uso.
- **Cuando trabaje en pendientes, siempre asegúrese de tener un buen punto de apoyo, siempre trabaje a lo ancho de la pendiente, nunca hacia arriba ni hacia abajo, y tenga cuidado extremo al cambiar de dirección.** Esto reduce el riesgo de pérdida de control, resbalones y caídas, que pueden ocasionar lesiones.
- **Accione el dispositivo de desactivación o retire todos los bloques de baterías, si son extraíbles, de la podadora antes de realizar cualquier ajuste, cambiar de accesorio o guardar la podadora.** Estas medidas de seguridad preventiva reducen el riesgo de que la podadora se ponga en marcha accidentalmente.
- **Mantenga las superficies de agarre y los mangos secos, limpios y libres de aceite y grasa.** Las superficies de agarre y los mangos resbaladizos no permiten manipular y controlar la podadora de forma segura en situaciones inesperadas.
- **Revise el recolector de césped con frecuencia para ver si está desgastado o deteriorado.** Un recolector de césped desgastado o dañado puede aumentar el riesgo de lesiones.
- **Antes de retirar el recolector de césped, apague el motor y espere hasta que las cuchillas se detengan por completo.** Las cuchillas siguen girando después de que se suelta el control de las cuchillas. Nunca coloque ninguna parte del cuerpo en el área de las cuchillas hasta que esté seguro de que el motor está apagado y las cuchillas han dejado de girar. El contacto con las cuchillas en movimiento puede provocar lesiones graves.
- **Antes de destapar el conducto, apague el motor, espere hasta que las cuchillas se detengan por completo, accione el dispositivo de desactivación y retire todas las baterías, si son extraíbles.** Las cuchillas siguen girando después de que se suelta el control de las cuchillas. Nunca coloque ninguna parte del cuerpo en el área de las cuchillas hasta que esté seguro de que el motor está apagado y las cuchillas han dejado de girar. El contacto con las cuchillas en movimiento puede provocar lesiones graves.
- **Antes de limpiar o inspeccionar la podadora, apague el motor, espere hasta que las cuchillas se detengan por completo, accione el dispositivo de desactivación y retire todas las baterías, si son extraíbles.** El contacto accidental con la cuchilla en movimiento o con las piezas móviles puede provocar lesiones.
- **Encárguese del mantenimiento de la podadora y los accesorios.** Revise en busca de desalineación o atascamiento de las piezas móviles, piezas rotas o cualquier otra condición que pueda afectar el funcionamiento de la podadora. Si está dañada, procure que la podadora se repare antes de su uso. Muchos accidentes son causados por podadoras mal mantenidas.
- **Guarde las podadoras que no se usan fuera del alcance de los niños y no permita que personas que no conocen la podadora o estas instrucciones usen la podadora.** Las podadoras son peligrosas en las manos de usuarios inexpertos.

USO Y CUIDADO DE LA PODADORA A BATERÍA

- **Use la podadora únicamente con los bloques de baterías específicamente diseñados.** El uso de cualquier otro bloque de baterías puede crear un riesgo de lesiones e incendio.
- **Recargue la batería únicamente con el cargador especificado por el fabricante.** Un cargador que es apto para un tipo de bloque de baterías puede crear un riesgo de incendio cuando se usa con otro bloque de baterías.

ADVERTENCIAS DE SEGURIDAD DE LA PODADORA

- **Siga todas las instrucciones de carga y no cargue los bloques de baterías ni la podadora fuera del rango de temperatura indicado en las instrucciones.** La carga de forma incorrecta o en temperaturas fuera del rango especificado puede dañar la batería y aumentar el riesgo de incendio.
- **No use un bloque de baterías o una podadora que presente daños o modificaciones.** Las baterías dañadas o modificadas pueden tener un comportamiento impredecible, que puede provocar un incendio, una explosión o riesgo de lesiones.
- **No exponga un bloque de baterías ni una podadora al fuego ni a temperaturas excesivas.** La exposición al fuego o a temperaturas superiores a 265 °F (129.4 °C) puede ocasionar una explosión.
- **En condiciones abusivas, las baterías pueden expulsar líquido; evite el contacto. Si se produce un contacto accidental, lávese con agua. Si el líquido entra en contacto con los ojos, busque atención médica.** El líquido expulsado de las baterías puede causar irritación o quemaduras.
- **Cuando no se usen los bloques de baterías, manténgalos lejos de otros objetos de metal, como sujetapapeles, monedas, llaves, clavos, tornillos u otros objetos pequeños de metal que puedan hacer una conexión de un terminal a otro.** Si los terminales de las baterías hacen cortocircuito, esto puede ocasionar quemaduras o un incendio.

SERVICIO

- **Lleve la podadora para que la revise y repare un técnico capacitado que solo use repuestos idénticos. Esto garantizará que se mantenga la seguridad de la podadora.** El uso de repuestos que no cumplan con las especificaciones del equipo original puede provocar mal desempeño o comprometer la seguridad.
- **Nunca repare los bloques de baterías dañados.** Únicamente el fabricante o proveedores autorizados de servicios de revisión y reparación pueden revisar y reparar los bloques de baterías.

INSTRUCCIONES DE SEGURIDAD ESPECÍFICAS

- Esta máquina de corte es capaz de amputar manos y pies, y de lanzar objetos. La inobservancia de todas las instrucciones de seguridad puede causar lesiones serias o la muerte.
- Evite ambientes peligrosos – No use la podadora de pasto en condiciones húmedas o mojadas ni la utilice en la lluvia.
- Mantenga alejados a los niños – Mantenga alejados a todos los circunstantes, niños y animales a una distancia mínima de 30,5 m (100 pies). Detenga la máquina si alguien ingresa al área.
- Pueden producirse accidentes trágicos si el operador no está alerta a la presencia de niños. Los niños suelen sentirse atraídos por la máquina y la actividad de la podadora. Nunca dé por sentado que los niños permanecerán donde los vio por última vez.
 - Mantenga a los niños alejados del área de podado y bajo la cuidadosa supervisión de un adulto responsable que no sea el operador.
 - Esté alerta y apague la podadora si un niño entra en el área.
 - Nunca permita que un niño utilice la máquina.
 - Tenga cuidado extremo al acercarse a esquinas ciegas, arbustos, árboles u otros objetos que puedan impedirle ver a un niño.
- Ne pas travailler hors de portée – Toujours se tenir bien campé et en équilibre. Se puede perder el equilibrio al tratar de alcanzar demasiado lejos.
- No deje desatendida la podadora de pasto mientras la tenga encendida o con la llave del arranque instalada.
- Mantenga las manos y los pies alejados del área de corte. Manténgase alejado de la abertura de descarga en todo momento.
- Utilice gafas de seguridad – Siempre utilice protección para los ojos con escudos laterales que cumplan con ANSI Z87.1. Si el proceso es polvoriento, utilice una careta.
- No cargue la batería bajo la lluvia o en ubicaciones húmedas.
- Mantenga la podadora de pasto con cuidado – Mantenga la máquina en buenas condiciones de trabajo. Mantenga las cuchillas afiladas, y las protecciones en su lugar y en buenas condiciones de trabajo. Reemplace las cuchillas dañadas o desgastadas de forma irregular antes de usar la podadora para obtener el mejor desempeño.
- Revise el apriete de todas las tuercas, pernos y tornillos con frecuencia para verificar la seguridad de las condiciones de funcionamiento del equipo. Las cuchillas de la podadora son filosas. Envuelva la cuchilla o utilice guantes y sea extremadamente precavido cuando las repare.

INSTRUCCIONES DE SEGURIDAD ESPECÍFICAS

- No deseche la batería en el fuego. Las baterías pueden estallar. Verifique los códigos de la localidad para conocer posibles instrucciones especiales para desecharlas.
- **Nunca use una manguera, agua ni otros líquidos para limpiar o enjuagar la podadora.** Los líquidos corrosivos, el agua, los fertilizantes y los productos químicos utilizados con las podadoras pueden ingresar a la unidad o al compartimiento de la batería y dañar los componentes eléctricos o el paquete de la batería, lo que podría resultar en un corto circuito, mayor riesgo de incendio y lesiones personales graves. Retire la acumulación de pasto y hojas alrededor de la carcasa de la podadora o debajo de la plataforma de la podadora. Limpie la podadora con un trapo seco de manera ocasional.
- Cambie la cuchilla si está doblada o fisurada. Una cuchilla mal equilibrada ocasiona vibraciones que podrían dañar la unidad impulsora del motor o causar lesiones personales. Afíle la cuchilla desafilada de la misma manera en cada extremo para mantener el equilibrio. Limpie profundamente la cuchilla y verifique el equilibrio apoyándola horizontalmente sobre un clavo delgado a través del orificio central. El clavo debe encontrarse en posición horizontal. Si alguno de los extremos del a cuchilla gira hacia abajo, extraiga algo de metal de la parte pesada del extremo inferior hasta que la cuchilla quede equilibrada. La cuchilla estará equilibrada cuando ninguno de los extremos gire hacia abajo.
- Siempre utilice dispositivos de protección. No utilice la podadora si no tiene el receptor de hierba o la protección de descarga, el tapón para trituración de pasto y la puerta de descarga trasera en sus debidos lugares y en perfectas condiciones de funcionamiento.
- No abra ni dañe el paquete de baterías. El electrolito emitido es corrosivo y puede causar daños en los ojos y en la piel. Puede ser tóxico si se ingiere.
- Siga las instrucciones del fabricante para el correcto manejo e instalación de los accesorios. Sólo utilice accesorios aprobados por el fabricante.
- Tenga cuidado cuando maneje baterías a fin de no realizar un cortocircuito en la batería con materiales conductores como anillos, brazaletes y llaves. La batería o el conductor pueden recalentarse y provocar quemaduras.
- Cuando no esté usando el paquete de baterías, manténgalo alejado de todo objeto metálico como clips, monedas, llaves, clavos, tornillos u otros objetos metálicos pequeños que puedan establecer conexión entre ambas terminales. Establecer una conexión directa entre las dos terminales puede causar quemaduras o incendios.
- No modifique ni intente reparar el dispositivo o el paquete de baterías (según corresponda) excepto según se indica en las instrucciones de uso y mantenimiento.
- Evite pozos, surcos, montículos, rocas, estacas que indican los límites de la propiedad u otros objetos ocultos. El terreno desnivelado puede causar un accidente por resbalón y caída.
- No pise el pasto cerca de precipicios, zanjas o terraplenes.
- No pise el pasto cerca de pendientes; nunca hacia arriba ni hacia abajo. Tenga mucha precaución al cambiar de dirección en una pendiente.
- Planifique su patrón de podado para evitar la descarga de material en caminos, aceras, circunstancias y demás. Además, evite descargar material contra una pared u obstrucción que pueda hacer que el material rebote hacia el operador.
- No pise la hierba cuando está mojada ni en pendientes excesivamente empinadas. Una postura mal afirmada puede causar un accidente por resbalón y caída. Camine, no corra nunca.
- Tenga cuidado extremo al acercarse a esquinas ciegas, arbustos, árboles u otros objetos que puedan impedirle ver.
- No tire de la podadora hacia atrás a menos que sea absolutamente necesario. Si debe retroceder la podadora para alejarla de una pared u obstrucción, primero mire hacia abajo y hacia atrás para evitar tropezar o tirando la podadora hacia los pies.
- Nunca dirija el material descargado hacia una persona. Evite descargar el material contra una pared u obstrucción. El material puede rebotar hacia el operador. Detenga la cuchilla cuando cruce por superficies de grava.
- Los objetos golpeados por la cuchilla de la podadora de pasto pueden causar graves heridas a las personas. Siempre debe examinarse el pasto con cuidado y despejarlo de cualquier objeto antes de cada poda.
- Si la podadora de pasto golpea un objeto extraño, siga estos pasos:
 - Detenga la podadora de césped soltando el palanca de control de la hoja, espere hasta que la cuchilla se detenga por completo y luego.
 - Inspeccione minuciosamente la podadora para ver si tiene daños.
 - Reemplace la cuchilla si presenta algún tipo de daño. Repare todo daño antes de volver a arrancar la podadora y continuar utilizándola.
- Detenga el motor, espere hasta que la cuchilla se detenga por completo y retire la llave del arranque antes de limpiar la bolsa colectora. La cuchilla continúa girando durante algunos segundos después de que se apaga el motor. Nunca coloque ninguna parte del cuerpo en el área de la cuchilla hasta que esté seguro de que la cuchilla ha dejado de girar.

INSTRUCCIONES DE SEGURIDAD ESPECÍFICAS

- Si la podadora comienza a vibrar de manera anormal, detenga el motor, extraiga la llave de arranque e inspecciónela inmediatamente para determinar la causa. Reemplace la cuchilla si presenta algún tipo de daño o si se ha desgastado de forma irregular. La vibración es generalmente una advertencia de problemas.
- Sólo personal de reparación calificado debe dar servicio al producto. Todo servicio o mantenimiento efectuado por personal no calificado puede significar un riesgo de lesiones al usuario, y de daños físicos al producto.
- Las herramientas de baterías no se necesitan conectar a una toma de corriente; por lo tanto, siempre están en condiciones de funcionamiento. Esté consciente de los posibles peligros cuando no esté usando la herramienta de baterías o cuando esté cambiando los accesorios de la misma. Con el cumplimiento de esta regla se reduce el riesgo de una descarga eléctrica, incendio o lesión corporal seria.
- **Usar este producto únicamente con la baterías y el cargador indicados en el folleto de la herramienta/aparato/paquete de baterías/cargador complementario 988000-842.**
- Guarde en el interior los aparatos que no se están usando – Cuando no se está usando, se debe guardar la recortadora de hilo en el interior, en un lugar seco y cerrado con llave del arranque, inaccesible a los niños. También debe extraer la llave de arranque y los paquetes de baterías y almacenarlos en una ubicación separada lejos del alcance de los niños.
- Siga las instrucciones para lubricar y cambiar accesorios.
- Solo permita que esta máquina sea operada por personas adultas responsables que estén familiarizadas con las instrucciones.
- Nunca opere la máquina en un espacio cerrado.
- Nunca altere los dispositivos de seguridad. Compruebe periódicamente que la máquina funcione correctamente.
- No almacene baterías o la podadora en lugares donde la temperatura sea inferior a 10 °C (50 °F) o superior a 37,7 °C (100 °F). No almacenar al aire libre ni en vehículos.
- No lo use la podadora en lugares donde la temperatura sea inferior a 4 °C (40 °F) o superior a 40 °C (104 °F).
- **Guarde estas instrucciones.** Consúltelas con frecuencia y empléelas para instruir a otras personas que puedan utilizar esta herramienta. Si presta a alguien esta herramienta, facilítele también las instrucciones.











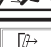


SÍMBOLOS

Las siguientes palabras de señalización y sus significados tienen el objeto de explicar los niveles de riesgo relacionados con este producto.

SÍMBOLO	SEÑAL	SIGNIFICADO
	PELIGRO:	Indica una situación peligrosa, la cual, si no se evita, causará la muerte o lesiones serias.
	ADVERTENCIA:	Indica una situación peligrosa, la cual, si no se evita, podría causar la muerte o lesiones serias.
	PRECAUCIÓN:	Indica una situación peligrosa la cual, si no se evita, puede causar lesiones leves o moderadas.
	AVISO:	(Sin el símbolo de alerta de seguridad) Indica la información que se considera importante, pero no relacionada con lesiones potenciales (por ej. en relación a daños a la propiedad).

SÍMBOLOS

Es posible que se empleen en este producto algunos de los siguientes símbolos. Le suplicamos estudiarlos y aprender su significado. Una correcta interpretación de estos símbolos le permitirá utilizar mejor y de manera más segura el producto.

SÍMBOLO	NOMBRE	DENOMINACIÓN/EXPLICACIÓN
	Alerta de seguridad	Indica un peligro posible de lesiones personales.
	Lea manual del operador	Para reducir el riesgo de lesiones, el usuario debe leer y comprender el manual del operador antes de usar este producto.
	Protección ocular	Siempre póngase protección ocular con protección lateral con la marca de cumplimiento de la norma ANSI Z87.1.
	Alerta de condiciones húmedas	Riesgo de incendio y quemaduras. No exponga la batería, el compartimento de la batería o componentes electrónicos a la lluvia, el agua o líquidos. Cierre la tapa durante el uso. No use la herramienta en pisos húmedos.
	Descarga eléctrica	Si no se usa la unidad en condiciones secas y no se observan prácticas seguras de trabajo, puede producirse una descarga eléctrica.
	Mantenga las manos y los pies alejados.	Mantenga las manos y los pies alejados de las cuchillas y del área de corte.
	No extenderse	No extienda las manos o los pies por debajo de la cubierta de la podadora.
	No utilizar sobre pendientes	No utilice la podadora sobre pendientes superiores a los 15°. Corte sobre la superficie de las pendientes y nunca de arriba a abajo.
	ADVERTENCIA: Cuidado con los objetos arrojados - mantenga alejados a los observadores	Mantenga a los niños y otras personas alejadas a una distancia mínima de 30,5 m (100 pies).
	Rebote	Cualquier objeto lanzado puede rebotar y producir lesiones personales o daños físicos.
	Desconecte la batería antes de realizar tareas de mantenimiento	Para reducir el riesgo de lesiones, el usuario debe quitar la batería antes de realizar tareas de servicio o mantenimiento del producto.
	Símbolo de reciclado	Este producto utiliza baterías de iones de litio (Li-ion). Es posible que algunas leyes municipales, estatales o federales prohíban desechar las baterías en la basura normal. Consulte a las autoridades reguladoras de desechos para obtener información en relación con las alternativas de reciclado y desecho disponibles.
	Corriente continua	Tipo o característica de corriente
V	Volts	Voltaje
A	Amperes	Corriente
Hz	Hertz	Frecuencia (ciclos por segundo)
W	Watts	Potencia
hrs	Horas	Tiempo

CARACTERÍSTICAS

ESPECIFICACIONES DEL PRODUCTO

Motor.....	40 V CC
Tamaño de la unidad	508 mm (20 pulg.)
Ajustes de altura.....	25,4 mm à 101,6 mm (1 pulg. a 4 pulg.)
Tamaño de las ruedas	203,2 mm (8 pulg.) delanteras; 254 mm (10 pulg.) traseras

FAMILIARÍCESE CON SU PODADORA

Vea la figura 1.

Para usar este producto con la debida seguridad se debe comprender la información indicada en el producto mismo y en este manual, y se debe comprender también el trabajo que intenta realizar. Antes de usar este producto, familiarícese con todas las características de funcionamiento y normas de seguridad del mismo.

TAPA DE LAS BATERÍAS

El compartimiento de almacenamiento de la batería ofrece un lugar cómodo para almacenar la batería o para almacenar un paquete de baterías adicional.

COMPARTIMIENTO DE ALMACENAMIENTO DE LA BATERÍA

El compartimiento de almacenamiento de la batería ofrece un lugar conveniente para almacenar su batería cuando no la use o para almacenar un paquete de baterías adicional.

MOTOR SIN ESCOBILLAS

Este producto cuenta con un motor sin escobillas que maximiza la potencia y el desempeño, así como el tiempo de funcionamiento de la batería.

RECEPTOR DE HIERBA

El receptor de hierba acumula lo que ya ha cortado y evita que se desparrame mientras continúa cortando el césped.

NOTA: Verifique que la puerta del acolchado esté ajustada para embolsar antes de usarla.

MANGO DE AJUSTE DE ALTURA

El mango de ajuste de altura permite ajustar la altura de corte.

VERTEDOR DE DESCARGA LATERAL

El vertedor de descarga lateral dirige los recortes hacia fuera de la plataforma de la podadora cuando el césped está demasiado alto. The mulch door should be closed for optimal side discharge performance.

BOTÓN DE ARRANQUE Y PALANCAS

El botón de arranque y la asa están ubicados en el mango superior de la podadora. Enganche la asa y luego presione el botón de arranque para arrancar el motor y cuchillas. Suelte el gancho para detener el motor.

LLAVE DEL ARRANQUE

La llave del arranque debe introducirse antes de arrancar la podadora.

SENSOR DE INCLINACIÓN

El sensor de inclinación evita que la unidad arranque si está en posición vertical o inclinada en un ángulo mayor de 45°.

CAPACIDAD DE ALMACENAMIENTO VERTICAL

Los mangos plegables permiten un almacenamiento compacto y vertical en su garaje.

ARMADO

DESEMPAQUETADO

Este producto requiere armarse.

- Extraiga cuidadosamente de la caja la herramienta y los accesorios. Asegúrese de que estén presentes todos los artículos enumerados en la **Lista de empaquetado**.

ADVERTENCIA:

No utilice este producto si alguna pieza incluida en la **Lista de empaquetado** ya está ensamblada al producto cuando lo desempaqueta. El fabricante no ensambla las piezas de esta lista en el producto. Éstas deben ser instaladas por el usuario. El uso de un producto que puede haber sido ensamblado de forma inadecuada podría causar lesiones personales graves.

- Inspeccione cuidadosamente la herramienta para asegurarse de que no haya sufrido ninguna rotura o daño durante el transporte.
- No deseche el material de empaquetado sin haber inspeccionado cuidadosamente la herramienta y haberla utilizado satisfactoriamente.
- Si hay piezas dañadas o faltantes, le suplicamos llamar al 1-800-525-2579, donde le brindaremos asistencia.

LISTA DE EMPAQUETADO

Podadora

Llave del arranque

Bolsa y armazón del receptor de hierba

Vertedor de descarga lateral

Perno de carruaje (2)

Tuerca (2)

Llave

Manual del operador

ADVERTENCIA:

Si hay piezas dañadas o faltantes, no utilice esta producto sin haber reemplazado todas las piezas. Usar este producto con partes dañadas o faltantes puede causar lesiones serias al operador.

ADVERTENCIA:

No intente modificar este producto ni hacer accesorios no recomendados para el mismo. Cualquier alteración o modificación constituye maltrato y puede causar una condición peligrosa, y como consecuencia posibles lesiones serias.

ADVERTENCIA:

No meta llave del arranque o paquetes de baterías sin haber terminado de armarla y usted está listo para cortar. De lo contrario la unidad puede ponerse en marcha accidentalmente, con el consiguiente riesgo de lesiones serias.

ADVERTENCIA:

Para prevenir empezar accidental, no hace ningún ajuste ni las instalaciones con la llave del arranque o paquetes de baterías metida. El arranque accidental de la podadora durante el armado puede causar lesiones graves.

ADVERTENCIA:

Nunca utilice la podadora sin que los dispositivos de seguridad adecuados estén colocados y en funcionamiento. Nunca utilice la podadora con dispositivos de seguridad dañados. El funcionamiento de la podadora con piezas dañadas o faltantes puede ocasionar lesiones graves.

DESPLEGAR Y AJUSTAR EL CONJUNTO DE MANGOS

Vea las figuras 2 y 3.

AVISO:

No permitir que el cable del arrancador quede pellizcado o atrapado al ensamblar el mango.

- La podadora de césped debe permanecer en la posición plegada.
- Alinear los orificios del mango superior con el orificio del mango inferior.
- Introducir los pernos en el orificio lateral de los mangos inferior/superior.
- Instalar las tuercas. Apretar firmemente con la llave incluida.
- Repetir los pasos en ambos lados.
- Asegurarse de que el cable del arrancador esté fijado en el sujetador de cable que se encuentra en el mango.
- Desbloquear las palancas de bloqueo del mango.
- Tirar hacia arriba y hacia atrás del mango ensamblado hasta que esté completamente extendido en la posición de funcionamiento.
- Girar las palancas de bloqueo del mango para asegurarlas en su lugar.

ARMADO

ARMADO DEL RECEPTOR DE HIERBA

Vea las figuras 4 y 5.

- Coloque el armazón del receptor de hierba sobre una superficie plana con el mango orientado hacia abajo.
- Oriente la bolsa del receptor de hierba de modo que el piso de vinilo quede hacia arriba y, luego, deslice el armazón en la bolsa. Al instalarlo, deje que el mango del armazón quede fuera de la bolsa y asegúrese de que las costuras de la bolsa queden en los bordes del armazón.
- Enganche el clip por sobre la barra del armazón para asegurarlo.
- Levante el piso de vinilo de la bolsa hasta la parte superior de la barra del armazón para asegurarlo.
- Utilizando el mismo método, enganche los clips restantes a cada lado de la bolsa a la barra del armazón para asegurarlo.

INSTALACIÓN DEL RECEPTOR DE HIERBA (OPERACIÓN DE ENSACADO TRASERO)

Vea la figura 6.

- Retire la llave del arranque de fusible y paquete de baterías.
- Levante la puerta de descarga posterior.
- Levante el receptor de hierba por su mango y colóquelo debajo de la puerta de descarga posterior de modo que los ganchos del receptor de hierba queden asentados en la caja del podadora.
- Suelte la puerta de descarga posterior.
- Vuelva a instalar la llave del arranque y el paquete de baterías cuando esté listo para podar el pasto.

OPERACIÓN DE MULCHING

Si se va a hacer mulching, no instalar el recolector de césped. La puerta de mulching está moldeada en la puerta de descarga trasera. Cerrar la puerta de descarga trasera garantiza que la podadora de césped está lista para la operación de mulching.

INSTALACIÓN DEL VERTEDEDOR DE DESCARGA LATERAL

Vea la figura 7.

La podadora viene preparada para triturar con la tapa para trituración a resorte colocada. Si desea trabajar con descarga lateral, instale el vertedor correspondiente.

- Retire la llave del arranque de fusible y paquete de baterías.
- Levante y sujete la tapa para trituración.
- Inserte el vertedor de descarga lateral como se muestra en la imagen, alineando las dos muescas con las lengüetas a cada lado de la tapa para trituración.
- Baje la tapa para trituración hasta que las lengüetas queden colocadas en las muescas del vertedor de descarga lateral.
- Vuelva a instalar la llave del arranque y el paquete de baterías cuando esté listo para podar el pasto.

AJUSTE DE LA ALTURA DE LA CUCHILLA

Vea la figura 8.

Para enviarlas, las cuchillas de la podadora se ajustan en una posición de corte bajo. Antes de usar la podadora por primera vez, ajuste la posición de corte a la altura más adecuada para su pasto. El pasto promedio debe tener una longitud de entre 38,10 mm (1-1/2 pulg.) y 50,80 mm (2 pulg.) durante los meses fríos, y entre 50,80 mm (2 pulg.) y 82,55 mm (3-1/4 pulg.) durante los meses calurosos. Nunca corte más de 1/3 de la longitud total del césped a la vez para evitar dañar el césped.

Para ajustar la altura de la cuchilla:

- Retire la llave del arranque y paquetes de baterías.
- Para levantar la altura de la cuchilla, tome el mango de ajuste de altura y muévela hacia la parte posterior de la podadora.
- Para bajar la altura de la cuchilla, tome el mango de ajuste de altura y muévela hacia la parte delantera de la podadora.
- Vuelva a instalar la llave del arranque y el paquetes de baterías cuando esté listo para podar el pasto.

FUNCIONAMIENTO

ADVERTENCIA:

No permita que su familiarización con este tipo de producto lo vuelva descuidado. Tenga presente que un descuido de un instante es suficiente para causar una lesión grave.

ADVERTENCIA:

Siempre utilice protección para los ojos con escudos laterales que cumplan con ANSI Z87.1. La inobservancia de esta advertencia puede causar el lanzamiento de objetos a los ojos, y por consecuencia posibles lesiones serias.

ADVERTENCIA:

No utilice ningún aditamento o accesorio no recomendado por el fabricante de este producto. El empleo de aditamentos o accesorios no recomendados puede causar lesiones serias.

ADVERTENCIA:

Siempre inspeccione la podadora para ver si faltan partes o están dañadas, y las cuchillas para ver si hay un desgaste excesivo, o está despareja o dañada. Usar este producto con falta o está dañada alguna pieza podría tener como resultado herida personal grave.

ADVERTENCIA:

Siempre retire el paquetes de baterías y la llave de arranque de la herramienta cuando esté ensamblando partes, realizando ajustes, limpiando o cuando ésta no esté en uso. Si sigue estas instrucciones evitará un arranque accidental que podría provocar lesiones personales graves.

AVISO:

Antes de cada uso, inspeccione todo el producto para detectar partes dañadas, faltantes o sueltas, como tornillos, tuercas, pernos, tapas, etc. Apriete firmemente todos los sujetadores y las tapas y no accione este producto hasta que todas las partes faltantes o dañadas sean reemplazadas. Póngase en contacto con el servicio al cliente o con un centro de servicio autorizado para obtener ayuda.

USOS

Esta herramienta puede emplearse para el fin señalado abajo:

- Podar el pasto

INSTALAR Y DESMONTAJE LOS PAQUETES DE BATERÍAS

Vea la figura 9.

- Abra la tapa de las baterías.
- Alinee las costillas realizadas del paquete de baterías con las ranuras del puerto de la batería e instale el paquete de baterías en la podadora.

ADVERTENCIA:

Asegúrese de que el pestillo en la parte inferior del paquete de baterías entre adecuadamente en su lugar y que el paquete de baterías esté bien colocado y asegurado en el puerto de batería de la podadora antes de que encenderla. Una falla en colocar el paquete de baterías de forma segura puede causar que el paquete de baterías se desprenda y termine provocando lesiones corporales serias.

- Cierre la tapa de las baterías y asegúrese de que esté bien sujeto.

Extracción del paquete de baterías:

- Abra la tapa de las baterías.
- Presione y mantenga presionado el botón de la traba de las baterías de la parte inferior del paquete de baterías.
- Retire de la podadora el paquete de baterías.
- Cierre la tapa de las baterías y asegúrese de que esté bien sujeto.

Para ver las instrucciones de carga completas, consulte los manuales del operador del paquete de baterías y los modelos de cargador.

ADVERTENCIA:

Para evitar un arranque accidental que pueda provocar lesiones personales graves, siempre extraiga la llave de arranque cuando mueva o transporte la podadora.

FUNCIONAMIENTO

ENCENDIDO Y APAGADO DE LA PODADORA

Vea las figuras 10 y 11.

NOTA: La podadora no arrancará sin la llave de arranque instalada y la batería en la unidad.

- Abra la tapa de las baterías.
- Instale el paquete de baterías.
- Inserte la llave de arranque en la ranura dentro del compartimiento de la batería.
- Cierre la tapa de las baterías y asegúrese de que esté bien sujeto.
- Active el asa y presione el botón de arranque para encender el motor y las cuchillas.
- Para detener la podadora, suelte de el asa.

NOTA: El motor y las cuchillas también arrancarán si primero se acciona presiona el botón de arranque y luego se el asa.

SUGERENCIAS PARA EL PODADO



ADVERTENCIA:

No pode en césped mojado, ya que puede caer al suelo y tener lesiones personales graves.

NOTA: Cargue completamente la batería antes de cada uso para lograr un rendimiento óptimo.

- Asegúrese de que el pasto no tenga piedras, nueces de arbol, palos, alambres ni otros objetos que puedan dañar las cuchillas o el motor de la podadora de pasto. No corte sobre estacas que indican los límites de la propiedad o sobre otros postes metálicos. Dichos objetos podrían ser dañar la lame o lanzados accidentalmente por la podadora en cualquier dirección y provocar lesiones serias al operador y a otras personas.

NOTA: Se recomienda no cortar más de 1/3 de la longitud total del césped a la vez.

- Al cortar hierba frondosa, reduzca la velocidad mientras camina para poder obtener un corte más eficaz y una descarga adecuada de los recortes. Se recomienda utilizar la configuración de corte de descarga lateral cuando se corta en condiciones de gran resistencia.
- No corte la hierba cuando esté mojada. Se pegará a la parte inferior del piso e impedirá evita el embolsado o la trituración adecuada del césped cortado.
- El césped nuevo o grueso puede requerir operar el cortacésped a un ajuste de corte más alto.
- Limpie la parte inferior del piso de la podadora después de cada uso para eliminar recortes de hierba, hojas, suciedad y otros desechos acumulados.

NOTA: Siempre detenga la podadora, permita que las hojas se detengan completamente, retire la llave de arranque y extraiga el paquetes de baterías del puerto de la batería antes de limpiar debajo de la podadora.

MANEJO EN PENDIENTES

Vea la figura 12.



ADVERTENCIA:

Las pendientes son una de las causas principales de accidentes por resbalones y caídas que pueden provocar lesiones graves. El manejo en pendientes requiere precaución extra. Si se siente inseguro en una pendiente, no la pode. Para su seguridad, no intente podar pendientes de más de 15 grados y en pendientes, avance transversalmente y no hacia arriba ni hacia abajo.

- Pode atravesando las pendientes; no hacia arriba ni hacia abajo. Tenga mucha precaución al cambiar de dirección en una pendiente.
- Tenga cuidado con los pozos, surcos, piedras, objetos ocultos o montículos que puedan provocar que se resbale o tropiece. La hierba alta puede ocultar obstáculos. Retire todos los objetos como piedras, ramas de árboles, etc., que puedan provocar tropezones o ser lanzados por las cuchillas.
- Siempre asegúrese de su postura. Un resbalón y caída puede provocar lesiones serias. Si siente que está perdiendo el equilibrio, suelte el palanca de control de la hoja superior inmediatamente.
- No pode el pasto cerca de precipicios, zanjas o terraplenes; podría perder la firmeza de la postura o el equilibrio.

VACIADO DEL RECEPTOR DE HIERBA

Vea la figura 13.

- Detenga la podadora, y espere a que las cuchillas se detengan por completo.
 - Abra la tapa de las baterías.
 - Retire la llave de arranque y el paquete de batería del puerto de la batería.
 - Levante la compuerta de descarga trasera.
- NOTA:** Las manijas están diseñadas para permitir que la bolsa de césped pase entre ellas para una fácil extracción.
- Levante el receptor de césped del mango para retirarlo de la podadora.
 - Vacíe los recortes de hierba.
 - Reinstale el receptor de césped como se indicó anteriormente en este manual.
 - Suelte la compuerta de descarga trasera.
 - Vuelva a instalar la llave del arranque y el paquetes de baterías cuando esté listo para podar el pasto.

MANTENIMIENTO

⚠️ ADVERTENCIA:

Antes de realizar tareas de mantenimiento o limpiar la podadora, asegúrese de que las hojas de la podadora se detengan por completo y de quitar las baterías y la llave de arranque para evitar el arranque accidental y posibles lesiones personales.

⚠️ ADVERTENCIA:

Siempre póngase protección ocular con protección lateral con la marca de cumplimiento de la norma ANSI Z87.1. Si no cumple esta advertencia, los objetos que salen despedidos pueden producirle lesiones serias en los ojos.

⚠️ ADVERTENCIA:

Al reparar la unidad, solo utilice piezas de repuesto idénticas. El empleo de piezas diferentes puede causar un peligro o dañar el producto.

⚠️ ADVERTENCIA:

Nunca use una manguera, agua ni otros líquidos para limpiar o enjuagar la podadora. Los líquidos corrosivos, el agua, los fertilizantes y los productos químicos utilizados con las podadoras pueden ingresar a la unidad o al compartimiento de la batería y dañar los componentes eléctricos o el paquete de la batería, lo que podría resultar en un corto circuito, mayor riesgo de incendio y lesiones personales graves. Retire la acumulación de pasto y hojas alrededor de la carcasa de la podadora o debajo de la plataforma de la podadora. Limpie la podadora con un trapo seco de manera ocasional.

AVISO:

Inspeccione periódicamente todo el producto para detectar partes dañadas, faltantes o sueltas, como tornillos, tuercas, pernos, tapas, etc. Apriete firmemente todos los sujetadores y las tapas y no accione este producto hasta que todas las partes faltantes o dañadas sean reemplazadas. Póngase en contacto con el servicio al cliente o con un centro de servicio autorizado para obtener ayuda.

MANTENIMIENTO GENERAL

Evite el empleo de solventes al limpiar piezas de plástico. La mayoría de los plásticos son susceptibles a diferentes tipos de solventes comerciales y pueden resultar dañados. Utilice paños limpios para eliminar la suciedad, el polvo, el aceite, la grasa, etc.

⚠️ ADVERTENCIA:

No permita en ningún momento que fluidos para frenos, gasolina, productos a base de petróleo, aceites penetrantes, etc., lleguen a tocar las piezas de plástico. Las sustancias químicas pueden dañar, debilitar o destruir el plástico, lo cual a su vez puede producir lesiones corporales serias.

LUBRICACIÓN

Todos los cojinetes de este producto están lubricados con suficiente cantidad de aceite de alta calidad para toda la vida útil de la unidad en condiciones normales de funcionamiento. Por lo tanto, no se necesita lubricación adicional de los cojinetes.

REEMPLAZO DE LA CUCHILLA

Vea las figuras 14 y 15.

⚠️ ADVERTENCIA:

Siempre protéjase las manos usando guantes gruesos y/o envolviendo los bordes de corte de las cuchillas con paños y otro material al realizar el mantenimiento de las cuchillas. Contacto con la hoja podría causar lesiones serias.

⚠️ ADVERTENCIA:

La cuchilla de corte puede moverse incluso cuando se retira la batería y se apaga la fuente de alimentación.

⚠️ ADVERTENCIA:

Nunca active las cuchillas al transportar la podadora de un lugar a otro. Detenga las cuchillas si se requiere la carga durante el transporte por superficies que no son césped. Solo active las cuchillas presionando el botón de inicio cuando esté listo para podar. El incumplimiento de estas instrucciones podría causar lesiones personales de gravedad.

NOTA: Utilice únicamente piezas de repuesto autorizadas.

- Apague el motor y retire la llave del arranque. Permita que la cuchilla se detenga por completo.
- Retire el paquete de baterías.
- Gire la podadora sobre su costado.
- Introduzca a presión un bloque de madera entre la cuchilla y el piso de la podadora para evitar que la cuchilla gire.
- Afloje la tuerca de la cuchilla al girarlo a la izquierda (como se observa en la base de la podadora) usando una llave de tuercas o de boca tubular de 15 mm (no se suministra).

MANTENIMIENTO

- Retire la tuerca de la cuchilla, el separador, el aislante de cuchilla y la cuchilla.
- Asegúrese de que el soporte de cuchilla esté totalmente empujado contra el eje del motor.
- Inspeccionar la cuchilla y reemplazarla según sea necesario.

ADVERTENCIA:

Si lo hace, vuelva a colocarlos antes de colocar las cuchillas en el eje. Si no los coloca, la cuchilla podría salirse o perder estabilidad, ya que no quedará bien ajustada, lo que podría causar lesiones personales graves.

- Coloque la nueva cuchilla en el eje contra los pernos de la cuchilla del buje. Asegúrese de que la cuchilla quede bien colocada con el eje en dirección al orificio de la cuchilla del centro y de que los dos pernos de la cuchilla del buje queden insertados en sus respectivos orificios en la cuchilla. Asegúrese de que esté instalada con los extremos curvos orientados hacia arriba, donde está el piso de la podadora, y no hacia abajo, donde está el suelo. Si está asentada correctamente, la cuchilla permanecerá plana.
- Vuelva a colocar el aislante de cuchilla y el separador; luego, enrosque la tuerca de la cuchilla en el eje y apriétela con los dedos.

NOTA: Asegúrese de volver a colocar todas las piezas en el orden exacto en que fueron retiradas.

- Apriete la tuerca de la cuchilla derecha usando una llave dinamométrica (no suministrada) para asegurar que el perno esté apretado correctamente. La fuerza de torsión recomendada para la tuerca de la cuchilla es de 325 a 400 lb-pulg.

ADVERTENCIA:

Asegúrese de que las hojas esté correctamente asentada y que la tuerca de las hojas esté ajustada según las especificaciones de par de torsión anteriores. Si no conecta las hojas correctamente, puede aflojarse y generar posibles lesiones personales graves.

GUARDADO DE LA PODADORA

Veá las figuras 16 y 17.

ADVERTENCIA:

Quite todos los paquetes de baterías del puerto de la batería, además de la llave de arranque, y guarde la unidad en interiores, en un lugar seguro y seco, fuera del alcance de los niños, para evitar el uso no autorizado de la podadora de césped y posibles lesiones personales.

- Antes de guardarla, espere a que la podadora se enfríe.
- Limpie la humedad, la suciedad o los residuos del área de la batería.
- Vacíe el recolector de césped.
- Levante la podadora para colocarla en posición de almacenamiento vertical y limpie los recortes de hierba que se acumularon en la parte inferior del piso de la podadora.
- Limpie la podadora con un paño seco.
- Verifique el apriete de todos los pernos, tuercas, perillas, tornillos, sujetadores, etcétera.
- Inspeccione las piezas móviles para ver si hay daños, rupturas y desgaste. Haga que reparen todas las piezas dañadas o faltantes. Verifique que las cuchillas no esté dañada o desgastada excesivamente en forma irregular y reemplácela si existen estas condiciones.
- Guarde la podadora en el interior, en un lugar limpio y seco, lejos del alcance de los niños.
 - Para almacenar la podadora en posición horizontal, baje el conjunto del mango. Evite doblar o atrapar cables.
 - Para almacenar la podadora en posición vertical, quite la bolsa para césped, luego baje el conjunto del mango. Evite doblar o atrapar cables. Levante la podadora 90° para apoyarla sobre el soporte trasero.

AVISO:

No permita que se enreden el cable del arrancador pellizque al bajar de los mangos.

- No la guarde cerca de materiales corrosivos como fertilizantes o sal gema.

ACCESORIOS

Busque estos accesorios en la misma tienda en la que adquirió este producto o llame al 1-800-525-2579:

- Cuchilla de repuesto para podadora de 508 mm (20 pulg.) de RYOBI.....AC04029
- Traceur de gazon.....ACLS01
- Couverture de tondeuse.....ACMC02
- Remplacement du sac en tissu.....ACPM07



ADVERTENCIA:

Arriba se señalan los aditamentos y accesorios disponibles para usarse con esta herramienta. No utilice ningún aditamento o accesorio no recomendado por el fabricante de esta herramienta. El empleo de aditamentos o accesorios no recomendados puede causar lesiones serias.

CORRECCIÓN DE PROBLEMAS

SI CON ESTAS SOLUCIONES NO SE RESUELVE EL PROBLEMA, COMUNÍQUESE CON EL CONCESIONARIO DE SERVICIO AUTORIZADO DE SU PREFERENCIA.

PROBLEMA	CAUSA POSIBLE	SOLUCIÓN
El mango no está en posición.	Los pasadores de ajuste del mango no están en su lugar.	Tirar hacia arriba de la palanca de bloqueo del mango, soltar y asegurarse de que los pasadores de ajuste del mango estén bloqueados en su lugar.
La podadora no enciende.	La batería es baja en la carga. La llave del arranque no está instalada. Residuos en el compartimiento de la batería. El conjunto del mango no está en la posición de funcionamiento.	Cargue la batería. Instale la llave del arranque. Asegúrese de que los nodos y las terminales están libres de residuos. Eleve el mango inferior y el superior.
La podadora corta la hierba en forma despareja.	La hierba es dura o la altura de corte no está ajustada correctamente. La cuchilla está desequilibrada, o desgastada excesivamente o de forma desigual.	Ajuster la altura de corte. Reemplace la cuchilla.
La podadora no tritura el pasto correctamente.	Hay recortes de hierba mojada pegados en la parte inferior del piso. La cuchilla está desequilibrada, o desgastada excesivamente o de forma desigual.	Espere hasta que la hierba se seque antes de podar. Reemplace la cuchilla.
Es difícil empujar la podadora.	La hierba está alta, la parte posterior del alojamiento de la podadora y la cuchilla se arrastran por hierba frondosa, o la altura de corte es demasiado baja.	Levante la altura de corte.
La podadora no recolecta correctamente.	La altura de corte es muy baja. El césped bloquea el vertedor trasero de la podadora.	Levante la altura de corte. Apague el motor, desconecte la llave del arranque y paquetes de baterías. Retire la bolsa del receptor de hierba y elimine la obstrucción.
La podadora vibra a mayor velocidad.	La cuchilla está desequilibrada, gastada excesivamente o en forma irregular. El eje del motor está doblado.	Reemplace la cuchilla. Apague el motor, desconecte la llave del arranque y paquetes de baterías. Inspeccione la unidad para ver si están dañadas. Lleve la unidad a un centro de servicio autorizado para que la reparen antes de volver a encenderla.
Motor se detiene mientras corta el césped.	La altura de corte es muy baja.	Levante la altura de corte.
Dos luces internas par-padean en el indicador de la batería. La podadora no arranca.	Sobrecorriente, carga excesiva en la cuchilla de la podadora.	Suba la altura de corte y asegúrese de que la plataforma esté libre de residuos. Si es aconsejable, recomendamos cambiar a embolsado o descarga lateral para aligerar la carga.
Dos luces externas par-padean en el indicador de la batería. La podadora no arranca.	Baterías por encima del límite de temperatura.	Llevar las baterías adentro para enfriarlas. Colocar la podadora a la sombra o en un área fría hasta que las baterías dejen de mostrar el mensaje de error.

**Este producto tiene una garantía limitada de cinco años para fines personales, familiares o domésticos (Un año para usos trabajo o comercial).
Para obtener detalles sobre la garantía, diríjase a www.ryobitools.com
o llame sin cargo al 1-800-525-2579.**



OPERATOR'S MANUAL MANUEL D'UTILISATION / MANUAL DEL OPERADOR

20 in. 40V BRUSHLESS LAWN MOWER
20 PO (508 MM) TONDEUSE À GAZON DE 40 V SANS BALAIS
20 PULG. (508 MM) CORTACÉSPED SIN ESCOBILLAS DE 40 V

RY40HPLM06

• **PARTS AND SERVICE:** Prior to requesting service or purchasing replacement parts, please obtain your item, manufacturing, and serial numbers from the product data plate.

ITEM NO.* _____ MANUFACTURING NO. _____

SERIAL NO. _____

* Model/item number on product may have additional letters at the end. These letters designate manufacturing information and should be provided when calling for service.

HOW TO OBTAIN REPLACEMENT PARTS: Replacement parts can be purchased online at www.ryobitools.com or by calling 1-800-525-2579. Replacement parts can also be obtained at one of our service centers.

HOW TO LOCATE A SERVICE CENTER: Service centers can be located online at www.ryobitools.com or by calling 1-800-525-2579.

HOW TO OBTAIN CUSTOMER OR TECHNICAL SUPPORT: To obtain customer or technical support please contact us at 1-800-525-2579.

RYOBI is a registered trademark of Ryobi Limited and is used pursuant to a license granted by Ryobi Limited.

• **PIÈCES ET SERVICE :** Avant de faire la demande de service ou l'achat de pièces de remplacement, veuillez obtenir le numéro d'article, le numéro de fabrication et le numéro de série à partir de la plaque de données du produit.

NUMÉRO D'ARTICLE* _____ NUMÉRO DE FABRICATION _____

NUMÉRO DE SÉRIE _____

* Le numéro de modèle/article sur le produit peut contenir des lettres supplémentaires à la fin. Ces lettres désignent les informations du fabricant et doivent être fournies lors d'un appel de demande de service.

COMMENT OBTENIR LES PIÈCES DE REMPLACEMENT : Les pièces de remplacement peuvent être achetées en ligne sur le site www.ryobitools.com ou par téléphone au 1-800-525-2579. Les pièces de remplacement peuvent être obtenues à un de nos centres de service.

COMMENT TROUVER UN CENTRE DE SERVICE : Les centres de service peuvent être localisés en ligne au www.ryobitools.com ou en téléphonant au 1-800-525-2579.

COMMENT OBTENIR DE L'AIDE EN CONTACTANT LE SERVICE À LA CLIENTÈLE : Pour contacter le service à la clientèle pour une question technique ou pour tout autre renseignement, veuillez nous téléphoner au 1-800-525-2579.

RYOBI est une marque déposée de Ryobi Limited et est utilisée en vertu d'une licence accordée par Ryobi Limited.

• **PIEZAS DE REPUESTO Y SERVICIO:** Antes de solicitar servicio técnico o comprar piezas de repuesto, obtenga su número de artículo, el número de fabricación y el número de serie de la placa de datos del producto.

NUMÉRO DE ARTÍCULO* _____ NUMÉRO DE FABRICACIÓN _____

NUMÉRO DE SERIE _____

* El número de modelo/artículo que figura en el producto podría tener letras adicionales al final. Estas designan información de fabricación y deben suministrarse cuando llame para obtener asistencia o servicio.

CÓMO OBTENER PIEZAS DE REPUESTO: Las piezas de repuesto se pueden comprar en nuestro sitio en la red mundial, en la dirección www.ryobitools.com o llamando al 1-800-525-2579. Las piezas de repuesto también se pueden obtener en uno de nuestros centros de servicio.

CÓMO LOCALIZAR UN CENTRO DE SERVICIO: Puede encontrar los centros de servicio visitando nuestro sitio en la red mundial, en la dirección www.ryobitools.com o llamando al 1-800-525-2579.

CÓMO OBTENER SERVICIO O ASISTENCIA TÉCNICA AL CONSUMIDOR: Para obtener servicio o asistencia técnica al consumidor, sírvase comunicarse con nosotros llamando al 1-800-525-2579.

RYOBI es una marca registrada de Ryobi Limited y se utiliza conforme a una licencia otorgada por Ryobi Limited.

TTI OUTDOOR POWER EQUIPMENT, INC.

999000570
7-9-25 (REV:01)

P.O. Box 1288, Anderson, SC 29622, USA
1-800-525-2579 • www.ryobitools.com



EXPAND-IT
ATTACHMENTS



REGISTER YOUR TOOLS

<http://register.ryobitools.com>
1-800-525-2579

For quick tool registration and service – scan and download the RYOBI app.

OPERATOR'S MANUAL

MANUEL D'UTILISATION

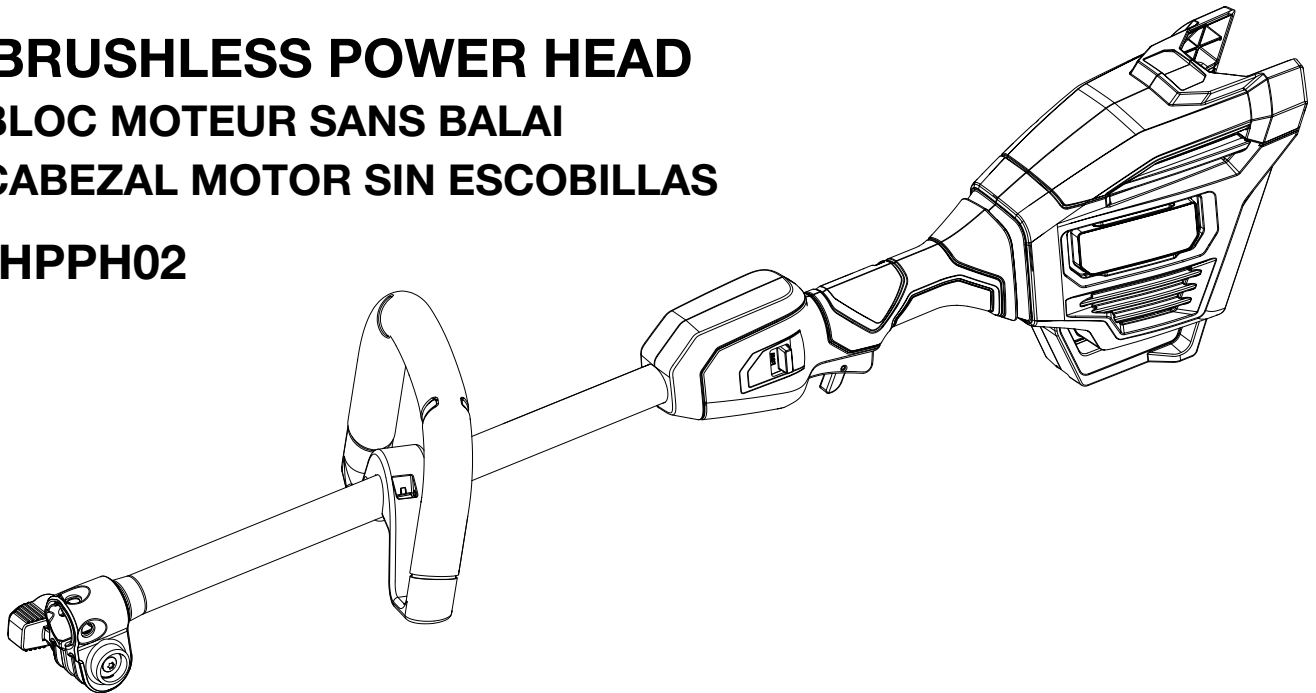
MANUAL DEL OPERADOR

40V BRUSHLESS POWER HEAD

40 V BLOC MOTEUR SANS BALAI

40 V CABEZAL MOTOR SIN ESCOBILLAS

RY40HPPH02



- Important Safety Instructions..... 2-3
- Symbols 4
- Features 5
- Assembly..... 5-6
- Operation 6-7
- Maintenance..... 8
- Troubleshooting..... 8
- Parts Ordering and Service Back Page

- Instructions importantes concernant la securite..... 2-3
- Symboles 3-4
- Caractéristiques 5
- Assemblage..... 5-6
- Utilisation 6-7
- Entretien 8
- Dépannage..... 8
- Commande de pièces et réparation Page arrière

- Instrucciones de seguridad importantes 2-3
- Símbolos 4
- Características 5
- Armado..... 5-6
- Funcionamiento..... 6-7
- Mantenimiento 8
- Corrección de problemas..... 8
- Pedidos de piezas y servicio Pág. posterior

⚠ WARNING: To reduce the risk of injury, the user must read and understand the operator's manual before using this product.

⚠ AVERTISSEMENT : Pour réduire les risques de blessures, l'utilisateur doit lire et veiller à bien comprendre le manuel d'utilisation avant d'employer ce produit.

⚠ ADVERTENCIA: Para reducir el riesgo de lesiones, el usuario debe leer y comprender el manual del operador antes de usar este producto.

SAVE THIS MANUAL FOR FUTURE REFERENCE

CONSERVER CE MANUEL POUR FUTURE RÉFÉRENCE

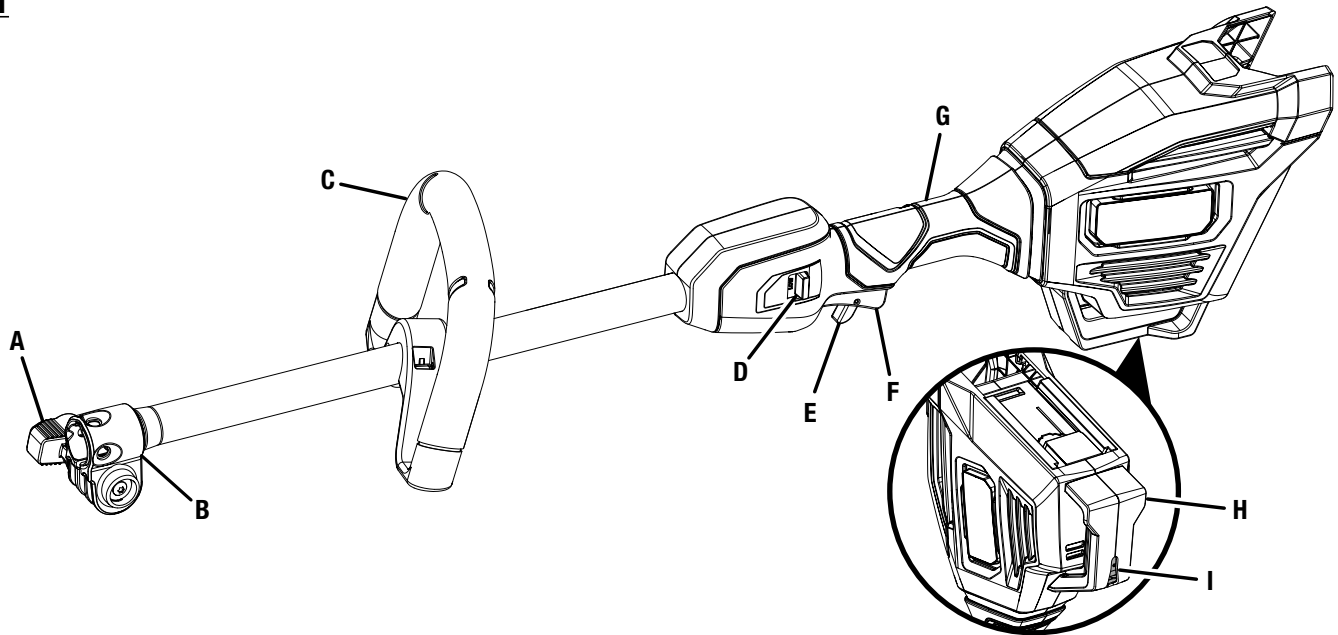
GUARDE ESTE MANUAL PARA FUTURAS CONSULTAS

See this fold-out section for all the figures referenced in the operator's manual.

Voir que cette section d'encart pour toutes les figures a adressé dans le manuel d'utilisation.

Vea esta sección de la página desplegable para todas las figuras mencionó en el manual del operador.

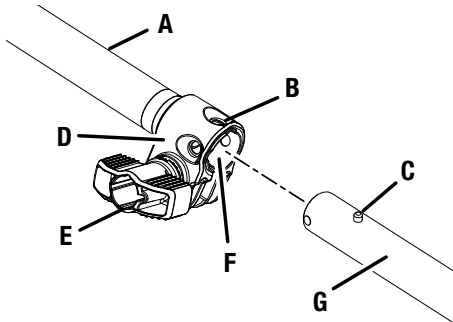
Fig. 1



- A - Knob (bouton, perilla)
- B - Coupler (coupleur, acoplador)
- C - Front handle (poignée avant, mango delantero)
- D - Speed switch (interrupteur de vitesse, interruptor de velocidad)
- E - Trigger lock-out (gâchette avec verrou, gatillo con seguro)

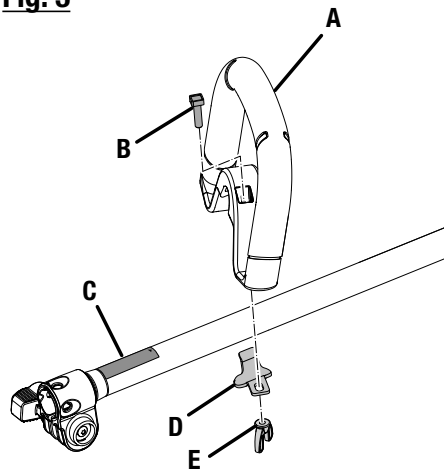
- F - Switch trigger (gâchette, gatillo del interruptor)
- G - Rear handle (poignée arrière, mango trasero)
- H - LINK hanger (support LINK, gancho LINK)
- I - Keyhole hanger (crochet à trou de serrure, gancho para ranura)

Fig. 2



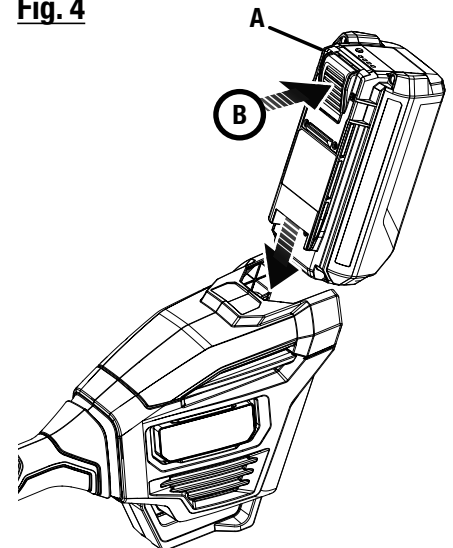
- A - Power head shaft (arbre du bloc moteur, eje del cabezal motor)
- B - Positioning hole (trou de positionnement, orificio de posicionamiento)
- C - Button (bouton, botón)
- D - Coupler (coupleur, acoplador)
- E - Knob (bouton, perilla)
- F - Guide recess (logement guide, hueco guía)
- G - Attachment shaft (arbre d'accessoire, eje del aditamento)

Fig. 3



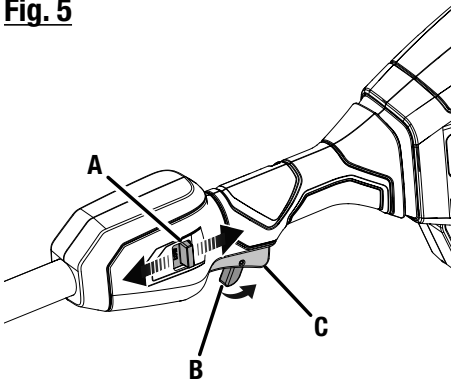
- A - Front handle (poignée avant, mango delantero)
- B - Bolt (boulon, perno)
- C - Handle position label (étiquette de position de la poignée, etiqueta de posición del mango)
- D - Bracket (support, soporte)
- E - Wing nut (écrou à oreilles, tuerca de mariposa)

Fig. 4



- A - Battery pack (bloc-piles, paquete de baterías)
- B - Latch (loquet, pestillo)

Fig. 5



- A - Speed switch (interrupteur de vitesse, interruptor de velocidad)
B - Trigger lock-out (gâchette avec verrou, gatillo con seguro)
C - Switch trigger (gâchette, gatillo del interruptor)

Fig. 6

TYPICAL OPERATING POSITION FOR ATTACHMENTS USED BELOW THE WAIST. SEE YOUR ATTACHMENT OPERATOR'S MANUAL FOR DETAILS SPECIFIC TO YOUR ATTACHMENT.

POSITION DE FONCTIONNEMENT TYPIQUE POUR LES ACCESSOIRES UTILISÉS SOUS LE NIVEAU DE LA TAILLE. SE RÉFÉRER AU MANUEL D'UTILISATION DE VOTRE ACCESSOIRE POUR LES DÉTAILS SPÉCIFIQUES À VOTRE ACCESSOIRE.

POSICIÓN OPERATIVA TÍPICA PARA ACCESORIOS QUE SE USAN DEBAJO DE LA CINTURA. CONSULTE EL MANUAL DEL OPERADOR DE SU ACCESORIO PARA OBTENER DETALLES AL RESPECTO.

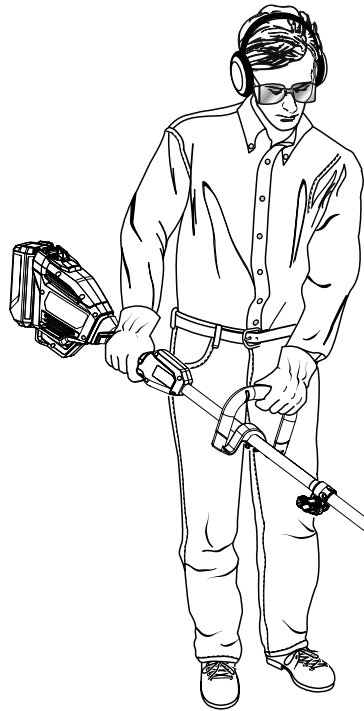
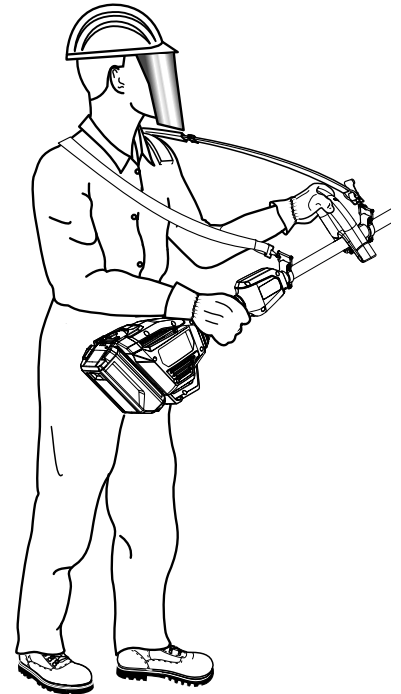


Fig. 7

TYPICAL OPERATING POSITION FOR ATTACHMENTS USED ABOVE THE WAIST. SEE YOUR ATTACHMENT OPERATOR'S MANUAL FOR DETAILS SPECIFIC TO YOUR ATTACHMENT.

POSITION DE FONCTIONNEMENT TYPIQUE POUR LES ACCESSOIRES UTILISÉS AU-DESSUS LE NIVEAU DE LA TAILLE. SE RÉFÉRER AU MANUEL D'UTILISATION DE VOTRE ACCESSOIRE POUR LES DÉTAILS SPÉCIFIQUES À VOTRE ACCESSOIRE.

POSICIÓN OPERATIVA TÍPICA PARA ACCESORIOS QUE SE USAN ENCIMA DE LA CINTURA. CONSULTE EL MANUAL DEL OPERADOR DE SU ACCESORIO PARA OBTENER DETALLES AL RESPECTO.



IMPORTANT SAFETY INSTRUCTIONS

WARNING!

Read all safety warnings, instructions, illustrations and specifications provided with this power tool. Failure to follow all instructions listed below may result in electric shock, fire and/or serious injury.

Save all warnings and instructions for future reference. The term “power tool” in the warnings refers to your mains-operated (corded) power tool or battery-operated (cordless) power tool.

WORK AREA SAFETY

- **Keep work area clean and well lit.** Cluttered or dark areas invite accidents.
- **Do not operate power tools in explosive atmospheres, such as in the presence of flammable liquids, gases or dust.** Power tools create sparks which may ignite the dust or fumes.
- **Keep children and bystanders away while operating a power tool.** Distractions can cause you to lose control.

ELECTRICAL SAFETY

- **Power tool plugs must match the outlet. Never modify the plug in any way. Do not use any adapter plugs with earthed (grounded) power tools.** Unmodified plugs and matching outlets will reduce risk of electric shock.
- **Avoid body contact with earthed or grounded surfaces such as pipes, radiators, ranges and refrigerators.** There is an increased risk of electric shock if your body is earthed or grounded.
- **Do not expose power tools to rain or wet conditions.** Water entering a power tool will increase the risk of electric shock.
- **Do not abuse the cord. Never use the cord for carrying, pulling or unplugging the power tool. Keep cord away from heat, oil, sharp edges or moving parts.** Damaged or entangled cords increase the risk of electric shock.
- **When operating a power tool outdoors, use an extension cord suitable for outdoor use.** Use of a cord suitable for outdoor use reduces the risk of electric shock.
- **If operating a power tool in a damp location is unavoidable, use a ground fault circuit interrupter (GFCI) protected supply.** Use of a GFCI reduces the risk of electric shock.

PERSONAL SAFETY

- **Stay alert, watch what you are doing and use common sense when operating a power tool. Do not use a power tool while you are tired or under the influence of drugs, alcohol or medication.** A moment of inattention while operating power tools may result in serious personal injury.

- **Use personal protective equipment. Always wear eye protection.** Protective equipment such as dust mask, non-skid safety shoes, hard hat, or hearing protection used for appropriate conditions will reduce personal injuries.
- **Prevent unintentional starting. Ensure the switch is in the off-position before connecting to power source and/or battery pack, picking up or carrying the tool.** Carrying power tools with your finger on the switch or energising power tools that have the switch on invites accidents.
- **Remove any adjusting key or wrench before turning the power tool on.** A wrench or a key left attached to a rotating part of the power tool may result in personal injury.
- **Do not overreach. Keep proper footing and balance at all times.** This enables better control of the power tool in unexpected situations.
- **Dress properly. Do not wear loose clothing or jewellery. Keep your hair, clothing and gloves away from moving parts.** Loose clothes, jewellery or long hair can be caught in moving parts.
- **If devices are provided for the connection of dust extraction and collection facilities, ensure these are connected and properly used.** Use of dust collection can reduce dust-related hazards.
- **Do not let familiarity gained from frequent use of tools allow you to become complacent and ignore tool safety principles.** A careless action can cause severe injury within a fraction of a second.

POWER TOOL USE AND CARE

- **Do not force the power tool. Use the correct power tool for your application.** The correct power tool will do the job better and safer at the rate for which it was designed.
- **Do not use the power tool if the switch does not turn it on and off.** Any power tool that cannot be controlled with the switch is dangerous and must be repaired.
- **Disconnect the plug from the power source and/or the battery pack from the power tool before making any adjustments, changing accessories, or storing power tools.** Such preventive safety measures reduce the risk of starting the power tool accidentally.
- **Store idle power tools out of the reach of children and do not allow persons unfamiliar with the power tool or these instructions to operate the power tool.** Power tools are dangerous in the hands of untrained users.
- **Maintain power tools and accessories. Check for misalignment or binding of moving parts, breakage of parts and any other condition that may affect the power tool's operation. If damaged, have the power tool repaired before use.** Many accidents are caused by poorly maintained power tools.

IMPORTANT SAFETY INSTRUCTIONS

- **Keep cutting tools sharp and clean.** Properly maintained cutting tools with sharp cutting edges are less likely to bind and are easier to control.
- **Use the power tool, accessories and tool bits etc. in accordance with these instructions, taking into account the working conditions and the work to be performed.** Use of the power tool for operations different from those intended could result in a hazardous situation.
- **Keep handles and grasping surfaces dry, clean and free from oil and grease.** Slippery handles and grasping surfaces do not allow for safe handling and control of the tool in unexpected situations.
- **Do not expose a battery pack or tool to fire or excessive temperature.** Exposure to fire or temperature above 265°F may cause explosion.
- **Follow all charging instructions and do not charge the battery pack or tool outside the temperature range specified in the instructions.** Charging improperly or at temperatures outside the specified range may damage the battery and increase the risk of fire.
- Use this product only with batteries and chargers listed in tool/appliance/battery pack/charger correlation supplement 988000-842. Refer to individual attachment manual(s) for any limitations.

BATTERY TOOL USE AND CARE

- **Recharge only with the charger specified by the manufacturer.** A charger that is suitable for one type of battery pack may create a risk of fire when used with another battery pack.
- **Use power tools only with specifically designated battery packs.** Use of any other battery packs may create a risk of injury and fire.
- **When battery pack is not in use, keep it away from other metal objects, like paper clips, coins, keys, nails, screws or other small metal objects, that can make a connection from one terminal to another.** Shorting the battery terminals together may cause burns or a fire.
- **Under abusive conditions, liquid may be ejected from the battery; avoid contact. If contact accidentally occurs, flush with water. If liquid contacts eyes, additionally seek medical help.** Liquid ejected from the battery may cause irritation or burns.
- **Do not use a battery pack or tool that is damaged or modified.** Damaged or modified batteries may exhibit unpredictable behaviour resulting in fire, explosion or risk of injury.

SERVICE

- **Have your power tool serviced by a qualified repair person using only identical replacement parts.** This will ensure that the safety of the power tool is maintained.
- **Never service damaged BATTERY packs.** Service of BATTERY packs should only be performed by the manufacturer or authorized service providers.
- **When servicing a power tool, use only identical replacement parts. Follow instructions in the Maintenance section of this manual.** Use of unauthorized parts or failure to follow Maintenance instructions may create a risk of shock or injury.




USING A BRUSH CUTTER ATTACHMENT

- When using a Brush Cutter attachment, follow the manufacturer's instructions for installing the handle and safety harness.
- Only use this Power Head with RYOBI 40V batteries listed in the RYOBI RYBRC Brush Cutter Operator's Manual.










SAVE THESE INSTRUCTIONS ALONG WITH THE INSTRUCTIONS FOR ANY ATTACHMENTS – Read and understand these instructions and the instructions for your attachments thoroughly before using this power head and any attachment.

SYMBOLS

The following signal words and meanings are intended to explain the levels of risk associated with this product.

SYMBOL	SIGNAL	MEANING
	DANGER:	Indicates a hazardous situation, which, if not avoided, will result in death or serious injury.
	WARNING:	Indicates a hazardous situation, which, if not avoided, could result in death or serious injury.
	CAUTION:	Indicates a hazardous situation, that, if not avoided, may result in minor or moderate injury.
	NOTICE:	(Without Safety Alert Symbol) Indicates information considered important, but not related to a potential injury (e.g. messages relating to property damage).

Some of the following symbols may be used on this product. Please study them and learn their meaning. Proper interpretation of these symbols will allow you to operate the product better and safer.

SYMBOL	NAME	DESIGNATION/EXPLANATION
	Safety Alert	Indicates a potential personal injury hazard.
	Read Operator's Manual	To reduce the risk of injury, user must read and understand operator's manual before using this product.
	Eye and Hearing Protection	Always wear eye protection with side shields marked to comply with ANSI Z87.1 along with hearing protection when operating this equipment.
	Wet Conditions Alert	Risk of fire and burns. Do not expose to rain. Do not expose battery, battery compartment, or electronic components to rain, water, or liquids. Do not operate on wet ground.
	Keep Bystanders Away	Keep all bystanders at least 50 ft. away.
	Ricochet	Thrown objects can ricochet and result in personal injury or property damage.
	Disconnect battery before maintenance	To reduce the risk of injury, user must remove the battery prior to performing service or maintenance on the product.
	Recycle Symbol	This product uses lithium-ion (Li-ion) batteries. Local, state, or federal laws may prohibit disposal of batteries in ordinary trash. Consult your local waste authority for information regarding available recycling and/or disposal options.
	Direct Current	Type or a characteristic of current
n_0	No Load Speed	Rotational speed, at no load
.../min	Per Minute	Revolutions, strokes, surface speed, orbits etc., per minute
V	Volts	Voltage
Hz	Hertz	Frequency (cycles per second)
min	Minutes	Time

FEATURES

KNOW YOUR POWER HEAD

See Figure 1.

The safe use of this product requires an understanding of the information on the tool and in this operator's manual as well as a knowledge of the project you are attempting. Before use of this product, familiarize yourself with all operating features and safety rules.

HANDLE OVERMOLD

Handle overmold provides added user comfort.

SPEED SWITCH

This tool has a speed selector that allows the operator to choose between HI and LOW speeds. Using low speed during operation can help extend battery run time, while using high speed will improve power and performance.

TRIGGER LOCK-OUT

The trigger lock-out prevents accidental starting.

VARIABLE SPEED SWITCH TRIGGER

This tool has a variable speed switch that delivers higher speed with increased trigger pressure. Speed is controlled by the amount of switch trigger depression.

ASSEMBLY

UNPACKING

This product requires assembly.

- Carefully remove the product and any accessories from the box. Make sure that all items listed in the **Packing List** are included.

WARNING:

Do not use this product if any parts on the **Packing List** are already assembled to your product when you unpack it. Parts on this list are not assembled to the product by the manufacturer and require customer installation. Use of a product that may have been improperly assembled could result in serious personal injury.

- Inspect the product carefully to make sure no breakage or damage occurred during shipping.
- Do not discard the packing material until you have carefully inspected and satisfactorily operated the product.
- If any parts are damaged or missing, please call 1-800-525-2579 for assistance.

PACKING LIST

Power Head

Front Handle Assembly

Operator's Manual

WARNING:

If any parts are damaged or missing do not operate this product until the parts are replaced. Use of this product with damaged or missing parts could result in serious personal injury.

WARNING:

Do not attempt to modify this product or create accessories not recommended for use with this product. Any such alteration or modification is misuse and could result in a hazardous condition leading to possible serious personal injury.

WARNING:

To prevent accidental starting that could cause serious personal injury, always remove the battery pack from the product when assembling parts.

INSTALLING AN ATTACHMENT TO THE POWER HEAD

See Figure 2.

WARNING:

Read and understand entire Operator's Manual for each optional attachment used on this power head and follow all warnings and instructions. Failure to follow all instructions could result in electric shock, fire and/or serious personal injury.

WARNING:

This 40V power head is designed to be used only with the attachment models that are specified in this Operator's Manual. Use of other attachments could cause serious personal injuries or property damage.

ASSEMBLY

WARNING:

Never install, remove, or adjust any attachment while power head is running. Failure to stop the motor can cause serious personal injury. Never operate power head without an attachment.

This 40V power head may be used with only the following RYOBI EXPAND-IT attachments:

- RYBRC Brush Cutter
- RYHDG Hedge Trimmers
- RYGUT Gutter Blower
- RY15518, RYEDG11, RYEDG12 and RYEDG Edgers
- RYAXA22 Blower
- RY15523, RY15523A, RY15526, RY15527 and RYSST44 Straight Shaft String Trimmers
- RY15550, RYTIL66 and RYTIL Cultivators
- RY15520, RYPRN33 and RYPRN Pruners
- RYSNW00 Snow Thrower
- RYSWP25, RYSWP and RYSWPRUB Sweepers

The attachment connects to the power head by means of a coupler device.

- Stop the motor and remove the battery pack.
- Loosen the knob on the coupler of the power head shaft and remove the end cap from the attachment.
- Push in the button located on the attachment shaft. Align the button with the guide recess on the power head coupler and slide the two shafts together. Rotate the attachment shaft until the button locks into the positioning hole.

NOTE: If the button does not release completely in the positioning hole, the shafts are not locked into place. Slightly rotate from side to side until the button is locked into place.

- Tighten the knob securely.

WARNING:

Be certain the knob is fully tightened before operating equipment; check it periodically for tightness during use to avoid serious personal injury.

REMOVING THE ATTACHMENT FROM THE POWER HEAD

- Stop the motor and remove the battery pack.
- Loosen the knob.
- Push in the button and twist the shafts to remove and separate ends.

ATTACHING THE FRONT HANDLE

See Figure 3.

- Remove wing nut, bracket, and bolt from the front handle.
- Install the front handle bracket at the arrow as indicated by the label on the upper shaft.
- Place the bolt through the front handle and bracket.

NOTE: The hex bolt head fits inside the hex recess molded into one side of the handle.

- Reinstall the wing nut.
- Tighten wing nut securely.

OPERATION

WARNING:

Read and understand entire Operator's Manual for each optional attachment used on this power head and follow all warnings and instructions. Failure to follow all instructions could result in electric shock, fire and/or serious personal injury.

WARNING:

Do not allow familiarity with products to make you careless. Remember that a careless fraction of a second is sufficient to inflict serious injury.

WARNING:

Always wear eye protection with side shields marked to comply with ANSI Z87.1. Hearing and/or head protection may also be required depending on the type of attachment used and as prescribed in the attachment's Operator's Manual. Failure to do so could result in objects being thrown into your eyes and other possible serious injuries.

WARNING:

Do not use any attachments or accessories not recommended by the manufacturer of this product. The use of attachments or accessories not recommended can result in serious personal injury.

OPERATION

WARNING:

Never use flailing devices, wire, or rope on this product. Do not use any attachments or accessories not recommended by the manufacturer of this product. The use of attachments or accessories not recommended can result in serious personal injury.

NOTICE:

Before each use, inspect the entire product for damaged, missing, or loose parts such as screws, nuts, bolts, caps, etc. Tighten securely all fasteners and caps and do not operate this product until all missing or damaged parts are replaced. Please contact customer service or an authorized service center for assistance.

INSTALLING/REMOVING BATTERY PACK

See Figure 4.

WARNING:

Always remove battery pack from your tool when you are assembling parts, making adjustments, cleaning, or when not in use. Removing battery pack will prevent accidental starting that could cause serious personal injury.

To install battery pack:

- Align raised ribs on battery pack with grooves in the battery port and place the battery pack in the product.

WARNING:

Make sure the latch on the bottom of the battery pack snaps in place and the battery pack is fully seated and secure in the battery port before beginning operation. Failure to securely seat the battery pack could cause the battery pack to fall out, resulting in serious personal injury.

To remove battery pack:

- Press and hold the battery latch button at the bottom of the battery pack.
- Remove battery pack from the product.

For complete charging instructions, refer to the Operator's Manuals for your RYOBI battery pack and charger models.

WARNING:

To avoid serious personal injury, always remove the battery pack and keep hands clear of the trigger lock-out when carrying or transporting the tool.

STARTING/STOPPING THE POWER HEAD

See Figure 5.

To start:

- Select the desired operating speed (HI or LOW).
- Press and hold the trigger lock-out.
- Depress the switch trigger.

To stop:

- Release the switch trigger to stop the power head.
- Upon release of the switch trigger, the trigger lock-out will automatically reset to the locked position.

OPERATING THE POWER HEAD

See Figures 6 - 7.

Hold the power head with your right hand on the rear handle and your left hand on the front handle. Keep a firm grip with both hands while in operation. Power head should be held at a comfortable position with the rear handle about hip height.

NOTE: The most common operating positions are shown in the figures referenced. For the operating position for your specific attachment, always refer to the operator's manual that came with the attachment.

Always operate power head with switch trigger completely depressed. If debris becomes wrapped around the attachment, **RELEASE THE SWITCH TRIGGER**, remove the battery pack, and remove the debris.

WARNING:

Always hold the power head away from the body keeping clearance between the body and the tool. Any contact with an attachment cutting head can result in burns and/or other serious personal injury.

WARNING:

Read the safety information for safe operation when using an attachment and refer to the safety rules and instructions in your attachment manual. Improper operation of a blade or any attachment could result in serious injury.

MAINTENANCE

WARNING:

To avoid serious personal injury, always remove the battery pack from the tool when cleaning or performing any maintenance.

WARNING:

Always wear eye protection with side shields marked to comply with ANSI Z87.1. Hearing and/or head protection may also be required depending on the type of attachment used and as prescribed in the attachment's Operator's Manual. Failure to do so could result in objects being thrown into your eyes and other possible serious injuries.

WARNING:

When servicing, use only identical replacement parts. Use of any other parts can create a hazard or cause product damage.

NOTICE:

Periodically inspect the entire product for damaged, missing, or loose parts such as screws, nuts, bolts, caps, etc. Tighten securely all fasteners and caps and do not operate this product until all missing or damaged parts are replaced. Please contact customer service or an authorized service center for assistance.

GENERAL MAINTENANCE

Avoid using solvents when cleaning plastic parts. Most plastics are susceptible to damage from various types of

commercial solvents and may be damaged by their use. Use clean cloths to remove dirt, dust, oil, grease, etc.

WARNING:

Do not at any time let brake fluids, gasoline, petroleum-based products, penetrating oils, etc., come in contact with plastic parts. Chemicals can damage, weaken or destroy plastic which can result in serious personal injury.

CLEANING THE POWER HEAD

- Stop the motor and remove the battery pack.
- Clean dirt and debris from the power head using a damp cloth with a mild detergent.

NOTICE:

Do not use any strong detergents on the plastic housing or the handle. They can be damaged by certain aromatic oils such as pine and lemon, and by solvents such as kerosene.

STORING THE POWER HEAD

- Remove the battery pack from the power head before storing.
- Clean all foreign material from the power head.
- Store it in a place that is inaccessible to children.
- Keep away from corrosive agents such as garden chemicals and de-icing salts.
- The key hole hanger and the RYOBI LINK System are located on the bottom of the unit and can be used for hanging purposes.

To use with LINK modular storage system:

- The unit is compatible with the RYOBI LINK System. Use only on the LINK wall rail.

TROUBLESHOOTING

PROBLEM	POSSIBLE CAUSE	SOLUTION
Motor fails to start when switch trigger is depressed.	Battery is not secure.	To secure the battery pack, make sure the latch on the bottom of the battery pack is snapped into place.
	Battery is not charged.	Charge the battery pack according to the instructions included with your model.

This product has a Five-year Limited Warranty for personal, family, or household use (90 days for business or commercial use). For warranty details, visit www.ryobitools.com or call (toll free) 1-800-525-2579.

INSTRUCTIONS IMPORTANTES CONCERNANT LA SECURITE

AVERTISSEMENT !

Lire les avertissements de sécurité, les instructions et les précisions et consulter les illustrations fournis avec cet outil électrique. Le fait de ne pas se conformer à l'ensemble des consignes présentées ci-dessous risque d'entraîner des décharges électriques, un incendie et/ou des blessures graves.

Conserver les avertissements et les instructions à des fins de référence ultérieure. Le terme « outil motorisé », utilisé dans tous les avertissements ci-dessous désigne tout outil fonctionnant sur secteur (câblé) ou sur piles (sans fil).

SÉCURITÉ DU LIEU DE TRAVAIL

- **Garder le lieu de travail propre et bien éclairé.** Les endroits encombrés ou sombres sont propices aux accidents.
- **Ne pas utiliser d'outils électriques dans des atmosphères explosives, par exemple en présence de liquides, gaz ou poussières inflammables.** Les outils électriques produisent des étincelles risquant d'enflammer les poussières ou vapeurs.
- **Garder les enfants et badauds à l'écart pendant l'utilisation d'un outil électrique.** Les distractions peuvent causer une perte de contrôle.

SÉCURITÉ ÉLECTRIQUE

- **Les fiches des outils électriques doivent correspondre à la prise secteur utilisée. Ne jamais modifier la fiche, de quelque façon que ce soit. Ne jamais utiliser d'adaptateurs de fiche avec des outils mis à la terre.** Les fiches et prises non modifiées réduisent le risque de choc électrique.
- **Éviter tout contact du corps avec des surfaces mises à la terre, telles que tuyaux, radiateurs, cuisinières et réfrigérateurs.** Le risque de choc électrique est accru lorsque le corps est mis à la terre.
- **Ne pas exposer les outils électriques à l'eau ou l'humidité.** La pénétration d'eau dans ces outils accroît le risque de choc électrique.
- **Ne pas maltraiter le cordon d'alimentation. Ne jamais utiliser le cordon d'alimentation pour transporter l'outil et ne jamais débrancher ce dernier en tirant sur le cordon. Garder le cordon à l'écart de la chaleur, de l'huile, des objets tranchants et des pièces en mouvement.** Un cordon endommagé ou emmêlé accroît le risque de choc électrique.
- **Pour les travaux à l'extérieur, utiliser un cordon spécialement conçu à cet effet.** Utiliser un cordon conçu pour l'usage extérieur pour réduire les risques de choc électrique.
- **S'il est nécessaire d'utiliser l'outil électrique dans un endroit humide, employer un dispositif interrupteur de défaut à la terre (GFCI).** L'utilisation d'un GFCI réduit le risque de décharge électrique.

SÉCURITÉ PERSONNELLE

- **Rester attentif, prêter attention au travail et faire preuve de bon sens lors de l'utilisation de tout outil électrique. Ne pas utiliser cet outil en état de fatigue ou sous l'influence de l'alcool, de drogues ou de médicaments.** Un moment d'inattention pendant l'utilisation d'un outil électrique peut entraîner des blessures graves.

- **Utiliser l'équipement de sécurité. Toujours porter une protection oculaire.** L'équipement de sécurité, tel qu'un masque filtrant, de chaussures de sécurité, d'un casque ou d'une protection auditive, utilisé dans des conditions appropriées réduira le risque de blessures.
- **Éviter les démarrages accidentels. S'assurer que le commutateur est en position d'arrêt avant de brancher l'outil.** Porter un outil avec le doigt sur son commutateur ou brancher un outil dont le commutateur est en position de marche peut causer un accident.
- **Retirer les clés de réglage avant de mettre l'outil en marche.** Une clé laissée sur une pièce rotative de l'outil peut causer des blessures.
- **Ne pas travailler hors de portée. Toujours se tenir bien campé et en équilibre.** Ceci permettra de mieux contrôler l'outil en cas de situation imprévue.
- **Porter une tenue appropriée. Ne porter ni vêtements amples, ni bijoux. Garder les cheveux, les vêtements et les gants à l'écart des pièces en mouvement.** Les vêtements amples, bijoux et cheveux longs peuvent se prendre dans les pièces en mouvement.

UTILISATION ET ENTRETIEN DES OUTILS ÉLECTRIQUES

- **Ne pas forcer l'outil. Utiliser l'outil approprié pour l'application.** Un outil approprié exécutera le travail mieux et de façon moins dangereuse s'il est utilisé dans les limites prévues.
- **Ne pas utiliser l'outil si le commutateur ne permet pas de le mettre en marche ou de l'arrêter.** Tout outil qui ne peut pas être contrôlé par son commutateur est dangereux et doit être réparé.
- **Débrancher l'outil et/ou retirer le bloc-piles avant d'effectuer des réglages, de changer d'accessoire ou de remiser l'outil.** Ces mesures de sécurité préventives réduisent les risques de démarrage accidentel de l'outil.
- **Ranger les outils motorisés hors de la portée des enfants et ne laisser personne n'étant pas familiarisé avec l'outil ou ces instructions utiliser l'outil.** Dans les mains de personnes n'ayant pas reçu des instructions adéquates, les outils sont dangereux.
- **Entretien des outils électriques et les accessoires.** Vérifier qu'aucune pièce mobile n'est mal alignée ou bloquée, qu'aucune pièce n'est brisée et s'assurer qu'aucun autre problème ne risque d'affecter le bon fonctionnement de l'outil. En cas de dommages faire réparer l'outil avant de l'utiliser de nouveau. Beaucoup d'accidents sont causés par des outils mal entretenus.
- **Garder les outils bien affûtés et propres.** Des outils correctement entretenus et dont les tranchants sont bien affûtés risquent moins de se bloquer et sont plus faciles à contrôler.
- **Utiliser l'outil, les accessoires et embouts, etc. conformément à ces instructions pour les applications pour lesquelles ils sont conçus, en tenant compte des conditions et du type de travail à exécuter.** L'usage d'un outil motorisé pour des applications pour lesquelles il n'est pas conçu peut être dangereux.
- **Gardez les poignées et les surfaces de prise sèches, propres et exemptes d'huile et de graisse.** Des poignées et des surfaces de prise glissantes empêchent la manipulation et le contrôle sécuritaires de l'outil dans des circonstances imprévues.

INSTRUCTIONS IMPORTANTES CONCERNANT LA SECURITE

UTILISATION ET ENTRETIEN DE LA PILE

- **Ne recharger qu'avec l'appareil spécifié par le fabricant.** Un chargeur approprié pour un type de pile peut créer un risque d'incendie s'il est utilisé avec un autre type de pile.
- **Utiliser exclusivement le bloc-pile spécifiquement indiqué pour l'outil.** L'usage de tout autre bloc peut créer un risque de blessures et d'incendie.
- **Lorsque le bloc-piles n'est pas en usage, le garder à l'écart d'articles tels qu'attaches trombones, pièces de monnaie, clous, vis ou autres petits objets métalliques risquant d'établir le contact entre les deux bornes.** La mise en court-circuit des bornes de piles peut causer des étincelles, des brûlures ou un incendie.
- **En cas d'usage abusif, du liquide peut s'échapper des piles. Éviter tout contact avec ce liquide. En cas de contact accidentel, rincer immédiatement les parties atteintes avec de l'eau. En cas d'éclaboussure dans les yeux consulter un médecin.** Le liquide s'échappant des piles peut causer des irritations ou des brûlures.
- **Ne pas utiliser un bloc-piles ou un outil endommagé ou modifié.** Le bris ou la modification du bloc-piles peut causer un comportement imprévisible et causer un incendie, une explosion ou des blessures.
- **Ne pas exposer le bloc-piles ou l'outil au feu ou à des températures excessives.** Une exposition au feu ou à une température supérieure à 130 °C (265 °F) peut provoquer une explosion.
- **Suivre toutes les instructions afférentes à la recharge et ne pas recharger le bloc-piles ou l'appareil hors des**

températures spécifiées dans les instructions. Une recharge incorrecte ou hors des températures spécifiées peut endommager la pile et augmenter les risques de feu.

- Utiliser ce produit seulement avec la piles et le chargeur indiqués dans le supplément de raccordement pour chargeur/ outils/piles/appareil n° 988000-842. Consulter le(s) manuel(s) de chaque accessoire pour connaître toute limitation.

DÉPANNAGE

- **Les réparations doivent être confiées à un technicien qualifié, utilisant exclusivement des pièces identiques à celles d'origine.** Ceci assurera le maintien de la sécurité de l'outil.
- **Ne jamais réparer les blocs-PILES endommagés.** L'entretien des blocs-PILES ne doit être effectué que par le fabricant ou des prestataires de services agréés.
- **Utiliser exclusivement des pièces identiques à celles d'origine pour les réparations. Se conformer aux instructions de la section Entretien de ce manuel.** L'usage de pièces non autorisées ou le non-respect des instructions peut présenter des risques de choc électrique ou de blessures.




UTILISATION D'UN ACCESSOIRE DE DÉBROUSSAILLEUSE

- Lors de l'utilisation d'un accessoire de débroussailleuse, suivre les instructions du fabricant pour l'installation de la poignée et du harnais de sécurité.
- Ne pas utiliser cette tête électrique avec les piles de 40 V RYOBI indiquées dans le manuel d'utilisation de la débroussailleuse RYOBI RYBRC.

CONSERVER CES INSTRUCTIONS AVEC LES INSTRUCTIONS POUR TOUT ACCESSOIRE – bien lire et comprendre ces instructions et celles des accessoires avant d'utiliser cette tête électrique et tout accessoire.









SYMBOLES

Les termes de mise en garde suivants et leur signification ont pour but d'expliquer le degré de risques associé à l'utilisation de ce produit.

SYMBOLE	SIGNAL	SIGNIFICATION
	DANGER :	Indique une situation dangereuse qui, si elle n'est pas évitée, aura pour conséquences des blessures graves ou mortelles.
	AVERTISSEMENT :	Indique une situation dangereuse qui, si elle n'est pas évitée, pourrait entraîner des blessures graves ou mortelles.
	ATTENTION :	Indique une situation dangereuse qui, si elle n'est pas évitée, pourrait entraîner des blessures légères ou de gravité modérée.
	AVIS :	(Sans symbole d'alerte de sécurité) Indique une information importante ne concernant pas un risque de blessure comme une situation pouvant occasionner des dommages matériels.

SYMBOLES

Certains des symboles ci-dessous peuvent être utilisés sur produit. Veiller à les étudier et à apprendre leur signification. Une interprétation correcte de ces symboles permettra d'utiliser produit plus efficacement et de réduire les risques.

SYMBOLE	NOM	DÉSIGNATION / EXPLICATION
	Symbole d'alerte de sécurité	Indique un risque de blessure potentiel.
	Lire manuel d'utilisation	Pour réduire les risques de blessures, l'utilisateur doit lire et veiller à bien comprendre le manuel d'utilisation avant d'utiliser ce produit.
	Protection oculaire et auditive	Toujours porter une protection oculaire avec écrans latéraux certifiée conforme à la norme ANSI Z87.1 ainsi qu'une protection auditive.
	Avertissement concernant l'humidité	Risque d'incendie et de brûlures. Ne pas exposer à la pluie. Ne pas exposer la pile, le compartiment de la pile, ou les composants électroniques à la pluie, l'eau ou d'autres liquides. Ne pas opérer sur un sol humide.
	Ne laisser personne s'approcher	Garder les badauds à une distance de 15 m (50 pi) minimum.
	Danger de ricochet	Ne pas utiliser le coupe-bordures sans le protecteur. Rester éloigné de la tête de coupe rotative.
	Débrancher la pile avant l'entretien	Pour réduire les risques de blessures, l'utilisateur doit enlever la pile avant d'effectuer une réparation ou un entretien du produit.
	Symbole de recyclage	Ce produit utilise les piles de lithium-ion (Li-ion). Les réglementations locales ou gouvernementales peuvent interdire de jeter les piles dans les ordures ménagères. Consulter les autorités locales compétentes pour les options de recyclage et/ou l'élimination.
==	Courant continu	Type ou caractéristique du courant
n_0	Vitesse à vide	Vitesse de rotation à vide
.../min	Par minute	Tours, coups, vitesse périphérique, orbites, etc., par minute
V	Volts	Tension
Hz	Hertz	Fréquence (cycles par seconde)
min	Minutes	Temps

CARACTÉRISTIQUES

VEILLER À BIEN CONNAÎTRE LA BLOC MOTEUR

Voir la figure 1.

L'utilisation sûre de ce produit exige une compréhension des renseignements figurant sur l'produit et contenus dans le manuel d'utilisation, ainsi qu'une bonne connaissance du projet entrepris. Avant d'utiliser ce produit, se familiariser avec toutes ses caractéristiques et règles de sécurité.

SURMOULAGE POIGNÉE

Le surmoulage poignée procure un confort d'utilisation plus grand.

INTERRUPTEUR DE VITESSE

Cet outil est équipé d'un sélecteur de vitesse permettant à l'opérateur de choisir entre une vitesse élevée ou basse. Une vitesse basse lors de l'opération peut aider à prolonger la durée de vie de la pile alors que la vitesse élevée améliorera la puissance et la performance.

GÂCHETTE AVEC VERROU

Le gâchette avec verrou prévient les démarrages accidentels.

GÂCHETTE DE COMMANDE DE VITESSE VARIABLE

Cet outil est doté d'une gâchette de commande de vitesse sensible à la pression. La vitesse est contrôlée par la pression exercée sur la gâchette.

ASSEMBLAGE

DÉBALLAGE

Ce produit nécessite un assemblage.

- Avec précaution, sortir l'produit et les accessoires de la boîte. S'assurer que toutes les pièces figurant sur la **Liste de contrôle d'expédition** sont incluses.

AVERTISSEMENT :

Ne pas utiliser le produit si, en le déballant, vous constatez que des éléments figurant dans la **Liste de contrôle d'expédition** sont déjà assemblés. Certaines pièces figurant sur cette liste n'ont pas été assemblées par le fabricant et exigent une installation. Le fait d'utiliser un produit qui a été assemblé de façon inadéquate peut entraîner des blessures.

- Examiner soigneusement l'produit pour s'assurer que rien n'a été brisé ou endommagé en cours de transport.
- Ne pas jeter les matériaux d'emballage avant d'avoir soigneusement examiné l'produit et avoir vérifié qu'il fonctionne correctement.
- Si des pièces manquent ou sont endommagées, appeler le 1-800-525-2579.

LISTE DE CONTRÔLE D'EXPÉDITION

Bloc moteur

Assemblage de poignée avant

Manuel d'utilisation

AVERTISSEMENT :

Si des pièces manquent ou sont endommagées, ne pas utiliser cet produit avant qu'elles aient été remplacées. Le non-respect de cet avertissement pourrait entraîner des blessures graves.

AVERTISSEMENT :

Ne pas essayer de modifier cet produit ou de créer des accessoires non recommandés pour l'produit. De telles altérations ou modifications sont considérées comme un usage abusif et peuvent créer des conditions dangereuses, risquant d'entraîner des blessures graves.

AVERTISSEMENT :

Toujours retirer le bloc-piles du produit lors de l'assemblage des pièces pour prévenir le démarrage accidentel pouvant causer des blessures graves.

INSTALLATION DE L'ACCESSOIRE DU BLOC MOTEUR

Voir la figure 2.

AVERTISSEMENT :

Lire et veiller à bien comprendre tout le manuel d'utilisation de chaque accessoire facultatif employé avec l'ensemble moteur et respecter tous les avertissements et toutes les instructions. Le non-respect de l'ensemble des instructions peut entraîner une décharge électrique, un incendie et des blessures graves.

AVERTISSEMENT :

Cet ensemble moteur de 40V est conçu pour être utilisé uniquement avec des modèles d'accessoires qui sont mentionnés dans le présent manuel d'utilisation. Le fait d'utiliser d'autres accessoires peut entraîner des blessures graves ou des dommages matériels.

ASSEMBLAGE

AVERTISSEMENT :

Ne jamais installer, retrait ou ajuster un accessoire lorsque le moteur tourne. Le fait de ne pas arrêter le moteur peut causer des blessures corporelles graves. Ne jamais faire fonctionner le bloc moteur si aucun accessoire n'y est fixé.

Cet ensemble moteur de 40V ne peut être utilisé qu'avec les accessoires EXPAND-IT RYOBI suivants :

- Débroussailleur – RYBRC
- Taille-haie – RYHDG
- Souffleuse à gouttière – RYGUT
- Coupe-bordures – RY15518, RYEDG11, RYEDG12 et RYEDG
- Soufflantes – RYAXA22
- Taille-bordures à arbre droit – RY15523, RY15523A, RY15526, RY15527 et RYSST44
- Cultivateurs – RY15550, RYTIL66 et RYTIL
- Élagueuse – RY15520, RYPRN33 et RYPRN
- Souffleuse à neige – RYSNW00
- Balai – RYSWP25, RYSWP et RYSWPRUB

L'accessoire se raccorde au bloc-moteur à l'aide d'un dispositif de couplage.

- Arrêter le moteur et retirer le bloc-piles.
- Desserrer le bouton du coupleur et retirer le capuchon d'extrémité de l'accessoire.
- Appuyer sur le bouton se trouvant sur l'arbre de l'accessoire. Aligner le bouton sur la rainure guide du bloc moteur et emboîter les deux arbres. Tourner l'arbre de l'accessoire jusqu'à ce que le bouton s'enclenche dans le trou de positionnement.

NOTE : Si le bouton ne s'engage pas complètement dans le trou de positionnement, les tubes ne sont pas solidement maintenus l'un dans l'autre. Tourner légèrement les tubes dans les deux sens jusqu'à ce que le bouton s'engage complètement.

- Serrer le bouton fermement.

AVERTISSEMENT :

S'assurer que le bouton est bien serré avant d'utiliser l'outil et le vérifier de temps à autre pour éviter le risque de blessures graves.

RETRAIT DE L'ACCESSOIRE DU BLOC MOTEUR

- Arrêter le moteur et débrancher le fil de la bougie.
- Desserrer le bouton.
- Enfoncer le bouton et tourner les tubes pour les séparer.

INSTALLATION DE LA POIGNÉE AVANT

Voir la figure 3.

- Retirer les écrou à oreilles, le support, et le boulon de la poignée avant.
- Installez le support de la poignée avant à l'endroit indiqué par la flèche sur l'étiquette de l'arbre supérieur.
- Insérer le boulon dans les trous de la poignée avant et support.
NOTE : La tête du boulon s'adapte dans le logement moulé d'un côté de la poignée.
- Réinstaller l'écrou à oreilles.
- Serrer fermement l'écrou papillon.

UTILISATION

AVERTISSEMENT :

Lire et veiller à bien comprendre tout le manuel d'utilisation de chaque accessoire facultatif employé avec l'ensemble moteur et respecter tous les avertissements et toutes les instructions. Le non-respect de l'ensemble des instructions peut entraîner une décharge électrique, un incendie et des blessures graves.

AVERTISSEMENT :

Ne pas laisser la familiarité avec l'produit faire oublier la prudence. Ne pas oublier qu'une fraction de seconde d'inattention peut entraîner des blessures graves.

AVERTISSEMENT :

Toujours porter une protection oculaire avec écrans latéraux certifiée conforme à la norme ANSI Z87.1 protection auditive. Selon le type d'accessoire utilisé et comme il est indiqué dans le manuel d'utilisation de l'accessoire en question, un casque de protection et un protection auditive peut être nécessaire. Si cette précaution n'est pas prise, des objets peuvent être projetés dans les yeux et d'autres lésions graves.

AVERTISSEMENT :

Ne pas utiliser d'outils ou accessoires non recommandés pour cet outil. L'utilisation de pièces et accessoires non recommandés peut entraîner des blessures graves.

UTILISATION

AVERTISSEMENT :

Ne jamais utiliser de dispositifs coudés, un fil ou une corde avec ce produit. Ne pas utiliser de fixations ou d'accessoires qui ne sont pas recommandés par le fabricant de ce produit. L'utilisation de fixations ou d'accessoires n'est pas recommandée et peut causer des blessures corporelles graves.

AVIS :

Avant chaque utilisation, inspecter au complet le produit afin de s'assurer qu'aucune pièce (vis, écrous, boulons, chapeaux, etc.) n'est endommagée, manquante ou desserrée. Serrer solidement toutes les pièces de fixation et les chapeaux et ne pas utiliser le produit tant que toutes les pièces manquantes ou endommagées n'ont pas été remplacées. Pour obtenir de l'aide, communiquer avec le service à la clientèle ou un centre de réparations autorisé.

INSTALLATION/RETRAIT DU BLOC-PILES

Voir la figure 4.

AVERTISSEMENT :

Toujours retirer la pile de l'outil au moment d'assembler des pièces, d'effectuer des réglages et de procéder au nettoyage, ou lorsque l'outil n'est pas utilisé. Le fait de retirer la pile permet d'empêcher un démarrage accidentel pouvant entraîner des blessures graves.

Installer le bloc-piles :

- Alignez les nervures surélevées du bloc-pile avec les rainures du port de la pile et placez le bloc-pile dans le produit.

AVERTISSEMENT :

S'assurer que le loquet au bas du bloc-piles s'enclenche et que le bloc-piles est installé et fixé correctement au avant de commencer le travail. Ne pas installer et fixer correctement le bloc-piles peut provoquer la chute de ce dernier et occasionner des blessures graves.

Retirer le bloc-piles :

- Appuyer et maintenir enfoncé le bouton du loquet du bloc-piles situé au bas du bloc-piles.
- Retirez le bloc-piles du produit.

Pour prendre connaissance de l'ensemble des instructions relatives à la charge, consulter les manuels d'utilisation des batteries de RYOBI et des modèles de chargeur connexes.

AVERTISSEMENT :

Pour éviter des blessures graves, toujours retirer le bloc-piles et tenir à distance de mains le gâchette avec verrou en portant l'outil.

MISE EN MARCHÉ ET ARRÊT DU BLOC MOTEUR

Voir la figure 5.

Pour démarrer :

- Choisir la vitesse de fonctionnement désirée (ÉLEVÉE ou BASSE [HI ou LOW]).
- Maintenir le gâchette avec verrou enfoncé.
- Appuyer sur la gâchette.

Pour arrêter :

- Pour arrêter le bloc moteur, relâcher la gâchette.
- Lorsque la gâchette est relâchée, le gâchette avec verrou se remet automatiquement en position verrouillée.

UTILISATION DU BLOC MOTEUR

Voir les figures 6 et 7.

Tenir le bloc moteur avec la main droite sur la poignée arrière et la main gauche sur la poignée avant. Garder une prise ferme sur les deux poignées pendant le fonctionnement. Le bloc-moteur doit être tenu dans une position confortable, la poignée arrière se trouvant à peu près à hauteur de la taille.

NOTE : Les positions de fonctionnement les plus courantes sont indiquées dans les figures. Pour connaître la position de fonctionnement pour votre accessoire spécifique, toujours se référer au manuel d'utilisation inclus avec votre accessoire.

Toujours faire fonctionner le bloc moteur à pleine puissance. Si des débris s'enroulent autour de l'accessoire, ARRÊTER LE MOTEUR, retirer le bloc-piles et retirer les débris.

AVERTISSEMENT :

Toujours tenir bloc moteur à l'écart de soi en maintenant une distance de sécurité entre le corps et l'équipement. Tout contact avec la tête de coupe de l'accessoire peut causer des brûlures et / ou d'autres blessures graves.

AVERTISSEMENT :

Lire les informations relatives à la sécurité lors de l'utilisation d'un accessoire et consulter les règles et instructions de sécurité figurant dans le manuel de l'accessoire. L'utilisation incorrecte d'une lame ou d'un accessoire peut entraîner des blessures graves.

ENTRETIEN

AVERTISSEMENT :

Pour empêcher un démarrage accidentel pouvant entraîner des blessures graves, toujours retirer le bloc de batterie de l'outil avant tout nettoyage ou entretien.

AVERTISSEMENT :

Toujours porter une protection oculaire avec écrans latéraux certifiée conforme à la norme ANSI Z87.1 protection auditive. Selon le type d'accessoire utilisé et comme il est indiqué dans le manuel d'utilisation de l'accessoire en question, un casque de protection et un protection auditive peut être nécessaire. Si cette précaution n'est pas prise, des objets peuvent être projetés dans les yeux et d'autres lésions graves.

AVERTISSEMENT :

Utiliser exclusivement des pièces d'origine pour les réparations. L'usage de toute autre pièce pourrait créer une situation dangereuse ou endommager l'produit.

AVIS :

Inspecter périodiquement au complet le produit afin de s'assurer qu'aucune pièce (vis, écrous, boulons, chapeaux, etc.) n'est endommagée, manquante ou desserrée. Serrer solidement toutes les pièces de fixation et les chapeaux et ne pas utiliser le produit tant que toutes les pièces manquantes ou endommagées n'ont pas été remplacées. Pour obtenir de l'aide, communiquer avec le service à la clientèle ou un centre de réparations autorisé.

AVERTISSEMENT :

Ne jamais laisser de liquides tels que le fluide de freins, l'essence, les produits à base de pétrole, les huiles pénétrantes, etc., entrer en contact avec les pièces en plastique. Les produits chimiques peuvent endommager, affaiblir ou détruire le plastique, ce qui peut entraîner des blessures graves.

NETTOYAGE DU BLOC MOTEUR

- Arrêtez le moteur et retirer le bloc-piles.
- Nettoyer la saleté et les débris de l'ensemble moteur à l'aide d'un chiffon humide et d'un détergent doux.

AVIS :

Ne pas utiliser de détergents puissants sur le boîtier en plastique ou la poignée. Ces pièces peuvent être endommagées par certaines huiles aromatiques telles que les huiles de pin et de citron et les solvants tels que le kérosène.

REMISAGE DU BLOC MOTEUR

- Retirer la pile du bloc moteur avant de le ranger.
- Nettoyer soigneusement le bloc moteur.
- La remiser dans un endroit inaccessible aux enfants.
- Le tenir à l'écart de produits corrosifs, tels que les produits chimiques de jardinage et le sel de dégivrage.
- Le crochet à trou de serrure et le système RYOBI LINK sont situés sur la partie inférieure de l'appareil et peuvent être utilisés pour la suspension.

À utiliser avec le système de stockage modulaire LINK :

- L'unité est compatible avec le système RYOBI LINK. Utiliser uniquement sur le rail mural LINK.

ENTRETIEN GÉNÉRAL

Éviter d'utiliser des solvants pour le nettoyage des pièces en plastique. La plupart des matières plastiques peuvent être endommagées par divers types de solvants du commerce. Utiliser un chiffon propre pour éliminer la saleté, la poussière, l'huile, la graisse, etc.

DÉPANNAGE

PROBLÈME	CAUSE POSSIBLE	SOLUTION
Le moteur ne démarre pas quand change la gâchette.	Le bloc-piles n'est pas fixée. Le bloc-piles n'est pas chargée.	Pour la fixer, s'assurer que le loquet au bas du bloc-piles est enclenché correctement. Charger la pile conformément aux instructions fournis avec ce modèle.

Ce produit est accompagné d'une garantie limitée de cinq (5) ans pour utilisation personnel, familiales ou domestiques (90 jours pour utilisation affaires ou commerciaux). Pour obtenir les détails de la garantie, visiter le site www.ryobitools.com ou appeler (sans frais) au 1-800-525-2579.

INSTRUCCIONES DE SEGURIDAD IMPORTANTES

¡ADVERTENCIA!

Lea todas las advertencias de seguridad, instrucciones, ilustraciones y especificaciones proporcionadas con esta herramienta eléctrica. No seguir las instrucciones indicadas a continuación puede provocar descargas eléctricas, incendios o lesiones graves.

Guarde todas las advertencias e instrucciones para futuras consultas. El término “herramienta eléctrica” empleado en todos los avisos de advertencia enumerados abajo se refiere a las herramientas eléctricas de cordón (alámbricas) y de baterías (inalámbricas).

SEGURIDAD EN EL ÁREA DE TRABAJO

- **Mantenga limpia y bien iluminada el área de trabajo.** Un área de trabajo mal despejada o mal iluminada propicia accidentes.
- **No utilice herramientas motorizadas en atmósferas explosivas, como las existentes alrededor de líquidos, gases y polvos inflamables.** Las herramientas eléctricas generan chispas que pueden encender el polvo y los vapores inflamables.
- **Mantenga alejados a los niños y circunstantes al maniobrar una herramienta eléctrica.** Toda distracción puede causar pérdida del control de la herramienta.

SEGURIDAD ELÉCTRICA

- **Las clavijas de las herramientas eléctricas deben corresponder a las tomas de corriente donde se conectan. Nunca modifique la clavija de ninguna forma. No utilice ninguna clavija adaptadora con herramientas eléctricas dotadas de contacto a tierra.** Conectando las clavijas originales en las tomas de corriente donde corresponden se disminuye el riesgo de una descarga eléctrica.
- **Evite el contacto del cuerpo con las superficies de objetos que estén haciendo tierra o estén conectados a ésta, como tuberías, radiadores, estufas y refrigeradores.** Existe un mayor riesgo de descargas eléctricas si el cuerpo está haciendo tierra.
- **No exponga las herramientas eléctricas a la lluvia ni a condiciones de humedad.** La introducción de agua en una herramienta eléctrica aumenta el riesgo de descargas eléctricas.
- **No maltrate el cordón eléctrico. Nunca utilice el cordón para trasladar, desconectar o tirar de la herramienta eléctrica. Mantenga el cordón alejado del calor, del aceite, de bordes afilados y de piezas móviles.** Los cordones eléctricos dañados o enredados aumentan el riesgo de descargas eléctricas.
- **Al utilizar una herramienta eléctrica a la intemperie, use un cordón de extensión apropiado para el exterior.** Usando un cordón adecuado para el exterior se disminuye el riesgo de descargas eléctricas.
- **Si debe operar una herramienta en lugares húmedos, use un suministro protegido por un interruptor de circuito con pérdida a tierra (GFCI).** El uso de un GFCI reduce el riesgo de descargas eléctricas.

SEGURIDAD PERSONAL

- **Permanezca alerta, preste atención a lo que esté haciendo y aplique el sentido común al utilizar herramientas eléctricas. No utilice la herramienta eléctrica si está cansado o se encuentra bajo los efectos de alguna droga, alcohol o medicamento.** Un momento de inatención al utilizar una herramienta eléctrica puede causar lesiones corporales serias.
- **Use equipo de seguridad. Siempre póngase protección ocular.** El uso de equipo de seguridad como mascarilla para el polvo, calzado de seguridad, casco y protección para los oídos en las circunstancias donde corresponda disminuye el riesgo de lesiones.
- **Evite un arranque accidental de la unidad. Asegúrese de que el interruptor esté en la posición de apagado antes de conectar la herramienta.** Portar las herramientas eléctricas con el dedo en el interruptor, o conectarlas con el interruptor puesto, propicia accidentes.
- **Retire toda llave o herramienta de ajuste antes de encender la herramienta eléctrica.** Toda llave o herramienta de ajuste dejada en una pieza giratoria de la herramienta eléctrica puede causar lesiones.
- **No estire el cuerpo para alcanzar mayor distancia. Mantenga una postura firme y buen equilibrio en todo momento.** De esta manera se logra un mejor control de la herramienta eléctrica en situaciones inesperadas.
- **Vístase adecuadamente. No vista ropas holgadas ni joyas. Mantenga el cabello, la ropa y los guantes alejados de las piezas móviles.** Las ropas holgadas, las joyas y el cabello largo pueden engancharse en las piezas móviles.

EMPLEO Y CUIDADO DE LA HERRAMIENTA ELÉCTRICA

- **No fuerce la herramienta eléctrica. Utilice la herramienta eléctrica adecuada para cada trabajo.** La herramienta eléctrica adecuada efectúa mejor y de manera más segura el trabajo, si además se maneja a la velocidad para la que está diseñada.
- **No utilice la herramienta si el interruptor no enciende o no apaga.** Cualquier herramienta eléctrica que no pueda controlarse con el interruptor es peligrosa y debe repararse.
- **Desconecte la clavija del suministro de corriente o retire el paquete de baterías de la herramienta eléctrica, según sea el caso, antes de efectuarle cualquier ajuste, cambiarle accesorios o guardarla.** Tales medidas preventivas de seguridad reducen el riesgo de poner en marcha accidentalmente la herramienta.
- **Guarde las herramientas eléctricas desocupadas fuera del alcance de los niños y no permita que las utilicen personas no familiarizadas con las mismas o con estas instrucciones.** Las herramientas eléctricas son peligrosas en manos de personas no capacitadas en el uso de las mismas.

INSTRUCCIONES DE SEGURIDAD IMPORTANTES

- **Mantenga las herramientas y accesorios eléctricos.** Revise para ver si hay desalineación o atoramiento de piezas móviles, ruptura de piezas o cualquier otra condición que pueda afectar el funcionamiento de la herramienta. Si está dañada la herramienta eléctrica, permita que la reparen antes de usarla. Numerosos accidentes son causados por herramientas eléctricas mal cuidadas.
- **Mantenga las herramientas de corte afiladas y limpias.** Las herramientas de corte bien cuidadas y con bordes bien afilados, tienen menos probabilidad de atascarse en la pieza de trabajo y son más fáciles de controlar.
- **Utilice la herramienta eléctrica, los accesorios y brocas, hojas y cuchillas de corte, ruedas de esmeril, etc. de conformidad con estas instrucciones, tomando en cuenta las condiciones de trabajo y la tarea por realizar.** Si se utiliza la herramienta eléctrica para operaciones diferentes de las indicadas podría originar una situación peligrosa.
- **Mantenga los mangos y superficies de agarre limpias y libres de aceite y grasa.** Los mangos y superficies de agarre resbalosos no permiten una manipulación y control seguros de la herramienta en situaciones inesperadas.

EMPLEO Y CUIDADO DE LA HERRAMIENTA DE BATERÍAS

- **Sólo cargue el paquete de baterías con el cargador especificado por el fabricante.** Un cargador adecuado para un tipo paquete de baterías puede significar un riesgo de incendio si se emplea con un paquete de baterías diferente.
- **Utilice las herramientas eléctricas sólo con los paquetes de baterías específicamente indicados.** El empleo de paquetes de baterías diferentes puede presentar un riesgo de incendio.
- **Cuando no esté utilizándose el paquete de baterías, manténgalo lejos de otros objetos metálicos, como clips, monedas, llaves, clavos, tornillos o otros objetos metálicos, pequeños que puedan establecer conexión entre ambas terminales.** Establecer una conexión directa entre las dos terminales de las baterías puede causar quemaduras o incendios.
- **Si se maltratan las baterías, puede derramarse líquido de las mismas; evite todo contacto con éste. En caso de contacto, lávese con agua. Si el líquido llega a tocar los ojos, además busque atención médica.** El líquido de las baterías puede causar irritación y quemaduras.

- **No utilice una batería o herramienta dañada o modificada.** Las baterías dañadas o modificadas pueden tener un funcionamiento impredecible que provoque incendios, explosiones o riesgo de lesiones.
- **No exponga la batería o herramienta al fuego o a temperaturas excesivas.** La exposición al fuego o a una temperatura superior a los 130 °C (265 °F) puede provocar explosiones.
- **Siga todas las instrucciones de carga y no cargue el paquete de baterías ni el aparato fuera del rango de temperaturas especificado en las instrucciones.** Si realiza la carga en forma incorrecta o fuera de la temperatura del rango especificado, puede dañar la batería y aumentar el riesgo de incendios.
- Usar este producto únicamente con las baterías y el cargador indicados en el folleto de la herramienta/aparato/paquete de baterías/cargador complementario 988000-842. Consulte los manuales de cada accesorio para conocer las limitaciones.

SERVICIO

- **Permita que un técnico de reparación calificado preste servicio a la herramienta eléctrica, y sólo con piezas de repuesto idénticas.** De esta manera se mantiene la seguridad de la herramienta eléctrica.
- **Nunca intente reparar BATERÍA dañadas.** Las tareas de servicio de las BATERÍAS solo deben ser realizadas por el fabricante o proveedores de servicio autorizados.
- **Al dar servicio a una herramienta eléctrica, sólo utilice piezas de repuesto idénticas. Siga las instrucciones señaladas en la sección Mantenimiento de este manual.** El empleo de piezas no autorizadas o el incumplimiento de las instrucciones de mantenimiento puede significar un riesgo de descarga eléctrica o de lesiones.




USO DE UN ACCESORIO DE DESBROZADORA

- Cuando utilice un accesorio de desbrozadora, siga las instrucciones del fabricante para instalar el mango y el arnés de seguridad.
- Utilice este cabezal motorizado únicamente con las baterías RYOBI de 40 V que se mencionan en el Manual del operador de la desbrozadora RYOBI RYBRC.





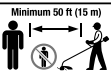




GUARDE ESTAS INSTRUCCIONES JUNTO CON LAS INSTRUCCIONES PARA CUALQUIER ACCESORIO: Lea y comprenda detenidamente estas instrucciones y las instrucciones de los accesorios en cuestión antes de usar este cabezal motorizado y cualquier accesorio.

SÍMBOLOS

Las siguientes palabras de señalización y sus significados tienen el objeto de explicar los niveles de riesgo relacionados con este producto.

SÍMBOLO	SEÑAL	SIGNIFICADO
	PELIGRO:	Indica una situación peligrosa, la cual, si no se evita, causará la muerte o lesiones serias.
	ADVERTENCIA:	Indica una situación peligrosa, la cual, si no se evita, podría causar la muerte o lesiones serias.
	PRECAUCIÓN:	Indica una situación peligrosa, la cual, si no se evita, podría causar lesiones menores o leves.
	AVISO:	(Sin el símbolo de alerta de seguridad) Indica la información que se considera importante, pero no relacionada con lesiones potenciales (por ej. en relación a daños a la propiedad).

Es posible que se empleen en este producto algunos de los siguientes símbolos. Le suplicamos estudiarlos y aprender su significado. Una correcta interpretación de estos símbolos le permitirá utilizar mejor y de manera más segura el producto.

SÍMBOLO	NOMBRE	DENOMINACIÓN/EXPLICACIÓN
	Alerta de seguridad	Indica un peligro posible de lesiones personales.
	Lea manual del operador	Para reducir el riesgo de lesiones, el usuario debe leer y comprender el manual del operador antes de usar este producto.
	Protección para los ojos y oídos	Siempre póngase protección ocular con la marca de cumplimiento de la norma ANSI Z87.1 junto con protección auditiva.
	Alerta de condiciones húmedas	Riesgo de incendio y quemaduras. No exponga la unidad a la lluvia. No exponga la batería, el compartimento de la batería o componentes electrónicos a la lluvia, el agua o líquidos. No use la herramienta en pisos húmedos.
	Mantenga alejadas a las personas presentes	Mantenga a los circunstantes a una distancia mínima de 15 m (50 pies).
	Rebote	Cualquier objeto lanzado puede rebotar y producir lesiones personales o daños físicos.
	Desconecte la batería antes de realizar tareas de mantenimiento	Para reducir el riesgo de lesiones, el usuario debe quitar la batería antes de realizar tareas de servicio o mantenimiento del producto.
	Símbolo de reciclado	Este producto contiene baterías de iones de litio (Li-ion). Es posible que algunas leyes municipales, estatales o federales prohíban desechar las baterías en la basura normal. Consulte a las autoridades reguladoras de desechos para obtener información en relación con las alternativas de reciclado y desecho disponibles.
	Corriente continua	Tipo o característica de corriente
n_0	Velocidad en vacío	Velocidad de rotación, en vacío
.../min	Por minuto	Revoluciones, carreras, velocidad superficial, órbitas, etc., por minuto
V	Volts	Voltaje
Hz	Hertz	Frecuencia (ciclos por segundo)
min	Minutos	Tiempo

CARACTERÍSTICAS

FAMILIARÍCESE CON SU CABEZAL MOTOR

Vea la figura 1.

El uso seguro que este producto requiere la comprensión de la información impresa en la producto y en el manual del operador así como ciertos conocimientos sobre el proyecto a realizar. Antes de usar este producto, familiarícese con todas las características de funcionamiento y normas de seguridad.

SOBREMOLDEADO MANGO

El sobremoldeado mango proporciona mayor comodidad para el operador.

INTERRUPTOR DE VELOCIDAD

Esta herramienta tiene un selector de velocidad que le permite al operador elegir entre la velocidad ALTA o BAJA. Usar la velocidad baja durante su operación ayuda a prologar el tiempo de funcionamiento de la batería, mientras que usar la velocidad alta mejora la potencia y el desempeño.

GATILLO CON SEGURO

El gatillo con seguro evita los arranques accidentales.

INTERRUPTOR DE GATILLO DE VELOCIDAD VARIABLE

Esta herramienta dispone de un interruptor de velocidad variable, el cual produce mayor velocidad cuanto mayor presión se aplica en el mismo. La velocidad se controla mediante la presión aplicada en el gatillo del interruptor.

ARMADO

DESEMPAQUETADO

Este producto requiere armarse.

- Extraiga cuidadosamente de la caja la producto y los accesorios. Asegúrese de que estén presentes todos los artículos enumerados en la **Lista de empaquetado**.

ADVERTENCIA:

No utilice este producto si alguna pieza incluida en la **Lista de empaquetado** ya está ensamblada al producto cuando lo desempaqueta. El fabricante no ensambla las piezas de esta lista en el producto. Éstas deben ser instaladas por el usuario. El uso de un producto que puede haber sido ensamblado de forma inadecuada podría causar lesiones personales graves.

- Inspeccione cuidadosamente la producto para asegurarse de que no haya sufrido ninguna rotura o daño durante el transporte.
- No deseche el material de empaquetado hasta que haya inspeccionado cuidadosamente la producto y la haya utilizado satisfactoriamente.
- Si hay piezas dañadas o faltantes, le suplicamos llamar al 1-800-525-2579, donde le brindaremos asistencia.

LISTA DE EMPAQUETADO

Cabezal motor

Conjunto del mango delantero

Manual del operador

ADVERTENCIA:

Si hay piezas dañadas o faltantes, no utilice esta producto sin haber reemplazado las piezas dañadas o faltantes. La inobservancia de esta advertencia puede causar lesiones graves.

ADVERTENCIA:

No intente modificar esta producto ni hacer accesorios no recomendados para la misma. Cualquier alteración o modificación constituye maltrato el cual puede causar una condición peligrosa, y como consecuencia posibles lesiones corporales serias.

ADVERTENCIA:

Para evitar un arranque accidental que podría causar lesiones corporales serias, siempre desmonte de la producto el paquete de baterías al montarle piezas a aquélla.

INSTALACIÓN UN ADITAMENTO DEL CABEZAL MOTOR

Vea la figura 2.

ADVERTENCIA:

Lea y comprenda todo el Manual del operador de cada accesorio opcional que se utilice con este cabezal del motor, y siga todas las advertencias e instrucciones. El incumplimiento de las instrucciones podría ocasionar descargas eléctricas, fuego o lesiones personales graves.

ADVERTENCIA:

Este cabezal del motor de 40V está diseñado para que sólo se utilice con los modelos de accesorios que se especifican en este Manual del operador. El uso de otros accesorios podría provocar lesiones personales graves o daños a la propiedad.

ARMADO

ADVERTENCIA:

Nunca una ni ajuste ningún aditamento, desmontar o mientras esté funcionando el cabezal motor. Si no apaga el motor puede causarse lesiones serias a sí mismo y a otras personas. Nunca opere el cabezal motor sin un accesorio.

Sólo es posible utilizar este cabezal del motor de 40V con los siguientes accesorios EXPAND-IT RYOBI:

- Desbrozadora – RYBRC
- Podadora de setos – RYHDG
- Soplador de canaleta – RYGUT
- Recortadoras de bordes – RY15518, RYEDG11, RYEDG12 y RYEDG
- Sopladora – RYAXA22
- Recortadoras de hilo de eje recto – RY15523, RY15523A, RY15526, RY15527 y RYSST44
- Cultivadores – RY15550, RYTIL66 y RYTIL
- Podadora – RY15520, RYPRN33 y RYPRN
- Equipo quitanieve – RYSNW00
- Accesorio para barredor – RYSWP25, RYSWP y RYSWPRUB

El aditamento se conecta al cabezal motor mediante un dispositivo acoplador.

- Apague el motor y retire el paquete de baterías.
- Afloje la perilla en el acoplador del eje del cabezal de potencia y retire la tapa extrema del accesorio.
- Oprima el botón situado en el eje del aditamento. Alinee el botón con el hueco guía situado en el acoplador del cabezal motor, y con un movimiento de deslizamiento una los dos ejes. Gire el eje del aditamento hasta que el botón quede asegurado en el orificio de posicionamiento.

NOTA: Si el botón no brota completamente en el orificio de posicionamiento, significa que los ejes no están bien asegurados en su lugar. Gire levemente los ejes de un lado a otro hasta que el botón quede asegurado en su lugar.

- Apriete firmemente la perilla.

ADVERTENCIA:

Asegúrese de que esté bien apretada la perilla antes de utilizar el equipo; verifique periódicamente el apriete de la misma durante el uso para evitar lesiones corporales graves.

DESMTAJE DEL ADITAMENTO DEL CABEZAL MOTOR

- Apague el motor y desconecte el cable de la bujía.
- Afloje la perilla.
- Oprima el botón y gire los ejes para separar los extremos de los mismos.

MONTAJE DEL MANGO DELANTERO

Vea la figura 3.

- Retire la tuerca de mariposa, el soporte, y perno del clip de la mango delantero.
- Instale el soporte de la manija delantera en la flecha como lo indica la etiqueta en el eje superior.
- Coloque el perno a través del mango delantero y soporte.
NOTA: El perno de cabeza hexagonal cabe en el hueco de tal forma moldeado en un costado del mango.
- Vuelva tuerca de mariposa.
- Apriete firmemente la tuerca de mariposa.

FUNCIONAMIENTO

ADVERTENCIA:

Lea y comprenda todo el Manual del operador de cada accesorio opcional que se utilice con este cabezal del motor, y siga todas las advertencias e instrucciones. El incumplimiento de las instrucciones podría ocasionar descargas eléctricas, fuego o lesiones personales graves.

ADVERTENCIA:

No permita que su familiarización con las herramientas lo vuelva descuidado. Tenga presente que un descuido de un instante es suficiente para causar una lesión grave.

ADVERTENCIA:

Siempre póngase protección ocular con protección lateral con la marca de cumplimiento de la norma ANSI Z87.1. Es posible que también requiera protección auditiva y/o para la cabeza según el tipo de accesorio utilizado y según se prescriba en otra parte de este Manual del operador. La inobservancia de esta advertencia puede causar el lanzamiento de objetos a los ojos, y por consecuencia posibles lesiones serias.

ADVERTENCIA:

Nunca use hojas, dispositivos móviles, alambre ni cuerdas en este producto. No utilice ningún aditamento o accesorio no recomendado por el fabricante de este producto. El empleo de aditamentos o accesorios no recomendados puede causar lesiones serias.

FUNCIONAMIENTO

ADVERTENCIA:

Nunca use dispositivos movibles, alambre ni cuerdas en este producto. No utilice ningún accesorio no recomendado por el fabricante del producto. El empleo de aditamentos o accesorios no recomendados puede causar lesiones serias.

AVISO:

Antes de cada uso, inspeccione todo el producto para detectar partes dañadas, faltantes o sueltas, como tornillos, tuercas, pernos, tapas, etc. Apriete firmemente todos los sujetadores y las tapas y no accione este producto hasta que todas las partes faltantes o dañadas sean reemplazadas. Póngase en contacto con el servicio al cliente o con un centro de servicio autorizado para obtener ayuda.

INSTALACIÓN/EXTRACCIÓN DE LA BATERÍA

Vea la figura 4.

ADVERTENCIA:

Retire siempre el paquete de baterías de la herramienta antes de instalar las piezas, realizar ajustes, limpiarla o cuando no la utilice. Retirar el paquete de baterías evitará que la unidad se accione accidentalmente y provoque lesiones graves.

Para instalar el paquete de baterías:

- Alinee las nervaduras elevadas del paquete de baterías con las ranuras del puerto de la batería y coloque el paquete de baterías en el producto.

ADVERTENCIA:

Asegúrese de que el pestillo en la parte inferior del paquete de baterías entre adecuadamente en su lugar y que el paquete de baterías esté bien colocado y asegurado en el puerto de batería de antes de que encenderla. No asentar el paquete de baterías correctamente podría provocar que el paquete de baterías se caiga y cause lesiones personales graves.

Para retirar el paquete de baterías:

- Presione y mantenga presionado el botón de la traba de las baterías de la parte inferior del paquete de baterías.
- Retire el paquete de baterías del producto.

Para ver las instrucciones de carga completas, consulte los manuales del operador del paquete de baterías RYOBI y los modelos de cargador.

ADVERTENCIA:

Para evitar lesiones corporales serias, siempre desmonte de la herramienta el paquete de baterías y mantenga manos vacías del gatillo con seguro al llevar herramienta.

ENCENDIDO Y APAGADO DE LA CABEZAL MOTOR

Vea la figura 5.

Para encendido:

- Seleccione la velocidad de funcionamiento deseada (ALTA o BAJA).
- Oprima y no suelte el gatillo con seguro.
- Oprima el gatillo del interruptor.

Para apagado:

- Suelte el gatillo cuando desee apagar la cabezal motor.
- Al soltar el gatillo, el gatillo con seguro regresa automáticamente a la posición de aseguramiento.

MANEJO DE LA CABEZAL MOTOR

Vea las figuras 6 y 7.

Sujete el cabezal motor con la mano derecha en el mango trasero y coloque la mano izquierda en el mango delantero. Sujete firmemente la unidad con ambas manos durante la operación. Se recomienda sujetar el cabezal motor en una posición cómoda, con el mango trasero a la altura de la cadera.

NOTA: Las posiciones operativas más comunes se muestran en las imágenes de referencia. Para la posición operativa de su accesorio específico, consulte el manual del operador que vino con ese accesorio.

Siempre opere el cabezal motor con la máxima aceleración. Si se acumulan residuos en el accesorio, **DETENGA EL MOTOR**, retire el paquete de baterías y quite los residuos.

ADVERTENCIA:

Siempre sujete el cabezal motor de hilo lejos del cuerpo, manteniendo un espacio entre el cuerpo y la herramienta. Cualquier contacto del cuerpo con la armazón o el cabezal de corte de el aditamento puede producir quemaduras y/o otras lesiones serias.

ADVERTENCIA:

Lea la información de seguridad para una operación segura cuando utilice un accesorio y consulte las reglas e instrucciones de seguridad en el manual del accesorio. El funcionamiento inadecuado de una cuchilla o de cualquier accesorio podría provocar lesiones graves.

MANTENIMIENTO

⚠️ ADVERTENCIA:

Para evitar lesiones corporales serias, siempre retire el paquete de pilas de la herramienta al limpiarla o darle mantenimiento.

⚠️ ADVERTENCIA:

Siempre póngase protección ocular con protección lateral con la marca de cumplimiento de la norma ANSI Z87.1. Es posible que también requiera protección auditiva y/o para la cabeza según el tipo de accesorio utilizado y según se prescriba en otra parte de este Manual del operador. La inobservancia de esta advertencia puede causar el lanzamiento de objetos a los ojos, y por consecuencia posibles lesiones serias.

⚠️ ADVERTENCIA:

Al dar servicio a la unidad, sólo utilice piezas de repuesto idénticas. El empleo de piezas diferentes podría causar un peligro o dañar el producto.

AVISO:

inspeccione periódicamente todo el producto para detectar partes dañadas, faltantes o sueltas, como tornillos, tuercas, pernos, tapas, etc. Apriete firmemente todos los sujetadores y las tapas y no accione este producto hasta que todas las partes faltantes o dañadas sean reemplazadas. Póngase en contacto con el servicio al cliente o con un centro de servicio autorizado para obtener ayuda.

MANTENIMIENTO GENERAL

Evite el empleo de solventes al limpiar piezas de plástico. La mayoría de los plásticos son susceptibles a diferentes tipos de solventes comerciales y pueden resultar dañados. Utilice paños limpios para eliminar la suciedad, el polvo, el aceite, la grasa, etc.

⚠️ ADVERTENCIA:

No permita en ningún momento que fluidos para frenos, gasolina, productos a base de petróleo, aceites penetrantes, etc., lleguen a tocar las piezas de plástico. Las sustancias químicas pueden dañar, debilitar o destruir el plástico, lo cual a su vez puede producir lesiones corporales serias.

LIMPIEZA DE LA CABEZAL MOTOR

- Apague el motor y retire el paquete de baterías.
- Limpie la suciedad y los residuos del cabezal del motor con un paño húmedo y una pequeña cantidad de detergente.

AVISO:

No emplee detergentes concentrados sobre el compartimiento de plástico o el mango. Pueden dañarse con ciertos aceites aromáticos, como de pino o limón, y con solventes como el querosén.

ALMACENAMIENTO DE LA CABEZAL MOTOR

- Retire el paquete de baterías de la cabezal motor antes de almacenarla.
- Limpie todos los desechos presentes en la cabezal motor.
- Almacene la unidad en un espacio inaccesible a los niños.
- Mantenga la unidad alejada de agentes corrosivos como los productos químicos para el jardín y las sales para derretir el hielo.
- El gancho para el orificio de la llave y el sistema RYOBI LINK se encuentran en la parte inferior de la unidad y se pueden usar para colgar.

Para usar con el sistema de almacenamiento modular LINK:

- La unidad es compatible con el sistema RYOBI LINK. Úselo únicamente en el riel de pared LINK.

CORRECCIÓN DE PROBLEMAS

PROBLEMA	CAUSA POSIBLE	SOLUCIÓN
El motor falla de arranque cuando disparador de gatillo del interruptor.	La paquete de baterías no está fija.	Para fijar el paquete de baterías, asegúrese de que la traba de la parte inferior del paquete de baterías quede insertada en su lugar.
	La paquete de baterías no está cargada.	Cargue el paquete de baterías según las instrucciones incluidas con su modelo.

Este producto tiene una garantía limitada de cinco años para fines personales, familiares o domésticos (90 días para usos trabajo o comercial). Para obtener detalles sobre la garantía, diríjase a www.ryobitools.com o llame sin cargo al 1-800-525-2579.



OPERATOR'S MANUAL

MANUEL D'UTILISATION / MANUAL DEL OPERADOR

40V BRUSHLESS POWER HEAD

40 V BLOC MOTEUR SANS BALAI

40 V CABEZAL MOTOR SIN ESCOBILLAS

RY40HPPH02

• **PARTS AND SERVICE:** Prior to requesting service or purchasing replacement parts, please obtain your item, manufacturing, and serial numbers from the product data plate.

ITEM NO.* _____ MANUFACTURING NO. _____

SERIAL NO. _____

* Model/item number on product may have additional letters at the end. These letters designate manufacturing information and should be provided when calling for service.

HOW TO OBTAIN REPLACEMENT PARTS: Replacement parts can be purchased online at www.ryobitools.com or by calling 1-800-525-2579. Replacement parts can also be obtained at one of our service centers.

HOW TO LOCATE A SERVICE CENTER: Service centers can be located online at www.ryobitools.com or by calling 1-800-525-2579.

HOW TO OBTAIN CUSTOMER OR TECHNICAL SUPPORT: To obtain customer or technical support please contact us at 1-800-525-2579.

RYOBI is a trademark of Ryobi Limited and is used pursuant to a license granted by Ryobi Limited.

• **PIÈCES ET SERVICE :** Avant de faire la demande de service ou l'achat de pièces de remplacement, veuillez obtenir le numéro d'article, le numéro de fabrication et le numéro de série à partir de la plaque de données du produit.

NUMÉRO D'ARTICLE* _____ NUMÉRO DE FABRICATION _____

NUMÉRO DE SÉRIE _____

* Le numéro de modèle/article sur le produit peut contenir des lettres supplémentaires à la fin. Ces lettres désignent les informations du fabricant et doivent être fournies lors d'un appel de demande de service.

COMMENT OBTENIR LES PIÈCES DE REMPLACEMENT : Les pièces de remplacement peuvent être achetées en ligne sur le site www.ryobitools.com ou par téléphone au 1-800-525-2579. Les pièces de remplacement peuvent être obtenues à un de nos centres de service.

COMMENT TROUVER UN CENTRE DE SERVICE : Les centres de service peuvent être localisés en ligne au www.ryobitools.com ou en téléphonant au 1-800-525-2579.

COMMENT OBTENIR DE L'AIDE EN CONTACTANT LE SERVICE À LA CLIENTÈLE : Pour contacter le service à la clientèle pour une question technique ou pour tout autre renseignement, veuillez nous téléphoner au 1-800-525-2579.

RYOBI est une marque de Ryobi Limited et est utilisée en vertu d'une licence accordée par Ryobi Limited.

• **PIEZAS DE REPUESTO Y SERVICIO:** Antes de solicitar servicio técnico o comprar piezas de repuesto, obtenga su número de artículo, el número de fabricación y el número de serie de la placa de datos del producto.

NÚMERO DE ARTÍCULO* _____ NÚMERO DE FABRICACIÓN _____

NÚMERO DE SERIE _____

* El número de modelo/artículo que figura en el producto podría tener letras adicionales al final. Estas designan información de fabricación y deben suministrarse cuando llame para obtener asistencia o servicio.

CÓMO OBTENER PIEZAS DE REPUESTO: Las piezas de repuesto se pueden comprar en nuestro sitio en la red mundial, en la dirección www.ryobitools.com o llamando al 1-800-525-2579. Las piezas de repuesto también se pueden obtener en uno de nuestros centros de servicio.

CÓMO LOCALIZAR UN CENTRO DE SERVICIO: Puede encontrar los centros de servicio visitando nuestro sitio en la red mundial, en la dirección www.ryobitools.com or by calling 1-800-525-2579.

CÓMO OBTENER SERVICIO O ASISTENCIA TÉCNICA AL CONSUMIDOR: Para obtener servicio o asistencia técnica al consumidor, sírvase comunicarse con nosotros llamando al 1-800-525-2579.

RYOBI es una marca de Ryobi Limited y se utiliza conforme a una licencia otorgada por Ryobi Limited.

TTI OUTDOOR POWER EQUIPMENT, INC.

999000540
5-8-25 (REV:01)

P.O. Box 1288, Anderson, SC 29622, USA
1-800-525-2579 • www.ryobitools.com



EXPAND-IT
ATTACHMENTS



REGISTER YOUR TOOLS

<http://register.ryobitools.com>
1-800-525-2579

For quick tool registration and service – scan and download the RYOBI app.

OPERATOR'S MANUAL

MANUEL D'UTILISATION

MANUAL DEL OPERADOR

STRAIGHT SHAFT TRIMMER

ATTACHMENT WITH 2-IN-1

HEAD ACCESSORY

ARBRE DROIT ACCESSOIRE

TAILLE-BORDURES AVEC ACCESSOIRE

TÊTE À 2-EN-1

ACCESORIO PARA RECORTAR

DE EJE RECTO CON ACCESORIO DE

CABEZAL DE 2 EN 1

RY40SS01

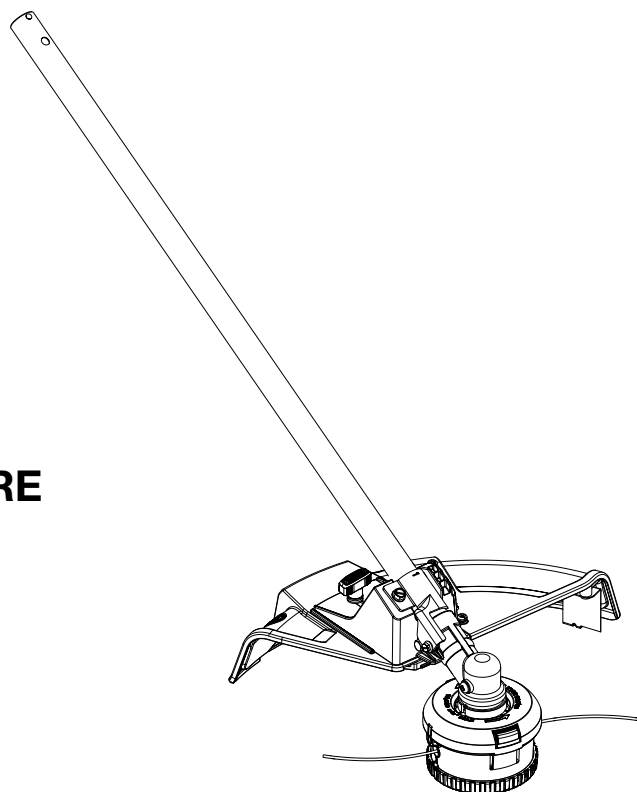


TABLE OF CONTENTS

- General Safety Rules2
- Specific Safety Rules2
- Grass Trimmer Safety Warnings3
- Symbols4
- Features5
- Assembly 5-7
- Operation 7-8
- Maintenance9
- Troubleshooting10
- Parts Ordering/Service..... Back Page

TABLE DES MATIÈRES

- Règles de sécurité générales.....2
- Règles de sécurité particulières.....2
- Avertissements de sécurité pour coupe-herbe3
- Symboles4
- Caractéristiques 4-5
- Assemblage 5-6
- Utilisation 7-9
- Entretien 9-10
- Dépannage.....11
- Commande de pièces/ réparation..... Page arrière

ÍNDICE DE CONTENIDO

- Reglas de seguridad generales.....2
- Reglas de seguridad específicas2
- Advertencias de seguridad de la recortadora de césped.....3
- Símbolos4
- Características 4-5
- Armado 5-6
- Funcionamiento 7-9
- Mantenimiento 9-10
- Corrección de problemas11
- Pedidos de piezas/ servicio..... Pág. posterior

WARNING: To reduce the risk of injury, the user must read and understand the operator's manual before using this product.

AVERTISSEMENT : Pour réduire les risques de blessures, l'utilisateur doit lire et veiller à bien comprendre le manuel d'utilisation avant d'employer ce produit.

ADVERTENCIA: Para reducir el riesgo de lesiones, el usuario debe leer y comprender el manual del operador antes de usar este producto.

SAVE THIS MANUAL FOR FUTURE REFERENCE

CONSERVER CE MANUEL POUR FUTURE RÉFÉRENCE

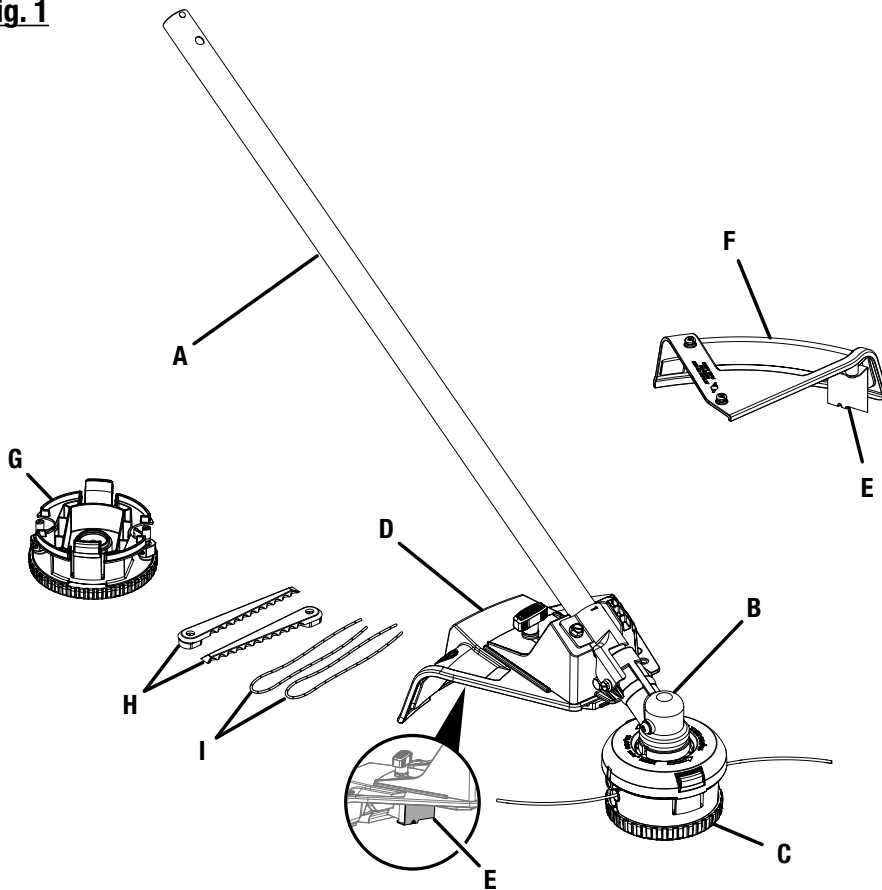
GUARDE ESTE MANUAL PARA FUTURAS CONSULTAS

See this fold-out section for all of the figures referenced in the operator's manual.

Consulter l'encart à volets afin d'examiner toutes les figures mentionnées dans le manuel d'utilisation.

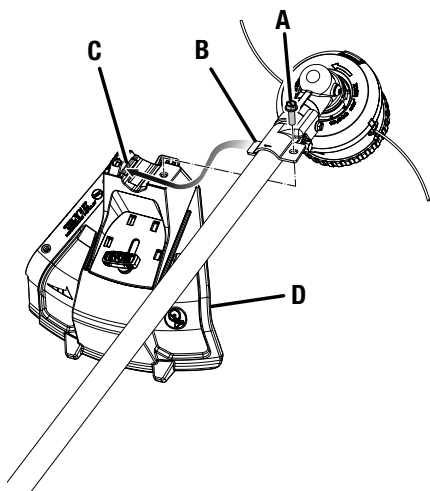
Consulte esta sección desplegable para ver todas las figuras a las que se hace referencia en el manual del operador.

Fig. 1



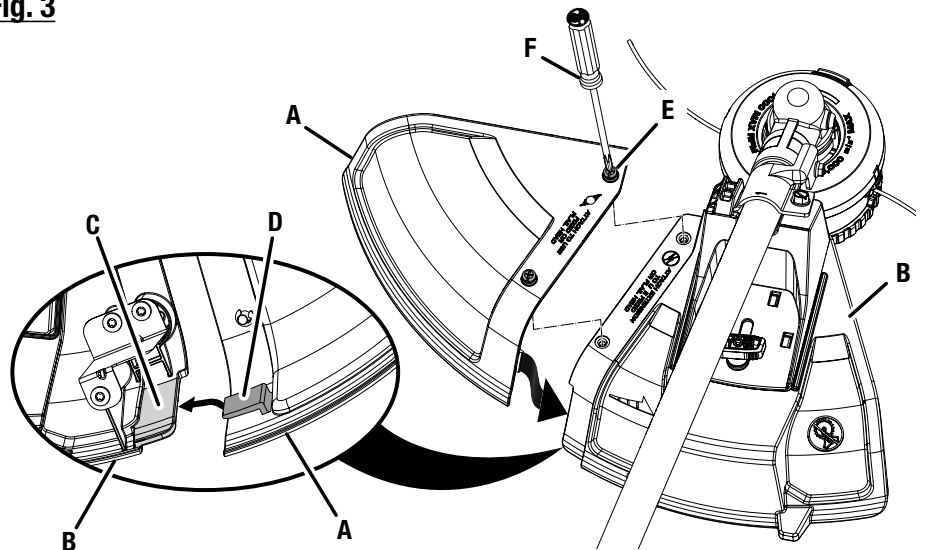
- A - Trimmer shaft (arbre du taille-bordures, eje de la recortadora)
- B - Gear head (carter d'engrenages, cabezal de engranajes)
- C - String head (tête à ligne de coupe, cabezal del hilo)
- D - Grass deflector (déflecteur d'herbe, deflector de pasto)
- E - Line cut-off blade (lame coupe-ligne, cuchilla de corte)
- F - Grass deflector extension (rallonge du déflecteur d'herbe, extensión del deflector de hierba)
- G - 2-in-1 head (tête 2-en-1, cabezal 2 en 1)
- H - Flail blades (lames-fléaux, cuchillas con dientes)
- I - Fixed line segments (segments de ligne fixes, segmentos de línea fija)

Fig. 2



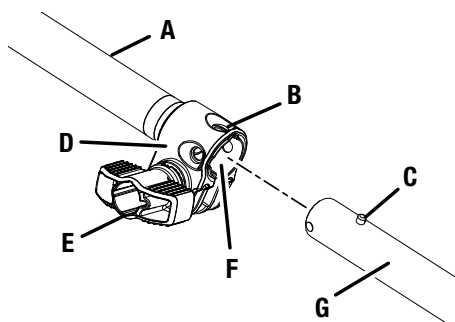
- A - Bolt (boulon, perno)
- B - Tab (languette, orejeta)
- C - Slot (fente, ranura)
- D - Grass deflector (déflecteur d'herbe, deflector de pasto)

Fig. 3



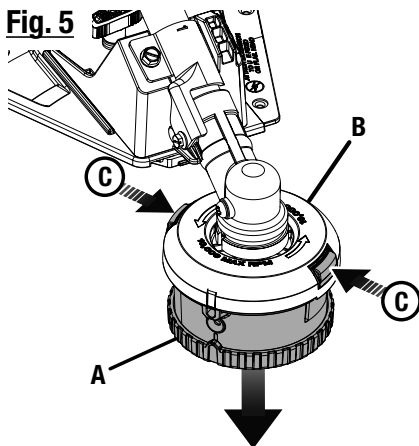
- A - Grass deflector extension (rallonge du déflecteur d'herbe, extensión del deflector de hierba)
- B - Grass deflector (déflecteur d'herbe, deflector de pasto)
- C - Tab (languette, orejeta)
- D - Slot (fente, ranura)
- E - Screw (boulon, perno)
- F - Phillips screwdriver [tournevis à pointe cruciforme (non inclus), embout Phillips (no incluido)]

Fig. 4



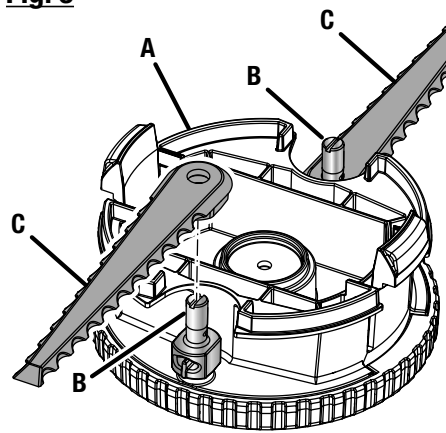
- A - Power head shaft (arbre du bloc moteur, eje del cabezal motor)
- B - Positioning hole (trou de positionnement, orificio de posicionamiento)
- C - Button (bouton, botón)
- D - Coupler (coupleur, acoplador)
- E - Knob (bouton, perilla)
- F - Guide recess (logement guide, hueco guía)
- G - Attachment shaft (arbre d'accessoire, eje del aditamento)

Fig. 5



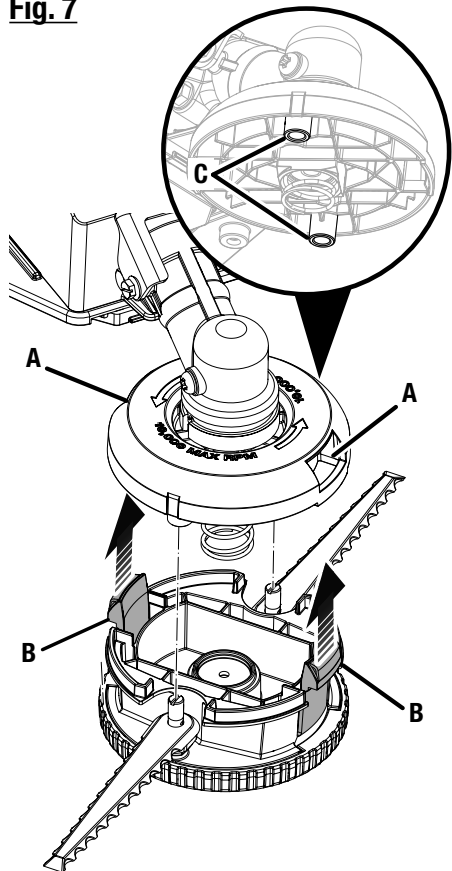
- A - Lower bump feed trimmer head housing (boîtier inférieur de tête à avance par coups, carcasa del cabezal de recortadora de alimentación por golpe inferior)
- B - Upper housing (boîtier supérieur, carcasa superior)
- C - Tabs (languettes, lengüetas)

Fig. 6



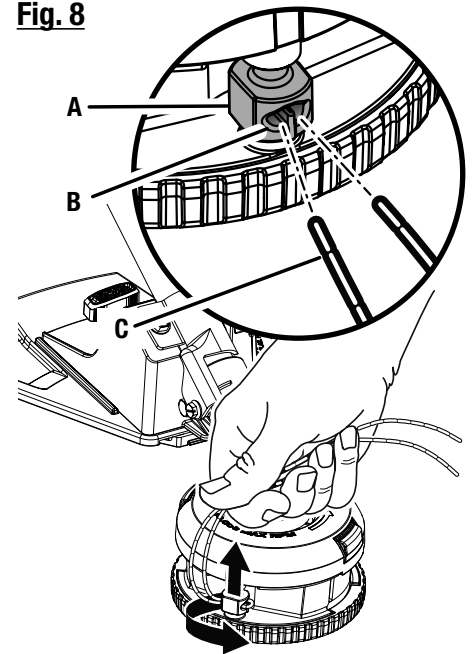
- A - Fixed line/blade housing (boîtier de fil/lame fixe, carcasa de línea fija/hoja)
- B - Posts (poteaux, postes)
- C - Blades (lames, hojas)

Fig. 7



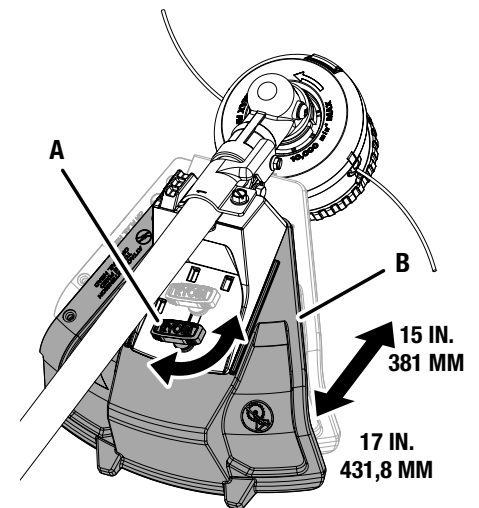
- A - Slots (fentes, ranuras)
- B - Tabs (languettes, lengüetas)
- C - Post holes (rous pour poteaux, orificios para postes)

Fig. 8



- A - Post (poteau, poste)
- B - Eyelet (œillet, ojillos)
- C - Line (ligne, línea)

Fig. 9



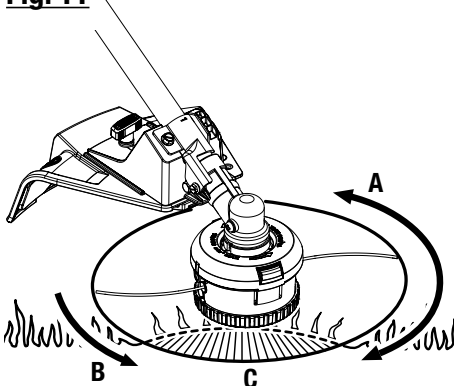
- A - Knob (bouton, perilla)
- B - Grass deflector (déflecteur d'herbe, deflector de pasto)

Fig. 10



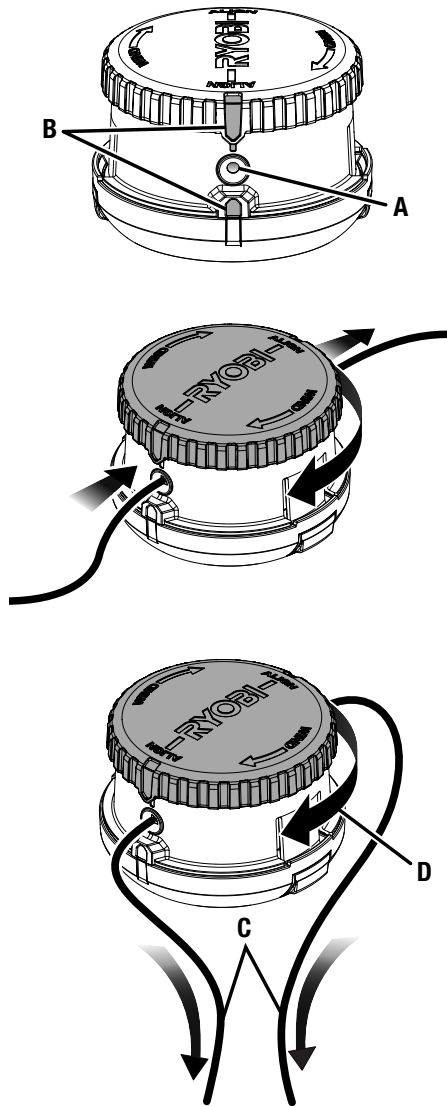
PROPER OPERATING POSITION / BONNE POSITION DE TRAVAIL / POSICIÓN CORRECTA PARA EL MANEJO DE LA HERRAMIENTA

Fig. 11



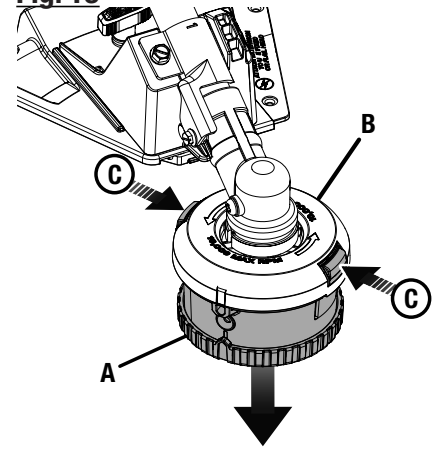
A - Dangerous cutting area (zone de coupe dangereuse, área peligrosa de corte)
 B - Direction of rotation (sens de rotation, sentido de rotación)
 C - Best cutting area (zone d'efficacité maximum, mejor área de corte)

Fig. 12



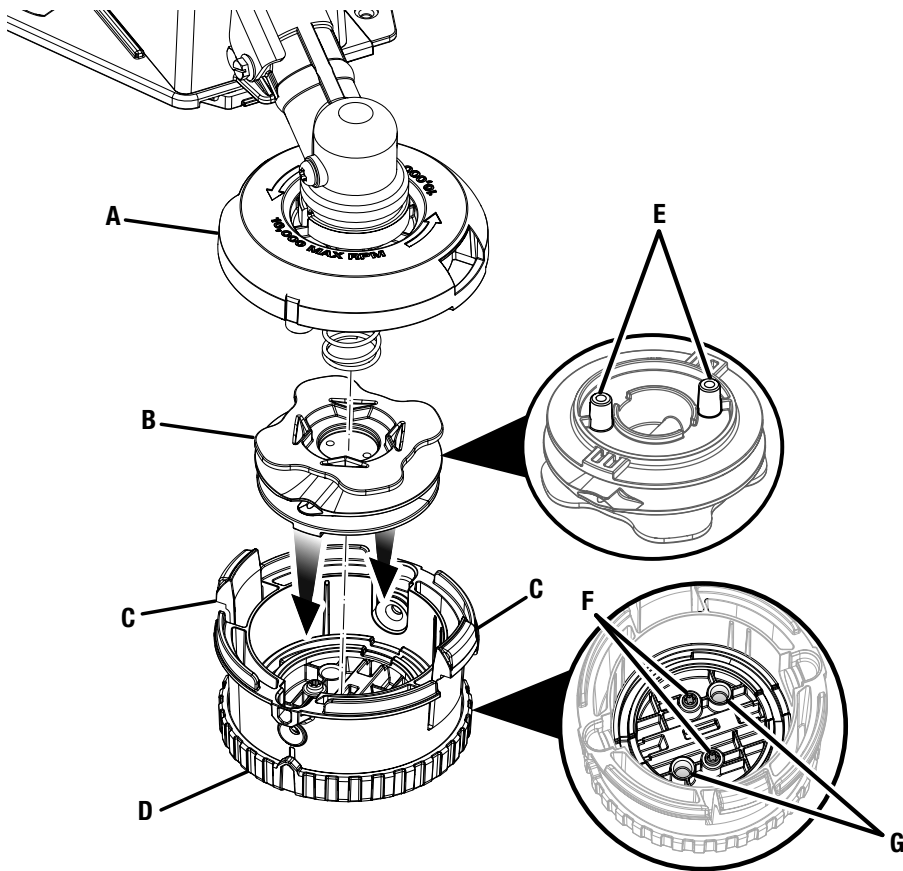
A - Eyelet (œillet, ojillo)
 B - Markers (marqueurs, marcadores)
 C - Pull lines (tirer vers l'extérieur, tira del hilo)
 D - Rotate the bump knob clockwise (tourner la molette dans le sens horaire, girar la perilla de impacto en sentido horario)

Fig. 13



A - Lower bump feed trimmer head housing (boîtier inférieur de tête à avance par coups, carcasa del cabezal de recortadora de alimentación por golpe inferior)
 B - Upper housing (boîtier supérieur, carcasa superior)
 C - Tabs (languettes, lengüetas)

Fig. 14



A - Upper string head housing (boîtier supérieure de tête de coupe, alojamiento superior del cabezal de hilo)
B - Spool (bobine, carrete)
C - Tabs (languettes, lengüetas)

D - Lower string head housing (boîtier inférieur de tête de coupe, alojamiento del cabezal de hilo)
E - Posts (poteaux, postes)
F - Screws (vis, tornillos)
G - Post holes (rous pour poteaux, orificios para postes)

GENERAL SAFETY RULES

WARNING:

Read and understand all instructions. Failure to follow all instructions listed below may result in electric shock, fire, and/or serious personal injury.

SAVE THESE INSTRUCTIONS

- Read these instructions and the instructions for the power head thoroughly before using the straight shaft trimmer attachment.
- Know the tool. Read and understand the operator's manual and observe the warnings and instruction labels affixed to the tool.
- Do not allow children or untrained individuals to use this unit.
- Always wear eye protection with side shields marked to comply with ANSI Z87.1.
- Wear heavy long pants, boots, and gloves. Do not wear loose fitting clothing, short pants, jewelry of any kind, or go barefoot.
- Secure long hair so it is above shoulder level to prevent entanglement in any moving parts.
- Keep all bystanders, children, and pets at least 50 ft. away. Bystanders should be encouraged to wear eye protection.
- Stay alert, watch what you are doing, and use common sense when operating a power tool. Do not use tool while tired or under the influence of drugs, alcohol, or medication. A moment of inattention while operating power tools may result in serious personal injury.

- Do not operate in poor lighting.
- Do not overreach. Keep proper footing and balance at all times. Proper footing and balance enables better control of the tool in unexpected situations.
- Keep all parts of your body away from any moving part.
- Do not rest or place your arm, hand, or any body part against the motor housing during operation. Motor housing on power heads may become hot during trimmer operation. Extended contact with the motor housing can result in burns or other injuries.
- Always stop the motor and disconnect from the power supply before making any adjustments or repairs.
- Inspect unit before each use for loose fasteners and damaged or missing parts. Correct before using the trimmer attachment. Failure to do so can cause serious injury.
- Use only original manufacturer's replacement parts. Failure to do so may cause poor performance, possible injury, and will void your warranty.
- Do not, under any circumstance, use any attachment or accessory on this product, which was not provided with the product, or identified as appropriate for use with this product in the operator's manual.
- Avoid dangerous environments. Do not use the attachment in damp or wet locations. Do not use in rain.
- Use the right attachment. Do not use attachment for any job except that for which it is intended.

SPECIFIC SAFETY RULES

- Replace string head if cracked, chipped, or damaged in any way. Be sure the string head is properly installed and securely fastened. Failure to do so can cause serious injury.
- Make sure all deflectors and handles are properly and securely attached.
- Use only flexible, non-metallic line recommended by the manufacturer. Never use wire, wire rope, or flail blades, which can break off and become dangerous projectiles.
- Never operate string trimmer without the grass deflector in place and in good condition.
- Maintain a firm grip on both handles while trimming.
- Keep string head below waist level. Never cut with the string head located over 30 in. or more above the ground.
- Clear the work area before each use. Remove all objects such as rocks, broken glass, nails, wire, or string which can be thrown or become entangled in the cutting line.
- Save these instructions. Refer to them frequently and use them to instruct others who may use this tool. If you loan someone this tool, loan them these instructions also to prevent misuse of the product and possible injury.




NOTE: SEE YOUR POWER HEAD OPERATOR'S MANUAL FOR ADDITIONAL SPECIFIC SAFETY RULES.

GRASS TRIMMER SAFETY WARNINGS







- **Do not use the machine in bad weather conditions, especially when there is a risk of lightning.** This decreases the risk of being struck by lightning.
- **Thoroughly inspect the area for wildlife where the machine is to be used.** Wildlife may be injured by the machine during operation.
- **Thoroughly inspect the area where the machine is to be used and remove all stones, sticks, wires, bones, and other foreign objects.** Thrown objects can cause personal injury.
- **Before using the machine, always visually inspect to see that the cutter or blade and the cutter or blade assembly are not damaged.** Damaged parts increase the risk of injury.
- **Follow instructions for changing accessories.** Improperly tightened blade securing nuts or bolts may either damage the blade or result in it becoming detached.
- **Wear eye, ear, and hand protection.** Adequate protective equipment will reduce personal injury by flying debris or accidental contact with the cutting line or blade.
- **While operating the machine, always wear non-slip and protective footwear. Do not operate the machine when barefoot or wearing open sandals.** This reduces the chance of injury to the feet from contact with the moving cutter line or blade.
- **While operating the machine, always wear long trousers.** Exposed skin increases the likelihood of injury from thrown objects.
- **Keep bystanders away while operating the machine.** Thrown debris can result in serious personal injury.
- **Always use two hands when operating the machine.** Hold the machine with both hands to avoid loss of control.
- **Hold the grass trimmer by the insulated gripping surfaces only, because the cutting line or blade may contact hidden wiring.** Cutting line or blades contacting a “live” wire may make exposed metal parts of the machine “live” and could give the operator an electric shock.
- **Always keep proper footing and operate the machine only when standing on the ground.** Slippery or unstable surfaces may cause a loss of balance or control of the machine.
- **Do not operate the machine on excessively steep slopes.** This reduces the risk of loss of control, slipping and falling which may result in personal injury.
- **When working on slopes, always be sure of your footing, always work across the face of slopes, never up or down and exercise extreme caution when changing direction.** This reduces the risk of loss of control, slipping and falling which may result in personal injury.
- **Keep all parts of the body away from the cutter line or blade when the machine is operating. Before you start the machine, make sure the cutting line or blade is not contacting anything.** A moment of inattention while operating the machine may result in injury to yourself or others.
- **Do not operate the machine above waist height.** This helps prevent unintended cutter or blade contact and enables better control of the machine in unexpected situations.
- **When cutting brush or saplings that are under tension, be alert for spring back.** When the tension in the wood fibres is released, the brush or sapling may strike the operator and/or throw the machine out of control.
- **Use extreme caution when cutting brush and saplings.** The slender material may catch the blade and be whipped toward you or pull you off balance.
- **Maintain control of the machine and do not touch cutters, lines or blades and other hazardous moving parts while they are still in motion.** This reduces the risk of injury from moving parts.
- **When clearing jammed material or servicing the machine, make sure the switch is off and the battery pack is removed.** Unexpected actuation of the machine while clearing jammed material or servicing may result in serious personal injury.
- **Carry the machine with the machine switched off and away from your body.** Proper handling of the machine will reduce the likelihood of accidental contact with the moving blade.
- **Only use replacement cutters, lines, cutting heads and blades specified by the manufacturer.** Incorrect replacement parts may increase the risk of breakage and injury.

SYMBOLS

The following signal words and meanings are intended to explain the levels of risk associated with this product.

SYMBOL	SIGNAL	MEANING
	DANGER:	Indicates a hazardous situation, which, if not avoided, will result in death or serious injury.
	WARNING:	Indicates a hazardous situation, which, if not avoided, could result in death or serious injury.
	CAUTION:	Indicates a hazardous situation, that, if not avoided, may result in minor or moderate injury.
	NOTICE:	(Without Safety Alert Symbol) Indicates information considered important, but not related to a potential injury (e.g. messages relating to property damage).

Some of the following symbols may be used on this product. Please study them and learn their meaning. Proper interpretation of these symbols will allow you to operate the product better and safer.

SYMBOL	NAME	EXPLANATION
	Safety Alert Symbol	Indicates a potential personal injury hazard.
	Read Operator's Manual	To reduce the risk of injury, user must read and understand operator's manual before using this product.
	Eye and Hearing Protection	Always wear eye protection with side shields marked to comply with ANSI Z87.1, along with hearing protection when operating this equipment.
	Keep Bystanders Away	Keep all bystanders at least 50 ft. away.
	Ricochet	Thrown objects can ricochet and result in personal injury or property damage.
	No Blade	Do not install or use any type of blade on a product displaying this symbol.

FEATURES

PRODUCT SPECIFICATIONS

Line Cutting Width..... 15 in. to 17 in.
Maximum Line Diameter 0.095 in. round or twisted

KNOW YOUR STRING TRIMMER ATTACHMENT

See Figure 1.

The safe use of this product requires an understanding of the information on the product and in this operator's manual as well as a knowledge of the project you are attempting. Before use of this product, familiarize yourself with all operating features and safety rules.

ADJUSTABLE CUTTING DIAMETER

The cutting diameter is adjustable from 15 in. to 17 in. by sliding the guard rail forward and backwards.

BUMP FEED TRIMMER HEAD HOUSING

The bump feed trimmer head housing allows easy line advance during trimmer operation.

FIXED LINE/BLADE HOUSING

Install the fixed line/blade housing when using pre-cut trimmer line for string trimming or the provided blades for cutting thicker weeds or pulpy stalks.

GRASS DEFLECTOR

The trimmer includes a grass deflector that helps protect you from flying debris and maintains line length for continued performance.

ASSEMBLY

UNPACKING

This product requires assembly.

- Carefully remove the items from the box. Make sure that all items listed in the **Packing List** are included.

WARNING:

Do not use this product if any parts in the **Packing List** are already assembled to your product when you unpack it. Parts on this list are not assembled to the product by the manufacturer and require customer installation. Use of a product that may have been improperly assembled could result in serious personal injury.

- Inspect the unit carefully to make sure no damage occurred during shipping.
- Do not discard the packing material until you have carefully inspected and satisfactorily operated the product.
- If any parts are damaged or missing, please call 1-800-525-2579 for assistance.

PACKING LIST

Straight Shaft Trimmer Attachment
0.095 in. Spiral Replacement Line
0.095 in. Fixed Line Segments
Grass Deflector
Grass Deflector Extension
2-in-1 Head
Flail Blades
Operator's Manual

WARNING:

If any parts are damaged or missing do not operate this product until the parts are replaced. Use of this product with damaged or missing parts could result in serious personal injury.

WARNING:

Do not attempt to modify this product or create accessories not recommended for use with this product. Any such alteration or modification is misuse and could result in a hazardous condition leading to possible serious personal injury.

WARNING:

Do not connect to power head until assembly is complete. Failure to comply could result in accidental starting and possible serious personal injury.

ATTACHING THE GRASS DEFLECTOR

See Figure 2

WARNING:

The line cut-off blade on the grass deflector is sharp. Avoid contact with the blade. Failure to avoid contact can result in serious personal injury.

ASSEMBLY

NOTICE:

Failure to attach the grass deflector prevents the line being cut to the proper length and can cause tool failure.

NOTE: Install the grass deflector before the attachment is connected to the power head.

- Remove the bolt from the grass deflector.
- Insert the tab on the mounting bracket in the slot on the grass deflector.
- Align the hole in the mounting bracket with the hole in the grass deflector.
- Insert the bolt through the mounting bracket and into the grass deflector.
- Tighten the bolt securely.
- Remove protective tape from line cut-off blade.

NOTE: Wear gloves when working with the cut-off blade.

INSTALLING THE GRASS DEFLECTOR EXTENSION

See Figure 3.

The grass deflector extension must be attached before switching from a bump head to the 2-in-1 head.

To install:

- Align the tab of the grass deflector extension with the slot of the grass deflector.
- Align holes and insert one screw. Tighten slightly with a Phillips screwdriver (not included).
- Insert second screw and tighten both screws securely.

JOINING THE POWER HEAD TO THE STRAIGHT SHAFT TRIMMER ATTACHMENT

See Figure 4.

WARNING:

Never attach or adjust any attachment while power head is running. Failure to stop the motor may cause serious personal injury.

The trimmer attachment connects to the power head by means of a coupler device.

- Stop the motor and disconnect from the power supply.
- Loosen the knob on the coupler of the power head shaft.
- Push in the button located on the trimmer attachment. Align the button with the guide recess on the power head coupler and slide the two shafts together. Rotate attachment shaft until button locks into the positioning hole.

NOTE: If the button does not release completely in the positioning hole, the shafts are not locked into place. Slightly rotate from side to side until the button is locked into place.

- Tighten the knob securely.

WARNING:

Be certain the knob is fully tightened before operating equipment. Check it periodically for tightness during use to avoid serious injury.

REMOVING THE ATTACHMENT FROM THE POWER HEAD

For removing or changing the attachment:

- Stop the motor and disconnect from the power supply.
- Loosen the knob.
- Push in the button and twist the shafts to remove and separate ends.

INSTALLING THE FIXED LINE/BLADE HOUSING

See Figures 5 - 8.

NOTE: Do not attempt to install the fixed line and the flail blades in the fixed line/blade housing at the same time.

- Stop the motor and disconnect from the power supply.
- Remove the bump feed trimmer head housing by pinching the tabs.

NOTE: The housing is spring loaded and will self eject when unlocked. It is not necessary to remove the upper string head housing from the drive shaft.

Installing the flail blades:

- Place the flail blade over the post and press down until it is fully seated.
- Align the posts on the fixed line/blade housing with the post holes on the upper housing.
- Push the housing together until the tabs snap into place and the fixed line/blade housing is secured.

Installing the fixed line:

- Fold a piece of pre-cut line in half so each half is equal in length.
- Insert the ends of the line through the eyelets in the post and pull tight.
- Repeat with the other post.
- Align the posts on the fixed line/blade housing with the post holes on the upper housing.
- Push the housing together until the tabs snap into place and the fixed line/blade housing is secured.
- The fixed line/blade housing is now ready to use.

OPERATION

WARNING:

Do not allow familiarity with this product to make you careless. Remember that a careless fraction of a second is sufficient to inflict serious injury.

WARNING:

Always wear eye protection with side shields marked to comply with ANSI Z87.1. Failure to do so could result in objects being thrown into your eyes, resulting in possible serious injury.

WARNING:

Do not use any attachments or accessories not recommended by the manufacturer of this product. The use of attachments or accessories not recommended can result in serious personal injury.

NOTICE:

Before each use, inspect the entire product for damaged, missing, or loose parts such as screws, nuts, bolts, caps, etc. Tighten securely all fasteners and caps and do not operate this product until all missing or damaged parts are replaced. Please contact customer service or a qualified service center for assistance.

APPLICATIONS

You may use this product for the purpose listed below:

- Trimming grass and weeds from around porches, fences, and decks when using with the trimmer line.

LINE TRIMMING CUT-OFF BLADE

See Figure 9.

WARNING:

The line cut-off blade on the grass deflector is sharp. Avoid contact with the blade. Failure to avoid contact can result in serious personal injury.

The trimmer is equipped with a line trimming cut-off blade on the grass deflector. For best cutting, advance line until it is trimmed to length by the cut-off blade. Advance the line whenever you hear the motor running faster than normal, or when trimming efficiency diminishes. This will maintain best performance and keep the line long enough to advance properly.

NOTICE:

Failure to attach the grass deflector prevents the line being cut to the proper length and can cause tool failure.

The wingnut, located on the guard rail of the trimmer, is used to adjust the cutting swath.

To increase the cutting swath:

- Stop the motor and disconnect from the power supply.
- Loosen the wingnut counterclockwise to adjust the guard rail.
- Slide the guard rail backward (17 in. is the rear-most position).
- Turn the wingnut clockwise and tighten to set the cutting swath.

To decrease the cutting swath:

- Stop the motor and disconnect from the power supply.
- Loosen the wingnut counterclockwise to adjust the guard rail.
- Slide the guard rail forward (15 in. is the forward-most position).
- Turn the wingnut clockwise and tighten to set the cutting swath.

OPERATING THE TRIMMER

See Figure 10.

WARNING:

The motor housing on power heads may become hot during trimmer operation. Do not rest or place your arm, hand, or any body part against the motor housing during trimmer operation. Only hold the trimmer as shown in figure 10, with all body parts clear of motor housing. Extended contact with the motor housing can result in burns or other injuries.

WARNING:

Always position the unit on the operator's right side. The use of the unit on the operator's left side will expose the user to hot surfaces and can result in possible burn injury.

WARNING:

To avoid burns from hot surfaces, never operate unit with the bottom of the motor above waist level.

Hold the trimmer with your right hand on the rear handle and your left hand on the front handle. Keep a firm grip with both hands while in operation. Trimmer should be held at a comfortable position with the rear handle about hip height.

OPERATION

Always operate trimmer with the switch trigger fully pressed. Cut tall grass from the top down. This will prevent grass from wrapping around the shaft housing and string head which may cause damage from overheating. If grass becomes wrapped around the string head, STOP THE MOTOR, remove the battery pack for cordless power heads, or disconnect the plug from the power source for electric power heads, and remove the grass.

WARNING:

Always hold the string trimmer away from the body keeping clearance between the body and the product. Any contact with the housing or string trimmer cutting head can result in burns and/or other serious personal injury.

CUTTING TIPS

See Figures 10 - 11.

- Avoid hot surfaces by always keeping the tool away from your body. (Proper operating positions shown in figure 10.)
- Keep the trimmer tilted toward the area being cut; this is the best cutting area.
- The trimmer cuts when passing the unit from left to right. This will avoid throwing debris at the operator. Avoid cutting in the dangerous area shown in figure 11.
- Use the tip of line to do the cutting; do not force string head into uncut grass.
- Wire and picket fences cause extra line wear and breakage. Stone and brick walls, curbs, and wood may wear line rapidly.
- Avoid trees and shrubs. Tree bark, wood moldings, siding, and fence posts can easily be damaged by the line.
- Do not attempt to touch or stop moving accessory. Coasting line can cause injury.

When using the flail blades:

- Do not attempt to use the fixed line/blade housing for edging. This will cause premature wear on the blades.
- Inspect trimmer head before each use and periodically during long periods of use. If either blade is bent, warped, cracked, chipped, or damaged, discontinue use immediately and replace the blades.

- Inspect the machine for damage upon striking a hard object or if there appears to be excessive vibration.
- Never cut any material over 1/4 in. diameter.
- After releasing the switch trigger, keep rotating accessory in thicker weeds or pulpy stalks until it stops. Maintain proper control until the accessory has completely stopped rotating.

WARNING:

To avoid damaging blades or fixed line/blade housing, allow at least 1 foot of clearance between the blades and any nearby objects. Never use blades near sidewalks, fencing, posts, siding, buildings, or other immovable objects. Damaged blades or accessories can cause serious personal injury.

ADVANCING THE CUTTING LINE

See Figure 12.

Line advance is controlled by tapping the string head on grass while running motor at full speed.

NOTICE:

Failure to attach the grass deflector prevents the line being cut to the proper length and can cause tool failure.

- Run with the switch trigger fully pressed.
- Tap the bump knob on ground to advance line. The line advances each time the knob is tapped. Do not hold the knob on the ground.

NOTE: The line trimming cut-off blade on the grass deflector will cut the line to the correct length.

NOTE: If the line is worn too short you may not be able to advance the line by tapping it on the ground. If so, STOP THE MOTOR, remove the battery pack for cordless power heads, or disconnect the plug from the power source for electric power heads, and manually advance the line.

To advance the cutting line manually:

- Stop the motor, remove the battery pack for cordless power heads, or disconnect the plug from the power source for electric power heads.
- Push the bump knob in while pulling on line(s) to manually advance the line.

MAINTENANCE

WARNING:

Before inspecting, cleaning, or servicing the machine, shut off motor and disconnect from power supply, and wait for all moving parts to stop. Failure to follow these instructions can result in serious personal injury or property damage.

WARNING:

Always wear eye protection with side shields marked to comply with ANSI Z87.1. Failure to do so could result in objects being thrown into your eyes, resulting in possible serious injury.

WARNING:

When servicing, use only recommended or equivalent replacement parts. Use of any other parts could create a hazard or cause product damage.

NOTICE:

Periodically inspect the entire product for damaged, missing, or loose parts such as screws, nuts, bolts, caps, etc. Tighten securely all fasteners and caps and do not operate this product until all missing or damaged parts are replaced. Please contact customer service or a qualified service center for assistance.

GENERAL MAINTENANCE

Avoid using solvents when cleaning plastic parts. Most plastics are susceptible to damage from various types of commercial solvents and may be damaged by their use. Use clean cloths to remove dirt, dust, oil, grease, etc.

WARNING:

Do not at any time let brake fluids, gasoline, petroleum-based products, penetrating oils, etc., come in contact with plastic parts. Chemicals can damage, weaken or destroy plastic which could result in serious personal injury.

LINE REPLACEMENT

See Figure 12.

Use original manufacturer's replacement line for best performance.

- Stop the motor, remove the battery pack for cordless power heads, or disconnect the plug from the power source for electric power heads.
- Turn green bump knob until white markers are aligned.
- Use one piece of pre-cut trimmer line, or cut one piece of bulk trimmer line 10-16 ft. long.

- Insert the line into the eyelet on the string head housing. Push until the end of the line comes out the other side of the housing. Pull the line until equal amounts of line appear on both sides of the housing.

NOTE: Line may jam if more than 16 ft. is loaded.

- By hand rotate the bump knob clockwise to wind the line on the spool until approximately 6 in. of line is showing on each side.

NOTE: For best results, pull both line ends taut for best loading results and to help prevent line from tangling.

CLEARING LINE JAM AND/OR REPLACING BUMP KNOB

See Figures 13 - 14.

- Stop the motor, remove the battery pack for cordless power heads, or disconnect the plug from the power source for electric power heads.
- Remove the bump feed trimmer head housing by pinching the tabs.
NOTE: The housing is spring loaded and will self eject when unlocked. It is not necessary to remove the upper string head housing from the drive shaft.
- Pull the spool from the string head housing and remove the string from the spool.
- If replacing the bump knob, remove the two screws holding the bump knob onto the spool retainer using a Phillips screwdriver (not included).
- Install the new bump knob by aligning the center post with the slot in the spool retainer.
- Align holes and insert one screw. Tighten slightly with a Phillips screwdriver (not included).
- Insert second screw and tighten both screws securely.
- If you are not replacing the bump knob, skip the steps above.
- When reinstalling spool there are posts that need to be aligned with spool retainer.
- Push the housing together until the tabs snap into place and the bump feed housing is secured.
- Install line as described in **Line Replacement**.

STORING THE ATTACHMENT

- Store the attachment in a well-ventilated place that is inaccessible to children.
- Keep away from corrosive agents such as garden chemicals and deicing salts.

REPLACEMENT PARTS

0.095 in. Spiral Replacement Line (Bulk).....AC0095BL
Flail Replacement Blades.....AC053N1FB
Fixed Line Segments (Pre-cut).....AC053N1FL
Bump Knob Replacement..... A54BK01

Available at homedepot.com

TROUBLESHOOTING

PROBLEM	POSSIBLE CAUSE	SOLUTION
Line will not advance	Line is welded to itself.	Lubricate with silicone spray.
	Not enough line on spool.	Install more line. Refer to Line Replacement earlier in this manual.
	Line is worn too short.	Pull lines while alternately pressing down on and releasing bump knob.
	Line is tangled on spool.	Remove line from spool and rewind. Refer to Line Replacement earlier in this manual.
Grass wraps around boom housing and string head	Cutting tall grass at ground level.	Cut tall grass from the top down to prevent wrapping.
Grass deflector is difficult to adjust	Debris stuck to the grass deflector is causing an obstruction.	Scrape the debris off the grass deflector being careful not to damage it. Keep hands away from the line cut-off blade.



CALL US FIRST

For any questions about operating or maintaining your product, call the RYOBI Help Line!
Your product has been fully tested prior to shipment to ensure your complete satisfaction.

This product has a Five-year Limited Warranty for personal, family, or household use (90 days for business or commercial use). For warranty details, visit www.ryobitools.com or call (toll free) 1-800-525-2579.

RÈGLES DE SÉCURITÉ GÉNÉRALES



AVERTISSEMENT :

Lire et veiller à bien comprendre toutes les instructions. Le non-respect de toutes les instructions ci-dessous peut entraîner un choc électrique, un incendie et/ou des blessures graves.

CONSERVER CES INSTRUCTIONS

- Lire attentivement ces instructions et celles du moteur avant d'utiliser cet accessoire.
- Apprendre à connaître l'outil. Lire et veiller à bien comprendre le manuel de l'opérateur et observer les avertissements et les instructions des autocollants apposés sur l'outil.
- Ne pas laisser des enfants ou des personnes n'ayant pas reçu une formation adéquate utiliser cet outil.
- Toujours porter une protection oculaire avec écrans latéraux certifiée conforme à la norme ANSI Z87.1.
- Porter des pantalons longs, des chaussures de travail et des gants épais. Ne pas porter de vêtements amples, shorts, bijoux quels qu'ils soient et ne pas travailler pieds nus.
- Attacher les cheveux longs pour les maintenir au-dessus des épaules, afin qu'ils ne se prennent pas dans les pièces en mouvement.
- Garder les badauds, enfants et animaux domestiques à une distance minimum de 15 m (50 pi). Recommander aux personnes présentes de porter une protection oculaire.
- Rester attentif, prêter attention au travail, et faire preuve de bon sens lors de l'utilisation de tout outil électrique. Ne pas utiliser cet outil en état de fatigue ou sous l'influence d'alcool, de drogues ou de médicaments. Un moment d'inattention pendant l'utilisation d'un outil électrique peut entraîner des blessures graves.
- Ne pas travailler sous un éclairage insuffisant.
- Ne pas travailler hors de portée. Toujours se tenir bien campé et en équilibre. Des pieds bien campés et un bon équilibre permettent de mieux contrôler l'outil en cas de situation imprévue.
- Garder toutes les parties du corps à l'écart des pièces en mouvement.
- Éviter de placer ou d'appuyer le bras, la main ou toute autre partie du corps contre le logement du moteur pendant l'utilisation. Le logement du moteur peut devenir chaud pendant l'utilisation du taille bordures à fil. Un contact prolongé avec le logement du moteur peut entraîner des brûlures ou d'autres blessures.
- Toujours arrêter le moteur et le débrancher de l'alimentation électrique avant d'effectuer des réglages ou des réparations.
- Inspecter l'appareil avant chaque utilisation pour s'assurer qu'il n'y a pas de fixations desserrées ou de pièces endommagées ou manquantes. Effectuer les corrections requises avant d'utiliser l'accessoire taille-bordures. Ne pas prendre cette précaution peut entraîner des risques de blessures graves.
- Utiliser exclusivement des pièces de rechange d'origine. Toute dérogation peut entraîner un mauvais fonctionnement, des blessures graves et l'annulation de la garantie.
- N'utiliser en aucun cas un accessoire non fourni avec le produit, ou non indiqué comme pouvant être utilisé sur l'outil dans le manuel d'utilisation.
- Éviter les environnements dangereux. Ne pas utiliser l'accessoire dans des endroits humides ou mouillés. Ne pas utiliser sous la pluie.
- Utiliser l'accessoire approprié. Ne pas utiliser l'accessoire dans une application pour laquelle il n'a pas été prévu.

RÈGLES DE SÉCURITÉ PARTICULIÈRES

- Si la tête de coupe est fendue, brisée ou endommagée de quelque façon que ce soit, la remplacer. S'assurer que la tête de coupe est correctement installée et solidement assujettie. Ne pas prendre cette précaution peut entraîner des risques de blessures graves.
- S'assurer que tous les déflecteurs et toutes les poignées sont correctement installés et solidement fixés.
- N'utiliser que le fil flexible et non métallique recommandé par le fabricant. Ne jamais utiliser un fil métallique, un câble ou des lames de fléau susceptibles de devenir des projectiles dangereux.
- Ne jamais utiliser le taille-bordures si le déflecteur d'herbe n'est pas en place et en bon état.
- Tenir fermement les deux poignées pendant le travail.
- Tenir la tête de coupe au-dessous du niveau de la taille. Ne jamais couper en tenant la tête de coupe à plus de 76 cm (30 po) du sol.
- Débarrasser la zone de travail avant chaque utilisation. La débarrasser de tous les objets tels que cailloux, verre brisé, clous, fils métalliques, cordes, etc. risquant d'être projetés ou de se prendre dans la ligne de coupe.
- Conserver ces instructions. Les consulter fréquemment et les utiliser pour instruire les autres utilisateurs éventuels. Si cet outil est prêté, il doit être accompagné de ces instructions, afin d'éviter un usage incorrect et d'éventuelles blessures.




NOTE : CONSULTEZ LE MANUEL D'UTILISATION DE BLOC MOTEUR POUR DE TÊTE POUR DES SUPPLEMENTAIRE RÈGLES DE SÉCURITÉ PARTICULIÈRES.

AVERTISSEMENTS DE SÉCURITÉ POUR COUPE-HERBE







- **Ne pas utiliser la machine dans de mauvaises conditions météorologiques, surtout lorsqu'il y a un risque de foudre.** Ceci évitera le risque d'être frappé par la foudre.
- **Inspecter soigneusement la zone pour déterminer si un animal se trouve où la machine doit être utilisée.** La faune peut être blessée par la machine pendant son fonctionnement.
- **Inspecter soigneusement la zone où la machine doit être utilisée, et retirer tous les pierres, les bâtons, les fils, les os et autres objets étrangers.** Les objets projetés peuvent provoquer des blessures.
- **Avant d'utiliser la machine, toujours inspecter visuellement pour vous assurer que la ligne de coupe ou la lame et l'ensemble de ligne ou de lame ne sont pas endommagés.** Les pièces endommagées augmentent le risque de blessure.
- **Suivre les instructions pour changer les accessoires.** Les écrous ou les boulons retenant la lame mal serrés peuvent endommager la lame ou lui permettre de se détacher.
- **Porter une protection pour les yeux, les oreilles et les mains.** Un équipement de protection adéquat réduira les blessures causées par des débris volants ou un contact accidentel avec la ligne de coupe ou la lame.
- **Lors de l'utilisation de la machine, toujours porter des chaussures antidérapantes et protectrices. Ne pas utiliser la machine pieds nus ou avec des sandales ouvertes.** Cela réduit les risques de blessures aux pieds en cas de contact avec le fil de coupe ou la lame en mouvement.
- **Lors de l'utilisation de la machine, toujours porter un pantalon.** La peau exposée augmente la probabilité de blessures causées par des objets projetés.
- **Éloigner les personnes présentes lors de l'utilisation de la machine.** Les débris projetés peuvent entraîner des blessures graves.
- **Toujours utiliser les deux mains lors de l'utilisation de la machine.** Tenir la machine à deux mains pour éviter toute perte de contrôle.
- **Tenir le coupe-herbe par les surfaces de préhension isolées uniquement, car la ligne de coupe ou la lame peuvent entrer en contact avec des fils cachés.** La ligne de coupe ou les lames entrant en contact avec un fil sous tension peuvent rendre « sous tension » les parties métalliques exposées de la machine et électrocuter l'opérateur.
- **Toujours se tenir bien campé et n'utiliser la machine que lorsqu'on est debout au sol.** Les surfaces glissantes ou instables peuvent entraîner une perte d'équilibre ou de contrôle de la machine.
- **Ne pas utiliser la machine sur des pentes trop raides.** Cela réduit le risque de perte de contrôle, de glissement et de chute pouvant entraîner des blessures.
- **Lorsqu'on travaille sur des pentes, toujours s'assurer de sa position, toujours travailler à l'horizontale sur la face des pentes, pas en la montant et en la descendant, et être extrêmement prudent lors du changement de direction.** Cela réduit le risque de perte de contrôle, de glissement et de chute pouvant entraîner des blessures.
- **Tenir toutes les parties du corps à l'écart du fil de coupe ou de la lame lorsque l'appareil est en marche. Avant de démarrer la machine, s'assurer que la ligne de coupe ou la lame n'entre en contact avec rien.** Un moment d'inattention lors de l'utilisation de la machine peut entraîner des blessures à vous-même ou à autrui.
- **Ne pas utiliser la machine au-dessus de la taille.** Cela permet d'éviter tout contact involontaire de la ligne de coupe ou de la lame et permet un meilleur contrôle de la machine dans des situations inattendues.
- **Lorsqu'on coupe des broussailles ou de jeunes arbres qui sont sous tension, faire attention au rebond.** Lorsque la tension dans les fibres de bois est relâchée, la broussaille ou les jeunes arbres peuvent frapper l'opérateur ou faire perdre le contrôle sur la machine.
- **Être extrêmement prudent lors de la coupe des broussailles et des jeunes arbres.** Le matériau mince peut attraper la lame et être fouetté vers vous ou vous déséquilibrer.
- **Garder le contrôle de l'appareil et ne pas toucher les couteaux, les lignes ou les lames et les autres pièces mobiles dangereuses lorsqu'elles sont encore en mouvement.** Cela réduit le risque de blessure causée par les pièces mobiles.
- **Lorsqu'on dégage un matériau coincé ou qu'on effectue l'entretien de la machine, s'assurer que l'interrupteur est éteint et que la pile est retirée.** Un actionnement inattendu de la machine lors du nettoyage du matériau coincé ou de l'entretien peut entraîner des blessures graves.
- **Transporter la machine arrêtée loin de votre corps.** Une manipulation correcte de la machine réduira les risques de contact accidentel avec la lame en mouvement.
- **Utiliser uniquement des gouges, des lignes, des têtes de coupe et des lames de rechange spécifiées par le fabricant.** Des pièces de rechange incorrectes peuvent augmenter le risque de bris et de blessure.

SYMBOLES

Les termes de mise en garde suivants et leur signification ont pour but d'expliquer le degré de risques associé à l'utilisation de ce produit.

SYMBOLE	SIGNAL	SIGNIFICATION
	DANGER :	Indique une situation dangereuse qui, si elle n'est pas évitée, aura pour conséquences des blessures graves ou mortelles.
	AVERTISSEMENT :	Indique une situation dangereuse qui, si elle n'est pas évitée, pourrait entraîner des blessures graves ou mortelles.
	ATTENTION :	Indique une situation dangereuse qui, si elle n'est pas évitée, pourrait entraîner des blessures légères ou de gravité modérée.
	AVIS :	(Sans symbole d'alerte de sécurité) Indique les informations jugées importantes sans toutefois représenter un risque de blessure (ex. : messages concernant les dommages matériels).

Certains des symboles ci-dessous peuvent être présents sur la produit. Veiller à les étudier et à apprendre leur signification. Une interprétation correcte de ces symboles permettra d'utiliser la produit plus efficacement et de réduire les risques.

SYMBOLE	NOM	EXPLICATION
	Symbole d'alerte de sécurité	Indique un risque de blessure potentiel.
	Lire le manuel d'utilisation	Pour réduire les risques de blessures, l'utilisateur doit lire et veiller à bien comprendre le manuel d'utilisation avant d'utiliser ce produit.
	Protection oculaire et auditive	Toujours porter une protection oculaire avec écrans latéraux certifiée conforme à la norme ANSI Z87.1. ainsi qu'une protection auditive.
	Ne laisser personne s'approcher	Ne jamais laisser quiconque se tenir à moins de 15 m (50 pi) de l'outil.
	Ricochet	Les objets projetés peuvent ricocher et infliger des blessures ou causer des dommages matériels.
	Ne pas utiliser de lame	Ne jamais utiliser une lame quelconque sur un outil portant ce symbole.

CARACTÉRISTIQUES

FICHE TECHNIQUE

Largeur de coupe de ligne..... 381 mm à 431.8 mm (15 po à 17 po)
 Diamètre maximum de fil..... 2,4 mm (0,095 po) rond ou torsadé

CARACTÉRISTIQUES

APPRENDRE À CONNAÎTRE L'ACCESSOIRE TAILLE-BORDURES À ARBRE DROIT

Voir la figure 1.

La sécurité d'utilisation de ce produit exige la compréhension des informations apposées sur le produit et contenues dans ce manuel d'utilisation, ainsi que la connaissance du travail à exécuter. Avant d'utiliser ce produit, se familiariser avec toutes ses fonctions et règles de sécurité.

DIAMÈTRE DE COUPE RÉGLABLE

Les diamètres de coupe de 381 mm à 431.8 mm (15 à 17 po) se règlent en tournant la lame de sectionnement du fil.

BOÎTIER DE TÊTE À AVANCE PAR COUPS

Le boîtier de tête à avance par coups permet d'avancer la ligne facilement et tapant la tête de coupe contre le sol.

BOÎTIER DE FIL/LAME FIXE

Installer le boîtier de fil/lame fixe lors de l'utilisation d'un fil précoupé pour tailler les bordures ou des lames fournies pour couper les mauvaises herbes plus épaisses ou les tiges pulpeuses.

DÉFLECTEUR D'HERBE

Le coupe-herbe est équipé d'un déflecteur d'herbe pour protéger des débris volants et maintient la longueur de la ligne pour une performance continue.

ASSEMBLAGE

DÉBALLAGE

Ce produit nécessite l'assemblage.

- Avec précaution, sortir le produit et les accessoires de la boîte. S'assurer que toutes les pièces figurant sur la **Liste de contrôle d'expédition** sont incluses.

AVERTISSEMENT :

Ne pas utiliser le produit si, en le déballant, vous constatez que des éléments figurant dans la **Liste de contrôle d'expédition** sont déjà assemblés. Certaines pièces figurant sur cette liste n'ont pas été assemblées par le fabricant et exigent une installation. Le fait d'utiliser un produit qui a été assemblé de façon inadéquate peut entraîner des blessures.

- Examiner soigneusement le produit pour s'assurer que rien n'a été brisé ou endommagé en cours de transport.
- Ne pas jeter les matériaux d'emballage avant d'avoir soigneusement examiné le produit et avoir vérifié qu'il fonctionne correctement.
- Si des pièces sont manquantes ou endommagées, appeler le 1-800-525-2579.

LISTE DE CONTRÔLE D'EXPÉDITION

Arbre droit accessoire taille-bordures

Fil de remplacement spirale de 2,4 mm (0,095 po)

Segments de ligne fixes de 2,4 mm

Déflecteur d'herbe

Rallonge du déflecteur d'herbe

Tête 2-en-1

Lames-fléaux

Manuel d'utilisation

AVERTISSEMENT :

Si des pièces manquent ou sont endommagées, ne pas utiliser ce produit avant qu'elles aient été remplacées. Le fait d'utiliser ce produit même s'il contient des pièces endommagées ou s'il lui manque des pièces peut entraîner des blessures graves.

AVERTISSEMENT :

Ne pas essayer de modifier cet produit ou de créer des accessoires non recommandés pour le produit. De telles altérations ou modifications sont considérées comme un usage abusif et peuvent créer des conditions dangereuses, risquant d'entraîner des blessures graves.

AVERTISSEMENT :

Ne pas brancher sur le bloc-moteur avant d'avoir terminé l'assemblage. Le non-respect de cet avertissement peut causer un démarrage accidentel, entraînant des blessures graves.

INSTALLATION DU DÉFLECTEUR D'HERBE

Voir la figure 2.

AVERTISSEMENT :

La lame coupe ligne du déflecteur est tranchante. Éviter de la toucher. Le contact avec la lame peut causer des blessures graves.

ASSEMBLAGE

AVIS :

Le fait de ne pas fixer le déflecteur d'herbe empêche de couper le fil à la bonne longueur et peut entraîner une défaillance de l'outil.

NOTE : Installer le déflecteur d'herbe avant de fixer l'accessoire sur l'ensemble moteur.

- Retirer le boulon du déflecteur d'herbe.
- Insérer la languette du support de montage dans la fente du déflecteur d'herbe.
- Aligner le trou du support de montage sur le trou du déflecteur d'herbe.
- Insérer le boulon dans le support et le déflecteur d'herbe.
- Serrer le boulon fermement.
- Retrait de l bande protecteur de la lame coupe ligne.

NOTE : Porter des gants pour travailler avec la lame coupe-ligne.

INSTALLATION DE LA RALLONGE DU DÉFLECTEUR D'HERBE

Voir la figure 3.

La rallonge du déflecteur d'herbe doit être attachée avant de transformer la tête à avance par frappe en tête 2-en-1.

Pour installer :

- Aligner la languette de la rallonge du déflecteur d'herbe sur la fente du déflecteur d'herbe.
- Aligner les trous et insérer une vis. Serrer légèrement avec un tournevis Phillips (non compris).
- Insérer une deuxième vis et serrer les deux vis fermement.

RACCORDEMENT DU BLOC-MOTEUR À L'ACCESSOIRE TAILLE-BORDURES À ARBRE DROIT

Voir la figure 4.

AVERTISSEMENT :

Ne jamais installer ou ajuster un accessoire lorsque le moteur tourne. Ceci pourrait causer des blessures graves.

L'accessoire taille-bordures se raccorde au bloc-moteur à l'aide d'un dispositif de couplage.

- Arrêter le moteur et débrancher de la prise secteur.
- Desserrez le bouton sur le coupleur de l'arbre de la tête motrice.
- Appuyer sur le bouton se trouvant sur l'accessoire de taille-bordures. Aligner le bouton sur la rainure guide du bloc moteur et emboîter les deux arbres. Tourner l'arbre de l'accessoire jusqu'à ce que le bouton de verrouillage s'engage dans le trou de positionnement.

NOTE : Si le bouton ne s'engage pas complètement dans le trou de positionnement, les arbres ne sont pas solidement maintenus l'un dans l'autre. Tourner légèrement les arbres dans les deux sens jusqu'à ce que le bouton s'engage complètement.

- Serrer le bouton fermement.

AVERTISSEMENT :

S'assurer que le bouton est bien serré avant d'utiliser l'outil. Vérifier de temps à autre pour éviter le risque de blessures graves.

RETRAIT DE L'ACCESSOIRE DU BLOC MOTEUR

Retrait ou remplacement de l'accessoire :

- Arrêter le moteur et débrancher de la prise secteur.
- Desserrer le bouton.
- Enfoncer le bouton et tourner les arbres pour retirer et séparer les extrémités.

INSTALLATION DU BOÎTIER DE FIL/LAME FIXE

Voir les figures 5 à 8.

NOTE : Ne pas tenter d'installer le fil fixe et les lames-fléaux dans le boîtier de fil/lame fixe en même temps.

- Arrêter le moteur et débrancher de la prise secteur.
- Retirer le boîtier de la tête de coupe à alimentation par chocs en pinçant les languettes.

NOTE : Le boîtier est à ressorts et s'éjecte automatiquement quand il est déverrouillé. Il n'est pas nécessaire de retirer le boîtier supérieur de tête de coupe hors de l'arbre d'entraînement.

Installation des lames-fléaux :

- Placer la lame-fléau sur le montant et appuyer dessus jusqu'à ce qu'elle soit complètement en position.
- Aligner les poteaux du boîtier de la ligne fixe/lame avec les rous pour poteaux du boîtier supérieur.
- Pousser le boîtier jusqu'à ce que les languettes s'enclenchent et que le boîtier de la ligne fixe/lame soit fixé.

Installation de la lame fixe :

- Plier en deux un morceau de fil pré coupé, en s'assurant que chaque moitié a la même longueur.
- Insérer les bouts du fil dans les oeilllets du montant et tirer fermement.
- Répéter pour l'autre montant.
- Aligner les poteaux du boîtier de la ligne fixe/lame avec les rous pour poteaux du boîtier supérieur.
- Pousser le boîtier jusqu'à ce que les languettes s'enclenchent et que le boîtier de la ligne fixe/lame soit fixé.
- Le boîtier de fil/lame fixe est maintenant prêt à être utilisé.

UTILISATION

AVERTISSEMENT :

Ne pas laisser la familiarité avec este produit faire oublier la prudence. Ne pas oublier qu'une fraction de seconde d'inattention peut entraîner des blessures graves.

AVERTISSEMENT :

Toujours porter une protection oculaire avec écrans latéraux certifiée conforme à la norme ANSI Z87.1. Si cette précaution n'est pas prise, des objets peuvent être projetés dans les yeux et causer des lésions graves.

AVERTISSEMENT :

Ne pas utiliser d'accessoires non recommandés par le fabricant de ce produit. L'utilisation de pièces et accessoires non recommandés peut entraîner des blessures graves.

AVIS :

Avant chaque utilisation, inspecter au complet le produit afin de s'assurer qu'aucune pièce (vis, écrous, boulons, chapeaux, etc.) n'est endommagée, manquante ou desserrée. Serrer solidement toutes les pièces de fixation et les chapeaux et ne pas utiliser le produit tant que toutes les pièces manquantes ou endommagées n'ont pas été remplacées. Pour obtenir de l'aide, veuillez communiquer avec le service à la clientèle ou un centre de réparations qualifié.

APPLICATIONS

Cet produit peut être utilisé pour les application ci-dessous :

- Enlever aisément des mauvaises herbes et l'herbe du pourtour des porches, barrières, et des terrasses lors de l'utilisation de ligne de taille-bordures

LAME DE SECTIONNEMENT DE LIGNE

Voir la figure 9.

AVERTISSEMENT :

La lame coupe ligne du déflecteur est tranchante. Éviter de la toucher. Le contact avec la lame peut causer des blessures graves.

Ce taille-bordures est équipé d'une lame de sectionnement de ligne montée sur le déflecteur d'herbe. Pour obtenir une coupe optimale, faire progresser le fil jusqu'à ce qu'il soit coupé à la longueur correcte par la lame coupe-ligne. Le

fil doit être avancé chaque fois que le moteur tourne à une vitesse supérieure à la normale ou lorsque la coupe devient moins efficace. Ceci permet de maintenir une efficacité maximum et de maintenir une longueur de fil suffisante pour avancer correctement.

AVIS :

Le fait de ne pas fixer le déflecteur d'herbe empêche de couper le fil à la bonne longueur et peut entraîner une défaillance de l'outil.

L'écrou à oreilles, situé sur le garde-corps du coupe-herbe, sert à ajuster la trajectoire de coupe.

Pour augmenter la trajectoire de coupe :

- Arrêter le moteur et débrancher de la prise secteur.
- Desserrer l'écrou à oreilles en sens antihoraire pour ajuster le garde-corps.
- Glisser le garde-corps vers l'arrière (43,18 cm étant la position la plus en arrière).
- Tourner l'écrou à oreilles en sens horaire et serrer pour régler la trajectoire de coupe.

Pour réduire la trajectoire de coupe :

- Arrêter le moteur et débrancher de la prise secteur.
- Desserrer l'écrou à oreilles en sens antihoraire pour ajuster le garde-corps.
- Glisser le garde-corps vers l'avant (38,1 cm étant la position la plus en avant).
- Tourner l'écrou à oreilles en sens horaire et serrer pour régler la trajectoire de coupe.

UTILISATION DU TAILLE-BORDURES

Voir la figure 10.

AVERTISSEMENT :

Le logement du moteur peut devenir chaud pendant l'utilisation du taille bordures à fil. Éviter de placer ou d'appuyer le bras, la main ou toute autre partie du corps contre le logement du moteur pendant l'utilisation du taille bordures. Tenir l'outil uniquement dans la position illustrée à les figure 6 en s'assurant qu'aucune partie du corps ne se trouve à proximité du logement du moteur. Un contact prolongé avec le logement du moteur peut entraîner des brûlures ou d'autres blessures.

AVERTISSEMENT :

Toujours tenir l'outil à sa droite. L'utilisation à gauche exposerait l'utilisateur aux surfaces chaudes, créant ainsi des risques de brûlures.

UTILISATION

AVERTISSEMENT :

Pour éviter le contact avec les parties brûlantes, ne jamais travailler avec le bas du moteur au-dessus du niveau de la taille.

Tenir le taille-bordures avec la main droite sur la poignée arrière et la main gauche sur la poignée avant. Garder une prise ferme sur les deux poignées pendant le fonctionnement. Le taille-bordures doit être tenu dans une position confortable, la poignée arrière se trouvant à peu près à hauteur de la taille.

Toujours utiliser le taille bordures en appuyant complètement sur la gâchette. Couper les herbes hautes de haut en bas. Ceci empêchera l'herbe de s'enrouler sur le tube de l'arbre moteur et la tête de coupe, ce qui pourrait causer des dommages dus à une surchauffe. Si l'herbe s'enroule sur la tête de coupe, **ARRÊTER LE MOTEUR**, retirer le bloc-piles de l'ensemble moteur sans fil ou débrancher la fiche de la source d'alimentation s'il s'agit d'un ensemble moteur électrique, et enlever l'herbe.

AVERTISSEMENT :

Toujours tenir le taille-bordures à l'écart de soi en maintenant une distance de sécurité entre le corps et l'équipement. Tout contact avec le boîtier ou avec la tête de coupe du taille-bordures peut causer des brûlures et / ou d'autres blessures graves.

CONSEILS DE COUPE

Voir les figures 10 à 11.

- Éviter les surfaces très chaudes en maintenant toujours l'outil à l'écart du corps. Position de travail correcte illustrée à la figure 10.
- Pour une efficacité maximum, garder le taille-bordures incliné vers la zone de coupe.
- Pour couper avec le taille-bordures à arbre droit, utiliser un mouvement de balayage de gauche à droite. Ceci évite que les débris soient projetés en direction de l'opérateur. Éviter de couper dans la zone dangereuse comme le montre l'illustration à la figure 11.
- Couper avec l'extrémité de la ligne; ne pas forcer la tête de coupe dans l'herbe non coupée.
- Les palissades en métal et en bois accélèrent l'usure de la ligne et peuvent la faire casser. Les murs en pierre et brique, trottoirs et pièces de bois peuvent user la ligne rapidement.
- Contourner les arbres et buissons. L'écorce des arbres, les moulures en bois, le lambrissage et les piquets de palissades peuvent être endommagés par la ligne.
- Ne pas essayer de toucher ou d'arrêter l'accessoire en rotation. Une lame ou une ligne continuant à fonctionner après l'arrêt peut occasionner des blessures.

Lors de l'utilisation des lames-fléaux :

- Ne pas tenter l'utilisation de cet accessoire pour boîtier de fil/lame fixe pour couper les bordures. Ceci provoquera une usure prématurée des lames.
- Inspecter la tête de coupe avant chaque utilisation et périodiquement pendant les périodes d'utilisation prolongées. Cesser immédiatement l'utilisation et remplace la lame si cette dernière est pliée, voilée, fissurée, ébréchée, ou endommagée.
- Inspecter l'appareil pour déceler tout dommage lors de la frappe d'un objet dur ou s'il semble y avoir une vibration excessive.
- Ne jamais couper de tiges de plus de 6,4 mm (1/4 po) de diamètre.
- Après relâcher la gâchette, garder l'accessoire en rotation dans de l'herbe épaisse ou des tiges pulpeuses, jusqu'à ce qu'ils s'immobilise. Garder le contrôle de l'outil jusqu'à ce que l'accessoire soit complètement immobilisée.

AVERTISSEMENT :

Pour éviter d'endommager les lames ou boîtier de fil/lame fixe, laisser une distance d'au moins 304,8 mm (12 po) entre les lames et les objets avoisinants. Ne jamais utiliser de lames près de trottoirs, clôtures, poteaux, bâtiments ou autres objets fixes. Des lames ou des accessoires endommagés peuvent causer des blessures graves.

AVANCE DE LA LIGNE DE COUPE

Voir la figure 12.

L'avance de la ligne est obtenue en tapant la tête de coupe sur le gazon, le moteur tournant à plein régime.

AVIS :

Le fait de ne pas fixer le déflecteur d'herbe empêche de couper le fil à la bonne longueur et peut entraîner une défaillance de l'outil.

- Faire fonctionner le moteur à plein régime s'il s'agit d'un ensemble moteur à essence, ou en appuyant complètement sur la gâchette s'il s'agit d'un ensemble moteur sans fil ou électrique.
- Taper le capuchon du mécanisme de coup sur le sol pour faire avancer la ligne. La ligne avance chaque fois que la tête de coupe est frappée sur le sol. Ne pas maintenir le bouton contre le sol.

NOTE : La lame du déflecteur d'herbe coupe la ligne à la longueur correcte.

NOTE : Si la ligne devient trop courte, il peut ne pas être possible de la faire avancer en tapant la tête de coupe sur le sol. Dans ce cas, **ARRÊTER LE MOTEUR**, retirer le bloc-piles de l'ensemble moteur sans fil ou débrancher la fiche de la source d'alimentation s'il s'agit d'un ensemble moteur électrique, et tirer la ligne à la main.

UTILISATION

Avance manuelle de la ligne de coupe :

- Arrêter le moteur, retirer le bloc-piles de l'ensemble moteur sans fil ou débrancher la fiche de la source d'alimentation s'il s'agit d'un ensemble moteur électrique.

- Appuyer sur le capuchon du mécanisme de coup et tirer sur la ou les lignes pour sortir la longueur désirée.

ENTRETIEN

AVERTISSEMENT :

Avant d'inspecter, nettoyer ou entretenir l'équipement, couper le moteur et débrancher la fiche de la source d'alimentation, et attendre que toutes les pièces en mouvement s'arrêtent. Le non-respect de ces instructions peut entraîner des blessures graves ou des dégâts matériels.

AVERTISSEMENT :

Toujours porter une protection oculaire avec écrans latéraux certifiée conforme à la norme ANSI Z87.1. Si cette précaution n'est pas prise, des objets peuvent être projetés dans les yeux et causer des lésions graves.

AVERTISSEMENT :

Utiliser exclusivement des pièces recommandées ou équivalentes pour les réparations. L'usage de toute autre pièce peut créer une situation dangereuse ou endommager l'outil.

AVIS :

Inspecter périodiquement au complet le produit afin de s'assurer qu'aucune pièce (vis, écrous, boulons, chapeaux, etc.) n'est endommagée, manquante ou desserrée. Serrer solidement toutes les pièces de fixation et les chapeaux et ne pas utiliser le produit tant que toutes les pièces manquantes ou endommagées n'ont pas été remplacées. Pour obtenir de l'aide, veuillez communiquer avec le Service à la clientèle ou un centre de réparations qualifié.

ENTRETIEN GÉNÉRAL

Éviter d'utiliser des solvants pour le nettoyage des pièces en plastique. La plupart des matières plastiques peuvent être endommagées par divers types de solvants du commerce. Utiliser un chiffon propre pour éliminer la saleté, la poussière, l'huile, la graisse, etc.

AVERTISSEMENT :

Ne jamais laisser de liquides tels que le fluide de freins, l'essence, les produits à base de pétrole, les huiles pénétrantes, etc., entrer en contact avec les pièces en plastique. Les produits chimiques peuvent endommager, affaiblir ou détruire le plastique, ce qui peut entraîner des blessures graves.

REPLACEMENT DE LIGNE

Voir la figure 12.

Utiliser du fil de remplacement d'origine pour obtenir un rendement optimal.

- Arrêter le moteur, retirer le bloc-piles de l'ensemble moteur sans fil ou débrancher la fiche de la source d'alimentation s'il s'agit d'un ensemble moteur électrique.
- Tourner la molette verte jusqu'à ce que les marqueurs blancs soient alignés.
- Utiliser un morceau de fil de coupe prédécoupé ou couper un morceau de fil de coupe en vrac de 3,05 à 4,88 m de long.
- Insérer le fil dans l'oeillet du logement de la tête de coupe. Pousser jusqu'à ce que le fil ressorte de l'autre côté du logement. Tirer le fil jusqu'à ce qu'une quantité égale de fil apparaissent des deux côtés du logement.

NOTE : Le fil risque de coincer si la quantité enroulée est supérieure à 4,88 m (16 pi).

- Manuellement tourner la capuchon du mécanisme de coup dans le sens horaire pour enrouler le ligne autour de celle-ci jusqu'à ce qu'environ 152,4 mm (6 po) de ligne apparaisse de chaque côté de la bobine.

NOTE : Pour obtenir des résultats optimaux, tirer et tendre les deux extrémités tours afin d'améliorer les résultats d'enroulement et aider à prévenir l'enchevêtrement du ligne.

DÉCOINCEMENT DU LIGNE ET/OU REPLACEMENT DU CAPUCHON DU MÉCANISME DE COUP

Voir les figures 13 à 14.

- Arrêter le moteur, retirer le bloc-piles de l'ensemble moteur sans fil ou débrancher la fiche de la source d'alimentation s'il s'agit d'un ensemble moteur électrique.
- Retirer le boîtier de la tête de coupe à alimentation par chocs en pinçant les languettes.
NOTE: Le boîtier est à ressorts et s'éjecte automatiquement quand il est déverrouillé. Il n'est pas nécessaire de retirer le boîtier supérieur de tête de coupe hors de l'arbre d'entraînement.
- Tirer la bobine du boîtier de la tête de fil et retirer le fil de la bobine.
- Si vous remplacez la molette, retirez les deux vis qui maintiennent le bouton de déclenchement sur le support de bobine à l'aide d'un tournevis cruciforme (non fourni).
- Installer la nouvelle molette en alignant le montant central avec la fente du dispositif de retenue de la bobine.
- Aligner les trous et insérer une vis. Serrer légèrement avec un tournevis Phillips (non compris).

- Insérer une deuxième vis et serrer les deux vis fermement.
- Si vous ne remplacez pas la molette, sautez les étapes ci-dessus.
- Lors de la réinstallation de la bobine, il y a des poteaux qui doivent être alignés avec le dispositif de retenue de la bobine.
- Pousser le boîtier ensemble jusqu'à ce que les languettes s'enclenchent en place et que le boîtier de la molette soit bien fixé.
- Installer le ligne tel que décrit à la section intitulée **Remplacement de ligne.**

REMISAGE DE L'ACCESSOIRE

- Ranger l'accessoire dans un endroit bien aéré inaccessible aux enfants.
- La tenir à l'écart de produits corrosifs, tels que les produits chimiques de jardinage et le sel de dégivrage.

PIÈCES DE REMPLACEMENT

Fil spirale de 2,4 mm (0,095 po) (rouleau)..... AC0095BL
Lames de rechange pour fléau..... AC053N1FB
Segments de ligne fixe (prédécoupés)..... AC053N1FL
Remplacement de la molette A54BK01
Disponible sur le site www.homedepot.com

DÉPANNAGE

PROBLÈME	CAUSE POSSIBLE	SOLUTION
La ligne n'avance pas	Ligne soudée sur elle-même.	Lubrifier avec un produit au silicone.
	Pas assez de ligne sur la bobine.	Installer une nouvelle ligne. Voir Remplacement de ligne , plus haut dans ce manuel.
	Ligne trop courte.	Tirer les lignes en appuyant sur la bobine et en la relâchant alternativement.
	Ligne emmêlée sur la bobine.	Retirer la ligne de el capuchon et la réenrouler. Consulter la section du présent manuel qui traite du Remplacement de ligne .
L'herbe s'enroule sur le tube de l'arbre moteur et la tête de coupe	Coupe de hautes herbes au ras du sol.	Couper les herbes hautes du haut en bas.
Le déflecteur d'herbe est difficile à ajuster	Des débris coincés sur le déflecteur d'herbe causent une obstruction.	Retirer les débris du déflecteur d'herbe en veillant à ne pas l'endommager. Garder les mains loin de la lame à fil de coupe.



NOUS APPELER D'ABORD

Pour toute question concernant l'utilisation ou l'entretien utiliser ce produit, appeler le service d'assistance téléphonique RYOBI !

Le taille-bordures à été entièrement testé avant expédition pour assurer la complète satisfaction de l'utilisateur.

Ce produit est accompagné d'une garantie limitée de cinq (5) ans pour utilisation personnel, familiales ou domestiques (90 jours pour utilisation affaires ou commerciaux). Pour obtenir les détails de la garantie, visiter le site www.ryobitools.com ou appeler (sans frais) au 1-800-525-2579.

REGLAS DE SEGURIDAD GENERALES



ADVERTENCIA:

Lea y comprenda todas las instrucciones. El incumplimiento de las instrucciones señaladas abajo puede causar descargas eléctricas, incendios y lesiones serias.

GUARDE ESTAS INSTRUCCIONES

- Lea detenidamente estas instrucciones y las instrucciones para su cabezal motor antes de utilizar el accesorio para recortar de eje recto.
- Familiarícese con la herramienta. Lea y comprenda el manual del operador y observe las advertencias y etiquetas de instrucciones adheridas a la herramienta.
- No permita que utilicen esta unidad niños ni personas carentes de la debida instrucción para su manejo.
- Siempre póngase protección ocular con protección lateral con la marca de cumplimiento de la norma ANSI Z87.1.
- Póngase pantalones, botas y guantes gruesos. No se ponga ropa holgada, pantalones cortos, joyería de ningún tipo ni ande descalzo.
- Recójase el cabello si lo tiene largo, de manera que le quede arriba de los hombros para evitar que se enrede en las piezas en movimiento.
- Mantenga a todos los circunstantes, niños y animales por lo menos a 15 m (50 pies) de distancia. Debe exhortarse a los circunstantes a ponerse protección para los ojos.
- Permanezca alerta, preste atención a lo que esté haciendo, y aplique el sentido común al utilizar herramientas eléctricas. No utilice la herramienta si está cansado o se encuentra bajo los efectos de alguna droga, alcohol o medicamento. Un momento de inatención al utilizar una herramienta eléctrica puede causar lesiones corporales serias.
- No utilice este producto si no hay luz suficiente.
- No estire el cuerpo para alcanzar mayor distancia. Mantenga una postura firme y buen equilibrio en todo momento. Una postura firme y un buen equilibrio permiten un mejor control de la herramienta en situaciones inesperadas.
- Mantenga todas las partes del cuerpo alejadas de toda pieza móvil.
- No apoye ni coloque el brazo, la mano ni ninguna parte del cuerpo contra la carcasa del motor mientras esté en uso. Es posible que la carcasa del motor se caliente mientras la recortadora de hilo esté en uso. El contacto prolongado con la carcasa del motor puede causar quemaduras u otras lesiones.
- Detenga siempre el motor y desconéctelo de la fuente de alimentación antes de realizar cualquier ajuste o reparación.
- Inspeccione la unidad antes de cada uso para verificar que no haya pernos sueltos no partes dañadas o faltantes. Efectúe las correcciones necesarias antes de utilizar el accesorio para recortar. La inobservancia de esta advertencia puede causar lesiones serias.
- Sólo utilice piezas de repuesto del fabricante original. De lo contrario puede originarse un mal desempeño de la herramienta y lesiones corporales, además de anularse la garantía.
- En ninguna circunstancia, use accesorio o accesorio alguno en este producto, que no se haya suministrado con el producto mismo, o que no esté identificado como apropiado para el uso con este producto en el manual del operador.
- Evite los entornos peligrosos de trabajo. No use el accesorio en lugares húmedos o mojados. No lo use en la lluvia.
- Utilice el accesorio adecuado para la tarea. No utilice este producto para ninguna función diferente de las especificadas.

REGLAS DE SEGURIDAD ESPECÍFICAS




- Reemplace el cabezal del hilo si estuviese agrietado, astillado o dañado de alguna manera. Asegúrese de que el cabezal del hilo esté debidamente instalado y firmemente asegurado. La inobservancia de esta advertencia puede causar lesiones corporales serias.
 - Asegúrese que todos los deflectores y las asas estén acoplados debidamente y de manera segura.
 - Utilice únicamente la cuerda no metálica recomendada por el fabricante. Nunca utilice alambre, cable metálico o cuchillas trilladoras; todos estos pueden romperse y convertirse en peligroso proyectiles.
 - Nunca utilice la recortadora de hilo si el deflector de césped no está en posición y en buenas condiciones de funcionamiento.
 - Al usar la recortadora, sujétela firmemente en ambas asas.
 - Mantenga el cabezal del hilo por debajo del nivel de la cintura. Nunca corte con el cabezal del hilo a más de 76 cm (30 pulg.) del suelo.
 - Despeje el área de trabajo cada vez antes de utilizar esta herramienta. Retire todos los objetos tales como piedras, vidrios rotos, clavos, alambre o cuerdas que pudiesen resultar lanzados o enredados en el hilo de corte.
 - Guarde estas instrucciones. Consúltelas con frecuencia y empléelas para instruir a otras personas que puedan utilizar esta herramienta. Si presta a alguien esta herramienta, facilítele también las instrucciones con el fin de evitar un uso indebido del producto y posibles lesiones.
- NOTA: VEA LA MANUAL DEL OPERADOR DE CABEZAL DE MOTOR PARA REGLAS DE SEGURIDAD ESPECÍFICAS ADICIONALES.**

ADVERTENCIAS DE SEGURIDAD DE LA RECORTADORA DE CÉSPED







- **No use la máquina en condiciones de clima adverso, especialmente cuando haya riesgo de relámpagos.** Esto disminuye el riesgo de ser alcanzado por un relámpago.
- **Inspeccione cuidadosamente el área para cerciorarse de que no haya animales donde use la máquina.** De haberlos, podría dañarlos durante la operación.
- **Inspeccione cuidadosamente el área donde quiera usar la máquina y quite piedras, palos, alambres, huesos y otros elementos extraños.** Los objetos que salgan arrojados pueden causar lesiones personales.
- **Antes de usar la máquina, inspeccione visualmente la herramienta para asegurarse de que el cortador o la cuchilla, o el conjunto del cortador o la cuchilla no estén dañados.** Las partes dañadas incrementan el riesgo de lesiones.
- **Siga las instrucciones para cambiar los accesorios.** Las tuercas o pernos que sostienen la cuchilla mal ajustados pueden dañar la cuchilla o hacer que esta se salga.
- **Use protección ocular, para oídos y manos.** Un equipo de protección adecuado reducirá las lesiones personales por suciedad flotante o contacto accidental con la línea o cuchilla de corte.
- **Mientras use la máquina, use siempre calzado protector y que evite resbalos. No use la máquina descalzo o con calzado abierto tipo sandalias.** Esto reduce la posibilidad de lesiones en los pies por contacto con el hilo de corte o la cuchilla en movimiento.
- **Mientras usa la máquina, use siempre pantalones largos.** La piel expuesta incrementa la posibilidad de lesiones con objetos arrojados.
- **Mantenga alejados a los transeúntes mientras usa la máquina.** La suciedad arrojada puede causar lesiones personales graves.
- **Use siempre dos manos al usar la máquina.** Sostenga la máquina con ambas manos para no perder el control.
- **Sostenga la recortadora de césped de las superficies de agarre insuladas solamente, ya que la línea de corte o cuchilla podrían entrar en contacto con cables ocultos.** La línea de corte o las cuchillas que entren en contacto con un cable electrificado podrían electrificar partes expuestas de metal de la máquina, lo que podría darle al operador una descarga eléctrica.
- **Pise siempre con estabilidad y use la máquina solamente parado en el suelo.** Las superficies resbaladizas o inestables podrían causar la pérdida de estabilidad o control de la máquina.
- **No use la máquina en pendientes demasiado empinadas.** Esto reduce la posibilidad de pérdida de control, resbalos o caídas, que podrían resultar en lesiones personales.
- **Cuando trabaje en pendientes, asegúrese de pisar con firmeza, trabaje siempre en sentido transversal a la pendiente, nunca moviéndose hacia arriba o hacia abajo, y tenga extremo cuidado al cambiar de dirección.** Esto reduce el riesgo de pérdida de control, resbalos y caídas, que podrían resultar en lesiones personales graves.
- **Mantenga todas las partes del cuerpo alejadas de la línea de corte o de la hoja cuando la máquina esté en funcionamiento. Antes de iniciar la máquina, asegúrese de que la línea de corte o cuchilla no estén en contacto con nada.** Un momento de distracción al usar la máquina podría ocasionarle lesiones a usted u otras personas.
- **No use la máquina sobre la altura de la cadera.** Esto ayuda a evitar el contacto no intencionado con el cortador o la cuchilla, y otorga mayor control de la máquina en situaciones inesperadas.
- **Cuando corte arbustos o arbolitos que estén bajo tensión, tenga cuidado cuando estos vuelvan a su posición original.** Cuando se libera la tensión en las fibras de la madera, el arbusto o los arbolitos pueden golpear al operador y hacer que pierda el control de la máquina.
- **Tenga extremo cuidado al cortar arbustos o arbolitos.** El material delgado puede agarrar la hoja y darle un latigazo o hacer que pierda el equilibrio.
- **Mantenga el control de la máquina y no toque los cortadores, líneas o cuchillas y otras piezas móviles peligrosas mientras aún están en movimiento.** Esto reduce el riesgo de lesiones que puedan causarle las partes en movimiento.
- **Cuando quite material atascado o haga tareas de mantenimiento en la herramienta, asegúrese de que el interruptor esté apagado y de extraer primero la batería.** La acción inesperada de la máquina al quitar material atascado o realizar tareas de mantenimiento podría resultar en lesiones personales graves.
- **Transporte la máquina apagada y alejada del cuerpo.** La manipulación apropiada de la máquina reducirá la posibilidad de contacto accidental con la cuchilla en movimiento.
- **Utilice únicamente cortadores, líneas, cabezales de corte y cuchillas de repuesto especificados por el fabricante.** Las piezas de repuesto inapropiadas pueden incrementar el riesgo de daños materiales o lesiones.

SÍMBOLOS

Las siguientes palabras de señalización y sus significados tienen el objeto de explicar los niveles de riesgo relacionados con este producto.

SÍMBOLO	SEÑAL	SIGNIFICADO
	PELIGRO:	Indica una situación peligrosa, la cual, si no se evita, causará la muerte o lesiones serias.
	ADVERTENCIA:	Indica una situación peligrosa, la cual, si no se evita, podría causar la muerte o lesiones serias.
	PRECAUCIÓN:	Indica una situación peligrosa la cual, si no se evita, puede causar lesiones leves o moderadas.
	AVISO:	(Sin el símbolo de alerta de seguridad) e considera importante, pero no relacionada con lesiones potenciales (por ej. en relación a daños a la propiedad).

Es posible que se empleen en este producto algunos de los siguientes símbolos. Le suplicamos estudiarlos y aprender su significado para mayor seguridad al manejar este producto.

SÍMBOLO	NOMBRE	EXPLICACIÓN
	Símbolo de alerta de seguridad	Indique un risque de blessure potentiel.
	Lea el manual del operador	Para reducir el riesgo de lesiones, el usuario debe leer y comprender el manual del operador antes de usar este producto.
	Protección para los ojos y los oídos	Siempre póngase protección ocular con la marca de cumplimiento de la norma ANSI Z87.1 junto con protección auditiva.
	Mantenga alejadas a las personas presentes	Mantenga a los circunstantes a una distancia mínima de 15 m (50 pies).
	Rebote	Cualquier objeto lanzado puede rebotar y producir lesiones personales o daños físicos.
	No instale hoja de corte	No instale ni utilice ningún tipo de hoja de corte en ningún producto con este símbolo.

CARACTERÍSTICAS

ESPECIFICACIONES DEL PRODUCTO

Anchura del corte del hilo 381 mm a 431,8 mm (15 pulg. a 17 pulg.)
 Diámetro máximo del hilo..... 2,4 mm (0,095 pulg.) redonda o trenzada

CARACTERÍSTICAS

FAMILIARÍCESE CON EL ACCESORIO PARA RECORTAR DE EJE RECTO

Vea la figura 1.

Para usar este producto con la debida seguridad se debe comprender la información indicada en la producto misma y en este manual, y se debe comprender también el trabajo que intenta realizar. Antes de usar este producto, familiarícese con todas las características de funcionamiento y normas de seguridad del mismo.

DIÁMETRO DE CORTE AJUSTABLE

El diámetro de corte se puede ajustar de 381 mm (15 pulg.) a 431,8 mm (17 pulg.) haciendo girar la cuchilla de corte del hilo.

CARCASA DEL CABEZAL DE RECORTADORA DE ALIMENTACIÓN POR GOLPE

El carcasa del cabezal de recortadora de alimentación por golpe permite avanzar con facilidad el hilo al utilizarse la recortadora.

CARCASA DE LÍNEA FIJA/HOJA

Instale la carcasa de línea fija/hoja cuando utilice línea de recortadora precortada para el corte con hilo o las hojas provistas para cortar malezas más gruesas o tallos pulposos.

DEFLECTOR DE PASTO

La recortadora incluye un deflector de hierba que ayuda a protegerlo de los desechos que salgan despedidos y mantiene la longitud de la línea para un rendimiento continuo.

ARMADO

DESEMPAQUETADO

Este producto debe armarse.

- Extraiga cuidadosamente de la caja la producto y los accesorios. Asegúrese de que estén presentes todos los artículos enumerados en la **Lista de empaquetado**.



ADVERTENCIA:

No utilice este producto si alguna pieza incluida en la Lista de empaquetado ya está ensamblada al producto cuando lo desempaqueta. El fabricante no ensambla las piezas de esta lista en el producto. Éstas deben ser instaladas por el usuario. El uso de un producto que puede haber sido ensamblado de forma inadecuada podría causar lesiones personales graves.

- Inspeccione cuidadosamente la producto para asegurarse de que no haya sufrido ninguna rotura o daño durante el transporte.
- No deseche el material de empaquetado hasta que haya inspeccionado cuidadosamente la producto y la haya utilizado satisfactoriamente.
- Si hay piezas dañadas o faltantes, le suplicamos llamar al 1-800-525-2579, donde le brindaremos asistencia.

LISTA DE EMPAQUETADO

Accesorio para cortar de eje recto
Línea de repuesto espiral de 2,4 mm (0,095 pulg.)
Segmentos de línea fija de 2,4 mm
Deflector de pasto
Extensión del deflector de hierba
Cabezal 2 en 1
Cuchillas con dientes
Manual del operador



ADVERTENCIA:

Si falta o está dañada alguna pieza, no utilice este producto sin haber reemplazado la pieza. Usar este producto con partes dañadas o faltantes puede causar lesiones serias al operador.



ADVERTENCIA:

No intente modificar esta producto ni hacer accesorios no recomendados para la misma. Cualquier alteración o modificación constituye maltrato el cual puede causar una condición peligrosa, y como consecuencia posibles lesiones corporales serias.



ADVERTENCIA:

No conecte la unidad al cabezal motor antes de terminar de armarla. De lo contrario la unidad puede ponerse en marcha accidentalmente, con el consiguiente riesgo de lesiones serias.

MONTAJE DEL DEFLECTOR DE PASTO

Vea la figura 2.



ADVERTENCIA:

La cuchilla de cortar el hilo del deflector de pasto está afilada. Evite tocar la cuchilla. Si no evita tal contacto puede originarse lesiones corporales serias.

ARMADO

AVISO:

Si no coloca el deflector de césped, impedirá que la línea se corte a la longitud adecuada y puede ocasionar fallas en la herramienta.

NOTA: Instale el deflector de pasto antes de acoplar el accesorio al cabezal motor.

- Retire el perno del deflector de pasto.
- Introduzca la orejeta del soporte de montaje en la ranura del deflector de pasto.
- Alinee el orificio en el soporte de montaje con orificio del deflector de pasto.
- Introduzca el perno a través del soporte de montaje y en el deflector de pasto.
- Apriete firmemente el perno.
- Quite la cinta protectora de la hoja de corte.

NOTA: Use guantes mientras trabaja con la cuchilla de corte.

INSTALACIÓN DE LA EXTENSIÓN DEL DEFLECTOR DE HIERBA

Vea la figura 3.

La extensión del deflector de hierba se debe colocar antes de cambiar de un cabezal de avance por golpe al cabezal 2 en 1.

Instalación:

- Alinee la lengüeta de la extensión del deflector de hierba con la ranura del deflector de hierba.
- Alinee los agujeros e inserte un tornillo. Ajuste ligeramente con un destornillador Phillips (no incluido).
- Inserte el segundo tornillo y ajuste ambos tornillos firmemente.

ACOPLAMIENTO DEL CABEZAL DE POTENCIA AL ACCESORIO PARA RECORTAR DE EJE RECTO

Vea la figura 4.

⚠ ADVERTENCIA:

Nunca una ni ajuste ningún accesorio mientras esté funcionando el cabezal motor. Si no se detiene el motor podría causar lesiones personales graves.

El accesorio para recortar se acopla al cabezal de potencia por medio de un dispositivo acoplador.

- Apague el motor y desconecte la unidad del suministro de corriente.
- Afloje la perilla en el acoplador del eje del cabezal motor.
- Oprima el botón situado en el accesorio para recortar. Alinee el botón con el hueco guía situado en el acoplador del eje del cabezal motor y con un movimiento de deslizamiento una los dos ejes. Gire el accesorio para recortar de eje recto hasta que el botón se trabe en el orificio de posicionamiento.

NOTA: Si el botón no se sueltan completamente en el orificio de posicionamiento, significa que los ejes no están bien asegurados en su lugar. Gire levemente los ejes de un lado a otro hasta que el botón quede asegurado en su lugar.

- Apriete firmemente la perilla.



ADVERTENCIA:

Asegúrese de que esté bien apretada la perilla antes de utilizar el equipo. Verifique periódicamente el apriete de la misma durante el uso para evitar lesiones serias.

DESMONTAJE DEL ACCESORIO DEL CABEZAL MOTOR

Para desmontar o cambiar el accesorio:

- Apague el motor y desconecte la unidad del suministro de corriente.
- Afloje la perilla.
- Oprima el botón y gire los ejes para separar los extremos de los mismos.

INSTALACIÓN DE LA CARCASA DE LÍNEA FIJA/HOJA

Vea las figuras 5 a 8.

NOTA: No intente instalar la línea fija y las cuchillas dentadas en la carcasa de línea fija/hoja al mismo tiempo.

- Apague el motor y desconecte la unidad del suministro de corriente.
- Retire la carcasa del cabezal de corte con avance por golpe pellizcando las lengüetas.

NOTA: La carcasa tiene un resorte y saldrá expulsada automáticamente cuando se desbloquee. No es necesario retirar la carcasa del cabezal de hilo superior de la barra de transmisión.

Instalación de las cuchillas dentadas:

- Coloque la cuchilla dentada sobre el perno y presione hacia abajo hasta que quede bien colocada.
- Alinee los postes de la línea fija/carcasa de cuchillas con los orificios para postes de la carcasa superior.
- Empuje la carcasa hasta que las lengüetas encajen en su lugar y la carcasa de la línea fija/cuchilla esté asegurada.

Instalación de la línea fija:

- Doble un trozo de línea precortada por la mitad de modo que cada mitad tenga la misma longitud.
- Inserte los extremos de la línea en los orificios de los pernos y tire con fuerza.
- Repita el proceso con el otro perno.
- Alinee los postes de la línea fija/carcasa de cuchillas con los orificios para postes de la carcasa superior.
- Empuje la carcasa hasta que las lengüetas encajen en su lugar y la carcasa de la línea fija/cuchilla esté asegurada.
- La carcasa de línea fija/hoja ahora está lista para usarse.

FUNCIONAMIENTO

ADVERTENCIA:

No permita que su familiarización con los productos lo vuelva descuidado. Tenga presente que un descuido de un instante es suficiente para causar una lesión grave.

ADVERTENCIA:

Siempre póngase protección ocular con protección lateral con la marca de cumplimiento de la norma ANSI Z87.1. La inobservancia de esta advertencia puede permitir que los objetos lanzados hacia los ojos puedan provocar lesiones graves.

ADVERTENCIA:

No utilice ningún accesorio no recomendado por el fabricante de este producto. El empleo de aditamentos o accesorios no recomendados puede causar lesiones graves.

AVISO:

Antes de cada uso, inspeccione todo el producto para detectar partes dañadas, faltantes o sueltas, como tornillos, tuercas, pernos, tapas, etc. Apriete firmemente todos los sujetadores y las tapas y no accione este producto hasta que todas las partes faltantes o dañadas sean reemplazadas. Póngase en contacto con el servicio al cliente o con un centro de servicio calificado para obtener ayuda.

APLICACIONES

Este producto puede emplearse para los fines enumerados abajo:

- Realizar con suma facilidad el recorte de céspedes y malezas alrededor de porches, cercas, y terrazas cuando se usan línea de recortadora.

CUCHILLA DE CORTE DEL HILO

Vea la figura 9.

ADVERTENCIA:

La cuchilla de cortar el hilo del deflector de pasto está afilada. Evite tocar la cuchilla. Si no evita tal contacto puede originarse lesiones corporales serias.

Esta recortadora está equipada con una cuchilla de corte del hilo instalada en el deflector de pasto. Para obtener mejores resultados en el recorte, avance el hilo hasta que la cuchilla lo corte a la longitud apropiada. Avance el hilo siempre que escuche que el motor está funcionando más rápido de lo

normal, o cuando disminuya la eficiencia del recorte. Esto mantendrá un desempeño óptimo y mantendrá el hilo a la suficiente longitud para que avance correctamente.

AVISO:

Si no coloca el deflector de césped, impedirá que la línea se corte a la longitud adecuada y puede ocasionar fallas en la herramienta.

La tuerca mariposa, ubicada en el riel de protección de la recortadora, se utiliza para ajustar el ancho de corte.

Para aumentar el ancho de corte:

- Apague el motor y desconecte la unidad del suministro de corriente.
- Afloje la tuerca mariposa en sentido antihorario para ajustar el riel de protección.
- Deslice el riel de protección hacia atrás (43,18 cm es la posición de más atrás).
- Gire la tuerca mariposa en el sentido de las agujas del reloj y ajústela para fijar el ancho de corte.

Para disminuir el ancho de corte:

- Apague el motor y desconecte la unidad del suministro de corriente.
- Afloje la tuerca mariposa en sentido antihorario para ajustar el riel de protección.
- Deslice el riel de protección hacia adelante (38,1 cm es la posición de más adelante).
- Gire la tuerca mariposa en el sentido de las agujas del reloj y ajústela para fijar el ancho de corte.

MANEJO DE LA RECORTADORA

Vea la figura 10.

ADVERTENCIA:

Es posible que la carcasa del motor se caliente mientras la recortadora de hilo esté en uso. No apoye ni coloque el brazo, la mano ni ninguna parte del cuerpo contra la carcasa del motor mientras la recortadora esté en uso. Sólo sostenga la recortadora como se muestra en la figura 6 con todas las partes del cuerpo alejadas de la carcasa del motor. El contacto prolongado con la carcasa del motor puede causar quemaduras u otras lesiones.

ADVERTENCIA:

Siempre coloque la unidad al lado derecho de usted. Si se utiliza la unidad colocándola en el lado izquierdo del cuerpo, el usuario expone éste a superficies calientes, lo cual puede causar lesiones por quemadura.

FUNCIONAMIENTO

ADVERTENCIA:

Para evitar quemaduras causadas por tocar superficies calientes, al utilizar esta unidad nunca coloque la parte inferior de la misma arriba del nivel de la cintura.

Sujete la recortadora con la mano derecha en el mango trasero y coloque la mano izquierda en el mango delantero. Sujete firmemente la unidad con ambas manos durante la operación. Se recomienda sujetar la recortadora en una posición cómoda, con el mango trasero a la altura de la cadera.

Para utilizar la recortadora, siempre presione el gatillo del interruptor por completo. Corte la hierba alta desde la parte superior hacia abajo. Esto evitará que la hierba se enrolle alrededor del alojamiento del eje y del cabezal del hilo que pudiese causar daño por calentamiento excesivo. Si la hierba se enrolla alrededor del cabezal del hilo, **DETENGA EL MOTOR**, retire el paquete de baterías de las cabezal motores inalámbrico o desconecte la clavija del suministro de corriente para los cabezales motores eléctricos, y desprenda la hierba.

ADVERTENCIA:

Siempre sujete la recortadora de hilo lejos del cuerpo, manteniendo un espacio entre el cuerpo y la herramienta. Cualquier contacto del cuerpo con la armazón o el cabezal de corte de la recortadora de hilo puede producir quemaduras y/o otras lesiones serias.

SUGERENCIAS PARA CORTAR

Vea las figuras 10 a 11.

- Evite tocar las superficies calientes de la herramienta; para ello, manténgala lejos del cuerpo. (La posición correcta de manejo de la herramienta se muestra en la figura 10).
- Mantenga la recortadora inclinada hacia el área de corte; ésta es la mejor área de corte.
- La recortadora de eje curvo corta cuando se pasa la unidad de izquierda a derecha. La recortadora de eje recto corta cuando se pasa la unidad de izquierda a derecha. De esta manera se evita el lanzamiento de desechos hacia el operador. Evite cortar en el área peligrosa mostrada en la ilustración en la figura 11.
- Use la punta del hilo para efectuar el recorte; no fuerce el cabezal del hilo hacia la hierba sin cortar.
- Las cercas de alambre y de estacas causa desgaste adicional en el hilo, incluso la ruptura. Los muros de piedra y de ladrillo, los cordones y la madera pueden gastar rápidamente el hilo.
- Evite el contacto con árboles y los arbustos. La corteza de los árboles, las molduras de madera, los revestimientos de las paredes y los postes de las cercas pueden resultar dañados fácilmente por el hilo.

- No intente tocar o detener las cuchillas mientras continúe girando. Las línea en funcionamiento podrían causar lesiones.

Cuando utilice las cuchillas dentadas:

- No intente utilizar la carcasa de línea fija/hoja para bordear. Esto hará que las hojas se desgasten de forma prematura.
- Revise el cabezal de corte antes de usarlas y con cierta regularidad durante períodos de uso prolongados. Si alguna de las hojas está doblada, arqueada, rajada, astillada o dañada, deje de usarla de inmediato y reemplazar las hojas.
- Inspeccione la máquina en busca de daños al golpear un objeto duro o si parece haber vibración excesiva.
- Nunca corte ningún material de diámetro superior a 6,4 mm (1/4 pulg.).
- Después de soltar el gatillo del interruptor, mantenga el accesorio girando en maleza espesa o tallos pulposos hasta el detenga. Mantenga un control adecuado de la herramienta hasta que se detenga por completo el accesorio.

ADVERTENCIA:

Para evitar que se dañen las hojas o la carcasa de línea fija/hoja, deje al menos 304,8 mm (12 pulg.) de espacio libre entre las hojas y cualquier objeto cercano. Nunca utilice ninguna hoja cerca de aceras, cercas, postes, tinglados, edificaciones ni de ningún objeto fijo. Una hoja o accesorio dañados pueden causar lesiones personales de gravedad.

AVANCE DEL HILO DE CORTE

Vea la figura 12.

El avance del hilo se controla golpeando levemente el cabezal del hilo contra el pasto mientras el funciona a la máxima aceleración.

AVISO:

Si no coloca el deflector de césped, impedirá que la línea se corte a la longitud adecuada y puede ocasionar fallas en la herramienta.

- Presione el gatillo del interruptor por completo.
- Golpee el perilla percusiva sobre el suelo para hacer avanzar el hilo. El hilo avanza cada vez que se golpea sobre el suelo el retén del carrete. No mantenga el perilla sobre el suelo.

NOTA: La cuchilla de cortar el hilo montada en el deflector de pasto corta el hilo a la longitud correcta.

FUNCIONAMIENTO

NOTA: Si el hilo se gasta hasta quedar muy corto quizá no pueda avanzar el hilo tras golpear el cabezal contra el suelo. Si así fuese, **DETENGA EL MOTOR**, retire el paquete de baterías de las cabezales motores inalámbrico o desconecte la clavija del suministro de corriente para los cabezales motores eléctricos y avance manualmente el hilo.

Para avanzar manualmente el hilo de corte:

- Detenga el motor, retire el paquete de baterías de las cabezales motores inalámbrico o desconecte la clavija del suministro de corriente para los cabezales motores eléctricos.
- Empuje hacia adentro el perilla percusiva mientras tira del hilo, o hilos, según sea el caso, para avanzar manualmente el hilo.

MANTENIMIENTO

ADVERTENCIA:

Antes de inspeccionar, limpiar o dar mantenimiento a la máquina, apague el motor y desconecte la herramienta del suministro de corriente, y espere hasta que se detengan todas las piezas en movimiento. El incumplimiento de estas instrucciones puede provocar lesiones personales graves o daños materiales.

ADVERTENCIA:

Siempre póngase protección ocular con protección lateral con la marca de cumplimiento de la norma ANSI Z87.1. La inobservancia de esta advertencia puede permitir que los objetos lanzados hacia los ojos puedan provocar lesiones graves.

ADVERTENCIA:

Al dar servicio a la unidad, sólo utilice piezas de repuesto recomendado o equivalente. El empleo de piezas diferentes podría causar un peligro o dañar el producto.

AVISO:

Inspeccione periódicamente todo el producto para detectar partes dañadas, faltantes o sueltas, como tornillos, tuercas, pernos, tapas, etc. Apriete firmemente todos los sujetadores y las tapas y no accione este producto hasta que todas las partes faltantes o dañadas sean reemplazadas. Póngase en contacto con el servicio al cliente o con un centro de servicio calificado para obtener ayuda.

ADVERTENCIA:

No permita en ningún momento que fluidos para frenos, gasolina, productos a base de petróleo, aceites penetrantes, etc., lleguen a tocar las piezas de plástico. Los productos químicos pueden dañar, debilitar o destruir el plástico, lo cual podría causar lesiones serias.

REABASTECIMIENTO DEL HILO

Vea la figura 12.

Use hilo de repuesto del fabricante original para obtener el mejor desempeño.

- Detenga el motor, retire el paquete de baterías de las cabezales motores inalámbrico o desconecte la clavija del suministro de corriente para los cabezales motores eléctricos.
- Girar la perilla verde de impacto hasta que las marcas blancas coincidan.
- Utilice un trozo de línea de recortadora precortado o corte un trozo de línea de recortadora a granel de 3,05 m a 4,88 m de largo.
- Inserte el hilo en el ojal de la carcasa del cabezal de hilo. Empuje hasta que el final de la línea salga por el otro lado de la carcasa. Tire de la línea hasta que aparezcan cantidades iguales de línea en ambos lados de la carcasa.

NOTA: Es posible que la línea se atasque si carga más de 4,88 metros (16 pies).

- A mano gire el perilla percusiva hacia la derecha para enrollar el hilo en éste hasta obtener aproximadamente 152,4 mm (6 pulg.) de hilo en cada lado.

NOTA: Tire de ambos extremos de la línea con firmeza para lograr mejores resultados de carga y ayudar a evitar que la línea se enrede.

MANTENIMIENTO GENERAL

Evite el empleo de solventes al limpiar piezas de plástico. La mayoría de los plásticos son susceptibles a diferentes tipos de solventes comerciales y pueden resultar dañados. Utilice paños limpios para eliminar la suciedad, el polvo, el aceite, la grasa, etc.

MANTENIMIENTO

ELIMINAR ATASCAMIENTO DEL HILO Y/O REEMPLAZAR LA PERILLA PERCUSIVA DEL CABEZAL

Vea las figuras 13 y 14.

- Detenga el motor, retire el paquete de baterías de las cabezales motores inalámbrico o desconecte la clavija del suministro de corriente para los cabezales motores eléctricos.
- Retire la carcasa del cabezal de corte con avance por golpe pellizcando las lengüetas.
NOTA: La carcasa tiene un resorte y saldrá expulsada automáticamente cuando se desbloquee. No es necesario retirar la carcasa del cabezal de hilo superior de la barra de transmisión.
- Tire del carrete de la carcasa del cabezal de la cuerda y retire la cuerda del carrete.
- Si reemplaza la perilla de impacto, retire los dos tornillos que sostienen la perilla de impacto en el retenedor del carrete con un destornillador Phillips (no incluido).
- Instale la nueva perilla de impacto alineando el poste central con la ranura del retenedor del carrete.
- Alinee los agujeros e inserte un tornillo. Ajuste ligeramente con un destornillador Phillips (no incluido).

- Inserte el segundo tornillo y ajuste ambos tornillos firmemente.
- Si no va a reemplazar la perilla de impacto, omita los pasos anteriores.
- Al reinstalar el carrete, hay postes que deben alinearse con el retenedor del carrete.
- Empuje la carcasa hasta que las lengüetas encajen en su lugar y la carcasa de avance por golpe esté asegurada.
- Coloque el hilo como se describe en la sección **Reabastecimiento del hilo**.

ALMACENAMIENTO DEL ACCESORIO

- Almacene el accesorio en un espacio bien ventilado que sea inaccesible para los niños.
- Evite que la unidad entre en contacto con agentes corrosivos como las sustancias químicas para el jardín y las sales para derretir el hielo.

PIEZAS DE REPUESTO

Línea de repuesto:

Espiral de 2,14 mm (0,095 pulg.) (a granel) AC0095BL
Cuchillas de repuesto para mayales AC053N1FB
Segmentos de línea fija (precortados) AC053N1FL
Reemplazo de la perilla de impacto A54BK01
Disponibles en homedepot.com

CORRECCIÓN DE PROBLEMAS

PROBLEMA	CAUSA POSIBLE	SOLUCIÓN
No avanza el hilo	El hilo se pegó a sí mismo.	Lubrique con rociador de silicón.
	No hay suficiente hilo en el carrete.	Instale más hilo. Vea la sección Reemplazo del hilo arriba en este manual.
	El hilo se desgastó hasta quedar muy corto.	Tire de los hilos a la vez que alternadamente presiona y suelta la perilla percusiva.
	El hilo está enredado en el carrete.	Retire el hilo del carrete y vuelva a enrollarlo. Vea la sección Reemplazo del hilo arriba en este manual.
El césped se enrolla alrededor del alojamiento del eje y del cabezal del hilo	Se está cortando la hierba alta a nivel del suelo.	Corte la hierba alta desde la parte superior hacia abajo.
El deflector de hierba es difícil de ajustar	Los residuos adheridos al deflector de hierba están provocando una obstrucción.	Raspe los restos del deflector de hierba con cuidado de no dañarlo. Mantenga las manos alejadas de la cuchilla de corte.



LLÁMENOS PRIMERO

¡Si tiene preguntas sobre el funcionamiento o el mantenimiento este producto, llame al teléfono de atención al consumidor de RYOBI!

La recortadora ha sido probada enteramente antes de embarcarse para asegurar la satisfacción del consumidor.

Este producto tiene una garantía limitada de cinco años para fines personales, familiares o domésticos (90 días para usos trabajo o comercial). Para obtener detalles sobre la garantía, diríjase a www.ryobitools.com o llame sin cargo al 1-800-525-2579.



EXPAND-IT
ATTACHMENTS

OPERATOR'S MANUAL
MANUEL D'UTILISATION / MANUAL DEL OPERADOR

**STRAIGHT SHAFT TRIMMER ATTACHMENT WITH 2-IN-1
HEAD ACCESSORY**

**ARBRE DROIT ACCESSOIRE TAILLE-BORDURES AVEC ACCESSOIRES TÊTE À
2-EN-1**

**ACCESORIO PARA RECORTAR DE EJE RECTO CON ACCESORIO DE
CABEZAL DE 2 EN 1**

RY40SS01

- **PARTS AND SERVICE:** Prior to requesting service or purchasing replacement parts, please obtain your item, manufacturing, and serial numbers from the product data plate.

ITEM NO.* _____ **MANUFACTURING NO.** _____
SERIAL NO. _____

** Model/item number on product may have additional letters at the end. These letters designate manufacturing information and should be provided when calling for service.*

HOW TO OBTAIN REPLACEMENT PARTS: Replacement parts can be purchased online at www.ryobitools.com or by calling 1-800-525-2579. Replacement parts can also be obtained at one of our service centers.

HOW TO LOCATE A SERVICE CENTER: Service centers can be located online at www.ryobitools.com or by calling 1-800-525-2579.

HOW TO OBTAIN CUSTOMER OR TECHNICAL SUPPORT: To obtain customer or technical support please contact us at 1-800-525-2579.

RYOBI is a trademark of Ryobi Limited and is used pursuant to a license granted by Ryobi Limited.

- **PIÈCES ET SERVICE :** Avant de faire la demande de service ou l'achat de pièces de remplacement, veuillez obtenir le numéro d'article, le numéro de fabrication et le numéro de série à partir de la plaque de données du produit.

NUMÉRO D'ARTICLE* _____ **NUMÉRO DE FABRICATIO**
NUMÉRO DE SÉRIE _____

** Le numéro de modèle/article sur le produit peut contenir des lettres supplémentaires à la fin. Ces lettres désignent les informations du fabricant et doivent être fournies lors d'un appel de demande de service.*

COMMENT OBTENIR LES PIÈCES DE REMPLACEMENT : Les pièces de remplacement peuvent être achetées en ligne sur le site www.ryobitools.com ou par téléphone au 1-800-525-2579. Les pièces de remplacement peuvent être obtenues à un de nos centres de service.

COMMENT TROUVER UN CENTRE DE SERVICE : Les centres de service peuvent être localisés en ligne au www.ryobitools.com ou en téléphonant au 1-800-525-2579.

COMMENT OBTENIR DE L'AIDE EN CONTACTANT LE SERVICE À LA CLIENTÈLE : Pour contacter le service à la clientèle pour une question technique ou pour tout autre renseignement, veuillez nous téléphoner au 1-800-525-2579.

RYOBI est une marque de Ryobi Limited et est utilisée en vertu d'une licence accordée par Ryobi Limited.

- **PIEZAS DE REPUESTO Y SERVICIO:** Antes de solicitar servicio técnico o comprar piezas de repuesto, obtenga su número de artículo, el número de fabricación y el número de serie de la placa de datos del producto.

NÚMERO DE ARTÍCULO* _____ **NÚMERO DE FABRICACIÓ**
NÚMERO DE SERIE _____

** El número de modelo/artículo que figura en el producto podría tener letras adicionales al final. Estas designan información de fabricación y deben suministrarse cuando llame para obtener asistencia o servicio.*

CÓMO OBTENER PIEZAS DE REPUESTO: Las piezas de repuesto se pueden comprar en nuestro sitio en la red mundial, en la dirección www.ryobitools.com o llamando al 1-800-525-2579. Las piezas de repuesto también se pueden obtener en uno de nuestros centros de servicio.

CÓMO LOCALIZAR UN CENTRO DE SERVICIO: Puede encontrar los centros de servicio visitando nuestro sitio en la red mundial, en la dirección www.ryobitools.com or by calling 1-800-525-2579.

CÓMO OBTENER SERVICIO O ASISTENCIA TÉCNICA AL CONSUMIDOR: Para obtener servicio o asistencia técnica al consumidor, sírvase comunicarse con nosotros llamando al 1-800-525-2579.

RYOBI es una marca de Ryobi Limited y se utiliza conforme a una licencia otorgada por Ryobi Limited.

TTI OUTDOOR POWER EQUIPMENT, INC.

999000541
5-9-25 (REV:01)

P.O. Box 1288, Anderson, SC 29622, USA
1-800-525-2579 • www.ryobitools.com