

 Sandberg®

Face-ID Webcam 1080p

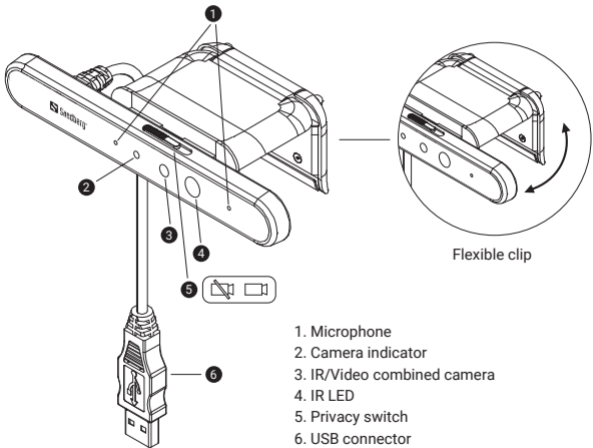
Quick guide

134-36



www.sandberg.world

Overview



Connection



Mounting



On a Desk

OR



On a PC Monitor

Setting Up Windows Hello function

- 1) Open "Settings" and click on "Accounts", then "Sign-in options".



- 2) Set up a PIN code.



- 3) You will now see which options are available. Face option and set up.



- 4) Click on "Get started".



- 5) Position yourself in the center, and the camera will register your face.



- 6) Optional you can improve recognition if for example you wear glasses.



The camera works driver-less and is compatible with most chat-applications.

*If you want to get further options for video-effects and image adjustments, please follow this link: **www.sandberg.world/webcamguide***



Support

<http://helpdesk.sandberg.world>

Warranty

There is a five-year warranty on your Sandberg product. Please read the warranty terms and register your new Sandberg product at www.sandberg.world/warranty

5
Years
Warranty

For information on handling electronic waste, see www.sandberg.world/weee

