

Installation Instructions

SARGENT®

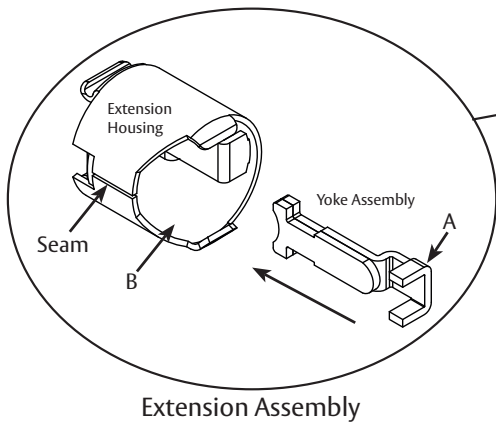
ASSA ABLOY

Latch Extension Assembly For 3-3/4" and 5" Backsets

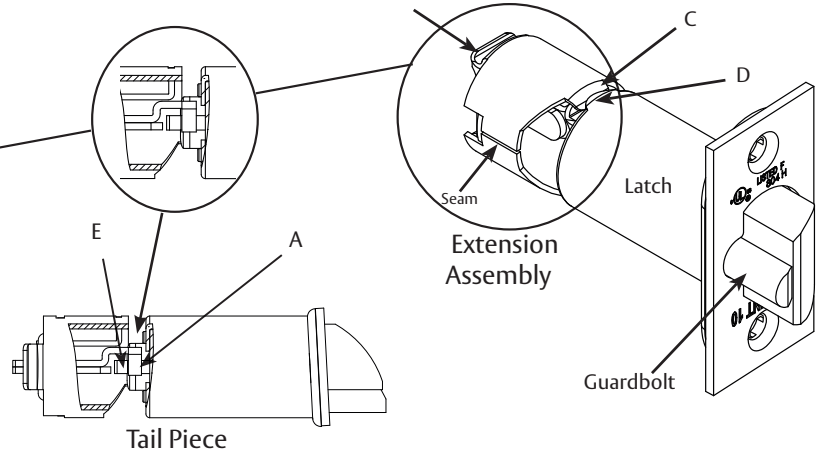
10 Line and 10X Line Bored Locks

For proper installation, it is very important to assemble the latch extension on the latch in the position shown.

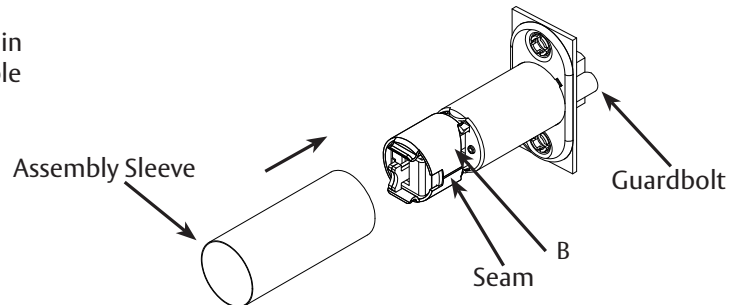
1. Insert yoke assembly into extension housing so that the yoke fork "A" faces the seam and cutaway "B" as shown. This orientation is critical for proper operation. This completes the extension assembly.



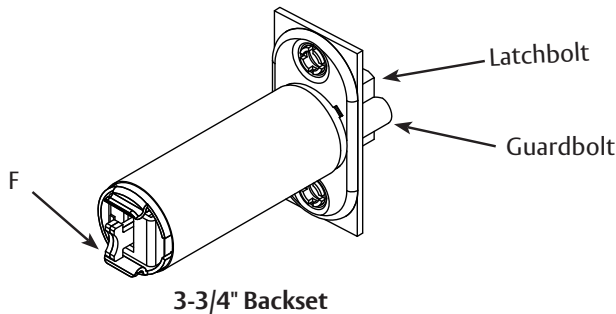
2. Assemble extension assembly to latch. Ensure extension ears "C" engage with latch ears "D", and simultaneously the yoke fork "A" engages latch tail "E".



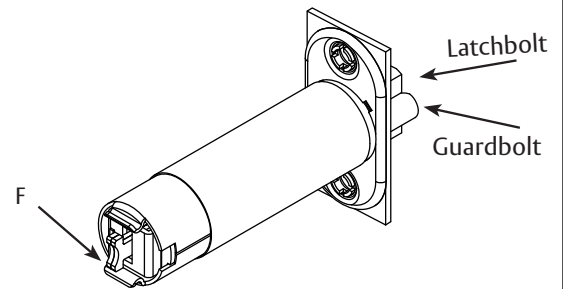
3. After assembly, the seam and cutaway "B" need to be in the same side as deadlocking guardbolt. Then assemble sleeve to hold both latch and latch extension.



4. Test the deadlocking of the latch: Press and hold guardbolt. Latchbolt must block, if pressed. Test the retraction of the latch by pressing the latchbolt and pulling on tailpiece "F".



3-3/4" Backset



5" Backset

⚠ WARNING

This product can expose you to lead which is known to the state of California to cause cancer and birth defects or other reproductive harm. For more information go to www.P65warnings.ca.gov.

A8295C 03/23

1-800-727-5477 • www.sargentlock.com

Copyright © 2021, 2023 SARGENT Manufacturing Company. All rights reserved. Reproduction in whole or in part without the express written permission of SARGENT Manufacturing Company is prohibited.

Experience a safer
and more open world