

FLAMINIA



ENG	INSTALLATION INSTRUCTIONS	ITA	ISTRUZIONI DI INSTALLAZIONE	NLD	INSTALLATIE INSTRUCTIES	DAN	INSTALLATIONSVEJLEDNING	HUN	TELEPÍTÉSI ÚTMUTATÓ
DEU	INSTALLATIONSANLEITUNG	POL	INSTRUKCJE MONTAŻU	RUS	Инструкции по установке	RON	INSTRUCȚIUNI DE INSTALARE	CHI	安装说明
FRA	INSTRUCTIONS DE MONTAGE	SPA	INSTRUCCIONES DE INSTALACIÓN	POR	INSTRUÇÕES DE INSTALAÇÃO	SWE	INSTALLATIONSANVISNING	UKR	Інструкції з монтажу
SRP	UPUTSTVA ZA INSTALACIJU	AR	تعليمات التركيب						



IP
65

IK
06

Control gear must be SELV/PELV!
 $U_{out\ max}=120V$

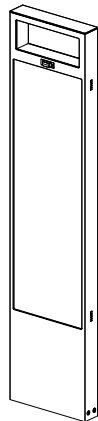


12-24VDC

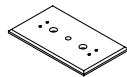


ALL THE TIGHTENING TORQUES VALUES ARE GIVEN FOR ASSEMBLIES WITHOUT THE ADDITION OF A GREASE DECREASING FRICTION.

PARTS LIST



1x



1x



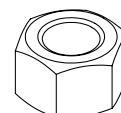
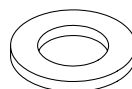
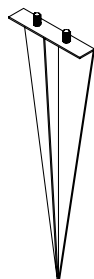
2x



4x

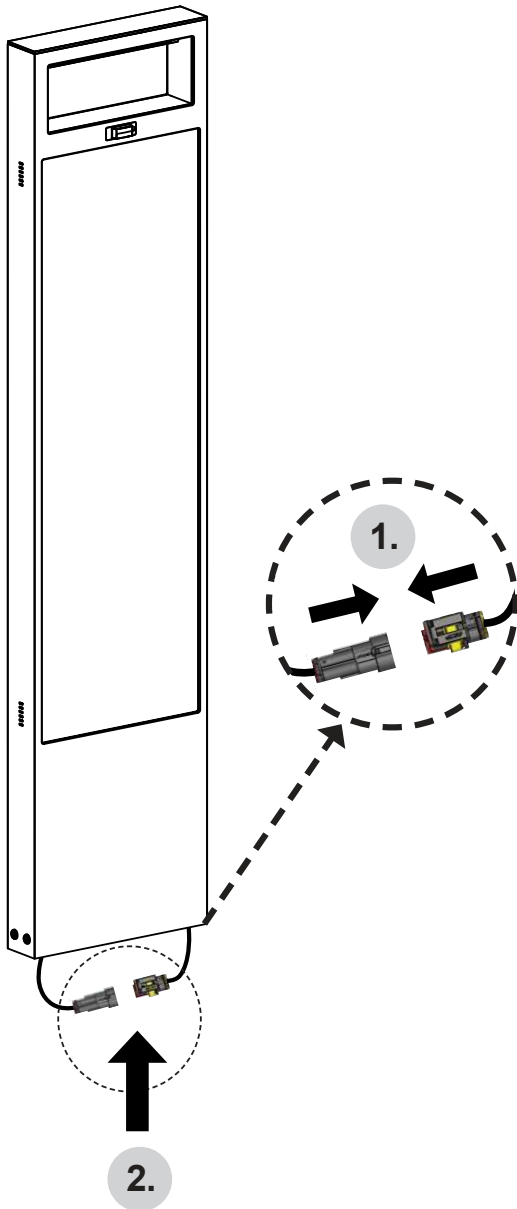


4x

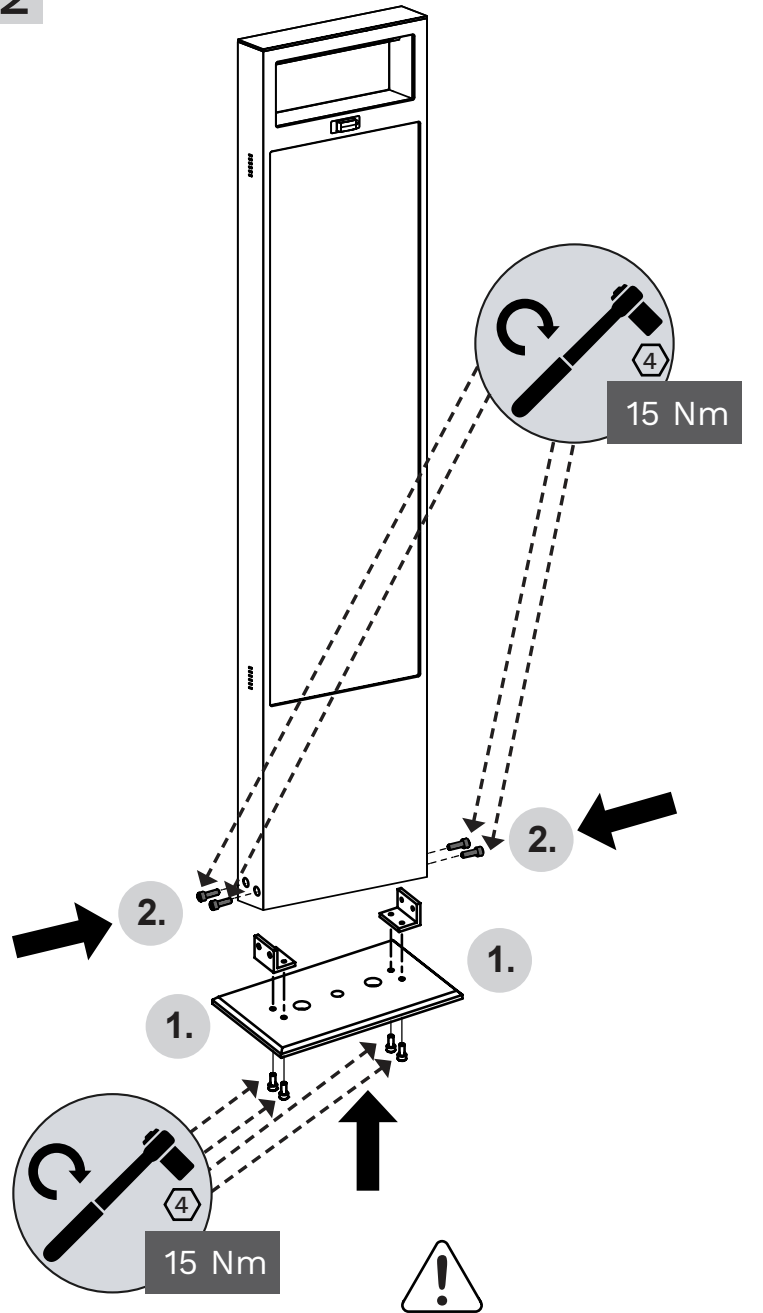


INSTALLATION STEPS

1



2

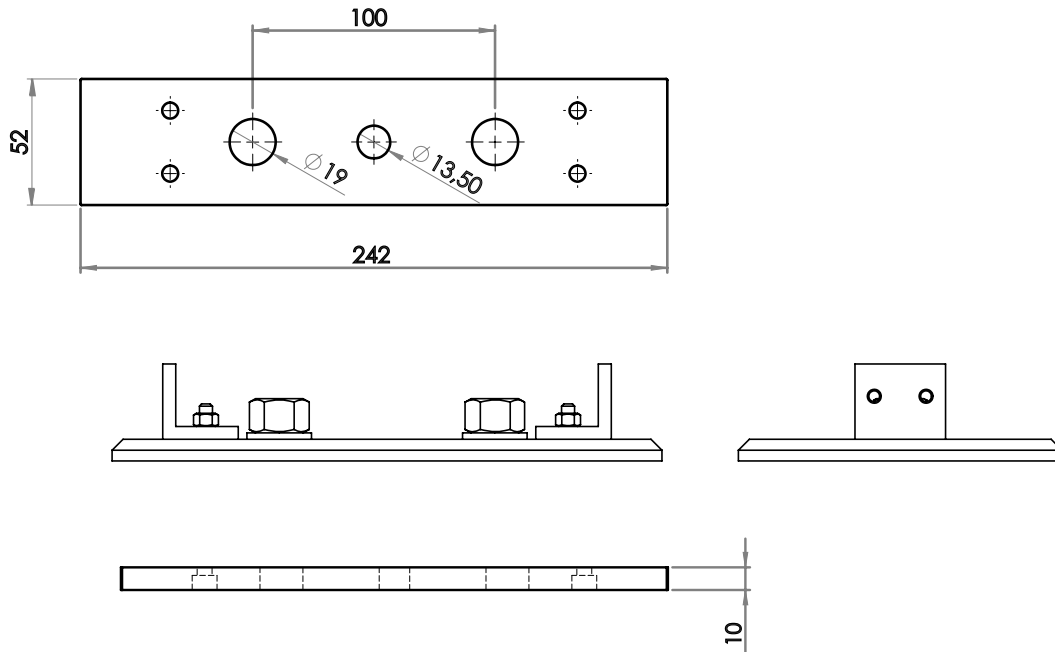


Pay attention to use the correct screw for installation.

MOUNTING OPTION 1 - CONCRETE FOUNDATION

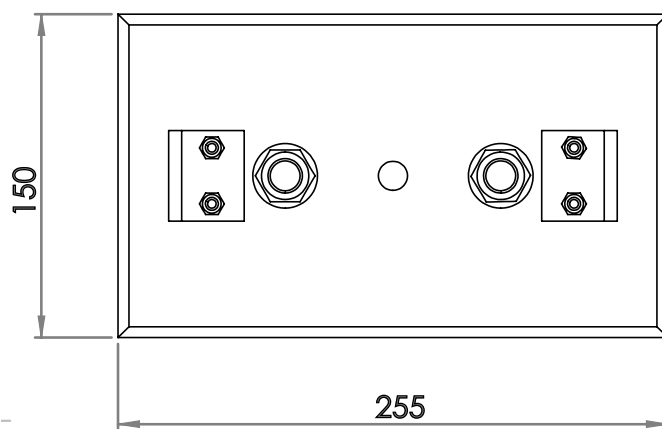
AS

Anchor Base Small



AL

Anchor Base Large



MOUNTING OPTION 2 - MOUNTING WEDGE

