

# SCORPION 10X PRO

Rugged Android Tablet Device



**BRESSNER Technology GmbH**

Industriestrasse 51

82194 Grobenzell

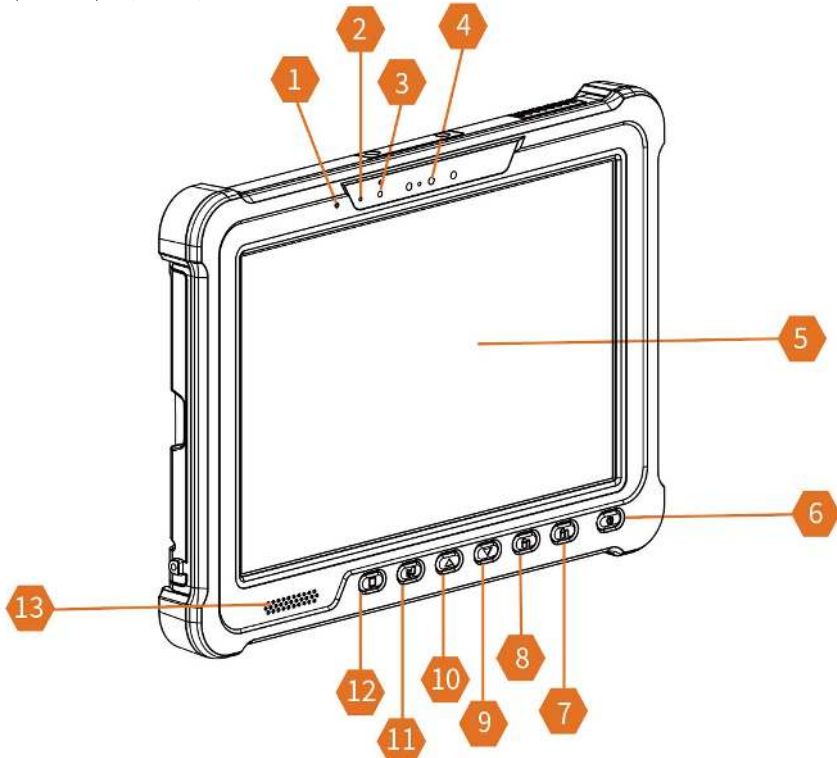
Phone: +49 (0) 8142 47284-76

E-Mail: [scorpion@bressner.de](mailto:scorpion@bressner.de)

# OVERVIEW

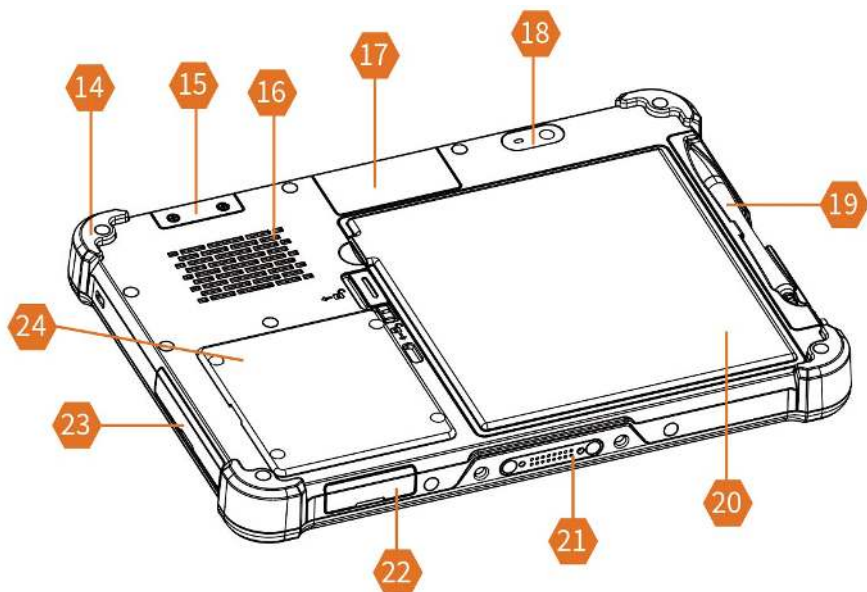
## Package content:

- 1 x SCORPION 10X PRO
- 1 x power adapter (19V/45W)



1. Mic
2. LED indicator
3. Light sensor
4. 2MP IR camera (support Windows hello)
5. Touch Screen
6. Power on/off button
7. Programmable Button (2D Scanner)
8. Programmable Button
9. Volume down
10. Volume up
11. Touch modus switch
12. Home
13. Speaker

# OVERVIEW



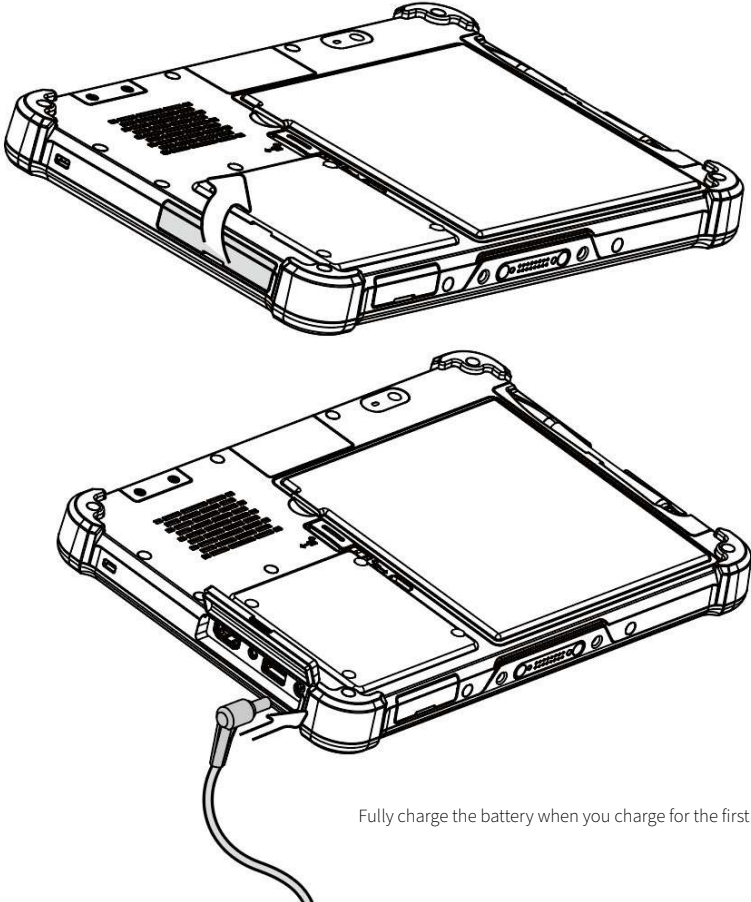
- 14. Bumper protector
- 15. Fan cover
- 16. Ventilation
- 17. Dummy cover of peripheral kits
- 18. 8MP rear camera
- 19. Stylus
- 20. Battery box
- 21. Docking connector
- 22. Access cover for MicroSD, and expansion GPS antenna
- 23. Access cover for HDMI, audio jack, USB 3.0 and charging connector
- 24. Service door (access to Nano SIM, SSD card, WIFI card, and LTE card)

# CHARGING

## 1. Power-on/power-off

When the tablet is shipped from the factory, the battery pack is in shipping mode for reducing battery consumption during shipment. You must take the battery pack out of shipping mode before the battery pack can be charged and used.

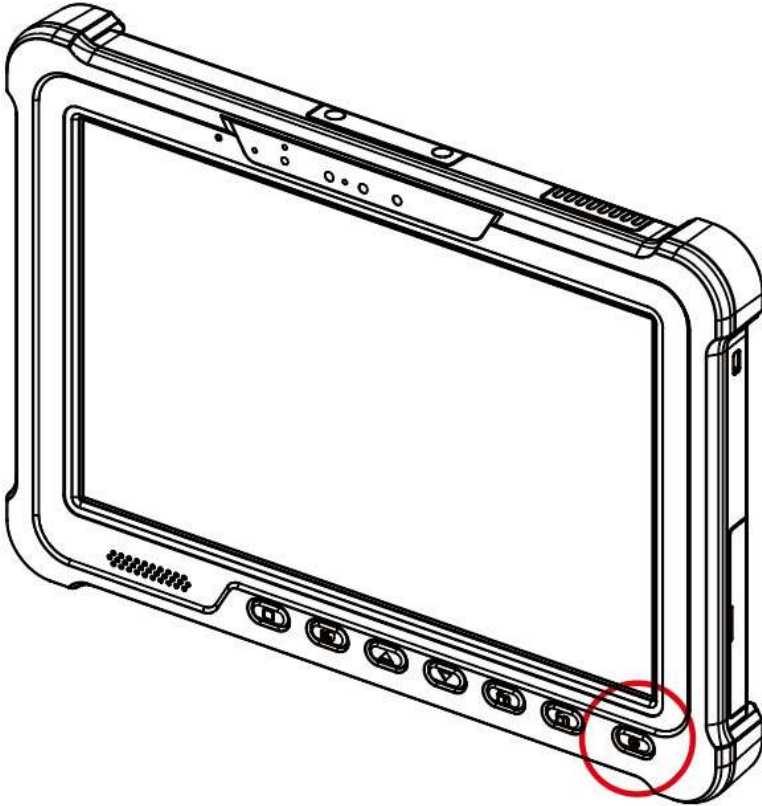
To release the battery from shipping mode, please follow the steps:



Fully charge the battery when you charge for the first time!

Pry open the rubber cover protecting the charging port and plug in the charging cable supplied with the tablet.

# CHARGING



Press the power button for 1 second to turn on the system. The battery is released from shipping mode after powering on the tablet. If you want to power off the tablet, long press the power button for 4 seconds.

**Note:** For the best touch performance, remove the protective plastic overlay from the LCD screen by peeling it away from one of the corners. Be sure to use a soft pointing device or finger tip to avoid scratching the screen during normal use.

# BATTERY

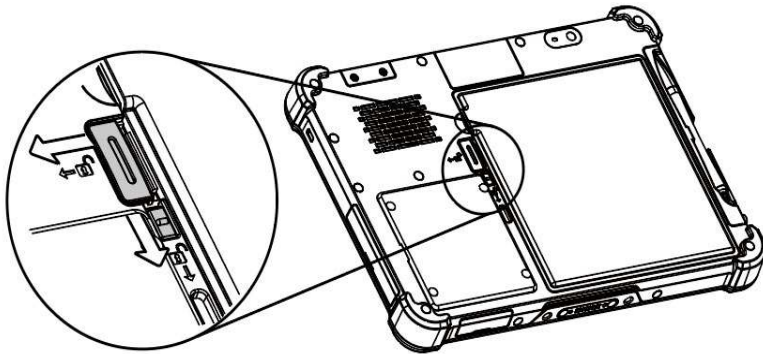
## 2. Replacing the battery

You can replace the battery either when the tablet is turned off or when the tablet is still running on battery power. Changing a tablet battery without powering off the tablet is called “hot swapping”.

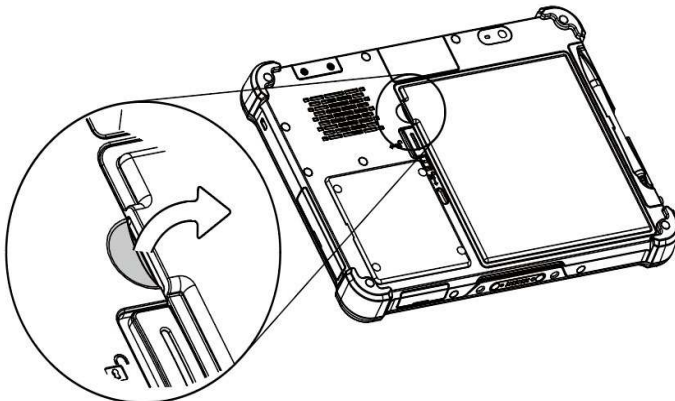
To hot swap the battery, please follow the steps:

- Press the “Home” button of the tablet for two seconds to enter hot swapping mode, the display will get dimmer.
- The LED indicator starts to blink and you will hear the beeping sound. This is the time to replace the battery. You have four minutes to hot swap the battery.

**NOTE:** The system will remind you after three minutes by rapid beeping sound. If you do not insert the charged battery within four minutes, the tablet will turn off automatically.

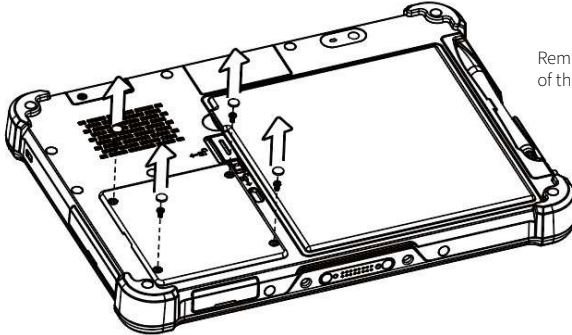


Place the tablet face down on a flat surface. Next, slide the small latch down first then slide the big latch left as shown to unlock the battery cover.



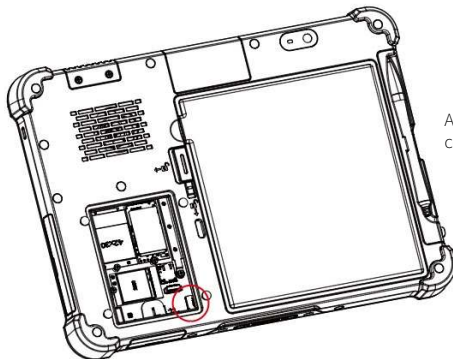
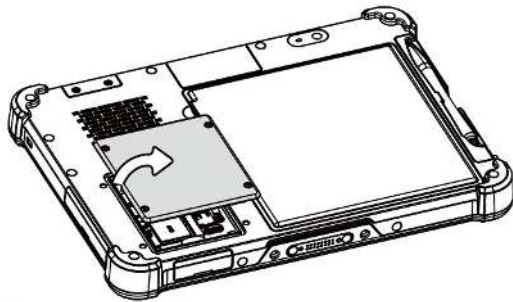
Place a coin or your fingernails at the battery cover notch and gently lift the battery box to release it from the tablet.

## 2. Replacing the battery



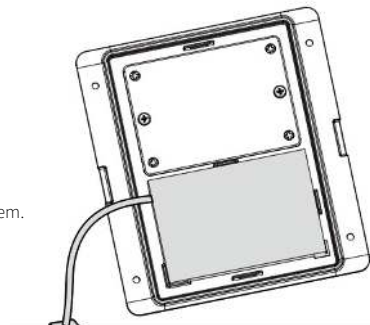
Remove the screws (x4) and rubber pads (x4) of the service door.

Gently lift the service door.



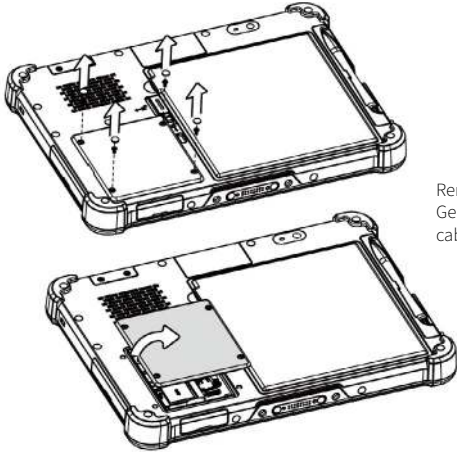
A swap battery is attached to the service door. Disconnect the connector from the motherboard as the picture shown.

Fully release the service door from the system.



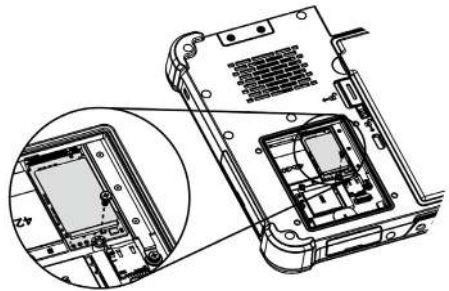
# SIM CARD

## 4. Installing SIM Card

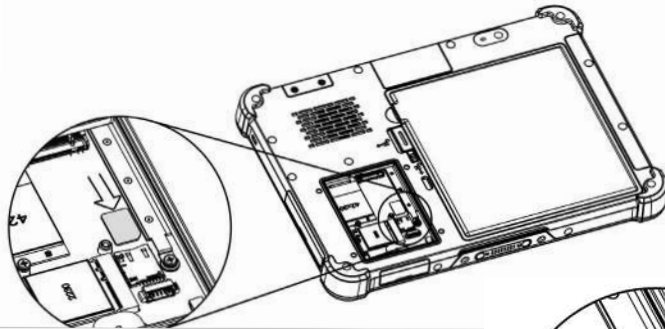


Remove the screws (x4) and rubber pads (x4) of the service door. Gently lift the service door and be careful not to pull off the cables connecting to the motherboard.

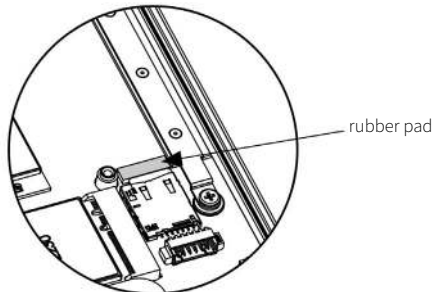
To install the SIM card, you need to remove the SSD card first by removing the screw (x1).



With the SIM card's gold contacts facing down and its cut-off corner facing in, insert the SIM card all the way into the SIM card slot. Then push the SIM card in until it clicks into place.

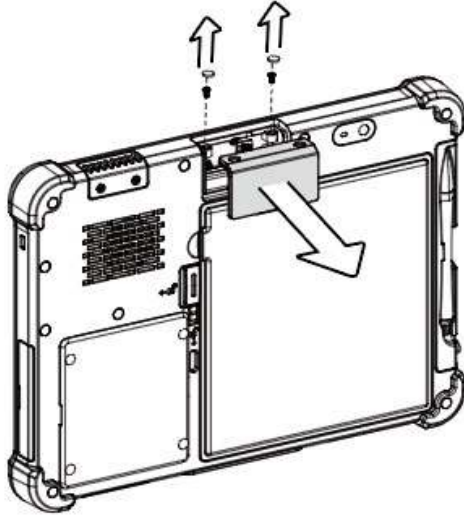


Attach the rubber pad on the rear of the SIM card to ensure that the SIM card fits securely into the slot.

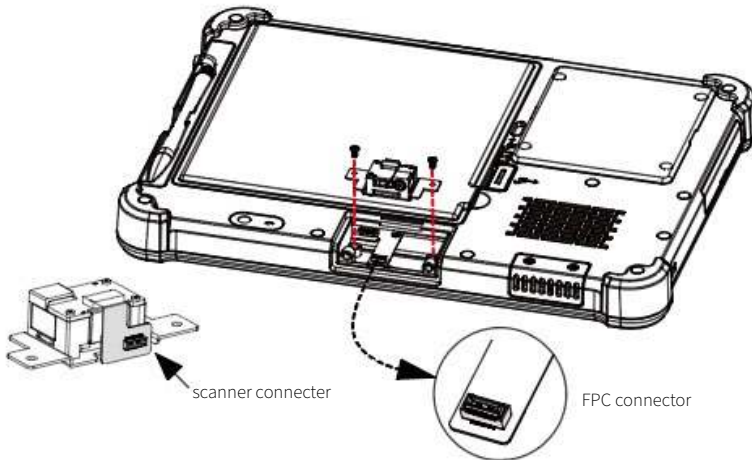


## 5. Installing peripheral kits

You can expand the capabilities of tablet by connecting the peripheral devices: 2D scanner kit, Long distance 2D scanner kit, COM kit, LAN kit, and USB kit.

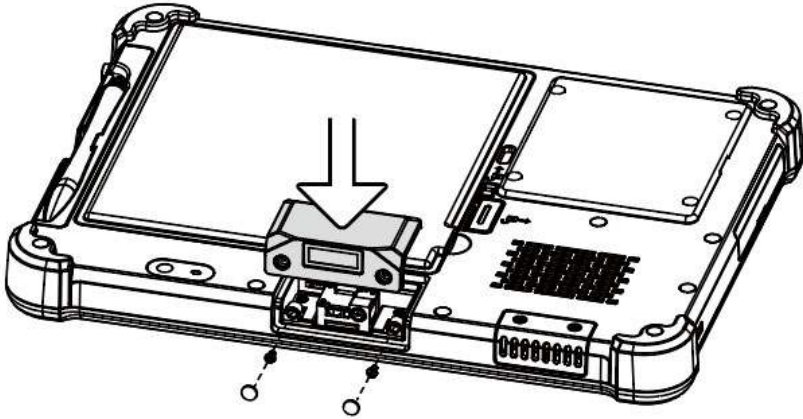


To install the 2D scanner kit, remove the screws (x2) and rubber pads (x2) to release the dummy cover first.



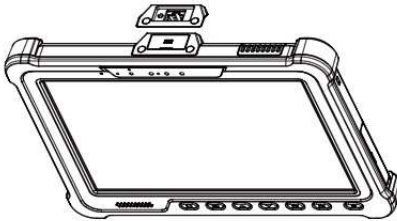
Connect the 2D scanner module to the FPC connector on the tablet, then attach the module in place and fasten the screws (x2) to secure it.

# PERIPHERAL KITS

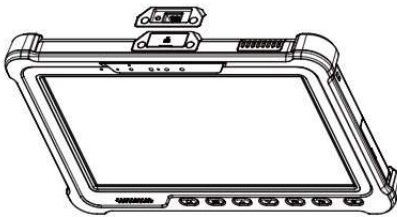


Attach the 2D scanner cover and fasten the screws (x2). Last, put on the rubber pads (x2).

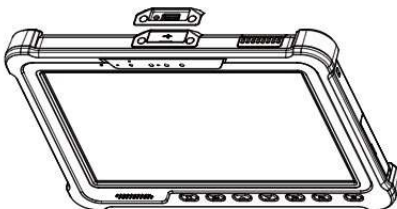
COM kit



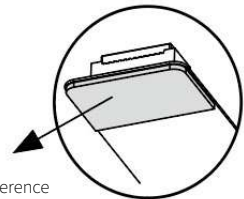
LAN kit



USB kit



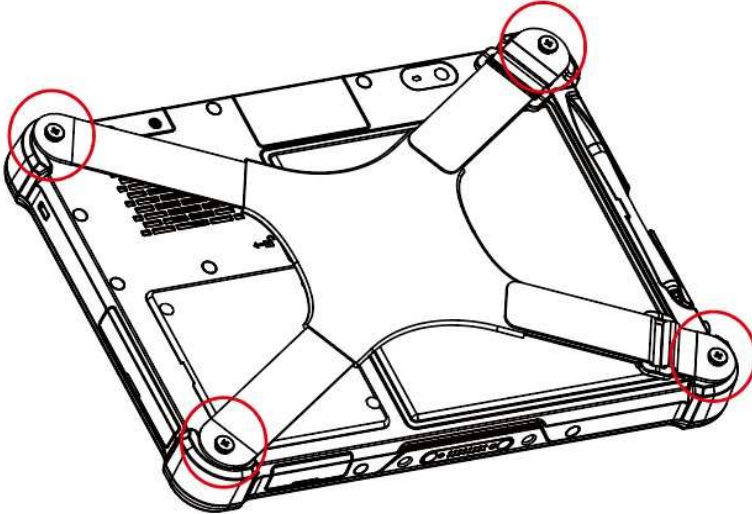
COM, LAN, and USB kits installation steps are the same as 2D scanner kit, but the slight difference is you need to place a foam tape pad under the FPC connector on the tablet before connecting the kits. This will ensure the kits can be easily connected to the FPC connector.



Adjust the height difference between different kits by placing a foam tape pad here.

## 6. Attaching hand strap

Align and attach the hand strap to the back side of the tablet and fasten the screws (x4) to secure it.



## 7. LED Indicator

Battery level is indicated by the LED indicator on the front of the tablet.

**GREEN:** Battery fully charged (Tablet is plugged in or placed in dock)

**ORANGE:** Battery charging (Tablet is plugged in or placed in dock)

**RED/Flashing:** Low Battery

**RED:** Battery nearly empty

# SAFETY / DISPOSAL

## Safety information

### Battery Caution!

Risk of explosion if battery is replaced by an incorrect type. Dispose of used battery according to the local disposal instructions.

### Safety!

Regulatory Information Caution: Only use approved and UL listed accessories, battery packs and battery chargers. Do NOT attempt to charge damp/wet mobile computers or batteries. All components must be dry before connecting to an external power source.

### Warning for Use of Wireless Devices!

Please observe all warning notices with regard to the usage of wireless devices.

This equipment must be earthed. The power plug must be connected to a properly wired earth ground socket outlet. An improperly wired socket outlet could place hazardous voltages on accessible metal parts.



**High sound pressure**

**Hearing damage risk**

**Do not listen at high volume levels for long periods.**

## Waste Electrical and Electronic Equipment (WEEE)

English: For EU Customers: All products at the end of their life must be returned to the reseller for recycling.



## Long distance 2D scanner information

Beam divergence: laser aimer pattern (see below figures 1 & 2)

Pulse duration: Max. 16.8ms

Repetition rate: Max. 16.8ms

Maximum power or energy output: Max. laser power 1mW

