

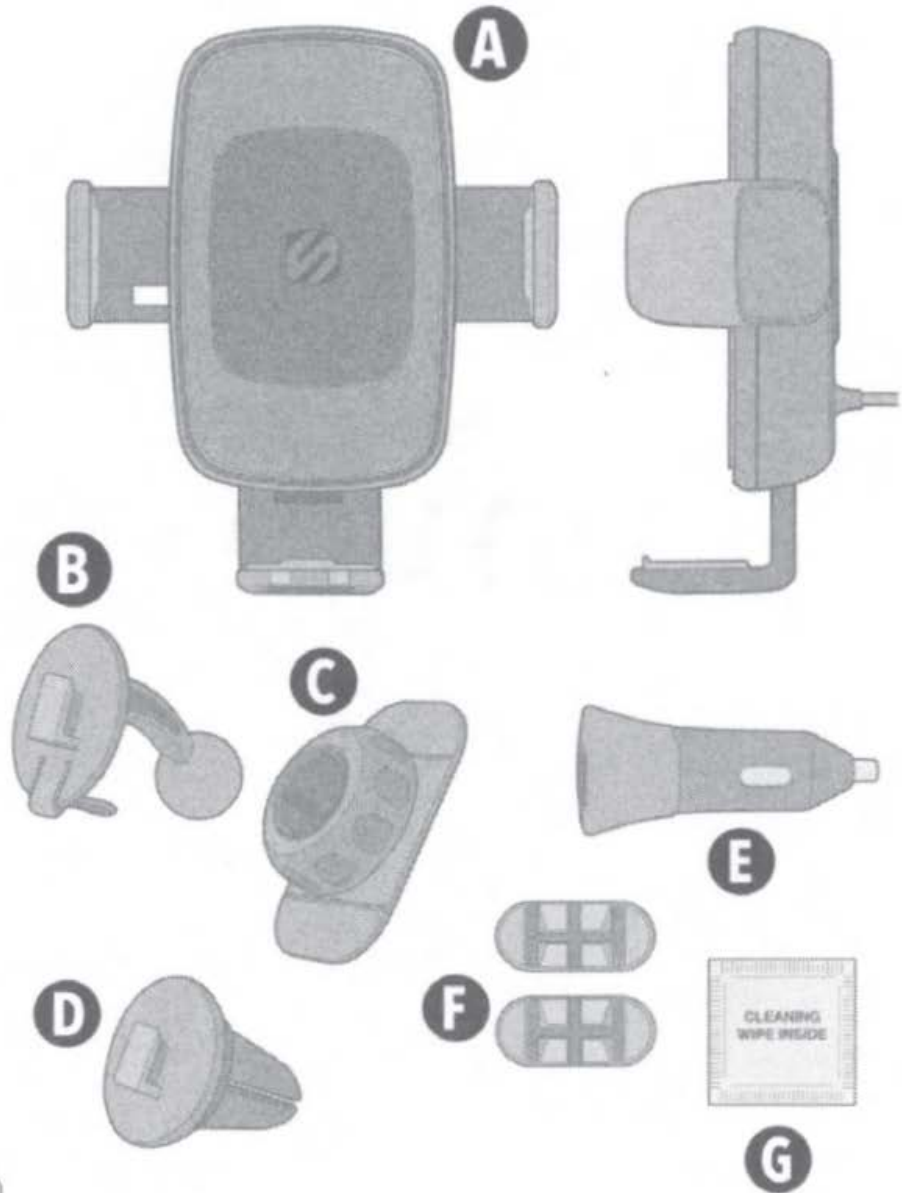
 **SCOSCHE**

STUCKUP VENT/DASH

(EN)

INCLUDED ELEMENTS

- A.** Universal Wireless Charging Mount
- B.** T-Notch/Ball Adapter
- C.** Dash Mount
- D.** Vent Mount
- E.** Car Adapter
- F.** Cable Routing Clips (2)
- G.** Cleaning Wipe



English 2-10

DEVICE SETUP

(EN)

SECTION **A** - Universal Charging Phone Mount Overview

SECTION **B** - Dash Mount Assembly & Installation

SECTION **C** - Vent Mount Assembly & Installation

SECTION **D** - Mount Adjustment

SECTION **E** - Connection & Charging

(EN)

SECTION A

Universal Wireless
Charging Phone Mount

A. Side Support Arms

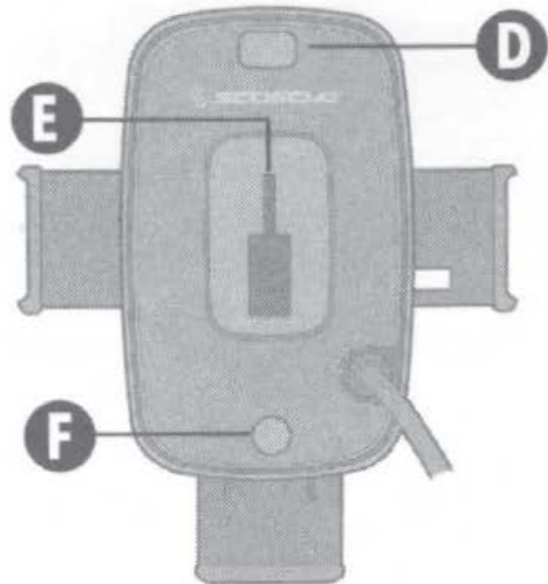
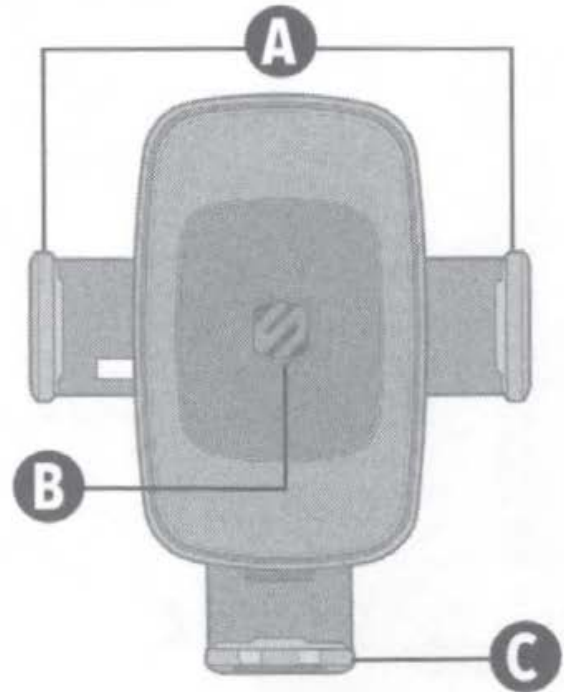
B. Wireless Charging Area

C. Bottom Support

D. Side Support Release Button

E. T-Notch Opening

F. Bottom Support Release Button



SECTION B

(EN)

Dash Mount

Assembly

1. Remove collar from ball-joint socket.
2. Place collar over ball end of t-notch/ball adapter, then place ball end in socket.
3. Tighten collar onto socket.
4. Place t-notch hitch in opening.
5. Slide up to lock in place.

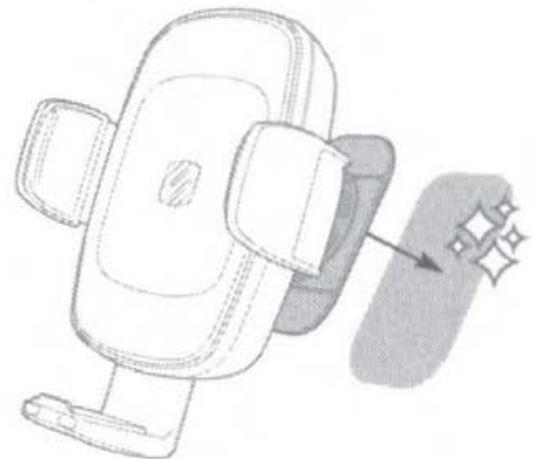
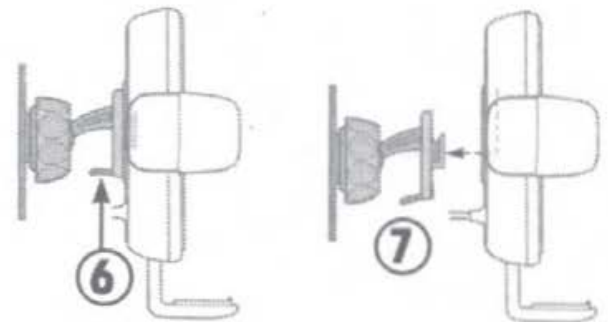
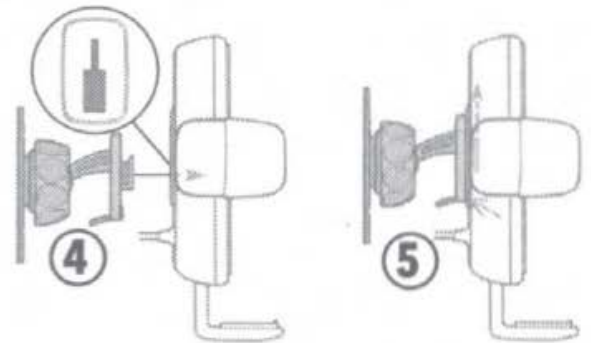
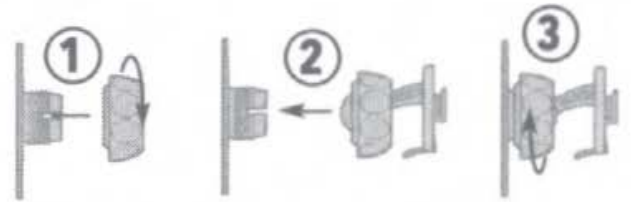
Removal

6. Press lever to release t-notch.
7. Slide down to remove.

Installation

Clean the mounting surface using supplied wipe*. Remove backing from adhesive base, place mount in position and press firmly.

*Supplied cleaning wipe may cause discoloration of certain plastics, vinyls and painted surfaces. It is recommended to test in an inconspicuous area first.



(EN)

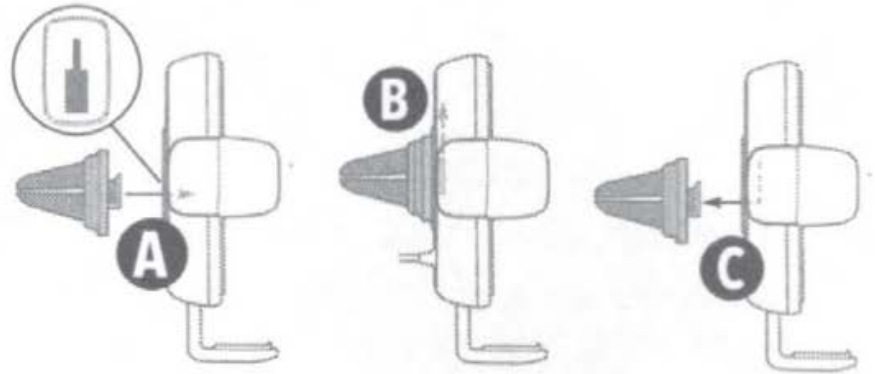
SECTION C

Vent Mount

Assembly

Insert t-notch hitch on vent mount into opening on back of mount head (A), and slide upward (B).

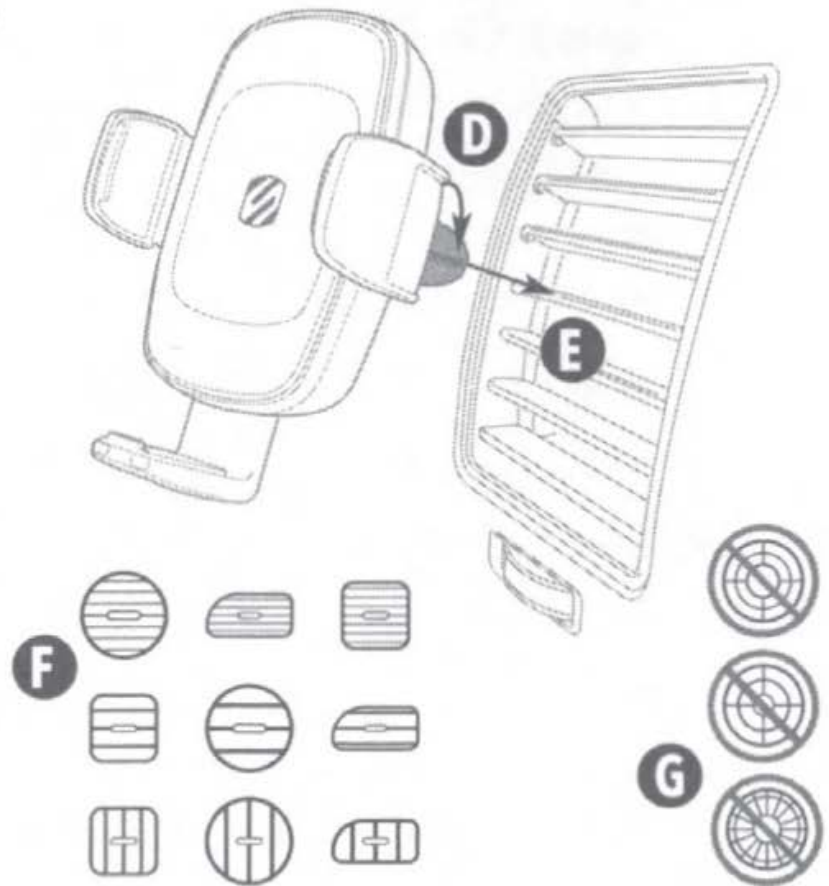
Slide vent mount down to remove (C).



Installation

Rotate vent clips on mount (D) to align with vent (E).

Note: Works with many vent designs (F). Not compatible with curved or circular vents (G).



SECTION D

(EN)

Press the side & bottom support release buttons **(A & B)** to fully open the Universal Mount.

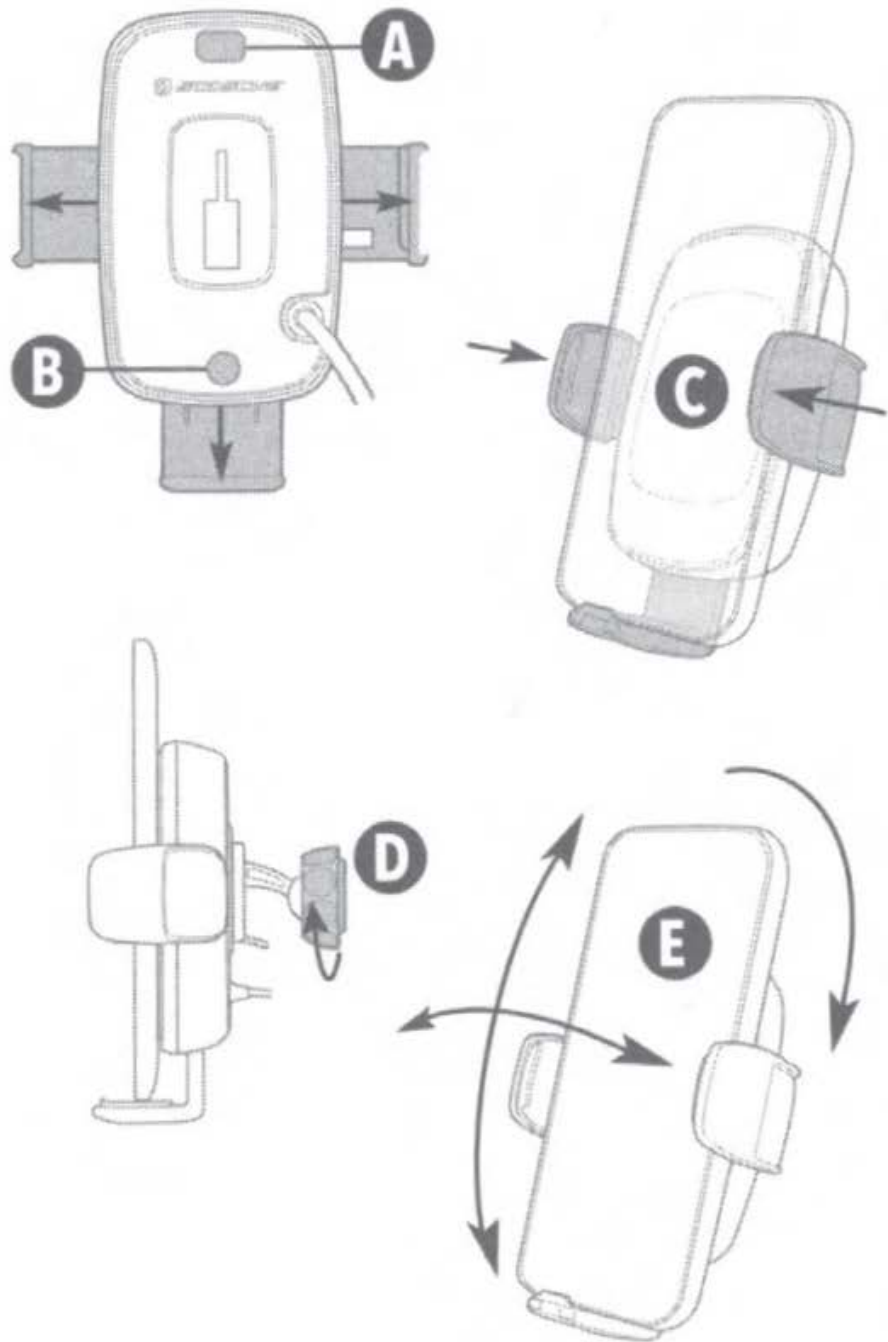
Place the device in the mount and manually press the side supports inward to secure the device **(C)**.

Note: The bottom support may also be adjusted manually to raise the device in the mount, if needed.

Press the side support release button to remove the device.

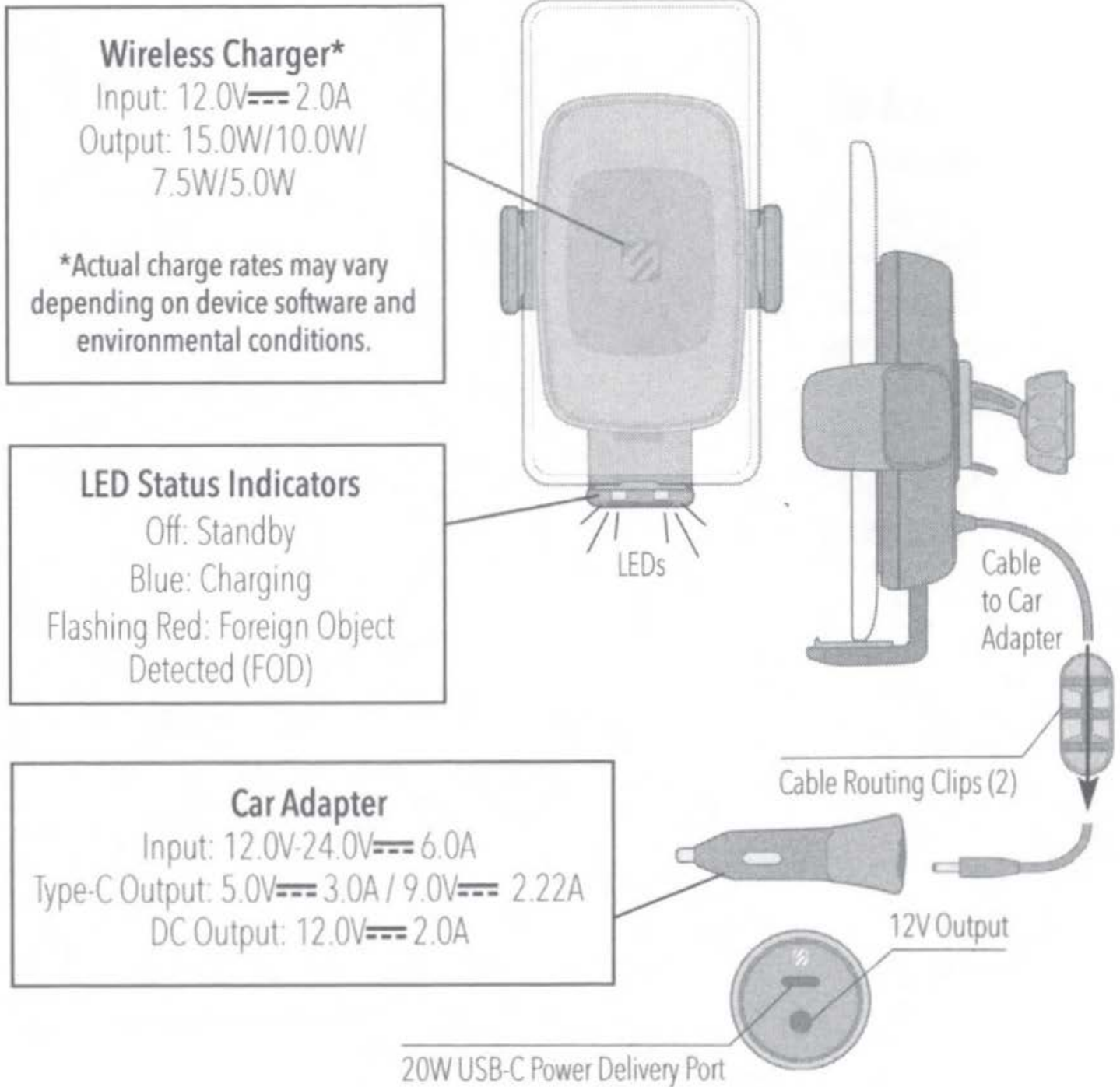
Loosen the ball-joint collar on the Dash Mount **(D)** to adjust mount angle or rotate mount **(E)**.

Note: Vent mount may be rotated only.



(EN)

SECTION E



FCC Compliance Statement

This device complies with part 15 of the FCC Rules. Operation is subject to the following two conditions: (1) This device may not cause harmful interference, and (2) this device must accept any interference received, including interference that may cause undesired operation.

This equipment has been tested and found to comply with the limits for a Class B digital device, pursuant to part 15 of the FCC Rules. These limits are designed to provide reasonable protection against harmful interference in a residential installation. This equipment generates, uses and can radiate radio frequency energy and, if not installed and used in accordance with the instructions, may cause harmful interference to radio communications. However, there is no guarantee that interference will not occur in a particular installation.

If this equipment does cause harmful interference to radio or television reception, which can be determined by turning the equipment off and on, the user is encouraged to try to correct the interference by one or more of the following measures:

- Reorient or relocate the receiving antenna.
- Increase the separation between the equipment and receiver.
- Connect the equipment into an outlet on a circuit different from that to which the receiver is connected.
- Consult the dealer or an experienced radio/TV technician for help.

Canadian Compliance Statement

This device contains license-exempt transmitter(s)/receiver(s) that comply with Innovation, Science and Economic Development Canada's licence-exempt RSS(s). Operation is subject to the following two conditions: (1) this device may not cause interference and (2) this device must accept any interference, including interference that may cause undesired operation of the device.

This Class [B] digital apparatus complies with Canadian ICES-003.

CAN ICES-3 (B)/NMB-3(B)

(EN)

StuckUp Vent/Dash



Scosche Industries
1550 Pacific Avenue
Oxnard, California 93033
Phone: 800-363-4490 x1 / 805-486-4450 x1

www.scosche.com

©2022 Scosche Industries

Scosche is a trademark of Scosche Industries.
Other marks or brands are the property of their respective owners.
Devices and or appearance may vary.

Designed in Oxnard, California

SI **UQ3DV** 1/22

Please note that changes or modifications to this product not expressly approved by the party responsible for compliance could void the user's authority to operate the equipment.

This equipment complies with FCC radiation exposure limits set forth for an uncontrolled environment. This equipment shall be installed and operated with minimum distance 15cm between the radiator & body.

This equipment complies with IC exposure limits set forth for an uncontrolled environment. This equipment shall be installed and operated with minimum distance 10cm between the radiator & body.

Veuillez noter que les changements ou modifications de ce produit ne sont pas expressément approuvés par la partie responsable de la conformité pourrait annuler le droit de l'utilisateur à utiliser l'équipement.

Cet équipement est conforme aux limites d'exposition de radiation établies par la FCC pour les environnements non contrôlés. L'équipement devra être installé et opéré à une distance minimale de 15 cm entre le radiateur et le corps.

Cet équipement est conforme aux limites d'exposition « IC » établies pour les environnements non contrôlés. L'équipement devra être installé et opéré à une distance minimale de 10 cm entre le radiateur et le corps.

Tenga en cuenta que los cambios o modificaciones a este producto que no estén expresamente aprobados por la parte responsable del cumplimiento podrían anular la autoridad del usuario para operar el equipo.

Este equipo cumple con los límites de exposición a la radiación de la FCC establecidos para un entorno no controlado. Este equipo debe instalarse y operarse con una separación mínima de 15 cm entre el radiador y su cuerpo.

Este equipo cumple con los límites de exposición IC establecidos para un entorno no controlado. Este equipo debe instalarse y operarse con una separación mínima de 10 cm entre el radiador y su cuerpo.