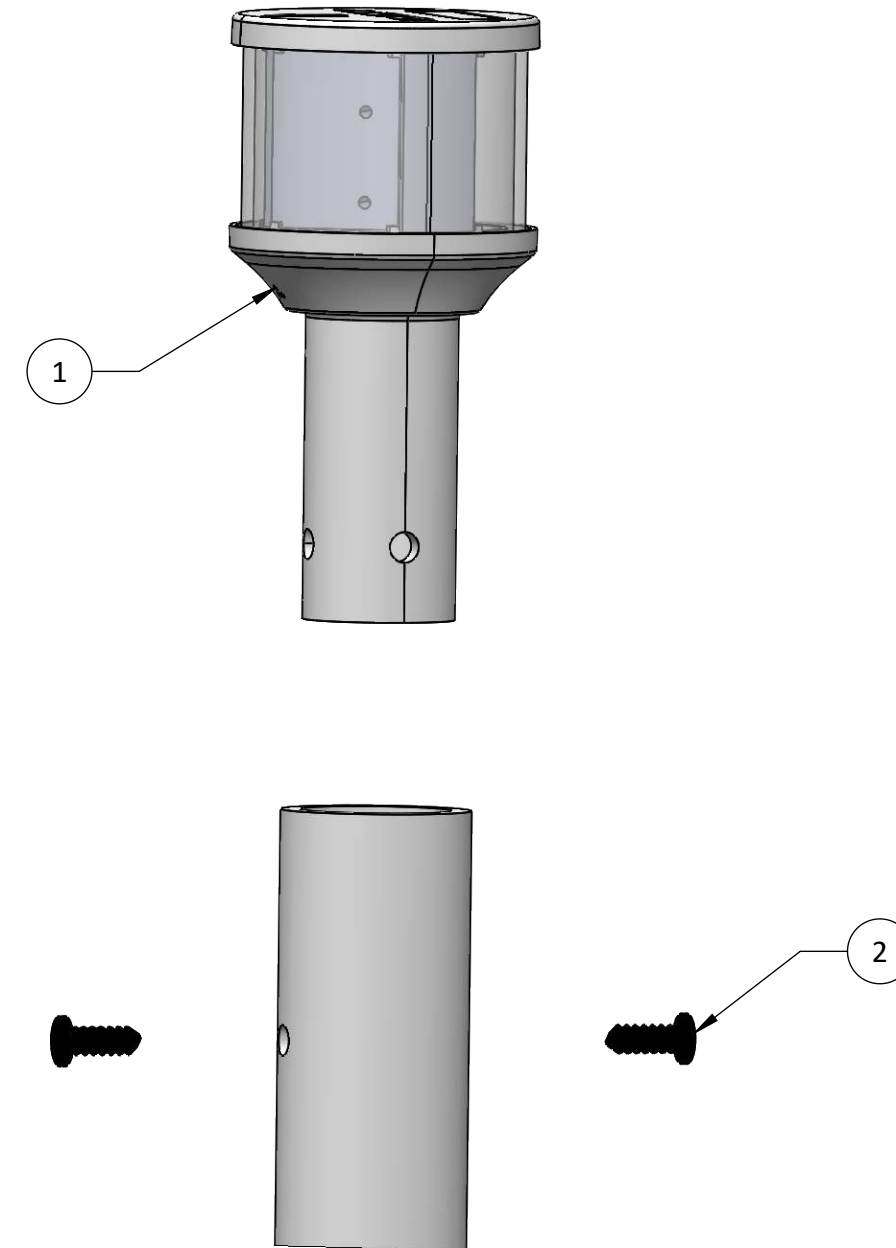


ITEM NO.	PART NUMBER	DESCRIPTION	QTY.
1	LTBLED12C5P	12V ALLROUND MAST LIGHT (LED)	1
2	LTBRVT	BLACK PUSH IN RIVETS	2

NOTES:

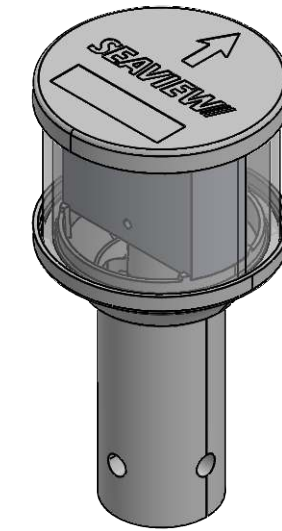
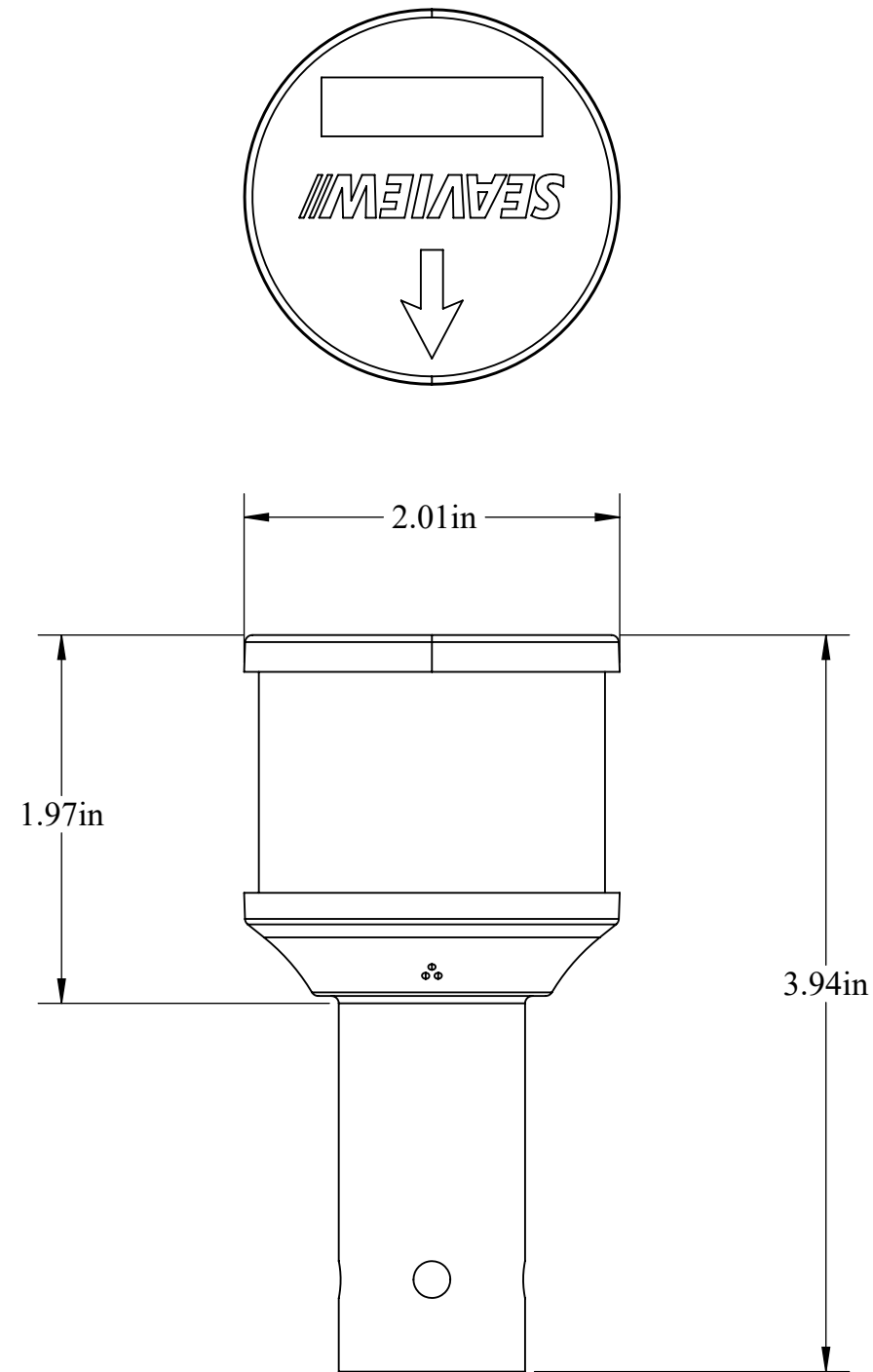
1. MARINE SEALANT IS RECOMMENDED FOR THIS INSTALLATION.
2. LIGHT BAR NOT INCLUDED.



LTBLED12C5/LTBLED12C5BLK/LTBLED24C5

For help e-mail
info@seaviewglobal.com
ph. 1-800-655-7922

NOTE: LTBLED12C5 AND LTBLED24C5 ARE DIMENSIONALLY IDENTICAL



LTBLED12C5/LTBLED12C5BLK/LTBLED24C5

For help e-mail
info@seaviewglobal.com
ph. 1-800-655-7922

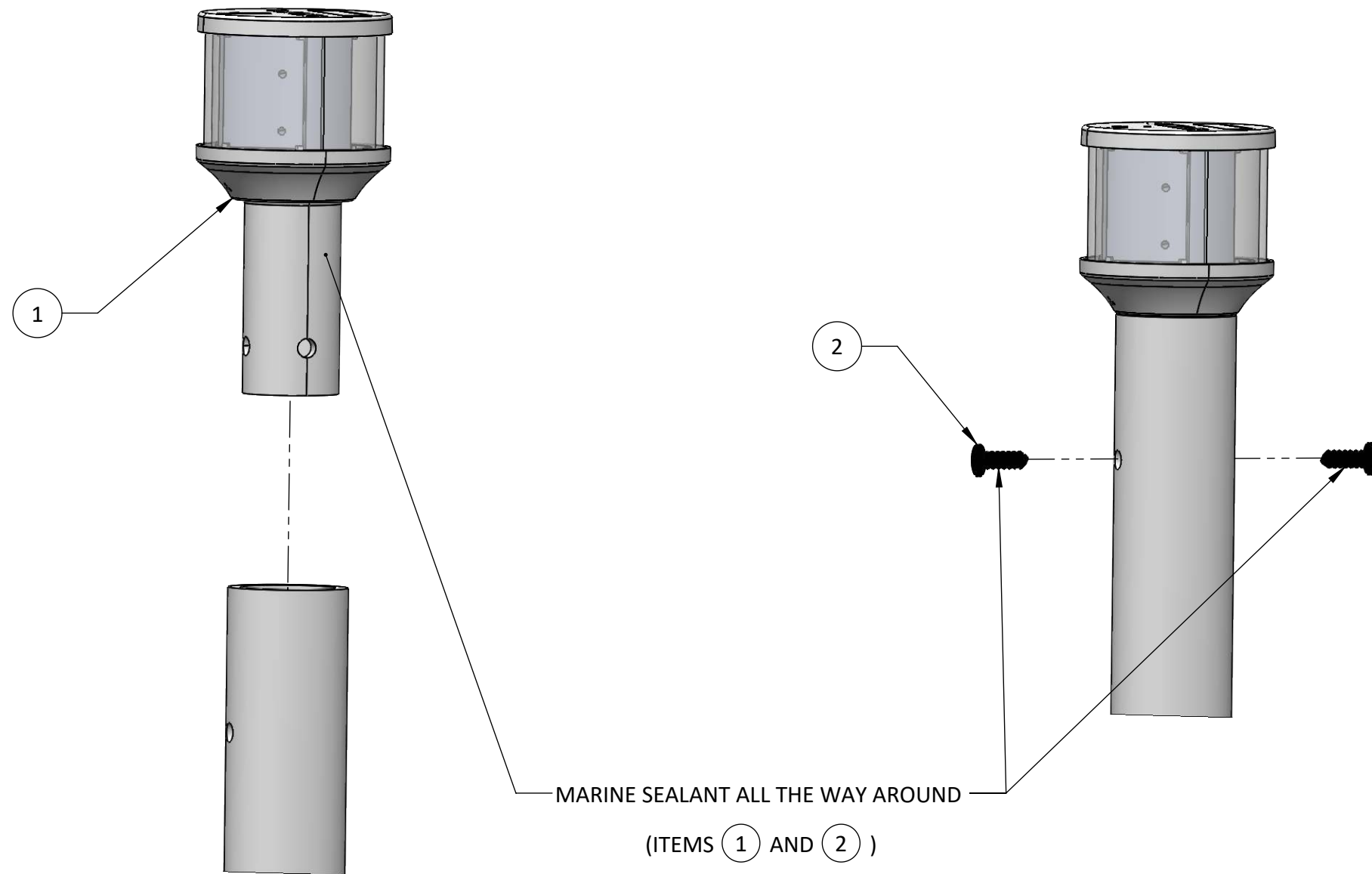
INSTALLATION INSTRUCTIONS BEGIN ON NEXT PAGE

NOTE: It is strongly advised that all installations are carried out by an authorized installer who possesses the necessary expertise and experience in marine equipment installation. Furthermore, prior to the final installation process, we recommend performing a dry fit assembly of all components. This entails fitting the components in their designated positions on the boat without permanently affixing them. This step allows for careful assessment of compatibility, alignment, and any potential adjustments that may be required before proceeding with the actual installation.

For help e-mail
info@seaviewglobal.com
ph. 1-800-655-7922

1 Route wiring through the light Bar, apply a small amount of marine sealant, and then insert light bar top (item 1) into light bar. Procedure may vary depending on which light bar top you have.

Once your Light Bar Top is in place secure it with the two black rivets (item 2). Add sealant to each rivet prior to pushing into each hole.



NOTE: BE SURE THAT THE LIGHT IS FACING THE CORRECT WAY. THERE IS AN ARROW ON THE TOP THAT SHOULD BE FACING THE FORWARD POSITION.

CLICK LINKS BELOW FOR LIGHT SPEC SHEETS:

[LTBLED12C5/LTBLED12C5BLK](#)

[LTBLED24C5](#)

LTBLED12C5/LTBLED12C5BLK/LTBLED24C5

For help e-mail
info@seaviewglobal.com
ph. 1-800-655-7922