

**SENCOR®**

**SVC 1080TI 4AAAA ECO POWER**



## **EN ■ Bagless vacuum cleaner**

*Translation of the original manual*

### **READ CAREFULLY AND STORE FOR FUTURE USE.**

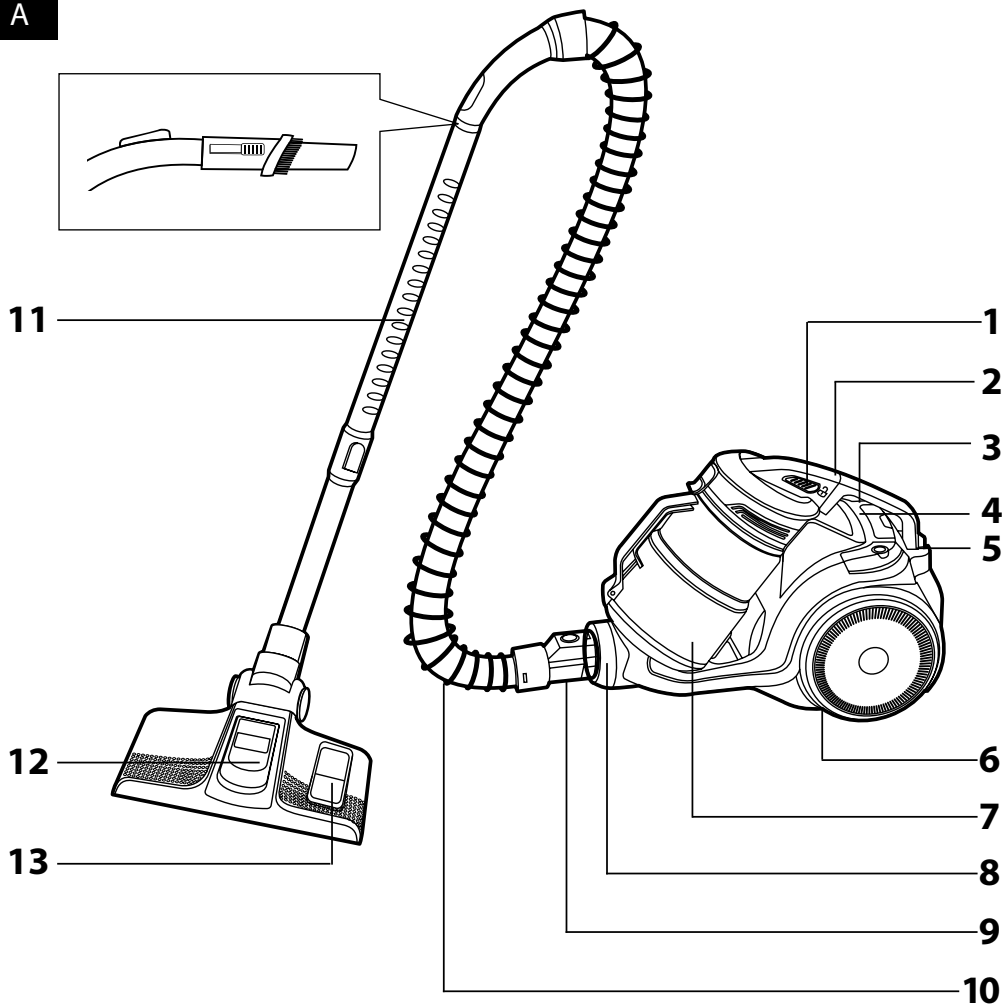
- This appliance may be used by children 8 years of age and older and by persons with physical or mental impairments or by inexperienced persons, if they are properly supervised or have been informed about how to use the appliance in a safe manner and understand the potential dangers. Children must not play with the appliance. Cleaning and maintenance performed by the user must not be performed by unsupervised children.
- If the power cord is damaged, it must be replaced by the manufacturer, its service technician or by a similarly qualified person, as this will prevent a dangerous situation from arising.
- Pull the power cable plug out of the power socket, before cleaning or performing maintenance on the appliance.
- This vacuum cleaner is designed for use in households, offices and similar types of areas. Do not use in industrial surroundings.
- Do not expose the vacuum cleaner to direct sunlight and do not place it near an open fire or appliances that are a source of heat.
- Before connecting the power cord to a power socket, check that the technical details on the vacuum cleaner's rating label match the electrical voltage in the socket.
- Make sure the power cord is not touching a hot surface or sharp objects.
- Do not submerge the vacuum cleaner under water or any other liquid and do not rinse it under running water.
- Before turning on the vacuum cleaner, and outflow filters are installed in their place.
- When the vacuum cleaner is running, ensure that the air vents and the suction hole are not blocked.

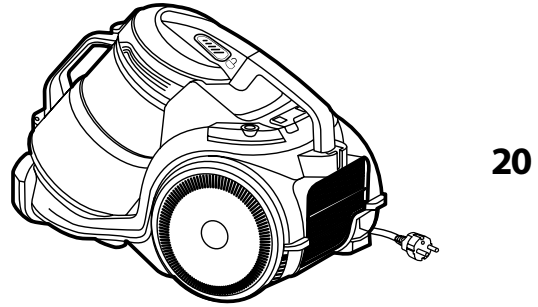
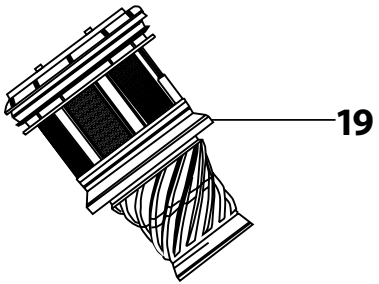
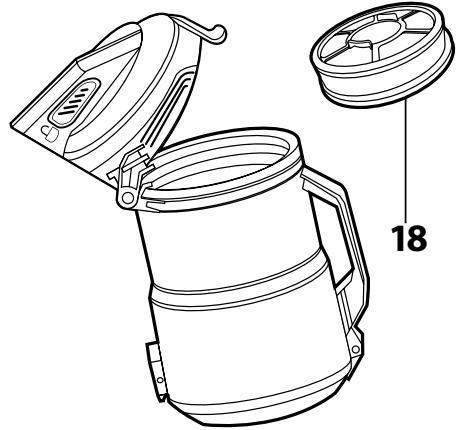
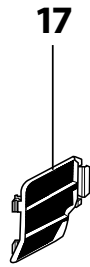
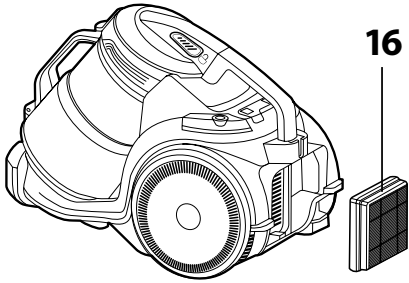
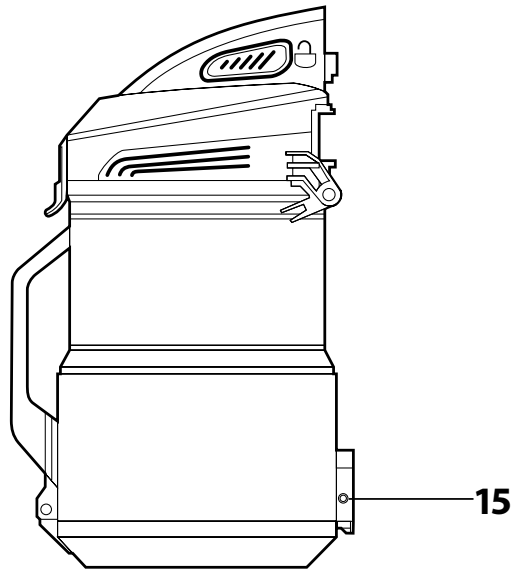
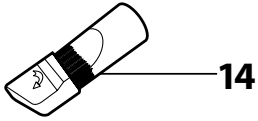
### **Do not use the vacuum cleaner to vacuum:**

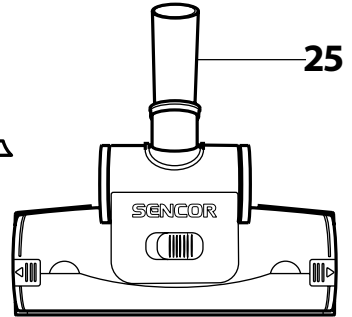
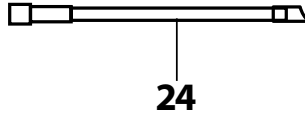
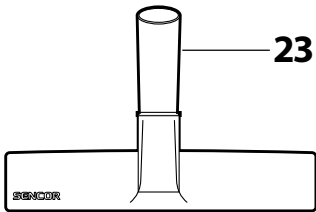
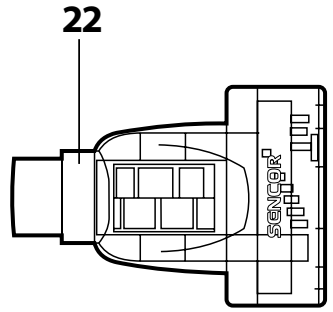
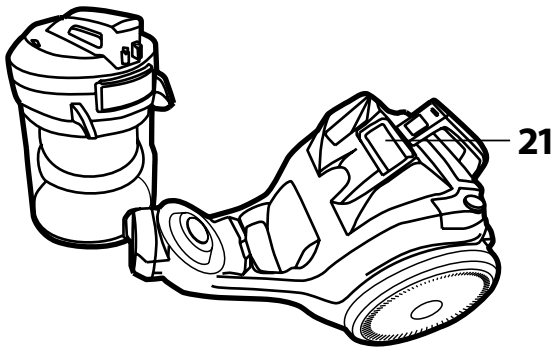
- smouldering cigarettes, burning items, matches or embers;
  - water and other liquids;
  - flammable or volatile materials;
  - sharp items, e.g. broken glass, needles, pins, etc.;
  - flour, wall plaster, cement and other building materials;
  - larger pieces of paper or plastic bags, which can easily block the suction hole.
  - Vacuuming of some types of floors or floor surfaces can create a electrostatic discharge, which presents no danger to the user.
- Do not place the suction nozzle or tube against any parts of the face.

- Always turn off the vacuum cleaner and disconnect it from the power socket when leaving it without supervision, after finishing using it and before cleaning it. Disconnect the power cord from the power socket by pulling on the plug, never pulling on the cord. Otherwise, this could damage the power cord or the socket. It is recommended to hold the power cord in your hand when winding it up.
- If the power cord is damaged, have it replaced at a professional service centre. It is forbidden to use the vacuum cleaner if it has a damaged power cord.
- Do not use the vacuum cleaner if it is not working correctly, if it has been damaged or has been submerged in water. Do not repair the vacuum cleaner yourself or make any adjustments to it. Have all repairs performed at an authorised service centre. By tampering with the appliance, you risk voiding your legal rights arising from unsatisfactory performance or quality warranty.

A







- Prior to using this appliance, please read the user's manual thoroughly, even in cases, when one has already familiarised themselves with previous use of similar types of appliances. Only use the appliance in the manner described in this user's manual. Keep this user's manual in a safe place where it can be easily retrieved for future use.
- We recommend saving the original cardboard box, packaging material, purchase receipt and responsibility statement of the vendor or warranty card for at least the duration of the legal liability for unsatisfactory performance or quality. In the event of transportation, we recommend that you pack the appliance in the original box from the manufacturer.

### DESCRIPTION OF THE APPLIANCE

- |                                                                                             |                                                        |
|---------------------------------------------------------------------------------------------|--------------------------------------------------------|
| <b>A1</b> Dust container release button                                                     | <b>A13</b> Flap for extending and retracting the brush |
| <b>A2</b> Handle                                                                            | <b>A14</b> Crevice nozzle with an extensible brush     |
| <b>A3</b> Automatic power cord winding button                                               | <b>A15</b> Dust container open clip                    |
| <b>A4</b> Suction power adjustment button                                                   | <b>A16</b> HEPA filter H13                             |
| <b>A5</b> On/Off button                                                                     | <b>A17</b> Removable grille                            |
| <b>A6</b> Rubber-coated travel wheel                                                        | <b>A18</b> Inflow micro-filter                         |
| <b>A7</b> Removable dust container                                                          | <b>A19</b> Cyclone unit                                |
| <b>A8</b> Flexible hose end connection hole                                                 | <b>A20</b> Groove for the horizontal parking position  |
| <b>A9</b> Flexible hose end                                                                 | <b>A21</b> Motor filter                                |
| <b>A10</b> Flexible hose with an integrated brush                                           | <b>A22</b> Mini turbo-brush for upholstery             |
| <b>A11</b> Telescopic metal tube                                                            | <b>A23</b> Hard floor nozzle                           |
| <b>A12</b> Floor nozzle with an extensible brush and DEEP cleaning and EASY cleaning switch | <b>A24</b> Long crevice nozzle                         |
|                                                                                             | <b>A25</b> Turbo brush                                 |

### BEFORE FIRST USE

- Before first use, take the appliance and its accessories out of the packaging material and remove all promotional labels and stickers. Check that neither the appliance nor any of its parts is damaged.

### INTENDED USE OF THE ACCESSORIES

- The universal floor nozzle with an extensible brush **A12** is intended for all floor types. Extend the brush when vacuuming smooth hard floors, and retract it when vacuuming carpets. To extend and retract the brush, use flap **A13** on the floor nozzle **A12**. Floor nozzle **A12** also has a switch for extending out a travel roller. This switch is located in the centre of the floor nozzle **A12** and it has two positions - deep cleaning and easy cleaning. The deep cleaning position (the travel roller is retracted) is ideal for deep and thorough vacuuming of carpets. The easy cleaning position (the travel roller is extended) makes movement over the vacuumed surface easier. We recommend to slightly lift up the floor nozzle **A12** when you wish to switch to the easy cleaning position.
- The turbo brush **A25** is suitable for vacuuming smooth hard surfaces and carpets with a low pile height. Thanks to the rotating brush, it quickly and effectively removes ingrained dirt, threads, animal fur, hair, etc.
- The crevice nozzle **A14** makes for easier vacuuming of corners, hard to reach places, and after extending the brush also furniture, upholstery, curtains, blinds, etc.
- The mini turbo-brush **A22** can be used particularly well for vacuuming animal fur and hair from upholstery. Air pressure causes the brush to rotate and makes for much easier combing out and vacuuming animal fur and hair from couches, sofas, etc. The size of the turbo brush makes work possible in hard to reach places, where a standard turbo nozzle will not reach.
- The hard floor nozzle **A23** ensures perfect and yet gentle vacuuming of smooth hard surfaces. It can be used to vacuum floors that are sensitive to scratching such as wooden and floating floors, tiles, linoleum, etc.
- The long crevice nozzle **A24** enables the vacuuming of dust and dirt from narrow, hard-to-reach places in corners or behind furniture.

### PREPARING FOR USE

- Check that the dust container **A7** with the micro-filter **A18** and cyclone unit **A19** are properly installed in the vacuum cleaner.
- Slide the end of the flexible hose **A9** fully into the hole **A8**. The hose **A9** is secured in place when an audible click is made.



#### Note:

Prior to disassembly, it is necessary to press the latches on the hose end **A10** while simultaneously pulling it out of the hole **A8**.

- Attach the telescopic tube **A11** on to the handle of the flexible hose **A10**. Slide the clip on the telescopic tube **A11** in the direction of the arrow marked on the extension locking clip on the telescopic tube **A11**. Set the length of the tube **A11** by sliding its extensible part in or out. When the clip is released, it will lock in at the set length.
- Connect the floor nozzle **A12** to the free end of the telescopic tube **A11**.
- The crevice nozzle **A14**, mini turbo-brush **A22**, upholstery for hard floors **A23**, long crevice nozzle **A24** or the turbo brush can be connected directly to the handle of the flexible hose **A10** or the telescopic tube **A11**.

- The flexible hose **A10**, metal telescopic nozzle **A11**, combination floor nozzle **A12**, have a practical click-in system for simple and secure connection of the individual accessory parts. Accessories equipped with this system easily and quickly fit into each other; simply press the click-in system clip to release them.

### USING THE VACUUM CLEANER

- Pull on the power plug to wind out the required length of the power cord and connect it to a power socket.



#### Attention:

The yellow mark on the power cord indicates the approaching end of its length, and the red mark indicates the complete end of its length. Do not attempt to pull the power cord past this mark.

- To start the vacuum cleaner, press the On/Off button **A5**. Use button **A4** to set the suction power of the vacuum cleaner.
- The rubber-coated wheels **A6** protect floating floors against scratching and ensure smooth motion of the vacuum cleaner on the floor.
- When you have finished vacuuming, turn off the vacuum cleaner by pressing the On/Off button **A5** and disconnect the power cord from the power socket. To wind the power cord back into the vacuum cleaner, hold down button **A3** until its entire length is wound up. Gently hold the power cord with one hand while winding it up.



#### Note:

If the power cord is not wound up completely, release button **A3**, and pull the power cord out of the vacuum cleaner by approximately 50 cm and then try to wind it up again.

### PARKING POSITION OF THE VACUUM CLEANER

When using the vacuum cleaner, you may put it in the parking position by sliding the guide tab on the floor nozzle **A12** into the groove **A20**.

Do not carry the vacuum cleaner while it is in the parking position. Otherwise, the guide tab on the floor nozzle **A12** could brake off.

### CLEANING AND MAINTENANCE

- Disconnect the power plug from the power socket before cleaning.



#### Warning:

To prevent the risk of injury by electrical shock, do not submerge the appliance, power cord or power plug in water or any another liquid.

### Emptying and cleaning the dust container

- We recommend regularly emptying and cleaning the dust container **A7**.
- In order to be able to remove the dust container **A7** from the vacuum cleaner, push the dust container release button **A1** and pull on the handle **A2** to remove the dust container **A7** from the vacuum cleaner. Position it over a dust bin and press the dust container open clip **A15**. This will open the tilt-out bottom and dump out the contents of the container **A7**.
- Gently tap on the sides of the container **A7** to release any accumulated dirt. For hygiene reasons, we recommend emptying out the dust container **A7** away from living areas.
- In order to clean the dust container **A7**, hold it with one hand and with the other hand turn the handle **A2** in the direction of the open padlock symbol that is marked on the dust container **A7**. Take the inflow micro-filter **A18** and the cyclone unit **A19** out of the dust container **A7**. Wash the container **A7** under lukewarm running water and thoroughly wipe it dry. Assemble the container **A7** and close its bottom. Then reinsert it back into the vacuum cleaner and make sure that it is properly secured in the vacuum cleaner.

### Cleaning and replacing the HEPA filter, micro-filter and motor filter

- To ensure the reliable operation of the vacuum cleaner, it is necessary to regularly clean and replace the filters. When filters are soiled, their effectiveness is reduced, which reduces the effectiveness of the vacuum cleaner.

#### HEPA filter

- In order to clean and replace the HEPA filter **A16**, it is first necessary to remove the grille **A17** at the rear of the vacuum cleaner. Then it is possible to remove the HEPA filter **A16**. In the case of light soiling, tap it out. In the event of heavy soiling, wash it under a weak current of running lukewarm water so that the water washes the dirt out of the folds. Allow the HEPA filter **A16** to dry naturally, then reinsert it and secure it in place with the grille **A17**. It is recommended to replace the HEPA filter with a new one after 6 months of use.

#### Inflow micro-filter

- In order to clean and replace the inflow micro-filter **A18**, it is necessary to first remove the dust container **A7** out of the vacuum cleaner. Hold the dust container with one hand and with the other hand turn the handle **A2** in the direction of the open padlock symbol that is marked on the dust container **A7**. Take the inflow micro-filter **A18** out of the dust container **A7**. Tap out its contents or wash it under a weak current of running lukewarm water and allow it to dry naturally. Then insert it back in its place. In the event of heavy soiling or wear and tear, replace the used micro-filter **A18** with a new one.

### Motor filter

- Remove the dust container **A7** from the vacuum cleaner. If the motor filter **A21** is visibility soiled, tap it out or wash it under lukewarm running water and allow it to dry naturally. Install the motor filter **A21** and dust container **A7** back into the vacuum cleaner. In the event that the motor filter **A21** is showing signs of wear or it is heavily soiled, replace it with a new one.



#### Note:

For hygiene reasons, we recommend that you tap out the filters away from living areas.

#### Attention:

Before putting the filters back into the vacuum cleaner, make sure that they are completely dry.



### Cleaning the flexible hose, telescopic tube, floor nozzle, crevice nozzle, mini turbo-brush, upholstery nozzle and long crevice nozzle

- If the accessories are soiled, take them out and clean away all dirt (dust, hair, animal fur, etc.).

### Cleaning the outer surface of the vacuum cleaner

- Clean the outer surface using a dry or a lightly dampened cloth. Then wipe it thoroughly dry.
- For cleaning the vacuum cleaner, do not use steel wool, abrasive cleaning products, solvents etc.

## TECHNICAL SPECIFICATIONS

|                                          |                |
|------------------------------------------|----------------|
| Rated voltage range .....                | 220 – 240 V~   |
| Rated frequency .....                    | 50 / 60 Hz     |
| Rated power input .....                  | 700 W          |
| Noise level .....                        | 78 dB(A)       |
| Dust container capacity .....            | 3.5 l          |
| HEPA filter efficiency class .....       | 13             |
| Length of the power cord .....           | 7 m            |
| Operational radius .....                 | 10 m           |
| Dimensions (lengthx widthx height) ..... | 460x275x330 mm |
| Weight.....                              | 4.9 kg         |

The declared noise emission level of the appliance is 78 dB(A), which represents a level A of acoustic power with respect to a reference acoustic power of 1 pW.



#### Safety class for electrical shock protection:

Class II – Electrical shock protection is provided by double or heavy-duty insulation.

We reserve the right to change text and technical specifications.

## INSTRUCTIONS AND INFORMATION REGARDING THE DISPOSAL OF USED PACKAGING MATERIALS

Dispose of used packaging material at a site designated for waste in your municipality.

## DISPOSAL OF USED ELECTRICAL AND ELECTRONIC EQUIPMENT



This symbol on products or original documents means that used electric or electronic products must not be added to ordinary municipal waste. For proper disposal, renewal and recycling hand over these appliances to determined collection points. Alternatively, in some European Union states or other European countries you may return your appliances to the local retailer when buying an equivalent new appliance. Correct disposal of this product helps save valuable natural resources and prevents potential negative effects on the environment and human health, which could result from improper waste disposal. Ask your local authorities or collection facility for more details. In accordance with national regulations penalties may be imposed for the incorrect disposal of this type of waste.

### For business entities in European Union states

If you want to dispose of electric or electronic appliances, ask your retailer or supplier for the necessary information.

### Disposal in other countries outside the European Union.

This symbol is valid in the European Union. If you wish to dispose of this product, request the necessary information about the correct disposal method from the local council or from your retailer.



This product meets all the basic requirements of EU directives related to it.