

# Robotic vacuum cleaner

Translation of the original manual

EN



**SENCOR®**

SRV 1000SL

*Translation of the original manual*

Before first use, please read all instructions contained in this user's manual carefully, even if you are already familiar with using similar products. Only use this appliance in accordance with the instructions described in the user's manual. Keep this user's manual in a safe place where it can be easily retrieved for future use.

We recommend saving the original cardboard box, packaging material, purchase receipt and responsibility statement of the vendor or warranty card for at least the duration of the legal liability for unsatisfactory performance or quality. If you need to ship this appliance, pack it in the original cardboard box to ensure maximum protection during shipping or transport (e.g. when moving or when you need to send this appliance for repair).

## TABLE OF CONTENTS

READ CAREFULLY AND STORE FOR FUTURE USE.....	3
BEFORE FIRST USE.....	8
PURPOSE OF USE AND FEATURES OF THE ROBOTIC VACUUM CLEANER .....	8
PREPARING THE ROBOTIC VACUUM CLEANER FOR OPERATION.....	9
OPERATING THE ROBOTIC VACUUM CLEANER.....	9
TROUBLESHOOTING TABLE .....	11
CLEANING AND MAINTENANCE .....	12
STORAGE.....	13
TECHNICAL SPECIFICATIONS .....	13
DISPOSAL OF USED BATTERIES .....	14
INSTRUCTIONS AND INFORMATION REGARDING THE DISPOSAL OF USED PACKAGING MATERIALS.....	14
DISPOSAL OF USED ELECTRICAL AND ELECTRONIC EQUIPMENT.....	14

## **READ CAREFULLY AND STORE FOR FUTURE USE.**

### **General warning**

- This appliance may be used by children 8 years of age and older and by persons with physical or mental impairments or by inexperienced persons, if they are properly supervised or have been informed about how to use the product in a safe manner and understand the potential dangers.
- Children must not play with the appliance. Cleaning and maintenance performed by the user must not be performed by unsupervised children.
- In the event that the power cord is damaged, have it repaired at a professional service centre to prevent causing a dangerous situation. It is forbidden to use the appliance if it has a damaged power cord.
- The robotic vacuum cleaner must only be used with the original power adapter that came with it. In order to avoid a dangerous situation from arising, never use a different type of power adapter.
- Prior to cleaning or maintenance, always disconnect the robotic vacuum cleaner from the power socket and turn it off using the power button.
- Adhere to the instructions contained in this user's manual when performing cleaning and maintenance tasks.

- The appliance must only be powered using a small safe voltage corresponding to the markings on the appliance.

## Electrical safety

- Before connecting the adapter to a power socket check that the technical details on the rating label match the electrical voltage in the socket.
- Connect the power adapter only to a properly grounded power socket. Do not use an extension cord.
- Do not disconnect the power adapter from the power socket by pulling on the power cord. This could damage the power adapter or the power socket. Disconnect the power adapter from the power socket by pulling on the plug.
- Do not place the power cord of the power adapter over sharp objects. Make sure that the power cord does not hang over the edge of a table and that it is not touching a heated surface.
- It is forbidden to use a power adapter with a damaged plug or power cord. For a replacement power adapter, please contact an authorised service centre.
- Never use the power adapter supplied with this appliance for any other purposes.
- Keep the power adapter and its power cord dry.
- If the power cord of the power adapter is damaged, it must be replaced by the manufacturer, its service technician or by a similarly qualified person, as this will prevent a dangerous situation from arising.
- Do not connect and disconnect the power adapter cord to and from the power socket with wet hands.
- Do not uncover the electronic parts of the robotic vacuum cleaner or its battery. They do not contain any components repairable by the user. Have the appliance serviced by qualified persons.
- To charge the battery only use the power adapter supplied with this robotic vacuum cleaner.
- Make sure the power cord of the adapter is not touching a hot surface.
- To avoid any injury by electrical shock, do not spray the robotic vacuum cleaner with water and do not submerge it in water or any other liquid.
- If you will not be using the robotic vacuum cleaner for an extended period of time, take out the battery. Prior to taking out the battery ensure that the robotic vacuum cleaner is disconnected from the power socket and that it is turned off using the power button.
- Do not use the robotic vacuum cleaner when it is not working correctly, if it has been damaged or has been submerged in water.
- To avoid the danger of injury by electrical shock, do not repair the robotic vacuum cleaner yourself or make any adjustments to it. Have all repairs performed at an authorised service centre. Tampering with the robotic vacuum cleaner during the warranty period may void the warranty.
- Prior to cleaning or maintenance, always disconnect the robotic vacuum cleaner from the power socket and turn it off using the power button.

## Safety during use

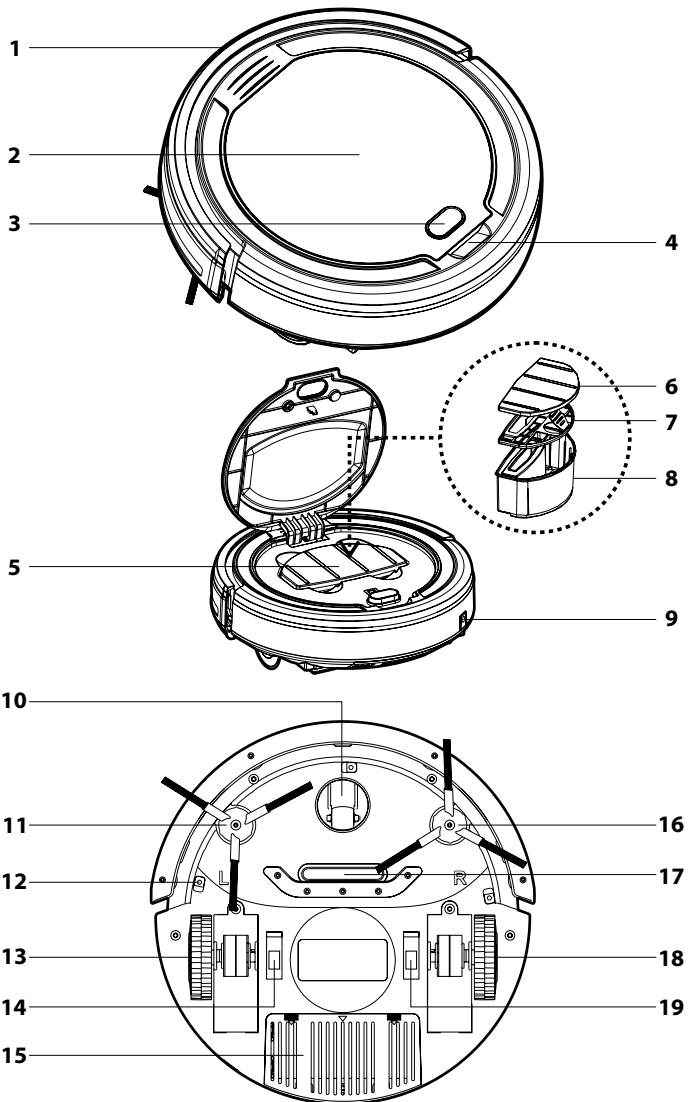
- This robotic vacuum cleaner is designed for use in households, offices and similar types of areas. Do not use it in rooms with high humidity, e.g. in laundries or bathrooms, in industrial environments or outdoors.
- The robotic vacuum cleaner is not designed for vacuuming water.
- Do not expose the robotic vacuum cleaner to direct sunlight and do not place it near an open fire or appliances that are a source of heat.
- Only use the robotic vacuum cleaner with the original accessories from the manufacturer.
- Ensure that the robotic vacuum cleaner has a dust filter correctly installed in the dust container before use.
- Before putting the robotic vacuum cleaner into operation, check that the entry door into your apartment or house is closed. From the floor surfaces, remove clothing, paper, toys, power or extension cords and other items that the vacuum cleaner could suck in or catch. Lift curtains and drapes that reach to the floor so that they do not get caught in the vacuum cleaner. If necessary, define the cleaning area using the supplied magnetic tape.
- Do not place any items on to the robotic vacuum cleaner and do not step or sit on it.
- If the robotic vacuum cleaner is running, watch out for children and household pets.
- When the robotic vacuum cleaner is running, ensure that the air vents are not covered and that the suction hole is not blocked. Otherwise, the robotic vacuum cleaner may be damaged.
- Do not use the robotic vacuum cleaner to vacuum the following items:
  - smouldering cigarettes, burning or flammable items, matches or ash;
  - water and other liquids;
  - sharp items, e.g. splinters, needles, pins, etc.;
  - flour, wall plaster and other building materials;
  - larger pieces of paper or plastic bags, which can easily block the suction hole.

# Robotic vacuum cleaner

SRV 1000SL

EN

A

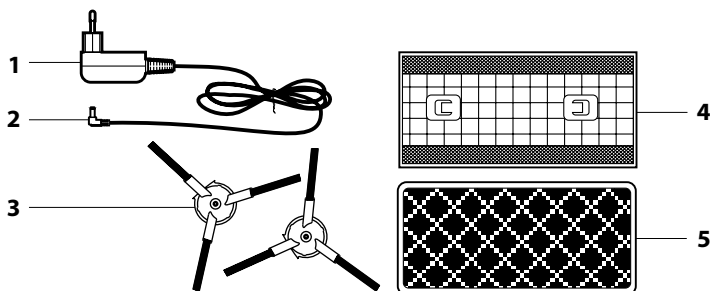


EN-5

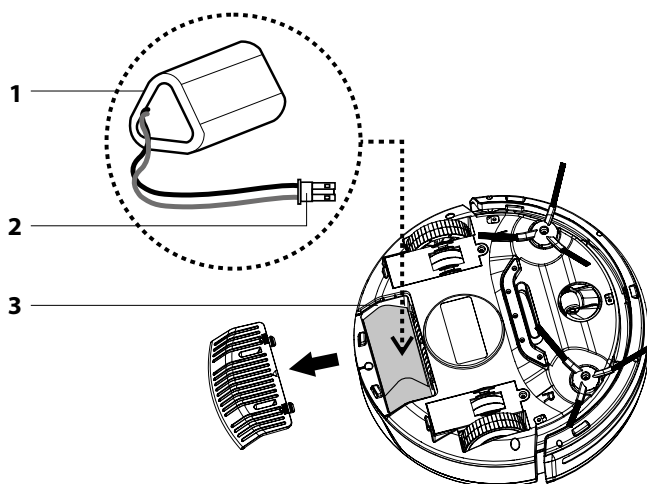
## Robotic vacuum cleaner

SRV 1000SL

B



C

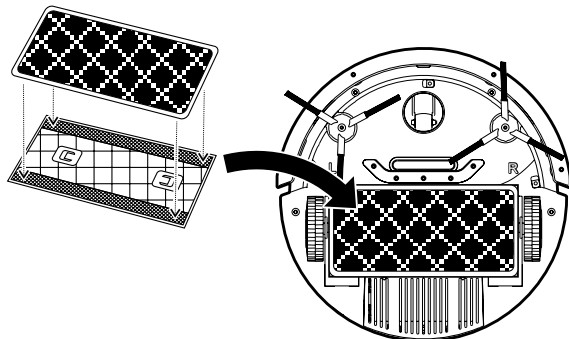


# Robotic vacuum cleaner

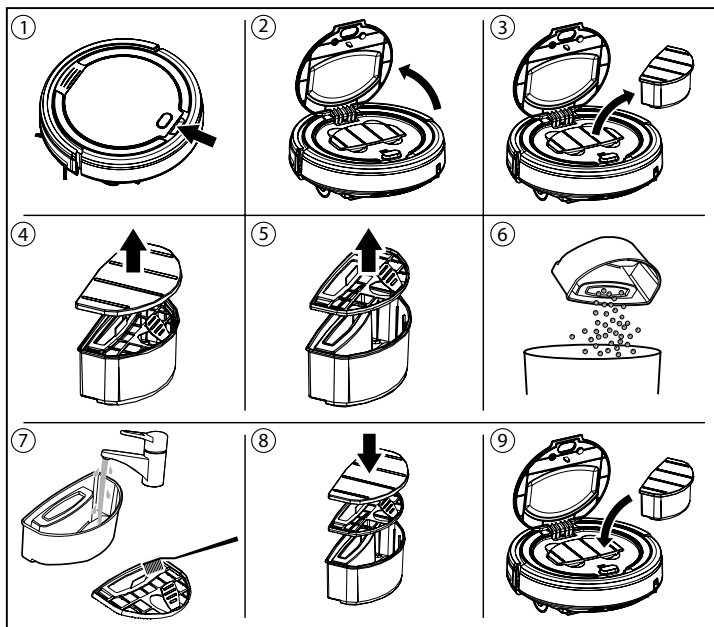
SRV 1000SL

EN

D



E



EN-7

## BEFORE FIRST USE

- Prior to using this appliance, please read the user's manual thoroughly, even in cases, when one has already familiarised themselves with previous use of similar types of appliances. Only use the appliance in the manner described in this user's manual. Keep this user's manual in a safe place where it can be easily retrieved for future use. In the event that you hand this appliance over to somebody else, make sure to also include this user's manual.
- We recommend saving the original cardboard box, packaging material, purchase receipt and responsibility statement of the vendor and warranty card for at least the duration of the legal liability for unsatisfactory performance or quality. In the event of transportation, we recommend that you pack the appliance in the original box from the manufacturer.
- Carefully unpack the appliance and take care not to throw away any part of the packaging before you find all the parts of the appliance.

## DESCRIPTION OF THE APPLIANCE AND ACCESSORIES

- |   |   |
|---|---|
| <b>A1</b> Bumper bar                      | <b>A11</b> Left rotary brush (L)        |
| <b>A2</b> Lid                             | <b>A12</b> Bottom anti-fall sensor 3x   |
| <b>A3</b> Power button / Status indicator | <b>A13</b> Left motorised rubber wheel  |
| <b>A4</b> Lid opening hole                | <b>A14</b> Mop attachment hole          |
| <b>A5</b> Dust container                  | <b>A15</b> Battery cover                |
| <b>A6</b> Dust container lid              | <b>A16</b> Right rotary brush (R)       |
| <b>A7</b> Dust filter                     | <b>A17</b> Suction hole                 |
| <b>A8</b> Dust container bin              | <b>A18</b> Right motorised rubber wheel |
| <b>A9</b> Power adapter plug socket       | <b>A19</b> Mop attachment hole          |
| <b>A10</b> Front swivel wheel             |   |
| <b>B1</b> Power adapter                   | <b>B4</b> Duster holder                 |
| <b>B2</b> Power adapter plug              | <b>B5</b> Anti-static duster            |
| <b>B3</b> Replacement rotary brushes      |   |
| <b>C1</b> Battery                         | <b>C2</b> Battery compartment           |

## PURPOSE OF USE AND FEATURES OF THE ROBOTIC VACUUM CLEANER

- The robotic vacuum cleaner is intended for cleaning various types of hard floors such as wooden or laminate floating floors, tiles, vinyl, etc. and carpets with a low pile height. While vacuuming, it effectively combines various routes to optimally clean the entire floor area.
- The suction hole **A17** effectively removes hair, animal fur, etc. The two side rotary brushes **A11** and **A16** brush dirt out of hard-to-reach places along walls and furniture and out of corners. The motorised rubber wheels **A13** and **A18** protect sensitive floors against scratching and can travel over threshold strips up to a height of 1 cm and ride on to a 2 cm high carpet.
- The suspended bumper **A1** enables the vacuum cleaner to dampen the approach to an obstacle and to efficiently clean around it. The infrared sensors in the front bumper prevent the robotic vacuum cleaner from colliding with obstacles. Safe operation in rooms with stairs is made possible by the bottom anti-stair-fall sensors **A12**.
- Another advantage of a robotic vacuum cleaner is the mop function, which enables dry and wet wiping of smooth hard floor surfaces. While wiping, the robotic vacuum cleaner vacuums small bits of dirt and dust from the floor to prevent the duster from being excessively soiled during the cleaning cycle.
- The power button is equipped with an indicator that clearly shows the operating status: weak battery (red), charging battery (flashing blue), fully charged (lit blue), error status or full dust container (both red).

## PREPARING THE ROBOTIC VACUUM CLEANER FOR OPERATION

### INSTALLING AND USING THE ROTARY BRUSHES

- The rotary brushes **A11** and **A16** are intended for smooth floor surfaces and ensure effective cleaning in corners, along walls and furniture.
- Turn the vacuum cleaner upside down. Prepare the rotary brushes **A11** and **A16**. Gradually push both the brushes precisely and with force on to the pins intended for them. While doing this, make sure that the marks L and R both on the brushes and on the robotic vacuum cleaner match. Turn the robotic vacuum cleaner back over to the operating position.
- When using the robotic vacuum cleaner to clean rooms with carpets, remove the rotary brushes. When removing them, proceed in the reverse sequence to their installation.

### INSERTING AND REMOVING THE BATTERY

- The robotic vacuum cleaner is equipped with a Li-ion battery **C1**. If the battery is packed separately, it is necessary to connect it to the robotic vacuum cleaner before first use. Use only the original battery type.
- Make sure that the robotic vacuum cleaner is turned off with the power button **A3**. Turn the robotic vacuum cleaner upside down and pull off the cover **A15**.
- Connect the connector **C2**, which is located inside the battery compartment, to the battery connector **C3**. The battery can only be connected in one direction.
- Insert the battery into the battery compartment **C3**.
- Put the cover **A15** back on and turn the robotic vacuum cleaner back over to the operating position.
- Take the battery **C1** out in reverse sequence. Prior to removing the battery, always check that the robotic vacuum cleaner is turned off using the power button **A3**.
- When the robotic vacuum cleaner will not be used for an extended period of time, take out the battery and store it in a dry, clean and cool place out of children's reach.

### CHARGING THE BATTERY FOR THE FIRST TIME

- Before using the robotic vacuum cleaner for the first time, it is recommended to fully charge the battery for a period of at least 8 hours. Thereafter, a standard charge will take approximately 2 - 2,5 hours.
- Insert the power adapter plug **B2** on the power adapter cable **B1** into the socket **A9** of the vacuum cleaner, and insert the power adapter mains plug into a power socket.
- During the charging process, the indicator on the power button **A3** will flash blue.
- When the battery is fully charged, the indicator on the power button **A3** will remain permanently lit blue. The robotic vacuum cleaner is now ready for use.

## OPERATING THE ROBOTIC VACUUM CLEANER



#### Note:

Before starting the robotic vacuum cleaner, always check that the dust container **A5**, together with the dust filter **A7**, is inserted in place.

- Place the vacuum cleaner on the floor in a location with enough free space. Check that the entry door into your apartment or house is closed. From the floor surfaces, remove clothing, paper, toys, power or extension cords and other items that the vacuum cleaner could suck in or catch. Lift curtains and drapes that reach to the floor so that they do not get caught in the vacuum cleaner.



#### Tip:

When vacuuming in a new environment for the first time, carefully observe the movement of the robotic vacuum cleaner. This will enable you to recognise problematic obstacles and remove them for the next cleaning session.

- Turn on the robotic vacuum cleaner by pressing the power button **A3**. The robotic vacuum cleaner will start vacuuming.
- The indicator on the power button is not lit in any colour when the robotic vacuum cleaner is running. In the event that an error occurs, for example one of the wheels on the robotic vacuum cleaner becomes jammed, the indicator will be lit red and an acoustic signal will be made.
- If the dust container fills up while vacuuming, the indicator will be lit red and a sound signal will be made.
- If the battery is almost flat, the robotic vacuum cleaner will stop automatically. The indicator will be lit red and an acoustic sound will be made. When the battery is completely flat, the red indicator will turn off.
- To stop the vacuum cleaner, press the power button **A3**.
- Empty the dust container **A5** after each use according to the instructions contained in chapter Maintenance and cleaning.

## USING THE MOP

- The mop is an auxiliary function to the robotic vacuum cleaner and is intended for dry or wet cleaning of smooth hard floor areas. It consists of the holder **B4** and an anti-static duster **B5**.



### Attention:

Only use the mop intended for this type of robotic vacuum cleaner.

Do not use the holder **B4** without the anti-static duster **B5**.

The mop is not intended for cleaning carpets.

- Attach the anti-static duster **B5** to the holder **B4** using the Velcro zip tape on the holder.
- Turn the vacuum cleaner upside down. Click the assembled mop into the holes **A14** and **A19** in the robotic vacuum cleaner and turn it back over to its normal operating position.
- Start the robotic vacuum cleaner.
- When you have finished cleaning, remove the mop in reverse sequence to its installation. Rinse the duster **B5** under running water, thoroughly wring it dry and allow it to dry.

## CHARGING THE ROBOTIC VACUUM CLEANER

- Prior to charging it, always turn off the robotic vacuum cleaner using the power button **A3**.
- Insert the power adapter plug **B2** on the power adapter cable **B1** into the socket **A9** of the vacuum cleaner, and insert the power adapter mains plug into a power socket.
- During the charging process, the indicator on the power button **A3** will flash blue. Thereafter, a standard charge will take approximately 4 hours.
- When the battery is fully charged, the indicator on the power button **A3** will remain permanently lit blue. The robotic vacuum cleaner is now ready for use.



### Note:

To ensure optimal performance of the battery and to extend its lifespan, we recommend that you always allow the battery to fully recharge.

If you forget to turn off the robotic vacuum cleaner before charging the battery, you need to first turn it off after charging it and only then turn it on again.

## CARING FOR THE BATTERY

- We recommend that you do not interrupt the charging cycle and that you maintain the battery **C1** in a charged state.
- Do not leave the robotic vacuum cleaner standing fully charged or completely flat for an unnecessarily long period of time.
- A battery **C1** that is allowed to remain flat for a long time may self-discharge below a permissible level and thereby cause irreparable damage to itself.

# Robotic vacuum cleaner

SRV 1000SL

EN

## TROUBLESHOOTING TABLE

PROBLEMA	POSSIBLE CAUSE	SOLUTION
The vacuum cleaner cannot be turned on.	▪ The battery is not inserted correctly in the robotic vacuum cleaner.	▪ Insert the battery according to the instructions in this user's manual.
	▪ The battery is flat.	▪ Charge the battery according to the instructions in this user's manual.
The vacuum cleaner is on, but it is not vacuuming dust and dirt.	▪ The dust container is full.	▪ Empty the dust container.
	▪ The dust filter is not properly installed in the dust container.	▪ Properly install the dust filter into the dust container.
After turning it on, the indicator is lit red.	▪ Low battery voltage.	▪ Charge the battery.
	▪ The vacuum cleaner is lifted off the floor.	▪ Place the vacuum cleaner back on the floor.
The vacuum cleaner travels only backwards when it is turned on.	▪ The vacuum cleaner was placed on a floor that is too dark.	▪ Move the vacuum cleaner to a lighter-coloured floor and start it again.
	▪ An anti-fall sensor is dirty.	▪ Clean the anti-fall sensors.
The rotary brushes are deformed and do not sweep up dust and dirt.	▪ The brushes are worn out.	▪ Dip them in warm water to renew their original shape.
		▪ Contact the vendor or service centre and order new brushes.
The indicator is constantly lit blue even after 3 hours of recharging.	▪ Most likely, there was a power outage during the recharging process.	▪ Despite this, the vacuum cleaner is fully functional and it can be put back into operation after it is disconnected from the power socket.

- In the event that the robotic vacuum cleaner stops and you are unable to put it back into operation, try turning the power button **A3** off and then on again. If the problem persists, please contact an authorised service centre.

## CLEANING AND MAINTENANCE

- Prior to cleaning it, always turn off the robotic vacuum cleaner using the power button **A3**.
- For cleaning, never use abrasive cleaning products, solvents, etc.
- Neglecting cleaning and maintenance may negatively affect the functioning of the vacuum cleaner and lead to its reduced performance.

### DUST CONTAINER AND DUST FILTER

- Clean the dust container **A5** after every use. Insert a finger into the hole **A4** and gently lift up the lid **A2** and then open it fully.
- Take out the dust container **A5**. Remove the lid **A6** from the dust container and take out the dust filter **A7**. Tip the dirt out of the dust container bin **A8**. For hygiene reasons, we recommend doing this away from living areas.
- Wash the dust container under running water and dry it well. Clean the dust filter using a soft brush and insert it back into the dust container.
- Close the dust container with the lid, put it back into the vacuum cleaner and tilt down the top cover.



#### Note:

It is not necessary to wash the dust container after every use.



#### Attention:

Do not wash the dust container in a dishwasher.

Before putting the vacuum cleaner back into operation, check that the dust filter is properly installed in its location. Otherwise the vacuum cleaner may be damaged.

### CLEANING THE SUCTION HOLE

- With repeat use, dust and dirt may accumulate around the suction hole **A17**, which may manifest itself through decreased efficiency. Remove the dirt dust from the suction opening using a soft brush. Regularly clean the suction opening to ensure maximum suction power.

### CLEANING THE ROTARY BRUSHES

- Remove the rotary brushes **A11** and **A16** by pulling them upwards. Remove any dust and dirt from the location where the brushes were mounted.
- Remove all dust and dirt from the brushes. If necessary you may wash the brushes under running water. If the bristles were deformed while the vacuum cleaner was running, dip them in warm water to allow them to return to their original shape. Allow the brushes to dry before reattaching them to the vacuum cleaner.
- After cleaning them, reattach them.



#### Note:

The rotary brushes become worn out when used. After a certain time it is necessary to replace the used brushes with new ones. To order new brushes, please contact your vendor or an authorised service centre.

### MOP

- After every use of the mop function, remove the antistatic duster **B5**, wash it by hand in lukewarm water with the addition of a small amount of gentle washing powder and allow it to dry naturally. Wipe the holder **B4** using a lightly dampened cloth and then wipe it dry.

### COMPLETE ROBOTIC VACUUM CLEANER

- Regularly wipe the surface of the robotic vacuum cleaner using a soft dry wiping cloth.
- At least once per week or more frequently, clean the front swivel wheel **A10**, the motorized wheels **A13** and **A18**, the suction hole **A17**, rotary brushes **A11** and **A16** and the bottom sensors **A12**.
- First remove any coarser dirt from the front swivel wheel **A10** and the motorised wheels **A13** and **A18**. Then clean them around their entire perimeter using a lightly dampened cloth and wipe them dry. Do not forget to also clean the area around the wheels.
- Wipe the sensors **A12** on the underside of the robotic vacuum cleaner using a soft dry wiping cloth or cotton buds.

## STORAGE

When not using the robotic vacuum cleaner for an extended period of time, do the following:

- Clean the robotic vacuum cleaner as described in chapter Cleaning and maintenance.
- Remove the battery **C1** from the robotic vacuum cleaner as described in chapter Inserting and removing the battery.
- Store the robotic vacuum cleaner with all its accessories in a dry, clean and cool place.

## TECHNICAL SPECIFICATIONS

### Robotic vacuum cleaner

Dimensions (width × depth × height) .....	280 × 280 × 75 mm
Weight .....	2.5 kg
Suction power .....	10 W
Power input .....	15 W
Operating time per single charge .....	up to 80 minutes
Dust container capacity .....	200 ml

### Power adapter

Rated voltage range .....	100–240 V AC
Rated frequency .....	50/60 Hz
Output .....	11.1 V, 800 mA

### Battery

Type .....	1,500 mAh Li-Ion
Output .....	11.1 V, 800 mA
Charging time .....	2 - 2.5 h

The declared noise emission level is lower than 65 dB(A), which represents a level A of sound power with respect to a reference sound power of 1 pW.

### DISPOSAL OF USED BATTERIES

Prior to handing over the product at a specialised collection facility, it is necessary to ensure that the built-in battery is removed. Prior to removing the battery, check that the vacuum cleaner is turned off using the power button **A3**. Remove the battery cover **A15** disconnect and remove the battery **C1**. Put the cover back on.



This symbol indicates that used batteries do not belong in ordinary municipal waste. Hand over used batteries to designated collection points for proper disposal. Correct disposal of batteries will help prevent negative impacts on the environment and human health.

#### Disposal in other countries outside the European Union.

This symbol is valid in the European Union. If you wish to dispose of used batteries, request the necessary information about the correct disposal method from the local authorities or from your vendor.

### INSTRUCTIONS AND INFORMATION REGARDING THE DISPOSAL OF USED PACKAGING MATERIALS

Take the packaging material to a designated municipal waste facility.

### DISPOSAL OF USED ELECTRICAL AND ELECTRONIC EQUIPMENT



This symbol on products or original documents means that used electric or electronic products must not be added to ordinary municipal waste. For proper disposal and recycling, take these products to designated collection points. Alternatively, in some European Union states or other European countries you may return your appliances to the local retailer when buying an equivalent new appliance. Correct disposal of this product helps save valuable natural resources and prevents damage to the environment caused by improper waste disposal. Ask your local authorities or collection facility for more details. In accordance with national regulations penalties may be imposed for the incorrect disposal of this type of waste.

#### For business entities in European Union states

If you want to dispose of electric or electronic appliances, ask your vendor or supplier for the necessary information.

#### Disposal in other countries outside the European Union.

This symbol is valid in the European Union. If you wish to dispose of this product, request the necessary information about the correct disposal method from the local council or from your vendor.



This appliance meets all the basic requirements of EU directives related to it.

# Robotic vacuum cleaner

SRV 1000SL

EN

# Robotic vacuum cleaner

SRV 1000SL