



## EN ■ Hand garment steamer

*Translation of the original manual*

**READ CAREFULLY AND STORE FOR FUTURE USE.****General warnings**

- This appliance may be used by children 8 years of age and older and by persons with physical or mental impairments or by inexperienced persons, if they are properly supervised or have been informed about how to use the product in a safe manner and understand the potential dangers.
- Children must not play with the appliance. Cleaning and maintenance performed by the user must not be performed by unsupervised children.
- In the event that the power cord is damaged, have it repaired at a professional service centre to prevent causing a dangerous situation. It is forbidden to use the appliance if it has a damaged power cord.
- The garment steamer must not be left without supervision when connected to a power socket.
- Use the garment steamer attentively and carefully because hot water vapour is released.
- Always disconnect the garment steamer from the power socket when leaving it without supervision, when filling up or emptying the water tank, when you have finished using it and before cleaning it.
- The garment steamer must not be used if it has fallen on the floor, exhibits visible signs of damage or if it is leaking.
- The garment steamer must not be left within the reach of children younger than 8 years of age, when it is connected to mains electricity or while it is cooling down.

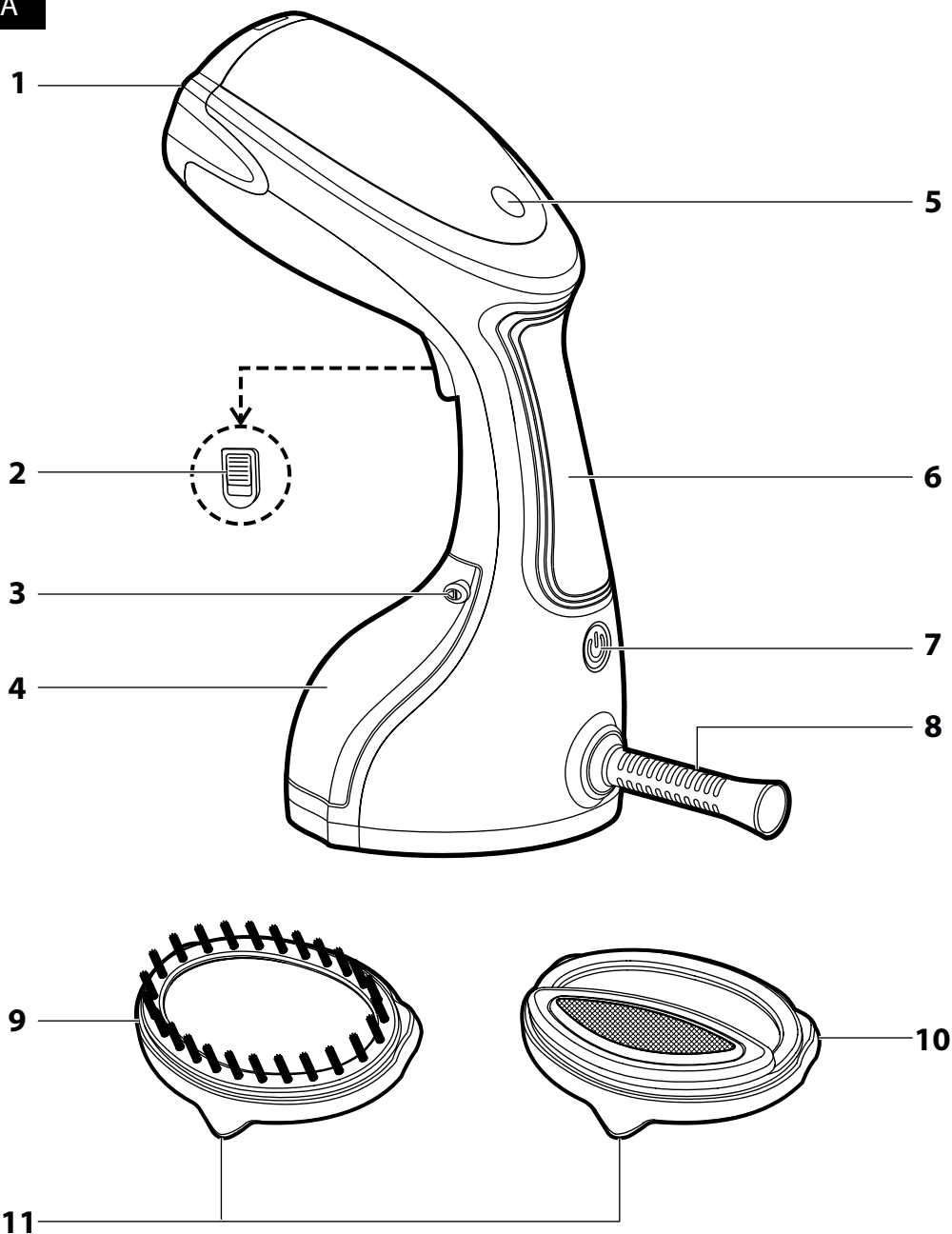
**Electrical safety**

- Electrical safety
- Before connecting the garment steamer to a power socket, make sure that the voltage stated on its rating label corresponds to the voltage in your power socket.
- Connect the garment steamer only to a properly grounded socket. Do not use an extension cord.
- Do not touch the garment steamer with wet or damp hands when it is connected to a power socket.
- To avoid potential injury by electrical shock, do not clean the garment steamer under running water, do not spray it with water and do not submerge it in water or any other liquid.
- Ensure that the power cord does not come into contact with water, moisture or a hot surface.
- Do not place heavy items on the power cord. Make sure the power cord does not hang over the edge of a table and that it is not touching a hot surface or sharp objects.
- Disconnect the garment steamer from the power socket by gently pulling the plug of the power cord, and not the power cord itself. Otherwise, this could damage the power cord or the socket.
- Do not pull or carry the garment steamer by the power cord.
- To avoid the danger of injury by electrical shock, do not repair the garment steamer yourself or make any adjustments to it. Have all repairs performed at an authorised service centre. By tampering with the product you risk voiding your legal rights arising from unsatisfactory performance or quality warranty.

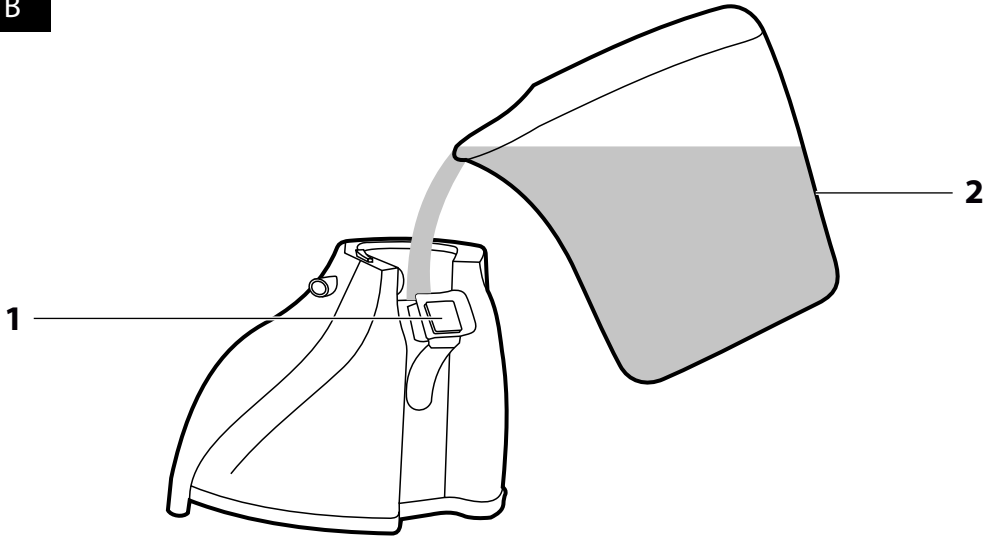
**Safety during use**

- The garment steamer is designed for household use. Do not use it in industrial surroundings or outdoors.
- Do not place the garment steamer on or near an electric or gas stove or other sources of heat.
- Never use the garment steamer without a full water tank. Such dry operation could damage the garment steamer.
- Never fill the water tank directly underneath a water tap. Always use the supplied container for filling the water tank.
- Follow the maintenance instructions provided on the label of the garment and set an appropriate temperature for the given material. Otherwise, you could damage the garment. In the event that no instruction for handling are available, start with a non-visible part of the garment, such as for example an inner seam, to test out the effect of the steam.
- Before use, ensure that all the fabrics intended for cleaning are resistant against the high temperature of the steam. Do not clean fine fabrics such as for example silk or velvet without first acquainting yourself with the included information from the manufacturer and performing a small test on a small, less visible part of the garment.
- Never steam garments worn on people or on garments that you are yourself wearing.
- Never direct the steam at people, body parts, animals, plants or any appliances containing electrical components. Direct the steam only at the textile itself.
- Never point the steam at your hands or at metal objects or components.
- Also, do not direct the steam current at toxic substances, acids, solvents, cleaning agents or aggressive substances. Do not direct the steam current at explosive powders or liquids, hydrocarbons, an open flame or extremely hot objects.
- Do not apply the steam at a single location for too long. This could damage the surface being cleaned.
- Between individual uses, the garment steamer must be placed aside on a stable, even and heat-resistant surface.
- During use, do not slide the water tank out of the garment steamer. Allow the garment steamer to cool down first and pull out the power plug from the power socket.
- Do not touch the hot garment steamer head. Otherwise, this could cause burns.
- Prior to cleaning or any other handling of the garment steamer, that you have disconnected from the power socket, allow the garment steamer head to cool down.

A



**B**



# Hand garment steamer

## User's manual

- Prior to using this appliance, please read the user's manual thoroughly, even in cases, when one has already familiarised themselves with previous use of similar types of appliances. Only use the appliance in the manner described in this user's manual. Keep this user's manual in a safe place where it can be easily retrieved for future use. In the event that you hand this appliance over to somebody else, make sure to also include this user's manual.
- Carefully unpack the appliance and take care not to throw away any part of the packaging before you find all its parts. We recommend saving the original cardboard box, packaging material, purchase receipt and responsibility statement of the vendor or warranty card for at least the duration of the legal liability for unsatisfactory performance or quality. In the event of transportation, we recommend that you pack the appliance in the original box from the manufacturer.

### DESCRIPTION OF THE APPLIANCE

<b>A1</b> Garment steamer head	<b>A9</b> Brush attachment It is suitable for garments, pillows, drapes, blankets, etc.
<b>A2</b> Start steaming button	<b>A10</b> Cleaning attachment It is suitable for removing fibres, hair, fuzz balls and dirt
<b>A3</b> Water tank release button (on both sides of the water tank)	<b>A11</b> Attachment tip
<b>A4</b> Water tank	
<b>A5</b> Heating indicator	
<b>A6</b> Handle	
<b>A7</b> On/Off button	
<b>A8</b> Swivel power cord end Limits twisting and tangling of the power cord.	
<b>B1</b> Filling opening cap	<b>B2</b> Water tank

### PURPOSE OF USE

- This hand garment steamer is ideal for quickly smoothing out creases and folds on garments by the use of steam without the need for an ironing board. Garments can be smoothed out on a coat hanger.
- It will handle social attire and hard-to-iron fabrics, but will also find its use throughout the entire household. It will live up and smoothen out drapes or straighten out couch covers. It is also able to eliminate undesirable odours and certain forms of dirt.
- Apart from smoothing out/straightening, it can also be used to brush garments or remove fibres, hair, fuzz balls and dirt.
- The appliance is not suitable for small business activity or for industrial applications.

### BEFORE FIRST USE

- Before first use, remove all packaging materials including promotional stickers and labels from the appliance. Wipe the garment steamer head **A1** with a lightly dampened cloth before first use and then wipe dry.
- Using a dry or lightly dampened cloth, also clean the outer parts of the garment steamer and then wipe it dry.



#### Attention:

Never submerge the garment steamer in water or any other liquid!

### OPERATION

#### FILLING THE WATER TANK

- The garment steamer is intended to be filled with clean tap water. Limescale deposits may quickly form, if you live in an area with hard or very hard water. Therefore, to extend the lifetime of the garment steamer, it is recommended to mix the tap water with distilled water. The ratio of distilled water to tap water is as follows:
  - 1:1 for medium hard water
  - 2:1 for hard water
  - 3:1 for very hard water

Your local water utility will provide information about the water hardness in your area.



#### Attention:

Never add water softeners, vinegar, starch, perfumes or other additives to the water.  
Never fill the water tank past the holes in the garment steamer head. Never submerge the garment steamer in water.



#### Warning:

Prior to removing, filling and inserting the water tank, the garment steamer must always be disconnected from the power socket!

- Hold down both buttons **A3** at the same time to release the water tank, and then slide the water tank out of the body of the garment steamer.
- Fill the included container with water. Tilt open the cap of the filling opening and slowly pour the water from the container into the filling opening of the water tank. Make sure that the water level does not rise above the maximum water level mark (MAX) on the water tank. To correctly assess the water level height, place the water tank on a horizontal surface. In the event that you have dripped or poured water on the tank while filling it, then dry it.
- Close the filling opening cap and insert the water tank back into the body of the garment steamer so that it clicks into place.

### PREPARING GARMENTS

- Prior to using the garment steamer, always check the recommendations of the manufacturer for garment care on the label. The garment steamer can be used to treat all materials marked with the symbol of the iron, such as synthetic fibres (viscose, polyester), silk, wool, cotton, flax sheets, etc.
- In the event that treatment instructions forbid ironing then you must not straighten out the garment using this garment steamer. Otherwise, you could damage the garment.



#### Attention:

Do not treat leather, velvet, impregnated furniture or steam sensitive materials. This could result in their irreparable damage.

- It is easier to rid garments of creases when you properly spread them out after washing them. Hang the garments on coat hangers so that they have the least amount of creases.
- In the event that you are not sure whether a garment is suitable for straightening out using steam, try out the behaviour of the garment steamer on an old piece of fabric or on a non-visible part of the garment, such as for example an inner seam.
- Hang the garment on a coat hanger. Ensure that there is sufficient free space behind the fabric to enable sufficient air circulation, otherwise dampness could develop. Also check that there are no objects sensitive to heat and humidity in the near vicinity of the garment, which could be damaged by steam.
- Check whether the pockets are empty and that cuffs and skirts are turned downwards.



#### Warning:

Never attempt to straighten out garments directly on yourself or on another person! Always hang the garment on a coat hanger or another suitable object.

### TURNING ON

- Insert the power cord into a power socket and press button **A7**. Indicator **A5** will start flashing on the garment steamer head, meaning that the garment steamer head is heating up. Once the garment steamer's thermostat reaches the correct temperature, the indicator will stop flashing and remain permanently lit. The garment steamer is now ready for use.



#### Note:

In the event that you press the steam release button before the inner water tank reaches optimal temperature, it may happen that instead of steam, water may come out of the nozzles.

- In order not to overload the electrical circuit while using the garment steamer, we recommend that no other appliances are plugged into the same circuit as the garment steamer.

### STARTING AND ENDING STEAMING

- Grasp the garment steamer by the handle so that the steam outlets on the garment steamer head are pointed away from you.
- Pressing and holding down button **A2** will result in steam being emitted from the head.
- It is necessary to keep button **A2** continuously pressed while steaming. For more comfortable work, it is possible to move the button downwards. This will lock it in place in the operating position and it is then not necessary to hold it pressed down. Sliding the button back up will release it again.
- When using this garment steamer for the first time, allow it to steam up for several minutes. In this way, you will remove all the dirt and odours that may have potentially remained in this garment steamer during the manufacturing process.
- If you want to stop steaming, release button **A2**.

### STRAIGHTENING GARMENTS AND DRAPES



#### Warning:

This garment steamer creates steam of high temperature. Do not touch the garment steamer head while using it. While using the garment steamer, ensure that the head of the garment steamer is constantly pointed away from you and that it is in a vertical position.



#### Note:

During the steaming process, you will feel vibrations and hear a light humming sound. This is completely normal. This is not a malfunction of the garment steamer.

- Keep the garment steamer in a vertical position, move it closer to the top end of the garment or drape and using the other hand, pull down on its bottom part by its edges.
- In the event that the garment has metal accessories, e.g. zips, buttons, etc., be careful and do not use the garment steamer directly over metal. This could lead to the discolouration of the metal or its corrosion.
- On business shirts, first do up the buttons on the collar, the fabric will then straighten out better. Move the garment steamer horizontally back and forward along the collar.
- When steaming sleeves, start in the area of the shoulders and move the garment steamer downwards. Simultaneously steam and pull the sleeve downwards with the other hand.
- On shirt pockets, move the garment steamer upwards against the fabric.
- On dresses with frills, ruffling, pleats or braids, keep the garment steamer at a short distance from the fabric.
- On heavy textiles, a longer straightening process may be necessary.
- Fabrics absorb moisture when straightened using steam. After straightening with steam, always allow the garment to dry out fully before putting it on.

### STEAMING UPHOLSTERY OR PILLOWS

- The garment steamer can be used to freshen up the appearance of upholstery, furniture coverings and cushions used on furniture and in living rooms, as well as for disinfection and freshening up of bed linen, mattresses, curtains and cuddly toys.
- Before steaming, always carry out a test on a small area that is not visible.
- When steaming the above-mentioned items, proceed in the same way as when steaming garments. Only pillows must be steamed removed from the furniture and allowed to dry fully before being returned to their place.

### USING THE ATTACHMENTS



#### Attention:

Prior to attaching of removing the attachment, the garment steamer head must be sufficiently cooled down and the garment steamer must be disconnected from the power socket.

- If you wish to use the brush attachment or the cleaning attachment, simply seat it on the garment steamer head so that the tip **A11** is located on the underside of the head and push the attachment on to the head.
- When using the brush attachment, brush the area that needs to be straightened, slowly downwards, without applying excessive pressure. The combination of steam and the brush gently removes all creases from garments.
- The cleaning attachment helps to more easily remove materials such as fibres, hair and fuzz balls. Also use it for treating fine underwear (e.g. silk), where the possibility of excess moistening is eliminated.
- To remove the attachment from the garment steamer head, push forward on the tip **A11** with your thumb until the attachment is released from the garment steamer head.

### ADDING WATER TO THE WATER TANK

- In the event that the garment steamer starts to buzz loudly and steam stops coming out of it, check the amount of water in the water tank. In the event that there is little or no water inside, you need to fill it up. Proceed according to chapter FILLING THE WATER TANK

### AUTOMATIC SHUT-OFF FUNCTION

- If you leave the garment steamer 8 minutes without movement, it will automatically shut off. The inner control circuit will disconnect the power supply to prevent any accidents and to save power.



#### Attention:

Despite the garment steamer being equipped with an automatic shut-off function, for safety reasons, never leave it without supervision when it is connected to a power socket.

### DRIP STOP FUNCTION

- The garment steamer is equipped with a Drip Stop function that prevents water from dripping out of the garment steamer head and thereby prevents the formation of stains on textiles.

### TURNING OFF

- Press button **A7**. The indicator **A5** on the garment steamer head will turn off.
- Disconnect the power cord from the power socket and allow the garment steamer head to cool down.
- After the garment steamer has cooled down, clean it according to the instructions in chapter Cleaning and maintenance.

### CLEANING AND MAINTENANCE

#### CLEANING AFTER EVERY USE



#### Attention:

Before cleaning, the garment steamer must be disconnected from the power socket and cooled down. Do not submerge the garment steamer in water when cleaning it. For cleaning, do not use steel wool, solvents or cleaning products with an abrasive effect, etc. to prevent damaging the surface being cleaned.

- Take the water tank out of the garment steamer, tilt open the filling opening cap and empty out any remaining water into the sink. Close the cap and first wipe the water tank with a damp cloth and then wipe it dry.
- Clean the garment steamer head using a soft cloth lightly dampened in water.
- In the event that the surface of the garment steamer is dirty, wipe it with a lightly dampened cloth and then wipe it dry.

### REMOVING LIMESCALE DEPOSITS

- For the correct function of the garment steamer, it is advisable to regularly descale it. The frequency of descaling depends on water quality and how often the garment steamer is used. We recommend descaling the garment steamer at least once a year or after 50 hours of operation. We also recommend descaling whenever you notice a reduced amount of emitted steam.
- For descaling, we recommend standard descaling agents based on citric acid. Follow the instructions provided with the descaling agent.
- Fill the water tank with the descaling agent and clean water up to the MAX level mark.
- Insert the power cord into a power socket and press button **A7**. When the indicator on the garment steamer head is permanently lit, you may start the descaling process.
- Prepare a suitable old piece of cloth and gradually steam it so that you use up at least half the contents of the water tank. It is ideal to use up the entire water tank.
- Then pour clean water into the water tank and again steam the textile to remove any remains of the descaling agent.

### STORAGE

- When you have finished using it, you can store the cooled down garment steamer with the emptied water tank in a suitable location out of children's reach.
- Keep the garment steamer away from extreme temperatures, direct sunlight and excessive humidity. Do not use it in an overly dusty environment. Do not place anything on to the stored garment steamer.

### TECHNICAL SPECIFICATIONS

Rated voltage range .....	220–240 V AC
Rated frequency.....	50/60 Hz
Rated power input .....	1,200 W
Continuous steam output.....	20 g/min
Capacity of the removable water tank .....	260 ml
Heat up time .....	28 s
Dimensions (length x width x height) .....	153 mm x 110 mm x 272 mm
Weight.....	950 g

Changes to text and technical parameters are reserved.

### INSTRUCTIONS AND INFORMATION REGARDING THE DISPOSAL OF USED PACKAGING MATERIALS

Dispose of used packaging material at a site designated for waste in your municipality.

### DISPOSAL OF USED ELECTRICAL AND ELECTRONIC EQUIPMENT



This symbol on products or original documents means that used electric or electronic products must not be added to ordinary municipal waste. For proper disposal, renewal and recycling, hand over these appliances to determined collection points. Alternatively, in some European Union states or other European countries you may return your appliances to the local retailer when buying an equivalent new appliance.

Correct disposal of this product helps save valuable natural resources and prevents potential negative effects on the environment and human health, which could result from improper waste disposal. Ask your local authorities or collection facility for more details.

In accordance with national regulations penalties may be imposed for the incorrect disposal of this type of waste.

#### For business entities in European Union states

If you want to dispose of electric or electronic equipment, ask your retailer or supplier for the necessary information.

#### Disposal in other countries outside the European Union.

This symbol is valid in the European Union. If you wish to dispose of this product, request the necessary information about the correct disposal method from the local council or from your retailer.



This product meets all the basic requirements of EU directives related to it.