



EN ■ Bagless vacuum cleaner

Translation of the original manual

READ CAREFULLY AND STORE FOR FUTURE USE.**General warnings**

- This appliance may be used by children 8 years of age and older and by persons with physical or mental impairments or by inexperienced persons, if they are properly supervised or have been informed about how to use the product in a safe manner and understand the potential dangers.
- Children must not play with the appliance. Cleaning and maintenance performed by the user must not be performed by unsupervised children.
- In the event that the power cord is damaged, have it repaired at a professional service centre to prevent causing a dangerous situation. It is forbidden to use the appliance if it has a damaged power cord.
- Pull the power plug out of the socket before cleaning the appliance or performing maintenance.

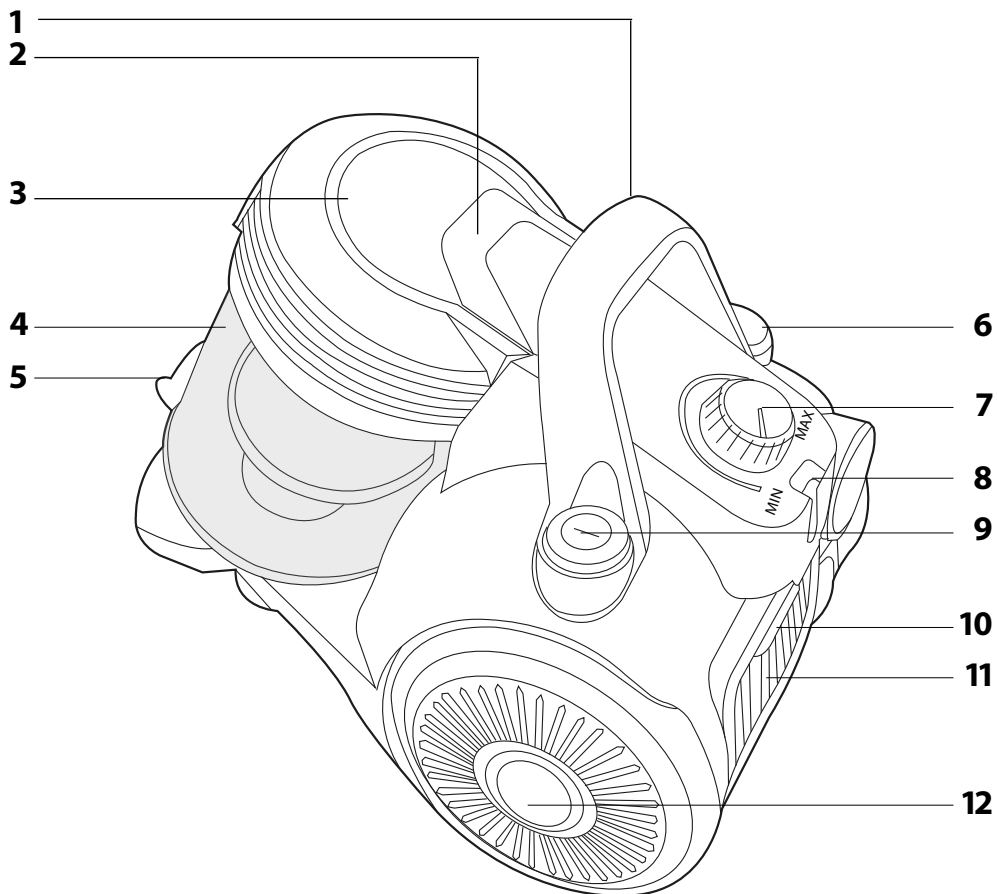
**WARNING:**

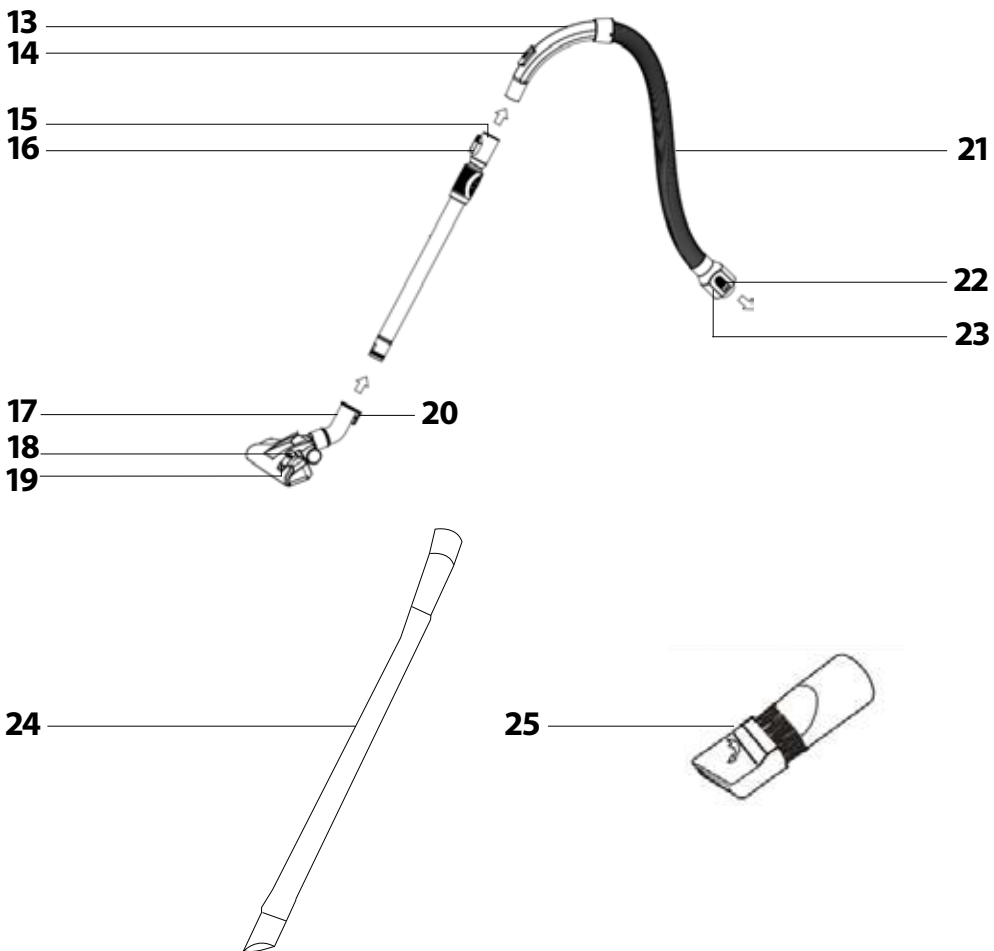
Avoid coming into contact with the rotating parts of the vacuum cleaner's hand accessories. There is a risk of getting caught on these parts and possible injury.

- This vacuum cleaner is designed for use in households, offices and similar types of areas. Do not use in industrial surroundings.
- Do not expose the vacuum cleaner to direct sunlight and do not place it near an open fire or appliances that are a source of heat.
- Before connecting the power cord to a power socket, check that the technical details on the vacuum cleaner's rating label match the electrical voltage in the socket.

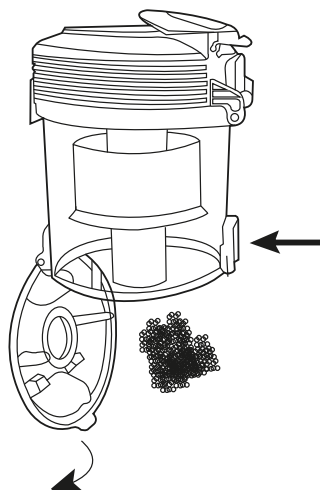
- Make sure the power cord is not touching a hot surface or sharp objects.
- Do not submerge the vacuum cleaner under water or any other liquid and do not rinse it under running water.
- Before turning on the vacuum cleaner, make sure that all the inflow and outflow filters are installed in their place.
- When the vacuum cleaner is running, ensure that the air outlets and the suction hole are not blocked.
- Do not use the vacuum cleaner to vacuum the following items:
 - smouldering cigarettes, burning items, matches or embers;
 - water and other liquids;
 - flammable or volatile materials;
 - items, e.g. broken glass, needles, pins, etc.;
 - flour, wall plaster, cement and other building materials;
 - larger pieces of paper or plastic bags, which can easily block the suction hole.
- Vacuuming of some types of floors or floor surfaces can create an electrostatic discharge, which presents no danger to the user.
- Do not place the suction nozzle or tube against any parts of the face.
- Always turn off the vacuum cleaner and disconnect it from the power socket when leaving it without supervision, after finishing using it and before cleaning it.
- Disconnect the power cord from the power socket by pulling on the plug, never pulling on the cord. Otherwise, this could damage the power cord or the socket. It is recommended to hold the power cord in your hand when winding it up.
- If the power cord is damaged, have it replaced at a professional service centre. It is forbidden to use the vacuum cleaner if it has a damaged power cord.
- Do not use the vacuum cleaner if it is not working correctly, if it has been damaged or has been submerged in water. Do not repair the vacuum cleaner yourself or make any adjustments to it. Have all repairs or adjustments performed at an authorised service centre. By tampering with the appliance, you risk voiding your legal rights arising from unsatisfactory performance or quality warranty.

A

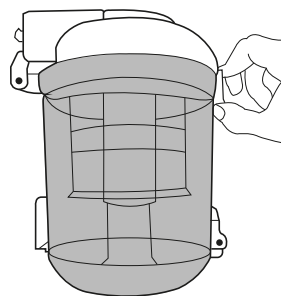




B



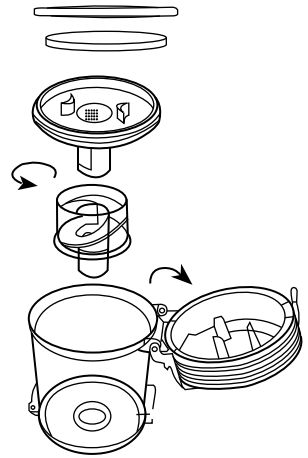
C1



C2



C3



DESCRIPTION OF THE VACUUM CLEANER

A1 Vacuum cleaner carry handle	A15 Telescopic tube
A2 Dust container release handle	A16 Telescopic tube position lock
A3 Dust container lid	A17 Combination floor nozzle
A4 Dust container	A18 Flap position for vacuuming carpets
A5 Hose connection hole	A19 Flap position for vacuuming hard (smooth) floors
A6 Cord winding button	A20 Stopper for the parking position
A7 Suction power control knob	A21 Hose
A8 Parking position	A22 Clip
A9 On/Off button	A23 Hose end
A10 Outflow filter protective grille	A24 Long flexible crevice nozzle
A11 Outflow filter	A25 Combination crevice nozzle with an extensible brush
A12 Rubber coated wheels	
A13 Holder	
A14 Sliding flap for air suction	

ASSEMBLY

Inserting the hose into the air suction hole on the vacuum cleaner.

- Press both the clips on the end of the hose and insert it into the air suction hole **A5** on the vacuum cleaner until you hear a "click". The hose **A21** is now secured in the correct position.

Attach the holder to the telescopic tube:

- Make sure to place the holder with the hose on the wider part of the telescopic tube **A15**.

Attach the floor nozzle to the telescopic tube:

- Make sure that the floor nozzle **A17** is attached to the narrower part of the telescopic tube **A15**.

Adjust the length of the telescopic tube:

- Adjust the length of the telescopic tube **A15** as required – disengage and hold the clip **A16** on the tube in the direction shown by the arrow and adjust the length of the tube **A15** as required. Then release the clip **A16** and slide out the tube **A15** slightly forward until you hear a "click". The telescopic tube **A15** is now securely locked in position.

USING THE VACUUM CLEANER

Connecting the vacuum cleaner to the power grid

- Wind out the required length of the power cord by pulling on the power plug. Insert the power plug into a power socket.



Attention:

The yellow marking on the power cord warns you that the power cord is close to its end. Do not pull the cord farther than the red marking.

Adjusting the floor inlet nozzle according to the floor surface.

- You may set the inlet nozzle according to the floor surface by adjusting the inlet flap:
- If you want to vacuum carpets, move the flap to retract the bristles.
 - If you want to vacuum hard and smooth surfaces, move the flap to extend the bristles.

Turning the vacuum cleaner on and off

- To turn on the vacuum cleaner, press the On/Off button **A9**. To turn off the vacuum cleaner, press the button **A9** again.

Adjusting the suction power

- Suction can be controlled using the control knob **A7**. Turning clockwise (towards MAX) increases the power of the vacuum cleaner, turning anticlockwise (towards MIN) reduces the power. In a smaller range, you may regulate suction power using the mechanically sliding flap **A14** on the hose handle.

Tips

- Use the maximum suction power when vacuuming carpets or floors with a hard surface. Use the reduced strength when vacuuming upholstery, window curtains, etc.
- If the hose holder becomes blocked when vacuuming, disconnect it from the telescopic tube and also disconnect the hose from the vacuum cleaner body. Then place the holder inside the suction hole on the vacuum cleaner body and vacuum the stuck dirt out.

Temporary interruption of the vacuuming process

- If you wish to temporarily stop vacuuming, you can use the parking position **A8** on the vacuum cleaner, into which the stopper **A20** on the floor nozzle is inserted.



Attention:

Do not move the vacuum cleaner from place to place if the hose is in the parked position! The stopper on the floor nozzle could brake off.

Ending the vacuuming process

- When you finish vacuuming, switch the vacuum cleaner off by pressing the On/Off button **A9** and then disconnect the power cord plug from the power socket.
- To wind the power cord back into the vacuum cleaner, press and hold the winding button **A6** with one hand and guide the power cord with the other.

Tips

- If the winding process stops and part of the power cord is still outside, release the winding button **A6** and pull the cable out again by about 50 cm and then press and hold the winding button **A6** again and repeat the winding process.

USING THE ACCESSORIES

- The combination floor nozzle **A17** for hard floors ensures perfect and yet gentle vacuuming of smooth hard surfaces thanks to the brush being from 100 % natural bristles. It can be used to vacuum floors that are sensitive to scratching such as wooden or floating floors, marble floors, tiles, linoleum, etc.
- The long flexible crevice nozzle **A24** serves to vacuum very hard-to-reach places anywhere in your car.
- The crevice nozzle **A25** is suitable for vacuuming hard to reach places (e.g. window frames, libraries, upholstery corners, joints, etc.).

CLEANING AND MAINTENANCE



Attention:

Before cleaning, disconnect this appliance from the power source.

Emptying the dust container

Regularly empty out the dust container **A4** as otherwise as the air flow and the suction power of the vacuum cleaner are reduced. Nevertheless, it is recommended to always empty out the dust container **A4** when you have finished vacuuming.

- Take out the hose **A21**.
- Grasp the dust container **A4** by the handle **A2** and pull it out upwards.
- Take the dust container **A4** above a waste bin and press the button for releasing the bottom of the dust container – see fig. B, to tip the dirt and dust out of it. If it is heavily soiled you may wash the entire container under running lukewarm water. However, before doing this, it is necessary to remove the filtration unit!
- Close the bottom of the dust container **A4** and insert it into the vacuum cleaner.



Attention:

Make sure that all parts are completely dry before reinserting the dust container **A4** back into the vacuum cleaner.

Replacement and cleaning of the filtration unit with the HEPA filter

It is recommended to regularly clean and replace the filtration unit with the HEPA filter to ensure that the vacuum cleaner remains in reliable working condition.

- Pull the dust container **A4** out of the vacuum cleaner.
- Carefully release the clip on the lid **A3** – see figure C1.
- Tilt open the lid and remove the HEPA filter with the foam pre-filter – see figure C2. Wash both filters under running lukewarm water and if necessary replace them with new ones.
- Carefully remove the filtration unit from the dust container **A4** and wash it together with the dust container **A4** in lukewarm water. Allow everything to dry thoroughly.
- Then assemble the filtration unit and insert it into the dust container **A4**. Then insert the foam pre-filter and finally the HEPA filter – see figure C3.
- Place the dust container **A4** back into the vacuum cleaner.



Attention:

Never insert the filters back into the vacuum cleaner if they are wet or damp! Always wait until they are thoroughly dry.

Replacing the outflow filter

- First remove the grille of the outflow filter **A10** by pulling it away from the vacuum cleaner in the location of both safety clips.
- Then remove the outflow filter **A11** and replace it with a new one.
- After reinserting the filter **A11**, put on the grille of the outflow filter **A10** and click it in behind both the clips.

**Attention:**

Make sure you put the outflow filter **A11** in the vacuum cleaner with the plastic grille facing outwards!

Cleaning the vacuum cleaner

- To clean the outside parts of the appliance use a fine cloth dipped in lukewarm water. Do not use aggressive cleaning agents, paint thinners or solvents. Using these solutions could damage the surface of the appliance.

TECHNICAL SPECIFICATIONS

Rated voltage.....	220 – 240 V ~
Rated frequency.....	50 - 60 Hz
Rated power input.....	700 W
Noise level.....	78 dB(A)
Length of power cord.....	5 m
Operating range.....	8 m
Dust container capacity.....	2 l
Dimensions (length × width × height).....	365 × 260 × 295 mm
Weight.....	3.7 kg

The declared noise emission level of the appliance is 78 dB(A), which represents a level A of acoustic power with respect to a reference acoustic power of 1 pW.

**Safety class for electrical shock protection:**

Class II – Electrical shock protection is provided by double or heavy-duty insulation.

Changes to text and technical parameters reserved.

INSTRUCTIONS AND INFORMATION REGARDING THE DISPOSAL OF USED PACKAGING MATERIALS

Dispose of used packaging material at a site designated for waste in your municipality.

DISPOSAL OF USED ELECTRICAL AND ELECTRONIC EQUIPMENT

This symbol on products or original documents means that used electric or electronic products must not be added to ordinary municipal waste. For proper disposal, renewal and recycling, hand these products over to determined collection points. Alternatively, in some European Union states or other European countries you may return your appliances to the local retailer when buying an equivalent new appliance.

Correct disposal of this product helps save valuable natural resources and prevents potential negative effects on the environment and human health, which could result from improper waste disposal. Ask your local authorities or collection facility for more details.

In accordance with national regulations penalties may be imposed for the incorrect disposal of this type of waste.

For business entities in European Union states

If you want to dispose of electric or electronic devices, ask your retailer or supplier for the necessary information.

Disposal in other countries outside the European Union.

This symbol is valid in the European Union. If you wish to dispose of this product, request the necessary information about the correct disposal method from the local council or from your retailer.



This product meets all the basic requirements of EU directives related to it.