

WALL MOUNTED POT FILLER FAUCETS

1.8GPM 6.8L/min

unit:inch(mm)

You may need



For easy installation of your faucet you will need:

To READ ALL the instructions completely before beginning.

To READ ALL warnings, care, and maintenance information.

Application

Faucet are designed for delivering cold water from a main supply. Faucet can be positioned above sinks or stoves and the articulated nature of the spout enables the outlet to be conveniently positioned above pots / pans as required.

Installation

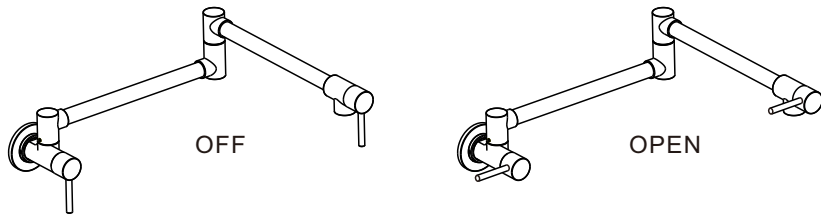
Note:

When installing on plasterboard walls (not solid walls) it must be assured that an appropriate reinforcement is in place to ensure sufficient strength.

Flush pipes thoroughly!

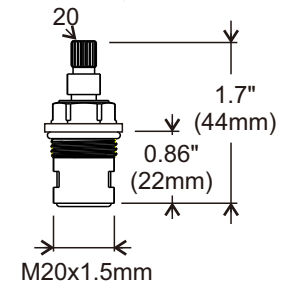
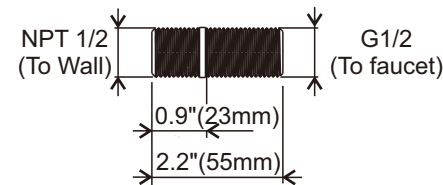
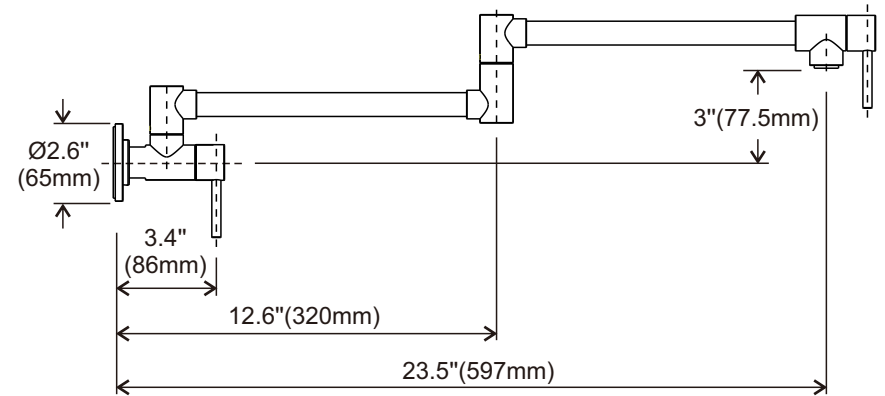
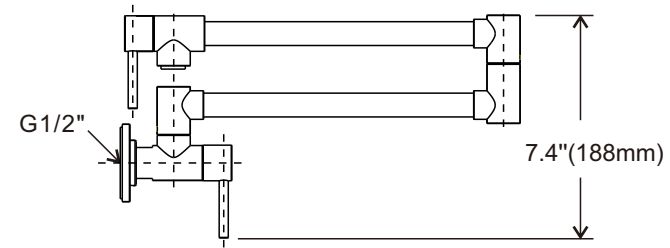
Cleaning and Care

Care should be given to the cleaning of this product. Although its finish is extremely durable, it can be damaged by harsh abrasives or polish. To clean, simply wipe gently with a damp cloth and blot dry with a soft towel.



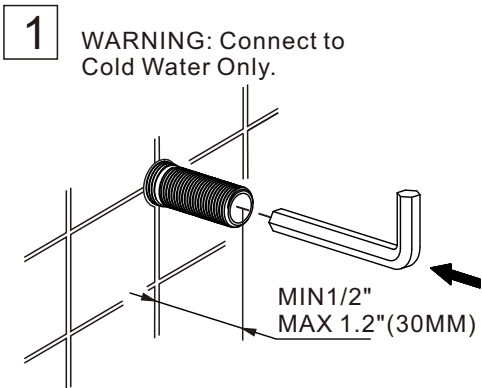
Notice:

Simple on/off control by rotating handle 90 (1/4 turn) Shut off both handle cartridges when not in use or left unattended. Improper use or inadequate drainage below faucet may cause water damage.



Notice:

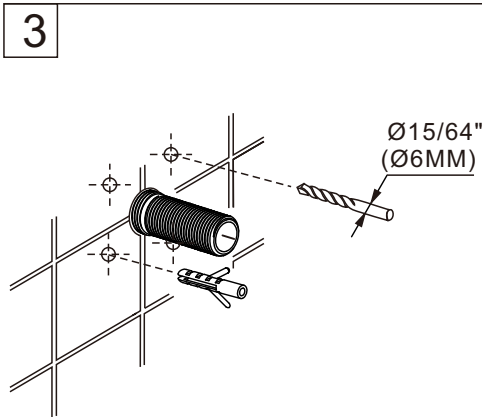
Cold water connection only
1" recommended hole size
1/2" IPS inlets



1

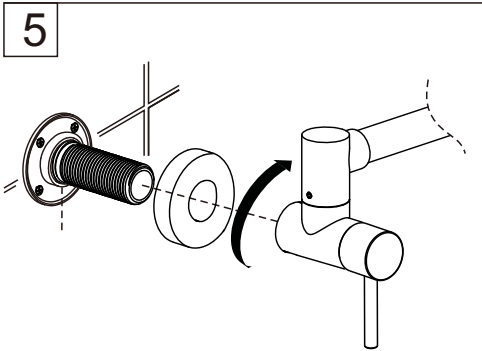
WARNING: Connect to Cold Water Only.

Wrap plumber tape around pipe threads
Connect to 1/2" IPS supply line.



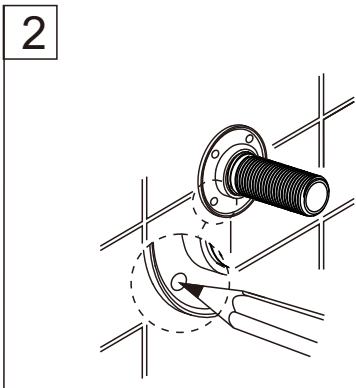
3

Drill holes and insert plugs



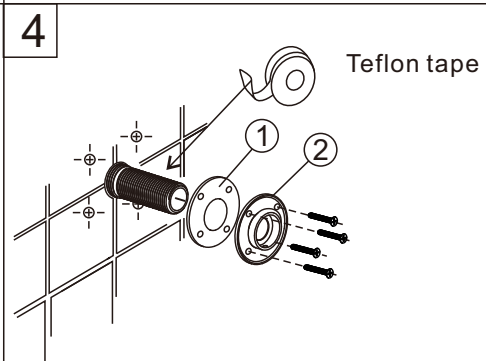
5

Place flange trim (1) onto the faucet .
Thread faucet onto pipe.
Tighten securely, but do not overtighten.



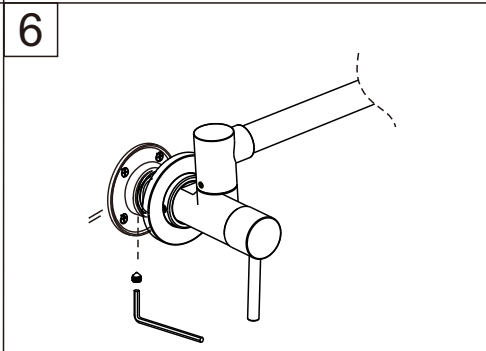
2

Push flange on pot filler, mark locating hole on wall



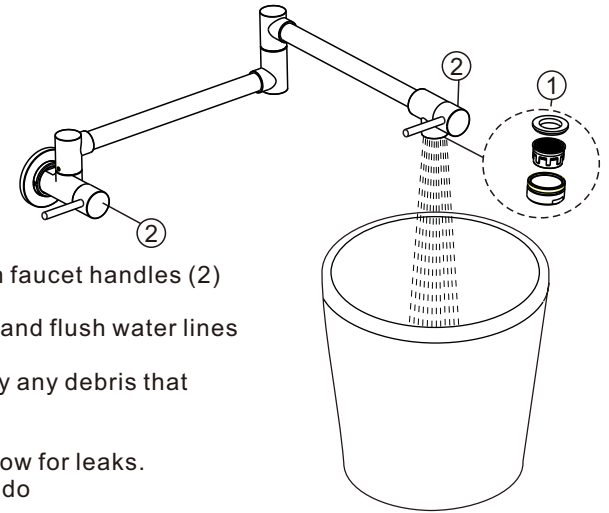
4

Wrap plumber tape (1) around pipe threads.
Install the gasket (2) and the flange (3) using the 4 screws provided.



6

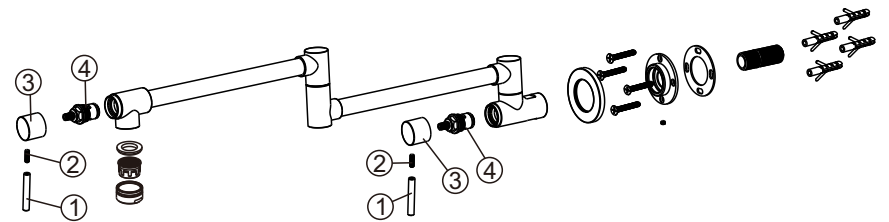
Screw on pot filler
Screw in screw by using an 1.5mm allen wrench to fasten pot filler to flange .



Remove aerator (1) and turn faucet handles (2) to the full on position.
Turn on cold water supplies and flush water lines for one minute.
Important: This flushes away any debris that could cause damage to internal parts.
Check all connections at arrow for leaks.
Re-tighten if necessary, but do not overtighten.

With 1.8 gpm are compliant with California water efficiency regulations, Complies with California Proposition 65 and with the Federal Safe Drinking Water Act.

In areas with extremely low water pressure causing the faucet water flow to be unsatisfactory, replace the aerator to improve the water flow in the faucet.



If faucet leaks out of spout or handle - Replace valve cartridge (4).
Remove handle cap(3), stick(1)and screw (2). Unscrew and replace valve cartridge, 1.5 mm hex. Assemble in reverse order. Line up handles with valves in closed position before pushing handles into place.