

Form 3039w  
(Rev. 561)  
Printed in U.S.A.

# LIST OF PARTS



## SINGER\*\*

### MACHINE No. 111w155

---

THE SINGER MANUFACTURING COMPANY

# INSTRUCTIONS FOR OILING

---

To ensure easy running and prevent unnecessary wear of the parts which are in movable contact, the machine requires oiling and when in continuous use, "TYPE B" or "TYPE D" OIL, sold by Singer Sewing Machine Company, should be applied at least twice each day to all oil holes marked "OIL", as instructed in Form 2663w.

"TYPE D" OIL should be used when an oil is desired which will produce a minimum of stain on fabrics, even after a long period of storage.

To insure satisfactory results, "TYPE E" Thread Lubricant, sold by Singer Sewing Machine Company, should be used in the thread lubricator which is attached to the top of the machine.

## INSTRUCTIONS FOR ORDERING

In ordering from this list, use **ONLY** the **PART** number in the **FIRST** column.

The number stamped on a Sewing Machine Part is the number of the Single Part only, except when the part includes Set Screws, Clamping Screws, Studs and Rollers Spun on, Small Wires riveted, or Parts soldered together, etc., which it is necessary to furnish in combination.

Every combination of parts sent out has its specific number which, although not stamped on Parts (except in above case), must be used when ordering the combination.

Each number always indicates the **SAME PART** in whatever list it appears, or for whatever Machine.

The letters after some of the numbers indicate the style of finish only, as follows:

- A—Hardened, Polished, Nickel Plated and Buffed.
- AL—Heat Treated for Toughness.
- ALX—Heat Treated for Toughness and Black Oxide.
- B—Polished, Nickel Plated and Buffed.
- C—Hardened only.
- D—Polished only.
- E—Soft, Not polished.
- F—Hardened and Polished.
- J—Nickel Plated only.
- R—Merlized.
- X—Black Oxide, for Iron and Steel.
- XC—Hardened and Black Oxide, for Iron and Steel.
- Y—Black Nickel Plated only.
- Z—Chromium Plated.

These letters **MUST BE USED** when they appear in the list and **AFTER** the number, as in the list.

In this series

1 to 1500, 200001 to 201500 and 350001 to 351500 are Screw Numbers.

1501 to 1800, 201501 to 201800 and 351501 to 351800 are Nut Numbers.

1801 to 2000, 201801 to 202000 and 351801 to 352000 are Roller Numbers.

2001 to 50000 and 202001 to 350000 are Numbers of Machine Parts.

The figures in the second column refer only to the plate in which the illustration of the part is shown and are **NOT TO BE USED** in ordering.

Two or more numbers over a cut indicate that the difference between such parts is not visible in an illustration.

Parts marked with an asterisk (\*) are furnished only when repairs are made at the factory.

# **MACHINE No. 111w155**

**HIGH SPEED. KNEE LIFTER.**

**COMPOUND FEED. ALTERNATING PRESSERS.**

**POSITIVE STITCH REGULATION**

**SAFETY CLUTCH**

**FOR AUTOMOBILE WORK, TENTS, AWNINGS,**

**FURNITURE UPHOLSTERING, LEATHER COATS, ETC.**

## NUMERICAL LIST OF PARTS

FOR

MACHINE NO. 111w155

No.	Plate	Name
457AL	16713	Bobbin Winder Pulley Set Screw, for 259930
691F	16718	Throat Plate Screw (2)
1103C	16719	Lifting Eccentric Regulating Screw, for 240744
2102	16713	Bobbin Winder Tension Disc, for 225462
12361	16722	Machine Hinge Connection (2)
13710	16713	Bobbin Winder Tension Spring, for 225462
41400	16006	Machine Rest Pin (wood)
120342	16006	Oiler (copper plated) with 120343
120343	16006	Oiler Spout (3-1/2 in. long) for 120342
141553X	16719	Lifting Eccentric Body Set Screw, for 240743
200004E	16722	Arm Screw (3)
200006E	16688	Hook Saddle Screw
200009E	16688	Hook Saddle Pinch Screw, for 223850
200019E	16718	Feed Driving Crank Pinch Screw, for 240228
200019E	16718	Feed Driving Rock Shaft Crank Pinch Screw, for 224141
200029E	16719	Lifting Eccentric Connection Crank Pinch Screw, for 240171
200029E	16719	Needle Bar Rock Frame Rock Shaft Crank Pinch Screw, for 223692
200054E	16721	Presser Bar Lifting Bracket Pinch Screw, for 264526
200056E	16713	Bobbin Winder Stop Latch Screw, for 259462
200059C	18515	Thread Lubricating Cup Set Screw, for 236955
200061ALX	16715	Thread Controller Stud Set Screw
200074F	16721	Lifting Presser Foot Screw, for 208566
200082D	16722	Bobbin Winder Tension Bracket Screw, for 259462
200086ALX	16720	Needle Bar Connecting Stud Pinch Screw, for 208552
200086ALX	16721	Presser Bar Position Guide Lever Pinch Screw, for 202338
200086ALX	16721	Presser Bar Spring Bracket Pinch Screw, for 210949
200098F	16720	Needle Bar Rock Frame Position Bracket Screw

## NUMERICAL LIST OF PARTS

No.	Plate	Name
200106E	16718	Feed Dog Screw (2)
200113F	16713	Bobbin Winder Brake Clamp Screw, for 259462
200113F	16722	Knee Lifter Connection Lever Lifting Rod Roller Bracket Set Screw, for 224412
200113F	16722	Knee Lifter Connection Lever Lifting Rod Spring Collar Set Screw, for 227227
200118D	16688	Bobbin Case Opener Screw, for 240560
200132E	16715	Thread Controller Spring Stop Screw
200134F	16717	Hook Driving Shaft Ball Bearing Retaining Washer Screw, for 240562
200157X	16722	Attachment Screw
200159F	16715	Tension Bracket Screw
200164X	16717	Arm Shaft Connection Belt Timing Plate Screw (2)
200173D	16718	Feed Lifting Cam Oiling Felt Screw, for 267273
200175D	16720	Needle Bar Thread Guide Screw, for 240498
200262X	16722	Knee Lifter Connection Lever Hinge Screw
200262X	16722	Knee Lifter Lifting Lever Hinge Screw
200270X	16722	Knee Lifter Connection Lever Lifting Rod Roller Hinge Screw, for 224413
200278X	16716	Arm Cap Screw
200299X	16713	Bobbin Winder Stop Latch Trip Lever Hinge Screw, for 259462
200309E	16715	Tension Release Lever Screw, for 240446
200327C	16714	Arm Shaft Connection Belt Pulley Set Screw, for 240361
200327C	16718	Feed Driving Rock Shaft Bushing (right) Pinch Screw
200327C	16717	Hook Driving Shaft Bushing Set Screw (2)
200333C	16717	Feed Driving Flange Position Screw, for 240565
200335C	16716	Arm Shaft Bushing (back) Set Screw
200335C	16717	Hook Saddle Bearing Set Screw
200335C	16720	Needle Bar Crank Set Screw, for 202692
200338C	16716	Arm Shaft Bushing (front) Set Screw
200346C	16717	Feed Driving Flange Set Screw, for 240565
200347AL	16718	Feed Driving Rock Shaft Bushing (left) Pinch Screw
200347AL	16718	Feed Driving Rock Shaft Bushing (right) Pinch Screw Set Screw

## NUMERICAL LIST OF PARTS

3

No.	Plate	Name
200347AL	18580	Knee Lifter Rock Lever Stop Stud Set Screw, for 228707
200347AL	16720	Needle Bar Rock Frame Hinge Stud Set Screw
200352AL	16721	Presser Bar Bushing Set Screw (2)
200352AL	16721	Presser Bar Position Guide Set Screw
200354C	16717	Hook Driving Shaft Lock Ratchet Position Screw, for 265314
200355X	16715	Thread Retainer Set Screw
200362C	16717	Hook Driving Gear Set Screw, for 223867
200362C	16717	Hook Driving Shaft Lock Ratchet Set Screw, for 265314
200363AL	16720	Take-up Lever Hinge Stud Set Screw
200364C	16688	Bobbin Case Opener Lever Hinge Stud Set Screw, for 240560
200364C	16688	Hook Bushing (lower) Set Screw, for 224024
200364C	16717	Safety Clutch Locking Lever Hinge Stud Set Screw, for 240538
200364C	16717	Safety Clutch Locking Lever Spring Stud Set Screw, for 240538
200374AL	16720	Needle Bar Connecting Link Stud Set Screw, for 202692
200378C	16716	Arm Shaft Ball Bearing Collar Set Screw, for 240054
200378C	16717	Hook Driving Shaft Ball Bearing Collar Set Screw, for 240060
200382ALX	16717	Feed Driving Eccentric Adjusting Disc Spring Collar Set Screw, for 248416
200382ALX	16688	Hook Driving Pinion Set Screw, for 240167
200383C	16718	Feed Driving Rock Shaft Stop Collar Set Screw, for 202625
200383C	16720	Needle Bar Connecting Link Stud Set Screw, for 202692
200387C	16719	Needle Bar Rock Frame Slide Block Stud Set Screw, for 223691
200388C	16714	Arm Shaft Connection Belt Pulley Position Screw Check Screw, for 240361
200388C	16720	Needle Bar Crank Position Screw Check Screw
200425C	16714	Arm Shaft Connection Belt Pulley Position Screw, for 240361
200432C	16720	Needle Bar Crank Position Screw, for 202692
200446C	16688	Hook Bushing (upper) Position Screw, for 224024
200473X	16722	Face Plate Thumb Screw

## NUMERICAL LIST OF PARTS

No.	Plate	Name
200502X	16716	Arm Shaft Bushing (front) Oil Packing Thumb Screw
200530C	18580	Knee Lifter Rock Lever Rod Set Screw, for 228370
200582X	16715	Thread Guide Screw (3)
200594E	16687	Bobbin Case Tension Spring Screw, for 233765
200653C	16721	Presser Bar Lifter Hinge Screw
200833C	16714	Needle Bar Rock Frame Rock Shaft Crank Connection Hinge Screw (upper)
200861E	16722	Bed Slide (back) Locking Thumb Screw
200861E	16722	Cloth Guide Thumb Screw
200948F	16722	Presser Bar Spring Support Screw
200958C	16714	Feed Indicating Disc Set Screw, for 248449
200975F	16721	Presser Bar Lifting Bracket Guide Screw
200978X	16715	Thread Controller Disc Screw, for 240446
200984C	16687	Bobbin Case Tension Spring Regulating Screw, for 233765
200996C	16721	Lifting Bell Crank Cap Screw
201007C	16718	Feed Driving Rock Shaft Bushing (left) Pinch Screw Set Screw
201015X	16721	Vibrating Presser Foot Pinch Screw, for 240149 to 240154, 240157, 240518, 240569 and 240570
201129D	16719	Lifting Eccentric Set Screw, for 240744
201141C	16719	Needle Bar Rock Frame Slide Block Stud, for 210920
201181C	16717	Feed Driving Connection Hinge Screw
201183D	16720	Needle Bar Connecting Link Oil Guard Screw
201199F	16715	Thread Controller Stud with 204925, for 240446
201220ALX	16717	Feed Lifting Cam Set Screw, for 224154
201220ALX	16688	Hook Driving Pinion Position Screw, for 240167
201220ALX	16717	Hook Driving Shaft Ball Bearing Collar Position Screw, for 240060
201222C	16717	Hook Driving Gear Position Screw, for 223867
201224X	16715	Tension Stud, for 240023
201253F	16687	Hook Gib Screw, for 240557
201254C	16717	Safety Clutch Hook Driving Shaft Position Collar Set Screw, for 265032
201349C	16688	Bobbin Case Opener Lever Driving Screw Stud, for 224005

NUMERICAL LIST OF PARTS

5

No.	Plate	Name
201350F	16720	Needle Set Screw, for 240498
201407C	16714	Needle Bar Rock Frame Rock Shaft Crank Connection Hinge Screw (lower)
201409F	16687	Hook Needle Guard Screw, for 240557
201410F	16722	Presser Bar Spring Regulating Screw
201499X	16713	Bobbin Winder Tension Stud, for 225461
201517E	16714	Needle Bar Rock Frame Rock Shaft Crank Connection Hinge Screw (lower) Nut
201518E	16718	Feed Bar Hinge Screw Nut, for 240233
201518E	16717	Feed Driving Connection Hinge Screw Nut
201522E	16714	Needle Bar Rock Frame Rock Shaft Crank Connection Hinge Screw (upper) Nut
201524E	16719	Lifting Bell Crank Link Screw Stud Nut, for 240136
201542C	16688	Bobbin Case Opener Lever Driving Screw Stud Nut, for 224005
201572X	16713	Bobbin Winder Tension Stud Thumb Nut, for 225462
201572X	16715	Tension Thumb Nut, for 240446
201572X	16715	Thread Controller Stud Thumb Nut, for 240446
201572X	18515	Thread Lubricating Cup Oil Pad (upper) Tension Thumb Nut, for 236963
202005	16722	Arm Screw Washer (3)
*202056	-----	Bobbin Case Latch Pin, for 233765
202135	16722	Face Plate Position Pin, for 240247
202248	16716	Arm Cap Screw Washer
202253	16714	Arm Shaft Connection Belt Pulley Spring Flange, for 240361
202253	16717	Safety Clutch Pulley Spring Flange, for 240538
202277	16688	Bobbin Case Opener Lever Hinge Stud Oil Packing (wick) for 265088
202277	16714	Needle Bar Rock Frame Rock Shaft Crank Connection Oil Packing (wick) for 223693
202277	16721	Vibrating Presser Bar Oil Packing (wick)
202299	16720	Needle Bar Connecting Link Stud Oil Packing (wick) for 202333
202330	16720	Needle Bar Connecting Stud Oil Packing (wick) for 208552
202333	16720	Needle Bar Connecting Link Stud with 202299, for 202692
202337	16721	Presser Bar Position Guide
202338	16721	Presser Bar Position Guide Lever with 200086ALX

## NUMERICAL LIST OF PARTS

No.	Plate	Name
202399	16720	Take-up Lever Driving Stud with 244071, for 240178
202400	16720	Take-up Lever Hinge Stud with 202423, for 240178
202412	16716	Thread Guide
202423	16716	Arm Shaft Bushing (front) Oil Packing (wick) for 263096
202423	16720	Take-up Lever Hinge Stud Oil Packing (wick) for 202400
202478	16713	Bobbin Winder Stop Latch Trip Lever, for 259462
202625	16718	Feed Driving Rock Shaft Stop Collar with two 200383C (2)
202666	16720	Needle Bar Rock Frame Position Bracket
202668	16719	Needle Bar Rock Frame Slide Block, for 210920
202671	16721	Presser Bar Lifter
202692	16720	Needle Bar Crank with 200335C, 200374AL, 200383C, 200432C and 202333, for 240178
203101	16688	Bobbin Case Opener Lever Driving Screw Stud Oil Packing (wick) for 224005
203172	16720	Needle Bar Crank Friction Washer
203214	16687	Bobbin Case Tension Spring, for 233765
203216	16687	Bobbin Case Washer (cloth) for 233765
203470	16687	Bobbin
203473	16687	Bobbin Case Latch Plunger, for 233765
203474	16687	Bobbin Case Latch Spring, for 233765
203525	16687	Hook Gib, for 240557
203648	16687	Bobbin Case Latch, for 233765
204235	16722	Arm Position Pin (2)
204264	16721	Vibrating Presser Bar Extension Collar Pin, for 240185
204271	16715	Tension Release Washer, for 240446
204329	16716	Arm Shaft Bushing (front) Oil Pad
204925	16715	Thread Controller Stud Washer, for 201199F
206628	16722	Knee Lifter Connection Lever Lifting Rod Spring
206758	16714	Needle Bar Rock Frame Rock Shaft Crank Connection Hinge Screw (lower) Oil Packing (wick)
207072	16721	Presser Bar Bushing (upper)
208552	16720	Needle Bar Connecting Stud with 200086ALX and 202330, for 240178
208566	16721	Presser Bar with 200074F
210920	16719	Needle Bar Rock Frame Slide Block 202668 with 201141C, for 223691

## NUMERICAL LIST OF PARTS

7

No.	Plate	Name
210949	16721	Presser Bar Spring Bracket with 200086ALX
210954	16715	Thread Guide
222712	18515	Thread Lubricating Cup Oil Pad (upper) Tension Spring, for 236963
223438	16715	Tension Spring, for 240446
223623	16688	Bobbin Case Opener Lever Link, for 240560
223650	16718	Feed Driving Rock Shaft, for 240233
223655	16718	Feed Lifting Cam Oiling Felt, for 267273
223690	16719	Needle Bar Rock Frame Rock Shaft, for 223691
223691	16719	Needle Bar Rock Frame Rock Shaft 223690 with 200387C and 210920
223692	16719	Needle Bar Rock Frame Rock Shaft Crank with 200029E
223693	16714	Needle Bar Rock Frame Rock Shaft Crank Connection with 202277
223703	16715	Tension Release Lever, for 240446
223704	16715	Tension Release Plunger, for 240446
223706	16715	Thread Controller Disc, for 240446
223811	16722	Bed Slide (back) Stop
223812	16722	Bed Slide (back) Stop Spring
223850	16688	Hook Saddle with 200009E, for 224024
223867	16717	Hook Driving Gear (spiral) with 200362C and 201222C
224002	16716	Arm Cap
224004	16688	Bobbin Case Opener, for 240560
224005	16688	Bobbin Case Opener Lever with 201349C, 201542C and 203101, for 240560
224019	16688	Hook Bushing (lower) (bronze) for 224024
224020	16688	Hook Bushing (upper) (bronze) for 224024
224022	16688	Hook Driving Pinion Thrust Washer, for 240560
224024	16688	Hook Saddle 223850 with 200364C, 200446C, 224019 and 224020, for 240560
224040	16715	Thread Guide
224121	16644	Drip Pan, 20 in. long with four 3/4 in. wire nails
224139	16717	Arm Shaft Connection Belt Timing Plate
224141	16718	Feed Driving Rock Shaft Crank with 200019E
224154	16717	Feed Lifting Cam with 201220ALX
224195	16714	Arm Shaft Connection Belt (reinforced neoprene)
224392	16716	Arm Shaft Oil Packing (wick) for 240360

## NUMERICAL LIST OF PARTS

No.	Plate	Name
224411	16722	Knee Lifter Connection Lever Lifting Rod Roller, for 224413
224412	16722	Knee Lifter Connection Lever Lifting Rod Roller Bracket with 200113F, for 224413
224413	16722	Knee Lifter Connection Lever Lifting Rod Roller Bracket complete, Nos. 200270X, 224411 and 224412
225381	16713	Bobbin Winder Spindle, for 259462
225444	16713	Bobbin Winder Stop Latch, for 259462
225453	16713	Bobbin Winder Frame with 244071 and 259660, for 259462
225454	16713	Bobbin Winder Frame Hinge Pin, for 259462
225455	16713	Bobbin Winder Frame Spring, for 259462
225456	16713	Bobbin Winder Frame Spring Plunger for 259462
225458	16713	Bobbin Winder Stop Latch Thumb Lever, for 259462
225459	16713	Bobbin Winder Stop Latch Thumb Lever Hinge Stud, for 259462
225459	16713	Bobbin Winder Stop Latch Thumb Lever Joint Stud, for 259462
225461	16713	Bobbin Winder Tension Bracket with 201499X, for 225462
225462	16713	Bobbin Winder Tension Bracket complete, Nos. 13710, 201572X, 225461 and two 2102, for 259462
225498	16006	Screw Driver (7-1/4 in. long)
225554	16006	Wrench
225585	16688	Hook Saddle Screw Washer
225837	16718	Feed Lifting Cam Fork Screw Washer, for 240224
227227	16722	Knee Lifter Connection Lever Lifting Rod Spring Collar with 200113F
228026	16713	Bobbin Winder Tension Bracket Screw Washer, for 259462
228363	18580	Knee Lifter Rock Lever Hinge Pin, for 228709
228364	18580	Knee Lifter Rock Lever Knee Plate with 350231C, for 228710
228365	18580	Knee Lifter Rock Lever Rod, for 228710
228367	18580	Knee Lifter Rock Lever Stop Stud, for 228709
228370	18580	Knee Lifter Rock Lever Extension with 200530C, for 228710
228386	18580	Knee Lifter Rock Lever Spring, for 228709
228388	18580	Knee Lifter Rock Lever Knee Plate Arm, for 228710

## NUMERICAL LIST OF PARTS

9

No.	Plate	Name
228455	18580	Knee Lifter Rock Lever Position Spring, for 228709
228476	16006	Screw Driver (Bobbin Case)
228707	18580	Knee Lifter Rock Lever Bracket with 200347AL and three wood screws 7/8 in. No. 12, for 228709
228709	18580	Knee Lifter Rock Lever Bracket 228707 with 228363, 228367, 228386, 228455 and 228713, for 228710
228710	18580	Knee Lifter Rock Lever complete, Nos. 228364, 228365, 228370, 228388 and 228709
228713	18580	Knee Lifter Rock Lever with two 350231C, for 228709
231337	16006	Cloth Guide
*233764	-----	Bobbin Case, for 233765
233765	16687	Bobbin Case complete, Nos. 200594E, 200984C, 202056, 203214, 203216, 203473, 203474, 203648, 233764, 241674, 241675 and two 350405C, for 240558
235576	16721	Tension Release Lever Rod
236060	16715	Tension Disc Position Pin, for 240023
236955	18515	Thread Lubricating Cup with 200059C and 350575C, for 236963
236957	18515	Thread Lubricating Cup Oil Pad (felt) for 236961 and 236963
236959	18515	Thread Lubricating Cup Oil Pad (upper) Reinforcing Plate, for 236961
236961	18515	Thread Lubricating Cup Oil Pad (upper) complete, Nos. 236957 and 236959, for 236963
236962	18515	Thread Lubricating Cup Thread Guide, for 236963
236963	18515	Thread Lubricating Cup complete, Nos. 201572X, 222712, 236955, 236961, 236962 and three 236957
*237195	16719	Lifting Eccentric, for 240744
237529	16717	Hook Driving Shaft Bushing (front)
237836	16722	Presser Bar Spring (flat)
238251	16720	Needle Bar Connecting Link, for 240178
240003	16722	Bed Slide (back)
240004	16722	Bed Slide (front)
240023	16715	Tension Bracket with 201224X and 236060, for 240446
240034	16715	Thread Retainer
*240053	16716	Arm Shaft Bushing (back) for 240057
*240054	16716	Arm Shaft Ball Bearing Collar with two 200378C, for 240055

## NUMERICAL LIST OF PARTS

No.	Plate	Name
240055	16716	Arm Shaft Ball Bearing Collar 240054 with 249440, for 240057
240056	16716	Arm Shaft Ball Bearing Retaining Washer, for 240057
240057	16716	Arm Shaft Bushing (back) (ball bearing) complete, Nos. 240053, 240055 and 240056
*240060	-----	Hook Driving Shaft Ball Bearing Collar with 200378C and 201220ALX, for 240061
240061	16717	Hook Driving Shaft Ball Bearing Collar 240060 with 249440, for 240563
240067	16722	Knee Lifter Connection Lever
240104	16722	Face Plate
240113	16696	Feed Dog, 46 needle hole, for needle sizes 16 and 18, for 240144
240114	16696	Feed Dog, 50 needle hole, for needle sizes 14 and 15, for 240144
240115	16696	Feed Dog, 50 needle hole, for needle sizes 14 and 15, for 240145
240116	16696	Feed Dog, 46 needle hole, for needle sizes 16 and 18, for 240145
240117	16696	Feed Dog, 40 needle hole, for needle sizes 20 and 22, for 240145
240118	16696	Feed Dog, 46 needle hole, for needle sizes 16 and 18, for 240143
240119	16696	Feed Dog, 40 needle hole, for needle sizes 20 and 22, for 240146
240120	16696	Feed Dog, 38 needle hole, for needle sizes 23 and 24, for 240146
240125	16719	Lifting Bell Crank Link
240126	16719	Lifting Eccentric Connection
240128	16694	Lifting Presser Foot, for closing gloves, for 240150 to 240152
240130	16694	Lifting Presser Foot, for cording and general upholstery, for 240154
240133	16694	Lifting Presser Foot, for 240153
240134	16694	Lifting Presser Foot, for cording 5/16 in. diam. groove, for 240157
240136	16719	Lifting Rock Shaft with 201524E and 350172C
240142	16721	Tension Release Slide Spring
240143	16696	Throat Plate, for 240118
240144	16718	Throat Plate, for 240113, 240114, 240147 and 264510
240145	16696	Throat Plate, for 240115 to 240117
240146	16696	Throat Plate, for 240119 and 240120
240147	16696	Feed Dog, 38 needle hole, for needle sizes 23 and 24, for 240144
240148	16694	Lifting Presser Foot, for 240149

## NUMERICAL LIST OF PARTS

11

No.	Plate	Name
240149	16694	Vibrating Presser Foot, 46 needle hole, with 201015X, for 240148
240150	16694	Vibrating Presser Foot, 38 needle hole, with 201015X, for closing gloves, for 240128
240151	16694	Vibrating Presser Foot, 50 needle hole, with 201015X, for 240128
240152	16694	Vibrating Presser Foot, 46 needle hole, with 201015X, for 240128
240153	16694	Vibrating Presser Foot, 40 needle hole, with 201015X, for 240133
240154	16694	Vibrating Presser Foot, 40 needle hole, with 201015X, for 240130
240157	16694	Vibrating Presser Foot, 40 needle hole, with 201015X, for cording, 5/16 in. diam. groove, for 240134
240167	16688	Hook Driving Pinion (spiral) with 200382ALX and 201220ALX, for 240560
240171	16719	Lifting Eccentric Connection Crank with 200029E and 248821
240174	16719	Lifting Rock Shaft Bushing (2)
240178	16720	Needle Bar Crank 202692 with 202399, 202400, 208552, 238251 and 241518
240183	16721	Vibrating Presser Bar
240184	16721	Vibrating Presser Bar Connecting Link
240185	16721	Vibrating Presser Bar Extension with 204264 and 240186
240186	16721	Vibrating Presser Bar Extension Collar, for 240185
240188	16721	Vibrating Presser Bar Spring
240205	16721	Lifting Bell Crank
240223	16718	Feed Bar, for 240224
240224	16718	Feed Bar 240223 with 225837, 267273 and 350197E, for 240233
240225	16717	Feed Driving Connection with 240226 and 240227
240226	16717	Feed Driving Connection Oiling Felt, for 240225
240227	16717	Feed Driving Connection Oiling Felt Retaining Wire, for 240225
240228	16718	Feed Driving Crank with 200019E
240231	16717	Feed Driving Eccentric Friction Gib
240233	16718	Feed Driving Rock Shaft 223650 with 201518E, 240224 and 350393C
240235	16717	Feed Regulating Stud
240241	16717	Hook Driving Shaft
240243	16717	Hook Saddle Bearing
240244	16717	Hook Driving Shaft Lock Stud
240245	16717	Feed Regulating Stud Retaining Spring

## NUMERICAL LIST OF PARTS

No.	Plate	Name
240245	16717	Hook Driving Shaft Lock Stud Retaining Spring
*240247	-----	Arm with 202135
240248	16720	Needle Bar Rock Frame
240360	16716	Arm Shaft with 224392 and 350431E
240361	16714	Arm Shaft Connection Belt Pulley with 200327C, 200388C, 200425C and two 202253
240446	16715	Tension Bracket complete, Nos. 200978X, 201199F, 204271, 223438, 223703, 223704, 223706, 240023, 267368, two each 200309E, 201572X and 244048
240498	16720	Needle Bar with 200175D, 201350F and 240499
240499	16720	Needle Bar Thread Guide, for 240498
240500	16721	Tension Release Slide
*240511	-----	Bed
240516	16722	Knee Lifter Lifting Lever
240517	16721	Lifting Presser Foot, for cording and general upholstery, for 240518
240518	16721	Vibrating Presser Foot, 40 needle hole, with 201015X, for 240517
240519	16717	Safety Clutch Locking Lever, for 240539
240520	16717	Safety Clutch Locking Lever Connecting Link, for 240539
240522	16717	Safety Clutch Throw-in Latch Pin, for 240539
240536	16717	Safety Clutch Locking Lever Hinge Stud, for 240539
240538	16717	Safety Clutch Pulley with 202253 and two 200364C, for 240539
240539	16717	Safety Clutch complete, Nos. 240519, 240520, 240522, 240536, 240538, 240641, 265032, 265051, 265057 and 265102
240545	16717	Machine Pulley (aluminum alloy casting) for "V" belt (outside diam. of belt groove 3.268 in.) for 3/8 in. "V" belt (effective diam. 2-3/4 in., for 5/16 in. round belt) (rim diam. 5-15/64 in.) with 350540C and 350541C
240550	16722	Knee Lifter Connection Lever Lifting Rod
240554	16717	Feed Driving Eccentric
240555	16717	Feed Driving Eccentric Adjusting Disc
*240556	-----	Hook (sewing) for 240557
240557	16687	Hook 240556 with 203525, 240559, two each 201253F and 201409F, for 240558

## NUMERICAL LIST OF PARTS

13

No.	Plate	Name
240558	16687	Hook and Bobbin Case complete, Nos. 233765 and 240557, for 240560
240559	16687	Hook Needle Guard, for 240557
240560	16688	Hook Saddle complete, Nos. 200118D, 200364C, 223623, 224004, 224005, 224022, 224024, 240167, 240558 and 265088
240561	16717	Hook Driving Shaft Ball Bearing Retaining Washer, for 240563
240562	16717	Hook Driving Shaft Bushing (back) with three 200134F, for 240563
240563	16717	Hook Driving Shaft Bushing (back) (ball bearing) complete, Nos. 240061, 240561 and 240562
240565	16717	Feed Driving Flange with 200333C, 200346C, two each 350562XC and 350578XC
240566	16006	Wrench (1/16 in. hex.)
240567	-----	Lifting Presser Foot, for cording, 3/16 in. diam. groove, for 240569
240568	-----	Lifting Presser Foot, for cording, 1/4 in. diam. groove, for 240570
240569	-----	Vibrating Presser Foot, 40 needle hole, with 201015X, for cording, 3/16 in. diam. groove, for 240567
240570	-----	Vibrating Presser Foot, 40 needle hole, with 201015X, for cording, 1/4 in. diam. groove, for 240568
240641	16717	Safety Clutch Locking Lever Spring Stud (eccentric) for 240539
240743	16719	Lifting Eccentric Body with two 141553X, for 240744
240744	16719	Lifting Eccentric complete, Nos. 1103C, 201129D, 237195 and 240743
241352	16721	Presser Bar Bushing (lower)
241360	16715	Thread Controller Spring Stud
241518	16720	Take-up Lever, for 240178
241674	16687	Bobbin Case Oiling Felt, for 233765
241675	16687	Bobbin Case Oiling Felt Retainer, for 233765
244048	16715	Tension Disc, for 240446
244071	16713	Bobbin Winder Frame Oil Packing (wick) for 225453
244071	16720	Take-up Lever Driving Stud Oil Packing (wick) for 202399
244084	16718	Feed Driving Rock Shaft Bushing (left) Pinch Screw Set Screw Packing (fibre)
244084	16718	Feed Driving Rock Shaft Bushing (right) Pinch Screw Set Screw Packing (fibre)
244730	16718	Feed Driving Rock Shaft Bushing (left)

## NUMERICAL LIST OF PARTS

No.	Plate	Name
244730	16718	Feed Driving Rock Shaft Bushing (right)
248415	16717	Feed Driving Eccentric Adjusting Disc Spring
248416	16717	Feed Driving Eccentric Adjusting Disc Spring Collar with two 200382ALX
248425	16717	Feed Regulating Stud Spring
248425	16717	Hook Driving Shaft Lock Stud Spring
248437	16720	Needle Bar Rock Frame Hinge Stud
248449	16714	Feed Indicating Disc with 200958C
248821	16719	Lifting Eccentric Connection Crank Oil Packing (wick) for 240171
249440	16716	Arm Shaft Ball Bearing, for 240055
249440	16717	Hook Driving Shaft Ball Bearing, for 240061
255168	16717	Bed Oil Cup (4)
259428	16713	Bobbin Winder Brake (leather) for 259462
259429	16713	Bobbin Winder Brake Clamp, for 259462
259462	16713	Universal Bobbin Winder complete (for "V" belt drive) Nos. 200056E, 200082D, 200113F, 200299X, 202478, 225381, 225444, 225453 to 225456, 225458, 225462, 228026, 259428, 259429, 259662, 259930, two each 225459 and wood screws 3/4 in., No. 12, R. H. B.
259660	16713	Bobbin Winder Frame Oil Well Washer, for 225453
259662	16713	Bobbin Winder and Tension Bracket Base, for 259462
259930	16713	Bobbin Winder Pulley with 457AL, for 259462
263096	16716	Arm Shaft Bushing (front) with 202423
264510	16718	Feed Dog, 40 elongated needle hole, for needle sizes 23 and 24, for 240144
264526	16721	Presser Bar Lifting Bracket with 200054E
264718	16720	Needle Bar Connecting Link Oil Guard
265032	16717	Safety Clutch Hook Driving Shaft Position Collar with two 201254C, for 240539
265051	16717	Safety Clutch Throw-in Latch Spring, for 240539
265057	16717	Safety Clutch Throw-in Latch, for 240539
265088	16688	Bobbin Case Opener Lever Hinge Stud with 202277, for 240560
265102	16717	Safety Clutch Locking Lever Spring, for 240539

No.	Plate	Name
265314	16717	Hook Driving Shaft Lock Ratchet with 200354C and 200362C
267246	16715	Thread Guide (upper)
267273	16718	Feed Lifting Cam Fork with 200173D and 223655, for 240224
267368	16715	Thread Controller Spring, for 240446
350172C	16719	Lifting Bell Crank Link Screw Stud, for 240136
350197E	16718	Feed Lifting Cam Fork Screw, for 240224
350231C	18580	Knee Lifter Rock Lever Extension Set Screw, for 228713
350231C	18580	Knee Lifter Rock Lever Knee Plate Arm Set Screw, for 228713
350231C	18580	Knee Lifter Rock Lever Knee Plate Set Screw, for 228364
350299C	16721	Vibrating Presser Bar Thumb Screw (pressure regulating)
350393C	16718	Feed Bar Hinge Screw (driving) for 240233
350405C	16687	Bobbin Case Oiling Felt Retainer Screw, for 233765
350419X	16716	Machine Pulley Adjusting Screw
350431E	16716	Arm Shaft Oil Packing Stop Screw, for 240360
350540C	16716	Machine Pulley Position Screw, for 240545
350541C	16716	Machine Pulley Set Screw, for 240545
350562XC	16717	Feed Driving Eccentric Friction Gib Adjusting Screw Set Screw, for 240565
350575C	18515	Thread Lubricating Cup Oil Pad (upper) Tension Screw Stud, for 236955
350578XC	16717	Feed Driving Eccentric Friction Gib Adjusting Screw, for 240565

## ACCESSORIES

No.	Plate	Name
200157X	16722	Attachment Screw
200861E	16722	Bed Slide (back) Locking Thumb Screw
203470	16687	Bobbin (2)
259462	16713	Bobbin Winder Complete
231337	16006	Cloth Guide
200861E	16722	Cloth Guide Thumb Screw
224121	16644	Drip Pan, 20 in. long, with four 3/4 in. wire nails
224413	16722	Knee Lifter Connection Lever Lifting Rod Roller Bracket Complete
228710	18580	Knee Lifter Rock Lever Complete
12361	16722	Machine Hinge Connection (2)
41400	16006	Machine Rest Pin (wood)
135x17Y	-----	Needles, three each, sizes 21 and 22 with Supplementary Shoulder
120342	16006	Oiler (copper plated) with 120343
225498	16006	Screw Driver (7-1/4 in. long)
228476	16006	Screw Driver (Bobbin Case)
236963	18515	Thread Lubricating Cup Complete
240566	16006	Wrench (1/16 in. hex.)
225554	16006	Wrench (steel)

## FEED DOGS

240118	16696	Feed Dog, 46 needle hole, for needle sizes 16 and 18, for 240143
240114	16696	Feed Dog, 50 needle hole, for needle sizes 14 and 15, for 240144
240113	16696	Feed Dog, 46 needle hole, for needle sizes 16 and 18, for 240144
264510	16718	Feed Dog, 40 elongated needle hole, for needle sizes 23 and 24, for 240144
240147	16696	Feed Dog, 38 needle hole, for needle sizes 23 and 24, for 240144
240115	16696	Feed Dog, 50 needle hole, for needle sizes 14 and 15, for 240145
240116	16696	Feed Dog, 46 needle hole, for needle sizes 16 and 18, for 240145
240117	16696	Feed Dog, 40 needle hole, for needle sizes 20 and 22, for 240145

No.	Plate	Name
240119	16696	Feed Dog, 40 needle hole, for needle sizes 20 and 22, for 240146
240120	16696	Feed Dog, 38 needle hole, for needle sizes 23 and 24, for 240146

## PRESSER FEET

240128	16694	Lifting Presser Foot, for closing gloves, for 240150 to 240152
240130	16694	Lifting Presser Foot, for cording and general upholstery, for 240154
240133	16694	Lifting Presser Foot, for 240153
240134	16694	Lifting Presser Foot, for cording, 5/16 in. diam. groove, for 240157
240148	16694	Lifting Presser Foot, for 240149
240517	16694	Lifting Presser Foot, for cording and general upholstery, for 240518
240567	-----	Lifting Presser Foot, for cording, 3/16 in. diam. groove, for 240569
240568	-----	Lifting Presser Foot, for cording, 1/4 in. diam. groove, for 240570
240149	16694	Vibrating Presser Foot, 46 needle hole, with 201015X, for 240148
240150	16694	Vibrating Presser Foot, 38 needle hole, with 201015X, for closing gloves, for 240128
240151	16694	Vibrating Presser Foot, 50 needle hole, with 201015X, for 240128
240152	16694	Vibrating Presser Foot, 46 needle hole, with 201015X, for 240128
240153	16694	Vibrating Presser Foot, 40 needle hole, with 201015X, for 240133
240154	16694	Vibrating Presser Foot, 40 needle hole, with 201015X, for 240130
240157	16694	Vibrating Presser Foot, 40 needle hole, with 201015X, for cording, 5/16 in. diam. groove, for 240134
240518	16694	Vibrating Presser Foot, 40 needle hole, with 201015X, for 240517
240569	-----	Vibrating Presser Foot, 40 needle hole, with 201015X, for cording, 3/16 in. diam. groove, for 240567
240570	-----	Vibrating Presser Foot, 40 needle hole, with 201015X, for cording, 1/4 in. diam. groove, for 240568

## THROAT PLATES

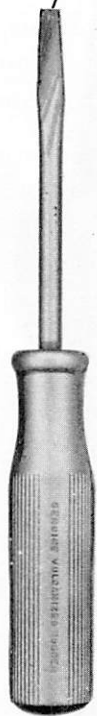
No.	Plate	Name
240143	16696	Throat Plate, for 240118
240144	16696	Throat Plate, for 240113, 240114, 240147 and 264510
240145	16696	Throat Plate, for 240115 to 240117
240146	16696	Throat Plate, for 240119 and 240120

**SINGER Needles should be used  
 in SINGER Machines  
 These Needles and their Containers  
 are marked with the  
 Company's Trademark "SIMANCO" 1**

**Needles in Containers marked  
 "FOR SINGER MACHINES"  
 are NOT SINGER made needles 2**

16006 - 1/2

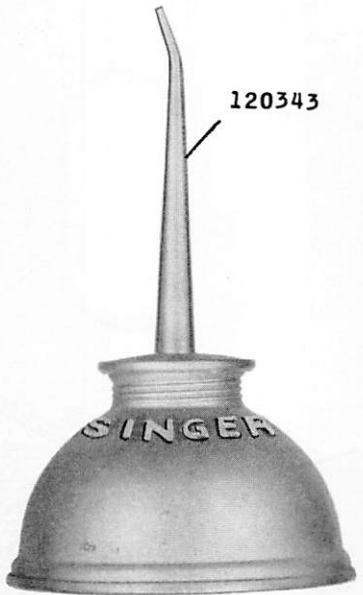
225498



228476



120342



120343

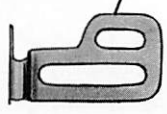
41400



225554



231337

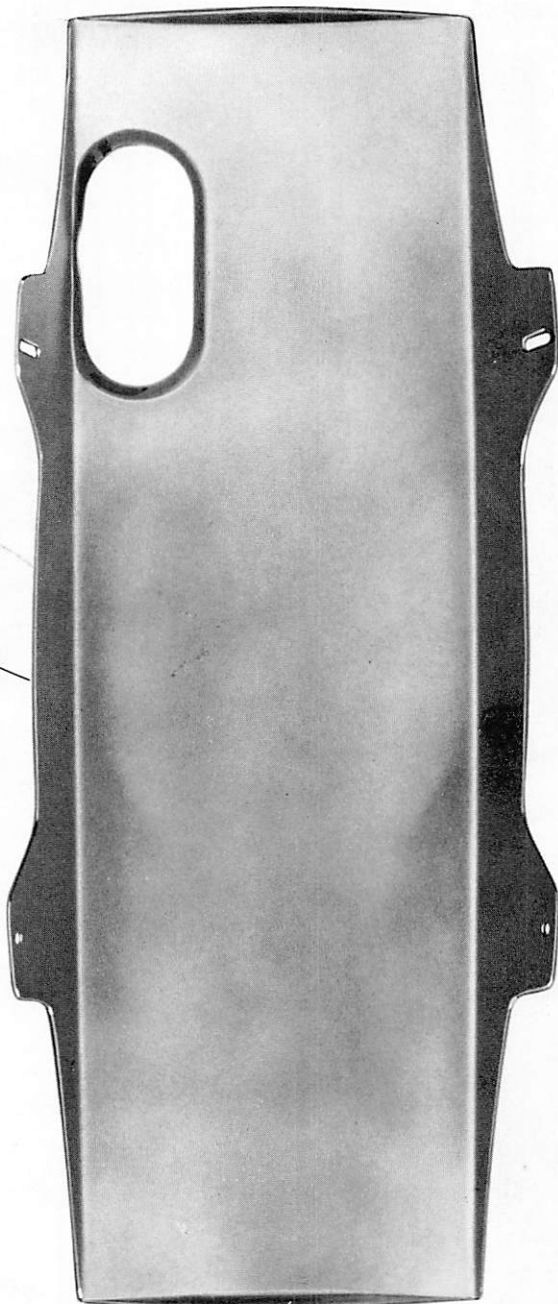


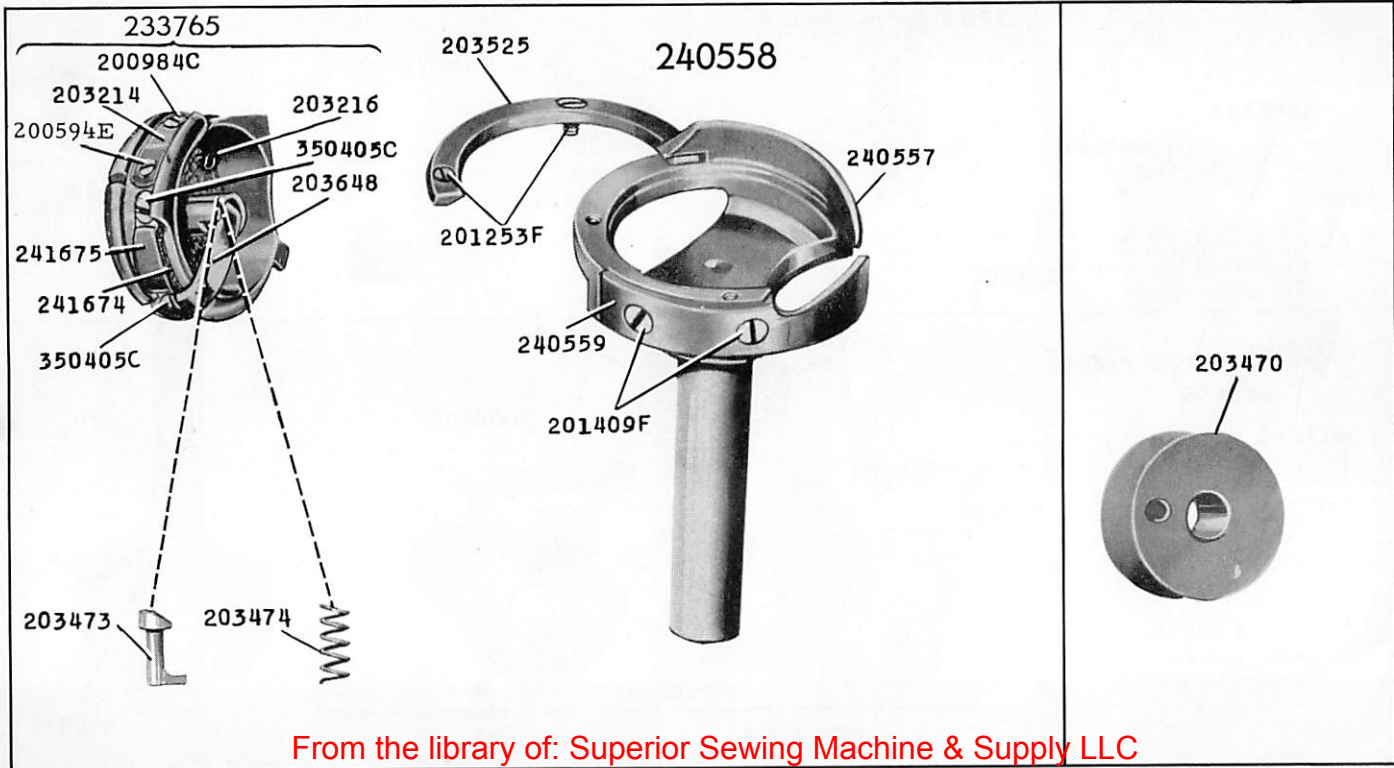
240566



16644 - 1/3

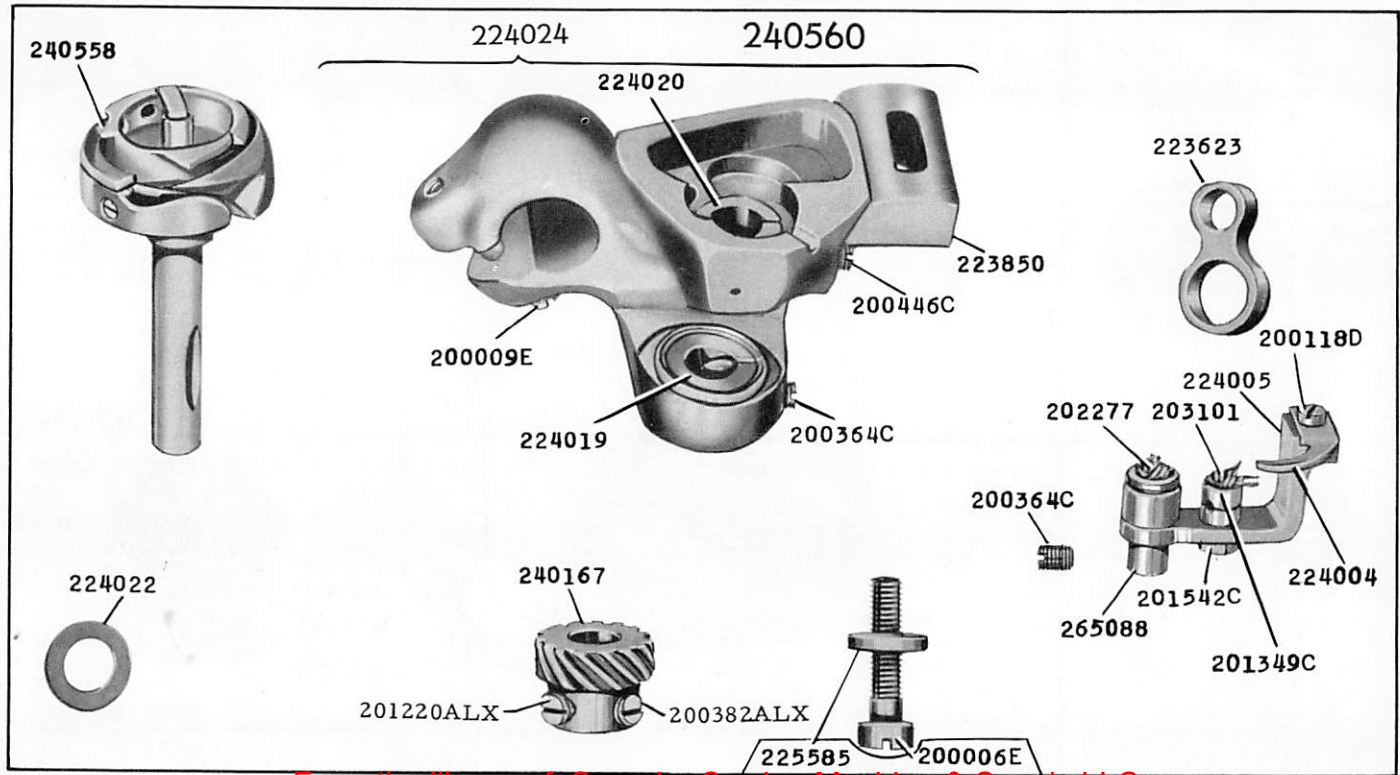
224121





From the library of: Superior Sewing Machine & Supply LLC

16687



16688 - 2/3

From the library of: Superior Sewing Machine & Supply LLC

240128



240130



240133



240134



240148



240517



240151-50  
240152-46  
240150-38



201015F

240154-40



240153-40



240157-40



240149-46

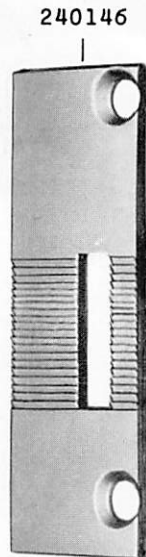
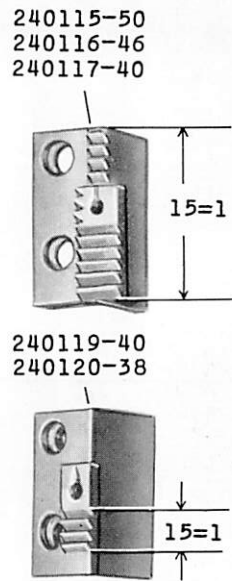
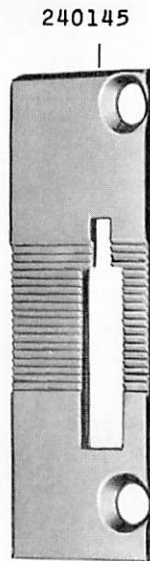
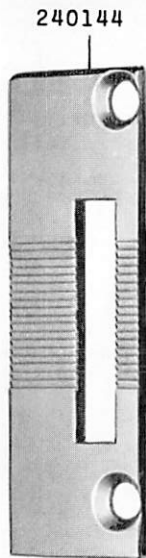
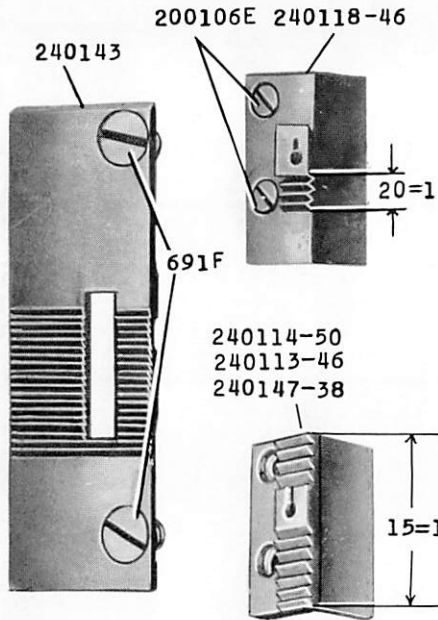


240518-40



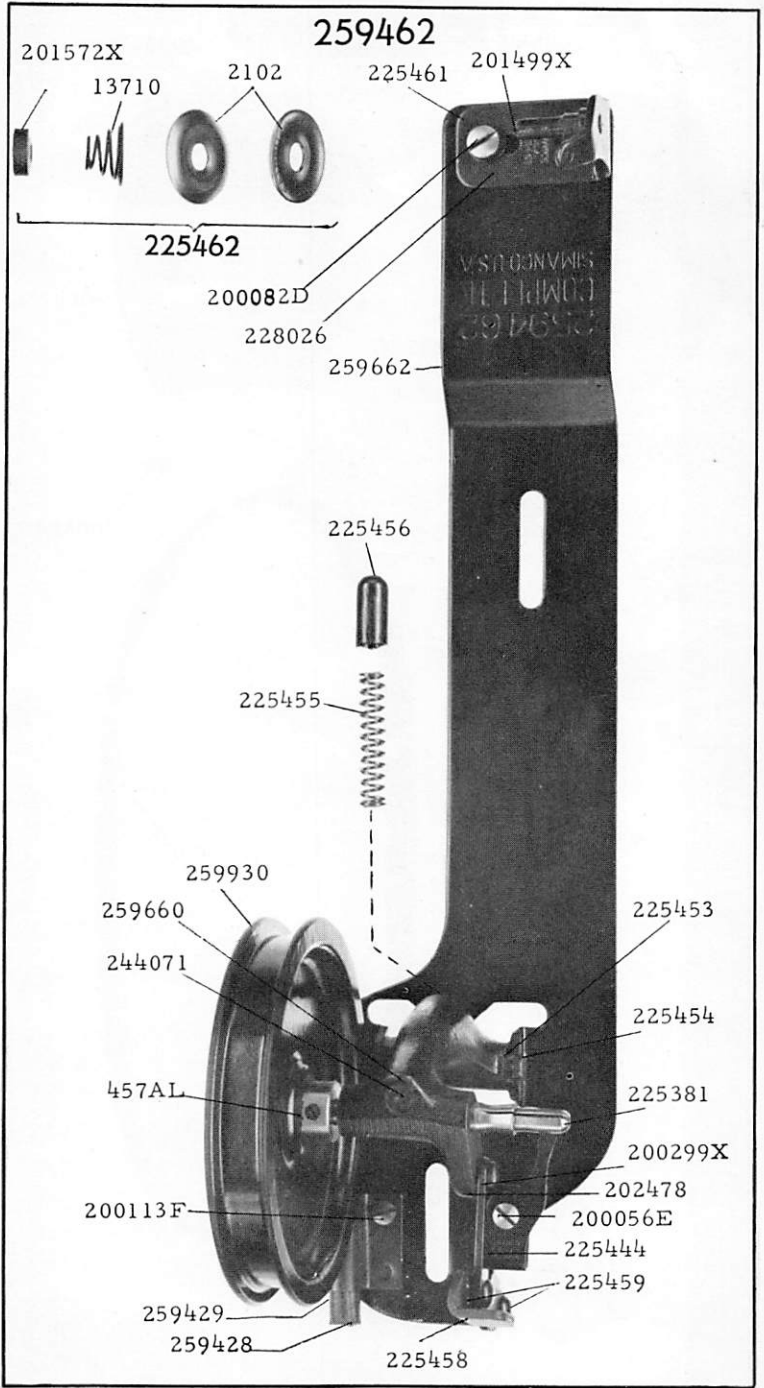
From the library of: Superior Sewing Machine & Supply LLC

16694 - 2/3

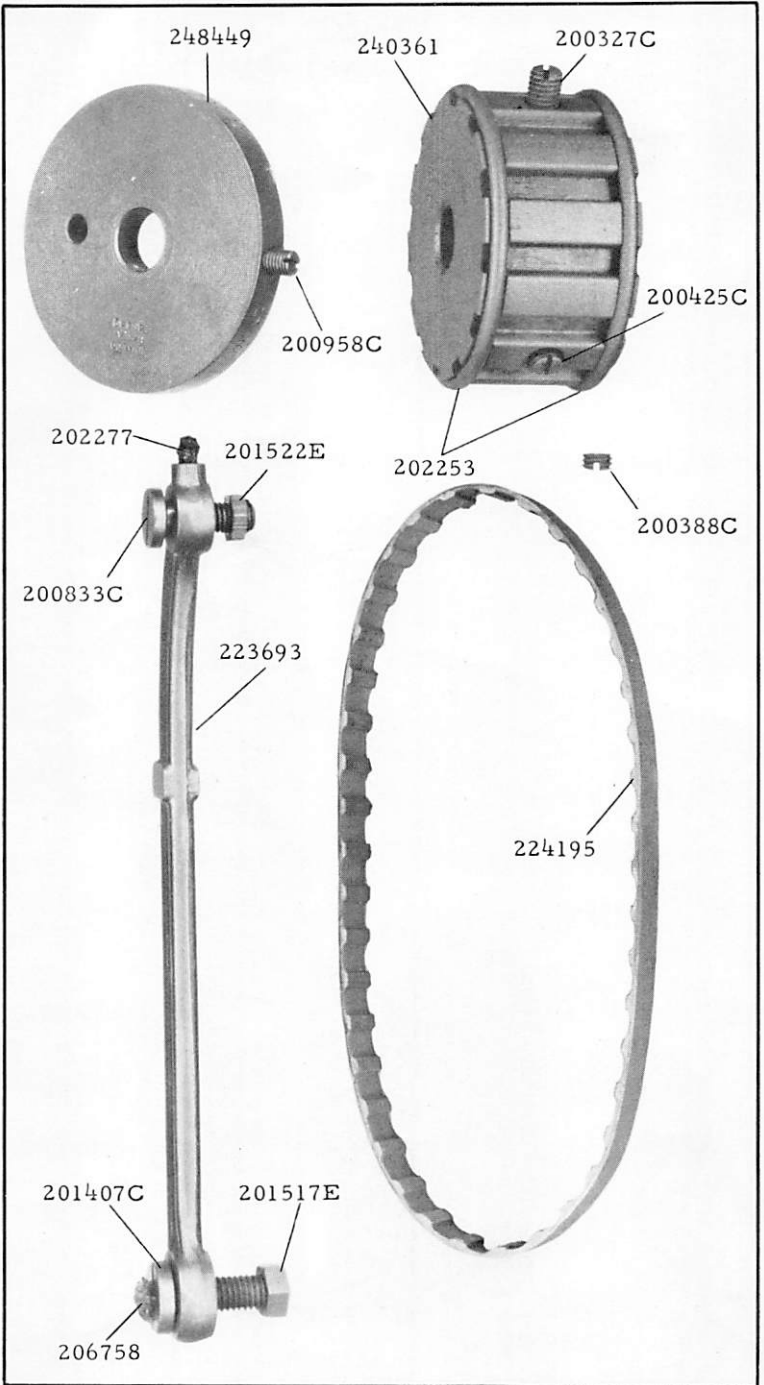


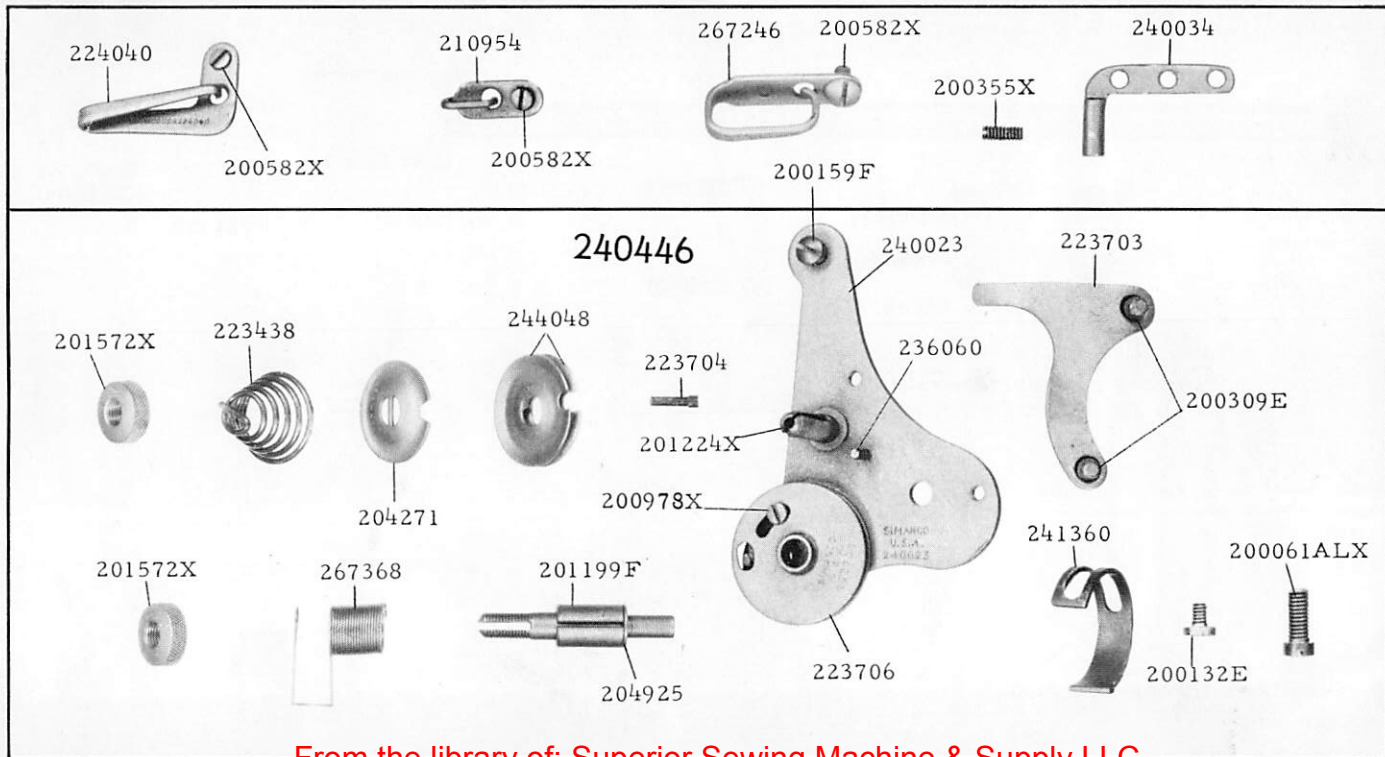
166991

16713 - 1/2

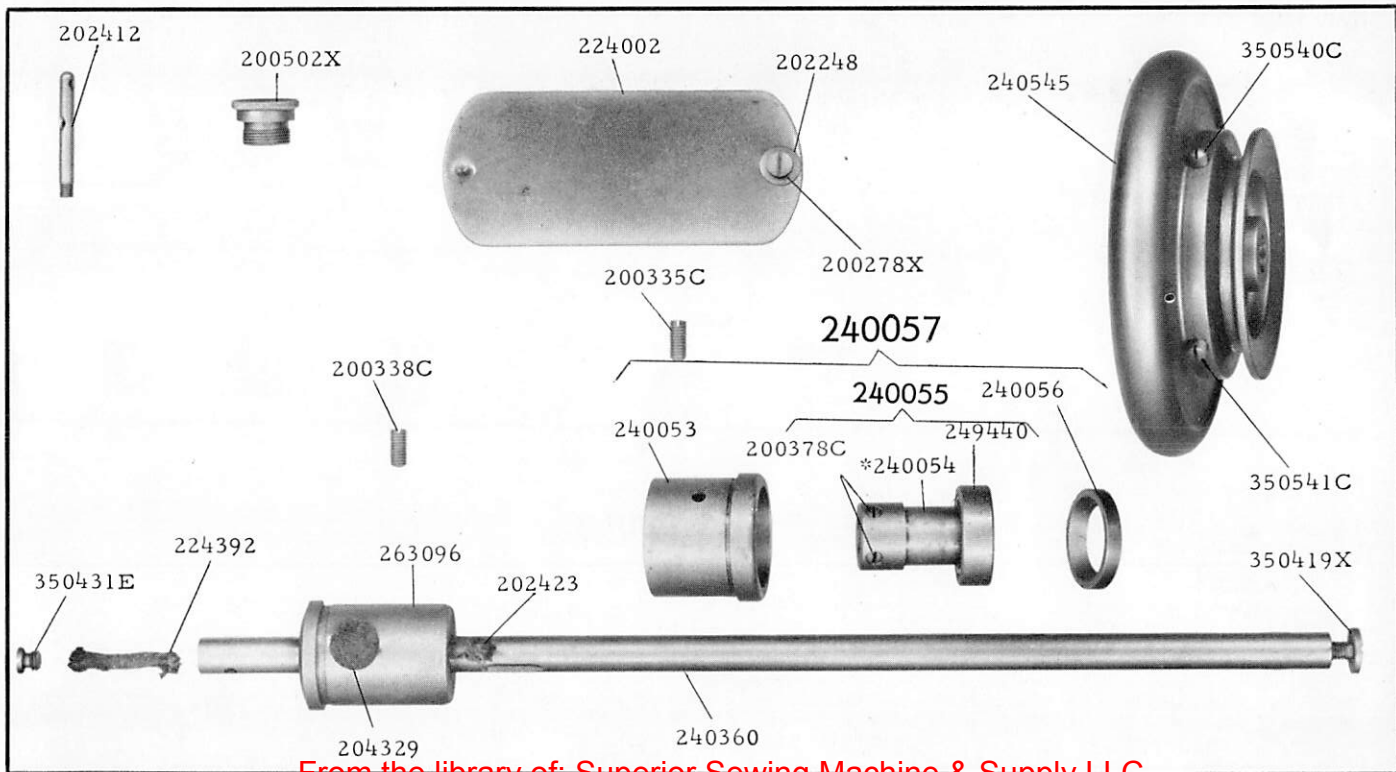


16714 - 5/8



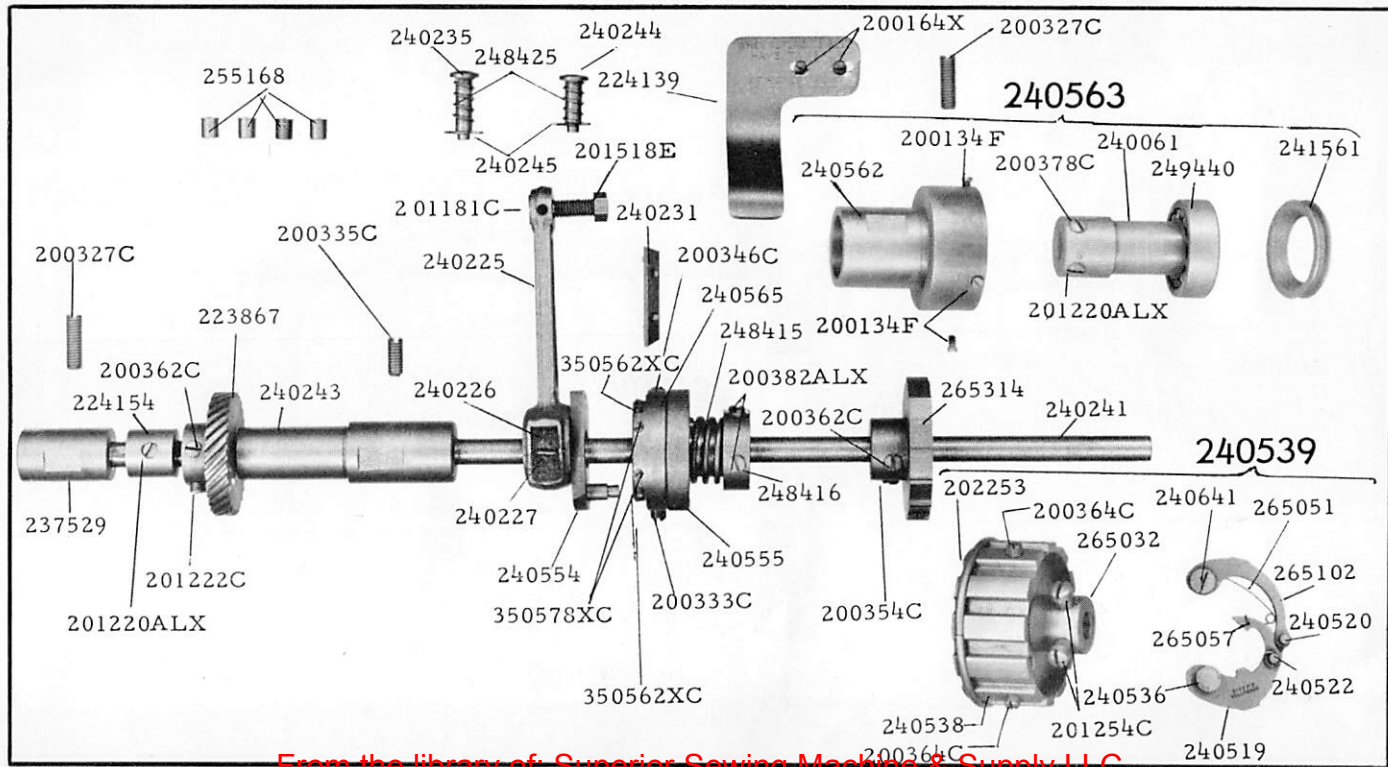


16715 - 2/3

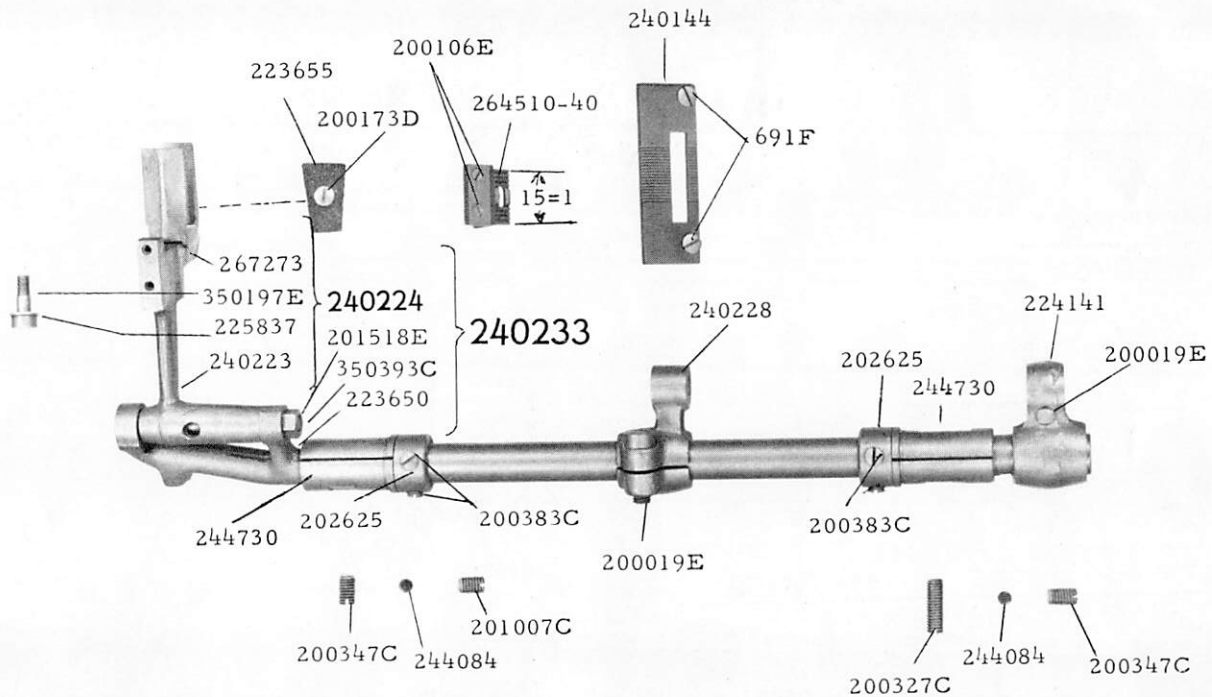


16716 - 3/8

From the library of: Superior Sewing Machine & Supply LLC

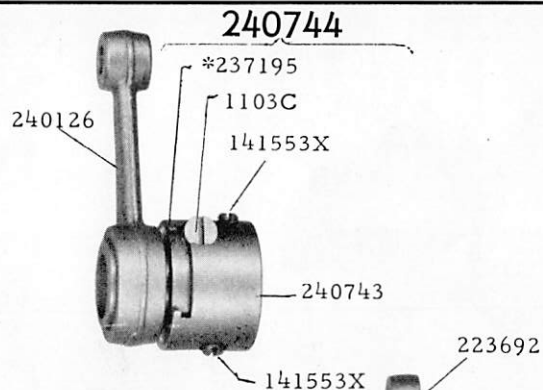
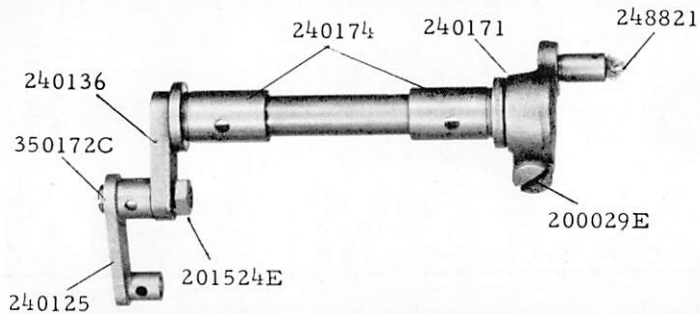


16717 - 3/8



16718 - 3/8

From the library of: Superior Sewing Machine & Supply LLC



223691

223690



210920

201141C

202668

200387C

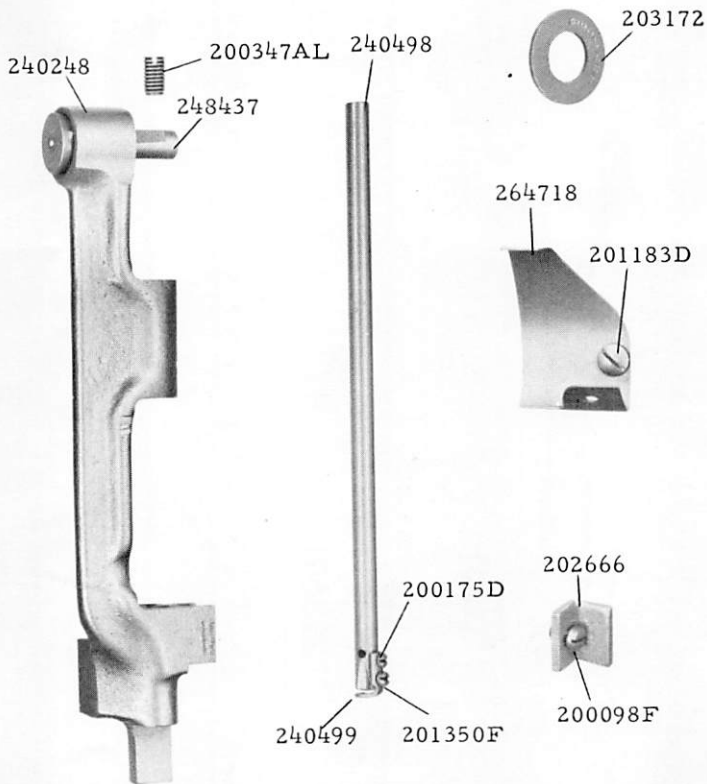
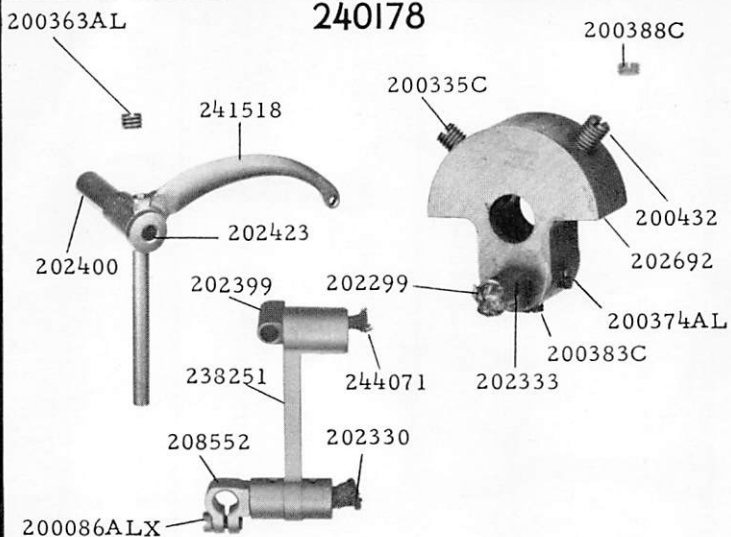
200029E

16719 - 1/2

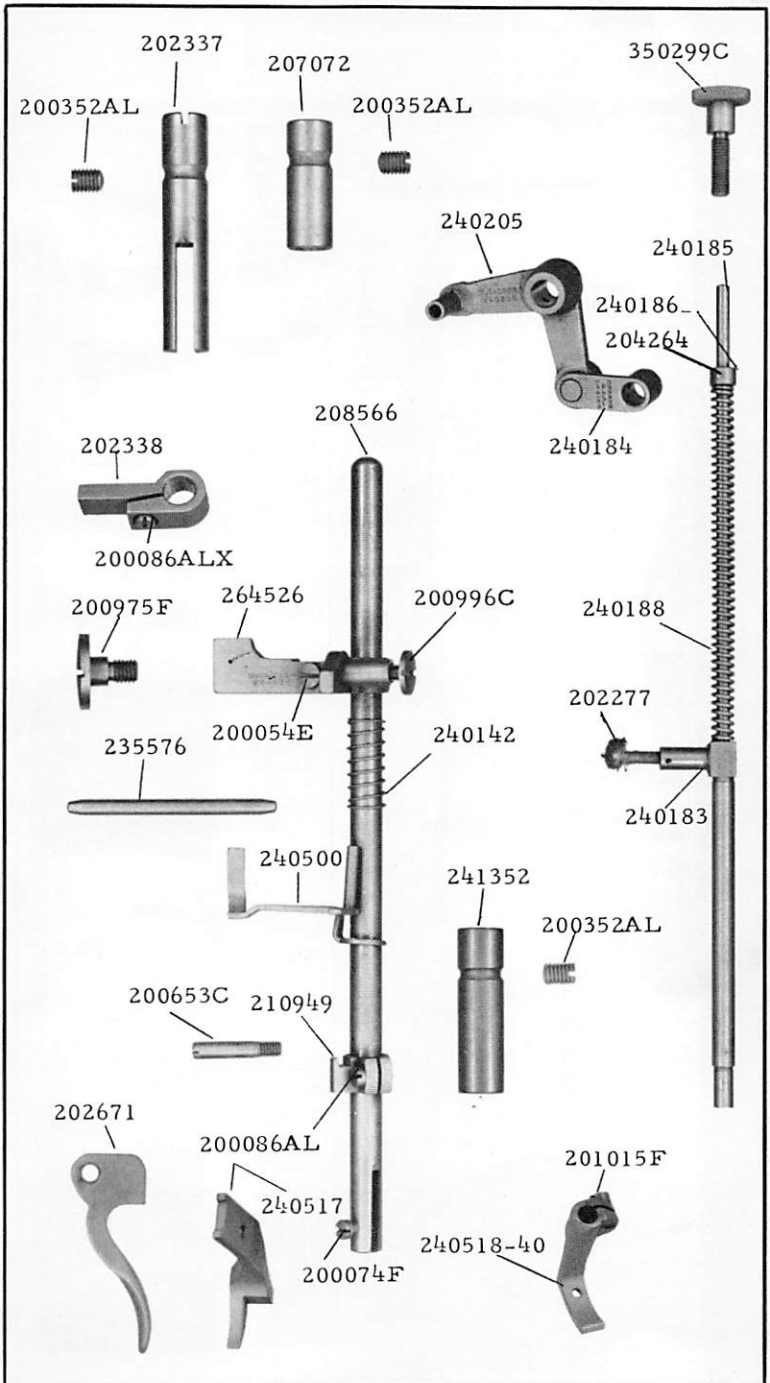
From the library of: Superior Sewing Machine & Supply LLC

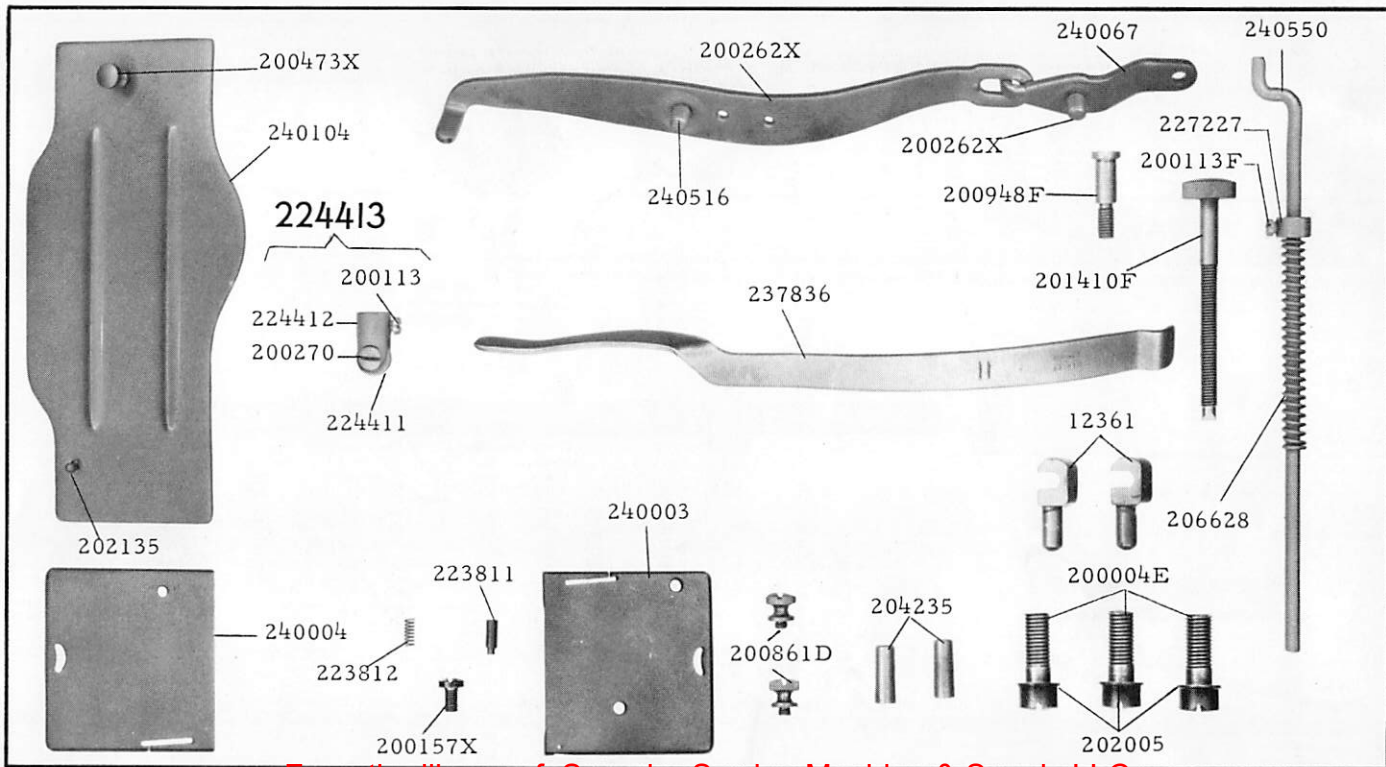
16720 - 1/2

240178



16721 - 1/2





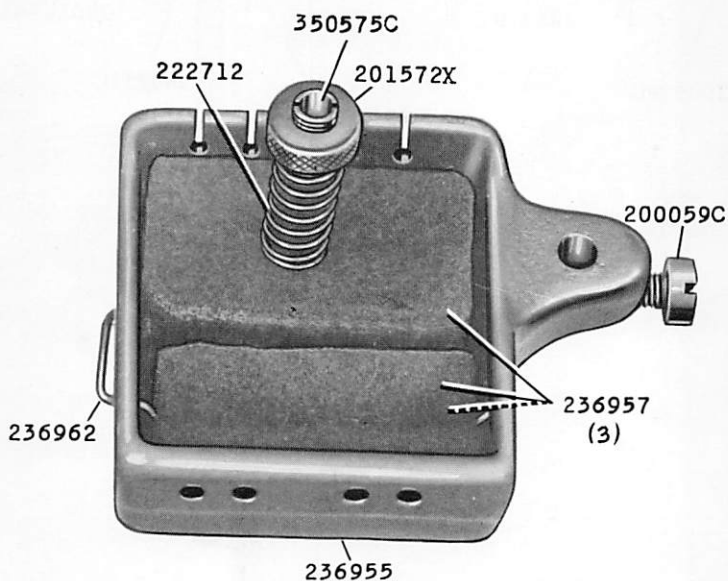
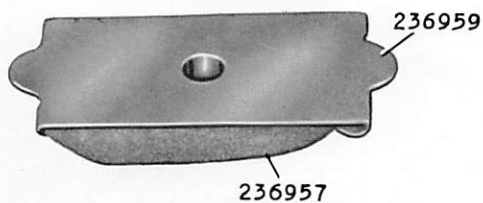
16722 - 3/8

From the library of: Superior Sewing Machine & Supply LLC

18515

236963

236961



18580-3/8

228710

228709

