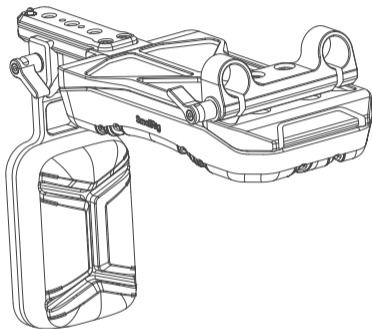


SmallRig



Universal Shoulder Pad (with 15mm Dual Rod Clamp)

肩托 (15mm 双管通用版)

Operating Instruction / 操作指引

- Thank you for purchasing SmallRig's product.
感谢您购买 SmallRig 产品。
- Please read this Operating Instruction carefully.
使用本产品之前，请仔细阅读操作指引。
- Please follow the safety warnings.
请注意所有警告提示并遵循使用操作指引的所有指令。

In the Box / 包装清单

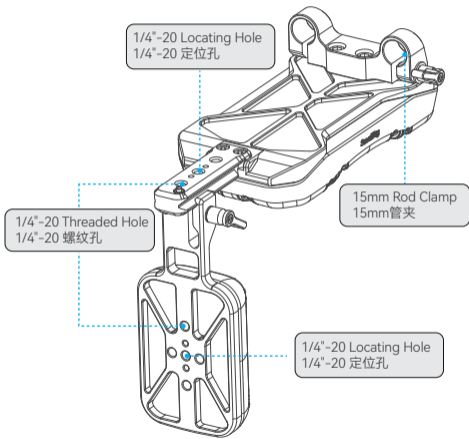
Shoulder Pad	× 1	Back Pad	× 1	Guarantee Card	× 1
肩托		背托		保修卡	

Specifications / 产品参数

Product Dimensions 产品尺寸	10.9 × 4.8 × 2.8in 276.0 × 122.0 × 72.0mm
Product Weight 产品重量	18.0 ± 0.2oz 510.0 ± 5.0g
Material(s) 主要材质	Aluminum Alloy, Stainless Steel, Silicone, PU 铝合金、不锈钢、硅胶、PU

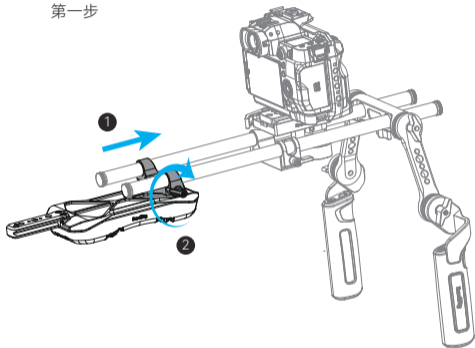
Compatibility / 适配性: 15mm Rod / 15mm管

Product Details / 产品介绍



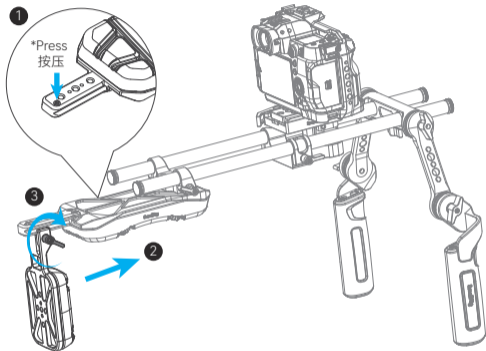
Installation / 安装步骤

(1) Step 1
第一步



- * The package does not include the camera, lens, 15mm rods, handle kit, and baseplate.
- * 相机机身、镜头、15mm管、手柄套件、安装座需另购

(2) Step 2
第二步



- * The package does not include the camera, lens, 15mm rods, handle kit, and baseplate.
- * 相机机身、镜头、15mm管、手柄套件、安装座需另购

Manufacturer Email: support@smallrig.com

Manufacturer: Shenzhen Leqi Innovation Co., Ltd.

制造商: 深圳市乐其创新股份有限公司

Add: Rooms 101, 701, 901, Building 4, Gonglianfuji Innovation Park, No. 58,
Ping'an Road, Dafu Community, Guanlan Street, Longhua District,
Shenzhen, Guangdong, China.

地址: 中国广东省深圳市龙华区观澜街道大富社区平安路58号共联富基创新园4栋
101、701、901

Consignor: Shenzhen LC Co., Ltd.

委托商: 深圳市乐长科技有限公司

Add: Room 201, Building 4, Gonglianfuji Innovation Park, No. 58, Ping'an Road,
Dafu Community, Guanlan Street, Longhua District, Shenzhen,
Guangdong, China.

地址: 中国广东省深圳市龙华区观澜街道大富社区平安路58号共联富基创新园4栋201

执行标准: GB/T 26572-2011

中国制造

Made in China

RoHS



FR

LE TRI
+ FACILE



Boite 1



Cable 1



Papier 5



BAC
DE TRI

Séparez les éléments avant de trier

合格证
已检验

RECICLA
Al Azul

