



13-AMP ELECTRIC LEAF MULCHER/SHREDDER

Model SDJ616-RM

Form No. SJ-SDJ616-RM-880E-MR2

A Division of Snow Joe®, LLC

OPERATOR'S MANUAL

IMPORTANT!

Safety Instructions

All Operators Must Read These Instructions Before Use

General Power Tool Safety Warnings

⚠ CAUTION!

Before using this electric tool, carefully read and observe the safety rules and instructions listed below. Before starting work, make sure that you know how to stop the machine in case of an emergency. The incorrect use of this machine could cause serious injury. Keep these instructions in a safe place and on hand so that they can be consulted when required.

⚠ WARNING!

Read all safety warnings and

all instructions Failure to follow all warnings and instructions may result in electric shock, fire, or serious injury.

⚠ WARNING! When using electric gardening appliances, basic safety precautions should always be followed to reduce the risk of fire, electric shock, and personal injury, including the following:

⚠ WARNING!

This electric leaf mulcher/shredder is designed to shred leaves, thatch, grass clippings, and pine needles. It cannot be used to shred branches, sticks, or brush.

For All Double-Insulated Appliances

- 1. Replacement parts** – When servicing, use only identical replacement parts.
- 2. Polarized appliance connections** – To reduce the risk of electric shock, this appliance has a polarized plug (one blade is wider than the other) and will require the use of a polarized extension cord. The appliance plug will fit into a polarized extension cord only one way. If the plug does not fit fully into the extension cord, reverse the plug. If the plug still does not fit, obtain a correct polarized extension cord. A polarized extension cord will require the use of a polarized wall outlet. This plug will fit into the polarized wall outlet only one way. If the plug does not fit fully into

the wall outlet, reverse the plug. If the plug still does not fit, contact a qualified electrician to install the proper wall outlet. Do not change the equipment plug, extension cord receptacle, or extension cord plug in any way.

For All Appliances

- 1. Avoid dangerous environments** – Do not use electrical appliances in damp or wet locations.
- 2. Do not use in the rain.**
- 3. Keep children and pets away** – All bystanders including children and pets should be kept a safe distance away from the work area.
- 4. Dress properly** – Do not wear loose clothing or jewelry. They can be caught in moving parts. Use of rubber gloves and substantial footwear is recommended when working outdoors. Wear protective hair covering to contain long hair.
- 5. Use safety glasses** – Always wear protective eyewear and use a face or dust mask when operating an appliance that generates a significant amount of dust.
- 6. Use the right appliance** – Do not use the appliance for any job except that for which it is intended.
- 7. ⚠ WARNING!** – To reduce the risk of electric shock, use only with an extension cord intended for outdoor use, such as an extension cord of cord type SW-A, SOW-A, STW-A, STOW-A, SJW-A, SJOW-A, SJTW-A, or SJTOW-A.
- 8. Avoid unintentional starting** – Do not carry a plugged-in appliance with your finger on the switch. Make sure the switch is off before plugging in the appliance.
- 9. Do not abuse the cord** – Never carry the appliance by its cord or yank the cord to disconnect it from the receptacle. Keep the cord away from heat, oil, and sharp edges.
- 10. Do not grasp the exposed cutting blades or cutting edges when picking up or holding the appliance.** (This precaution only applies for grass shears and similar appliances.)
- 11. Do not force the appliance** – It will do the job better and with less likelihood of a risk of injury if it is used at the rate for which it was designed.
- 12. Do not overreach** – Keep proper footing and balance at all times.
- 13. Stay alert** – Watch what you are doing. Use common sense. Do not operate the appliance when you are tired.
- 14. Disconnect the appliance** – Disconnect the appliance from the power supply when it is not in use, before servicing it, and when changing accessories.

15. **Store idle appliances indoors** – When not in use, appliances should be stored indoors in a dry and high or locked-up place out of the reach of children.
16. **Maintain appliance with care** – Inspect extension cords periodically and immediately replace them if they are damaged. Only use an authorized service facility to repair the appliance. Keep the handles of the unit dry, clean, and free from oil and grease.
17. **Check for damaged parts** – Before using the appliance, carefully check the device to confirm that it will operate properly and perform its intended function. Check for alignment of moving parts, binding of moving parts, breakage of parts, mounting, and any other condition that may affect its operation. Any part that is damaged should be properly repaired or replaced by an authorized service center unless indicated elsewhere in this manual.

Electrical Safety

1. Ground fault circuit interrupter (GFCI) protection should be provided on the circuit(s) or outlet(s) to be used for the leaf mulcher/shredder. Receptacles are available having built-in GFCI protection and may be used for this measure of safety.
2. To prevent electric shock, use only with an extension cord suitable for outdoor use, such as SW, SOW, STW, STOW, SJTW or SJTOW.

Before use, check that the extension cord is in good condition. When using an extension cord, make sure to use one heavy enough to carry the current your product will draw. For lengths less than 50 feet, a No. 14 AWG extension cord should be used. An undersized cord will cause a drop in line voltage resulting in loss of power and overheating.

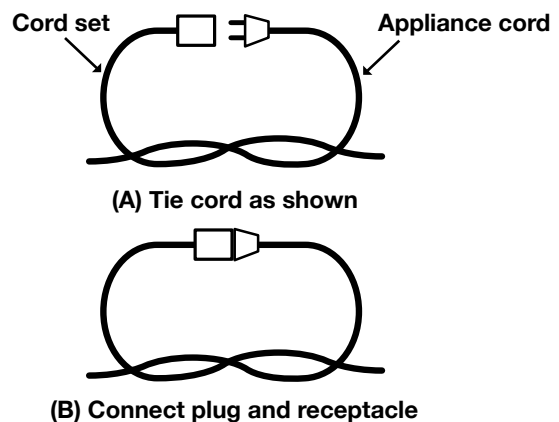
WARNING!		
<p>Electric shock may cause SEVERE INJURY or DEATH. Heed these warnings:</p> <ul style="list-style-type: none"> • Do not allow any part of the leaf mulcher/shredder to make contact with water while it is in operation. If the appliance becomes wet while turned off, wipe dry before starting. • Use only a UL-rated extension cord for outdoor, all-weather use. Do not use an extension cord over 100 ft (30 m). • Do not touch the appliance or its plug with wet hands or while standing in water. Wearing rubber boots offers some protection. 		
EXTENSION CORD CHART		
Cord Length:	50 ft (15m)	100 ft (30 m)
Min. Wire Gauge (A.W.G.):	14	12

3. To reduce the risk of electric shock, this appliance has a polarized plug (i.e. one blade is wider than the other). Use this appliance only with a polarized, UL-listed (CSA certified in Canada) extension cord recommended for outdoor use. The appliance plug will fit into a polarized extension cord only one way.

If the appliance plug does not fit fully into the extension cord, reverse the plug. If the plug still does not fit, obtain a correct polarized extension cord. A polarized extension cord will require the use of a polarized wall outlet. The extension cord plug will fit into the polarized wall outlet only one way. If the plug does not fit fully into the wall outlet, reverse the plug. If the plug still does not fit, contact a qualified electrician to install the proper wall outlet. Do not modify the appliance plug, extension cord receptacle or extension cord plug in any way.

4. To prevent the appliance cord from disconnecting from the extension cord during operation, make a knot with the two cords as shown in Table 1.

Table 1. Method of Securing Extension Cord



5. Do not abuse the cord. Never pull the appliance by the cord or yank the cord to disconnect it from the receptacle. Keep the cord away from heat, oil and sharp edges.

Double-Insulated Appliances

In a double-insulated appliance, two systems of insulation are provided instead of grounding. No grounding means is provided on a double-insulated appliance, nor should a means for grounding be added to the appliance. Servicing a double-insulated appliance requires extreme care and knowledge of the system, and should be performed only by qualified service personnel at an authorized Snow Joe®/ Sun Joe® service dealer. Replacement parts for a double-insulated appliance must be identical to the parts they replace. A double-insulated appliance is marked with the words “Double Insulation” or “Double Insulated.” The symbol (square within a square) may also be marked on the appliance.



DOUBLE-INSULATED: GROUNDING NOT REQUIRED. WHEN SERVICING, USE ONLY IDENTICAL REPLACEMENT PARTS.

This leaf mulcher/shredder is double-insulated, eliminating the need for a separate grounding system. Use only identical replacements parts. Read the instructions before servicing double-insulated leaf shredders. Use this leaf mulcher/shredder only as described in this manual.

⚠️ WARNING! To reduce the risk of electric shock, do not expose to rain. Store indoors.

⚠️ WARNING! For your own safety, read and understand the operator's manual. Do not run the unit unattended.

⚠️ CAUTION! To reduce the risk of injury from moving parts, unplug the unit before cleaning or servicing.

Additional Safety Rules for Leaf Mulcher/ Shredder


1. Become familiar with all sections of this owner's manual before attempting to operate the leaf mulcher/shredder. This leaf mulcher/shredder should be used solely for the purpose for which it is intended.
2. Use only parts or accessories specifically designed for use with this leaf mulcher/shredder. Using other parts or accessories could increase risk of injury.
3. Keep your hands and other body parts and loose articles of clothing away from the funnel and upper housing area.
4. Avoid dangerous environments – Do not use the leaf mulcher/shredder in damp or wet locations. Do not operate in rain. Store indoors when not in use, in a dry and high or locked-up place out of the reach of children.
5. This leaf mulcher/shredder should be operated on a solid, level surface.
6. **⚠️ WARNING!** To reduce the risk of electrical shock, use only an extension cord intended for outdoor use.
7. If for any reason you need to inspect, clean, or repair the leaf mulcher/shredder, turn the unit off and wait until it comes to a complete stop. Then, disconnect the power cord before conducting such inspection or repair.
8. Disconnect the leaf mulcher/shredder from the power source when it is not in use, before servicing, and when replacing the cutting lines.
9. When feeding material into the leaf mulcher/shredder, make sure that you do not accidentally insert pieces of metal, rocks, bottles, cans, or other foreign objects.
10. Do not force the leaf mulcher/shredder. It will do the job better and with less likelihood of injury if it is used at the rate for which it was designed.
11. If the cutting mechanism strikes a foreign object or if you notice an unusual rattling noise or vibration coming from the leaf mulcher/shredder, immediately switch off the unit and wait until it comes to a complete stop. Then, disconnect the power cord and follow the steps below:
 - a) Remove any foreign or clogged material.
 - b) Check for any loose parts and tighten them to ensure continued safe operation.
 - c) Replace or repair any damaged parts.
12. Check the discharge area periodically after stopping the leaf mulcher/shredder to ensure that the processed material does not build up and clog the motor cooling vents.
13. Do not move the leaf mulcher/shredder when the motor is running or when your finger is on the switch.

Unpacking

Due to modern mass production techniques, it is unlikely that your power tool is faulty or that a part is missing. If your power tool does not arrive intact, do not operate the tool until the parts have been replaced or the fault has been rectified. Contact the Snow Joe®/Sun Joe® customer service center for assistance. Failure to do so could result in serious personal injury.

Safety Symbols

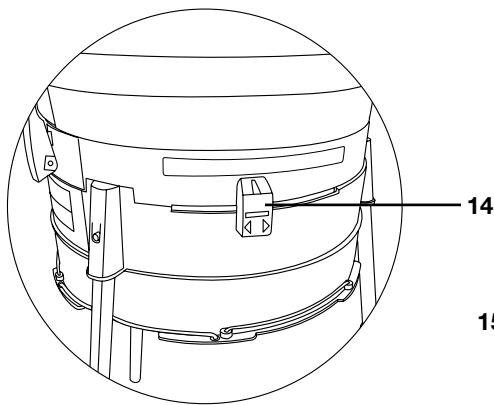
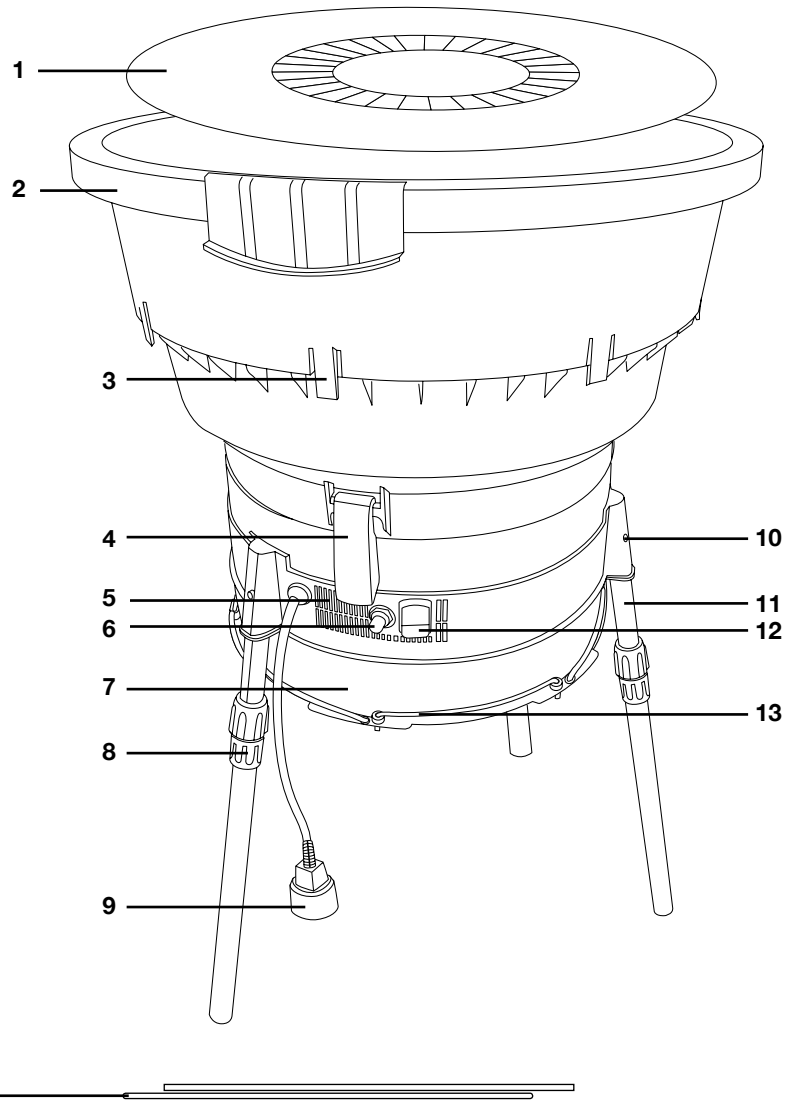
The following table depicts and describes safety symbols that may appear on this product. Read, understand, and follow all safety instructions before attempting to assemble and operate the leaf mulcher/shredder.

Symbols	Descriptions	Symbols	Descriptions
	SAFETY ALERT – indicates a precaution, a warning, or a danger.		CAUTION! Remove plug from the outlet immediately if the cord is damaged or cut.
	READ THE OPERATOR'S MANUAL(S) – Read, understand, and follow all safety instructions in the manual(s) before attempting to assemble and operate.		CAUTION! Remove plug from the outlet before conducting inspection, cleaning, or maintenance.
	WARNING! Keep away from rain and other wet areas.		DANGER! Keep hands and feet away from the cutting area.
	Risk of eye injury – Use safety glasses or similar eye protection. Wear hearing protection.		Keep bystanders at a safe distance away from the machine.
	Wear protective gloves when using the machine and handling debris. Wear protective shoes during operation.		Double insulation.

Know Your Electric Leaf Mulcher/Shredder

It is important to know the features and safety requirements of the leaf mulcher/shredder. Do not use the leaf mulcher/shredder for purposes or applications other than those for which the unit is intended.

1. Funnel cover
2. Funnel
3. Locking tabs (8)
4. Clamps (2)
5. Air vents (2)
6. Circuit breaker
7. Housing
8. Height adjustment knob
9. Plug and cable
10. Assembling hole for legs (3)
11. Telescoping legs (3)
12. ON/OFF switch
13. Elastic strap
14. Mulch adjustment control dial
15. 0.1 in. x 12.6 in. (2.5 mm x 320 mm) replacement cutting line (20 pcs.)



Technical Data

Rated Voltage	120 V ~ 60 Hz	Max. Cutting Diameter	12 in. (30.4 cm)
Power	13 amp	Line Diameter	0.1 in. (2.5 mm)
No Load Speed	8,000 rpm	Line Length	12.6 in. (320 mm)
Particle Reduction Ratio	16:1	Weight	13.4 lbs (6.1 kg)

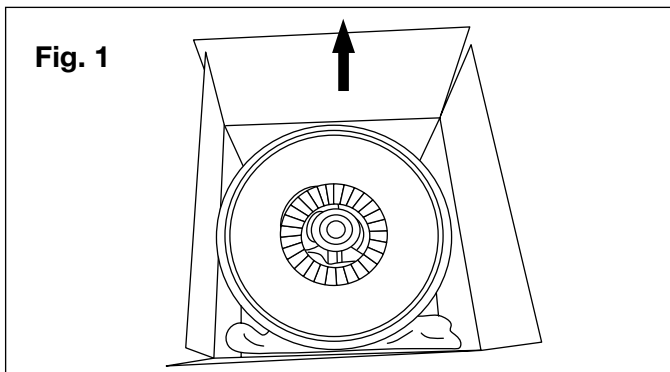
Assembly

⚠️ WARNING! Do not connect to power supply until assembly is complete. Failure to comply could result in accidental starting and serious personal injury.

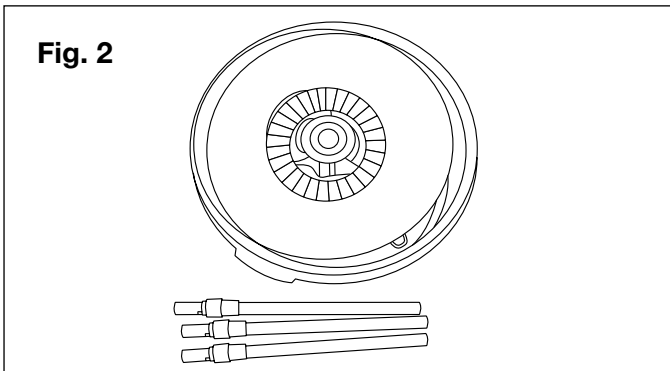
⚠️ CAUTION! Carefully unpack the components of the box and verify that all parts are intact. Do not separate the parts by force. If any part is broken, please contact an authorized service agent.

Unpacking

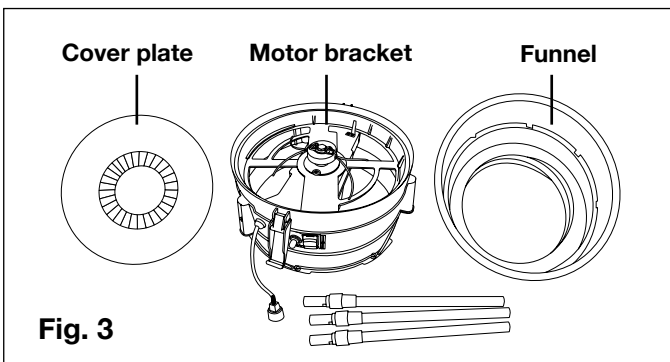
1. Open the box.



2. Take out the funnel assembly and the three legs.

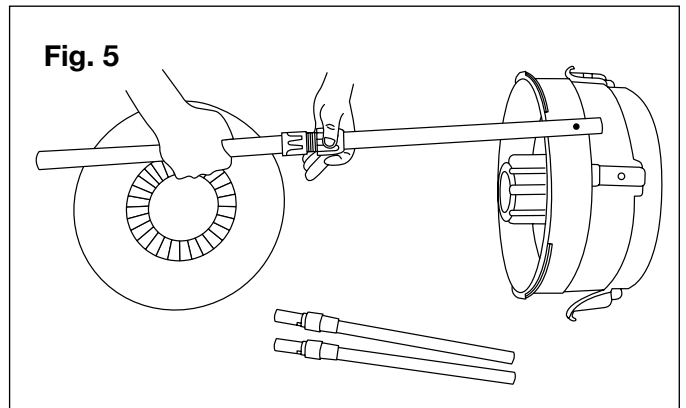
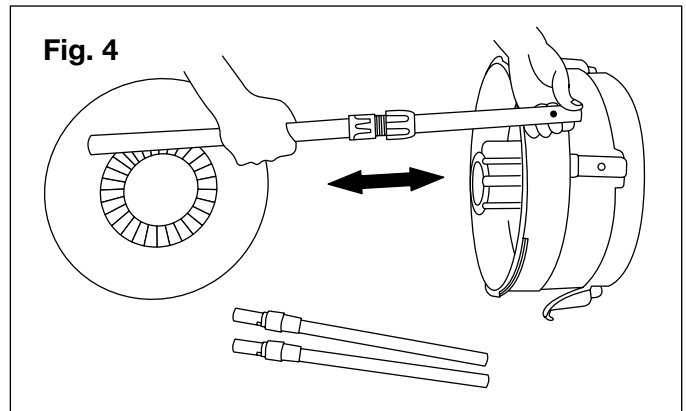


3. Remove the motor bracket from the funnel.

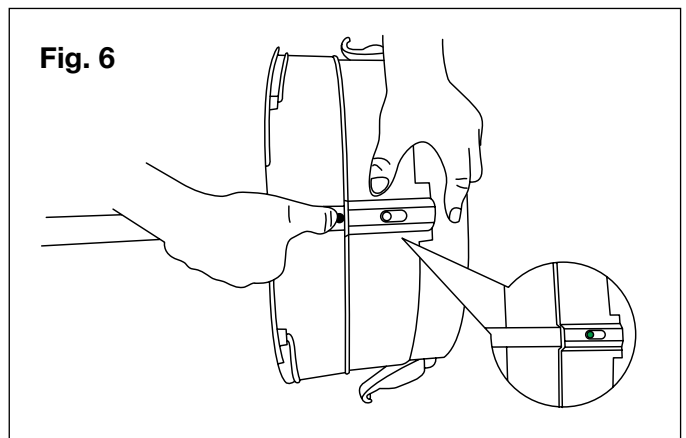


Assembling the Mulcher Stand

1. Loosen the height adjustment knob on the leg and pull the tube to the desired height; tighten the knob to secure the leg in place (Figs. 4 & 5).

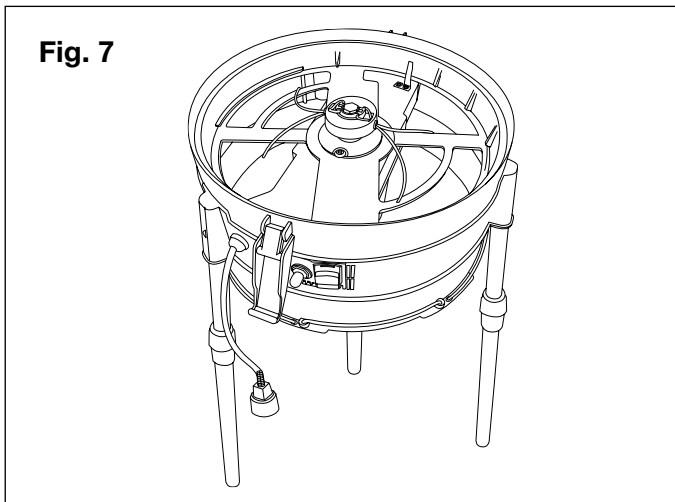


2. With your finger pressed against the leg pin indicated in Fig. 6, insert the leg into the hole on the motor housing assembly. Let the pin slip into the hole to secure the leg in place. Repeat with the two other legs until the two remaining holes on the housing assembly are properly fitted.

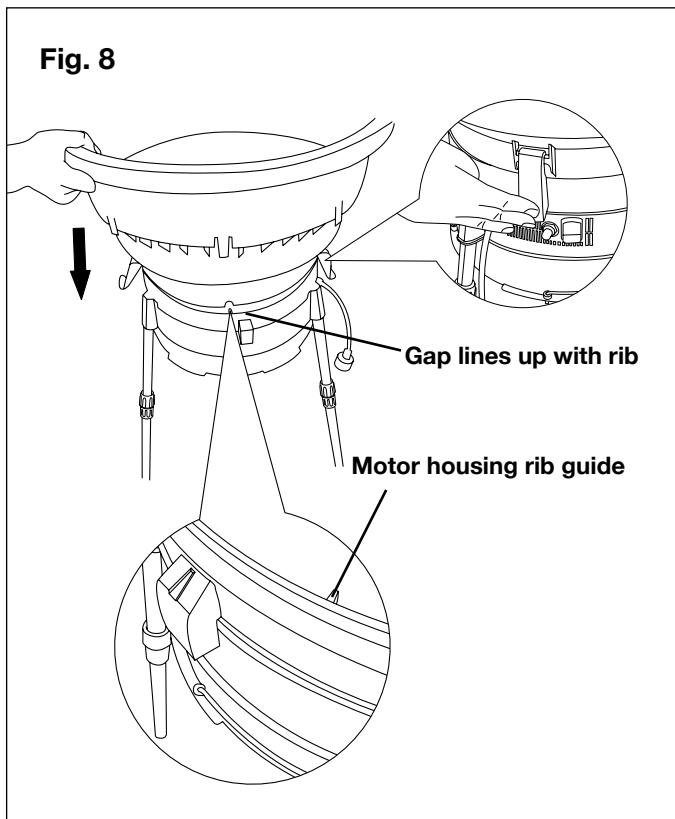


Assembling the Mulching Power Head

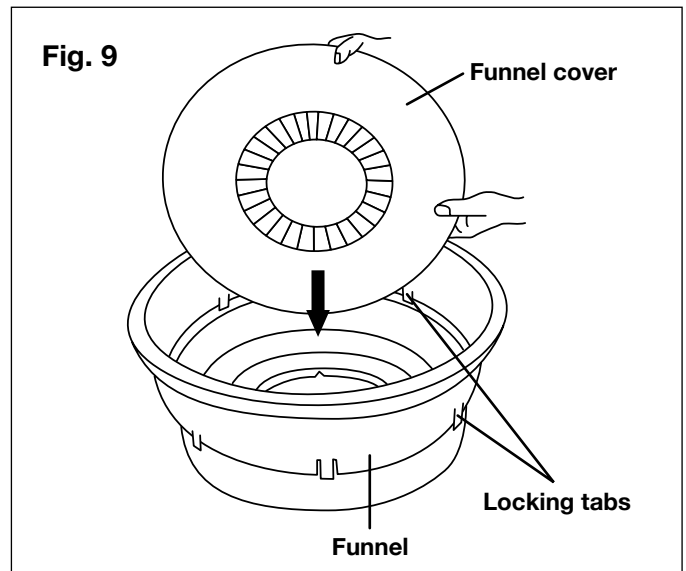
1. Make sure the motor housing sits securely on the three legs (Fig. 7).



2. Fit the funnel onto the motor housing, aligning the funnel gap with the motor housing rib. Use the clamps located on the motor housing to secure the funnel in place (Fig. 8).



3. Fit the funnel cover in the funnel. Use the 8 locking tabs on the funnel to ensure a secure fit (Fig. 9).

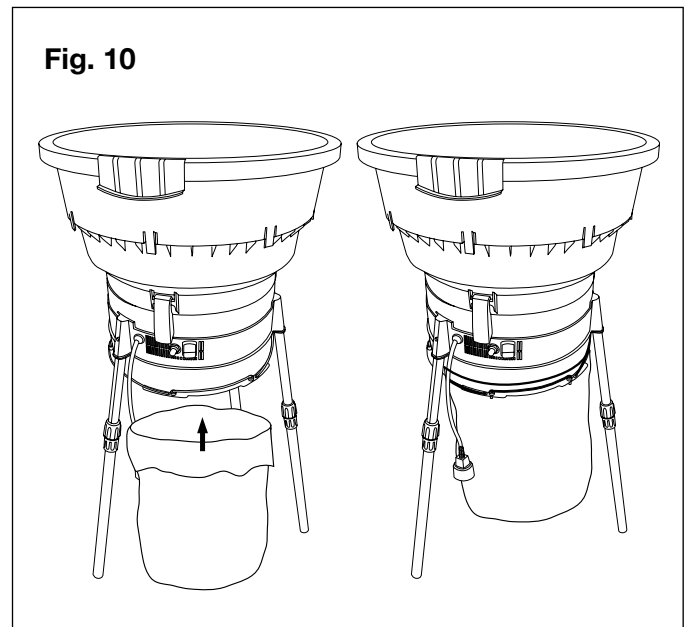


Fitting the Collection Bag

NOTE: This unit does not come with a leaf collection bag. You must supply your own. (You may use a plastic, paper, or cloth collection bag depending on your preferred method of waste disposal.)

1. Open the bag and fit it around the motor housing. Use the elastic strap located at the base of the unit to secure the bag in place (Fig. 10).

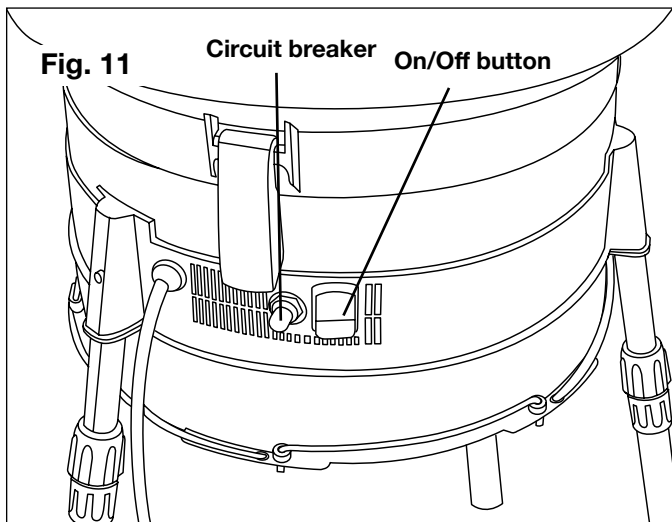
NOTE: You can remove the mulcher stand and fit the hopper onto a leaf-bag lined trash container for easy and convenient disposal of the shredded waste.



Operation

ON/OFF Switch

The On/Off switch is located on the lower side of the motor housing portion of the power head. To turn on, push the green button. To turn off, push the red button (Fig. 11).



NOTE: If the unit stops, wait 1 minute and then press the circuit breaker reset button.

CAUTION! To prevent exposure to dusty warm air, do not stand in front of the motor ventilation slots.

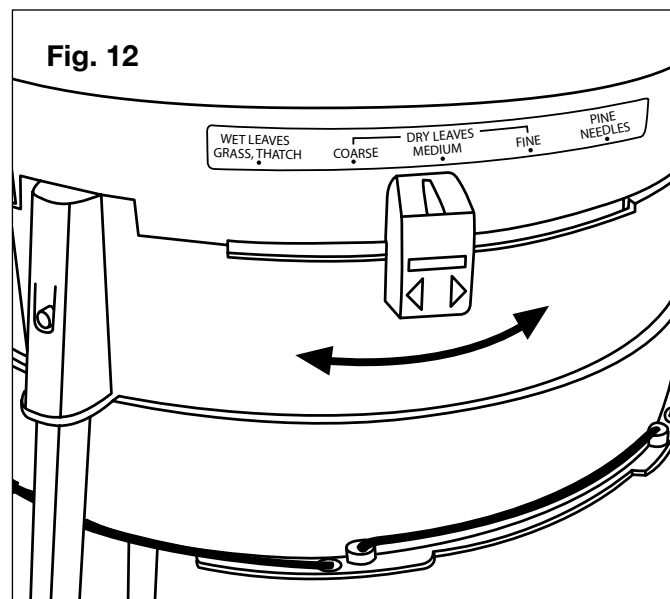
Loading Your Machine

With the mulcher running, feed double handfuls of dry leaves or single handfuls of wet leaves into the funnel. Allow the machine sufficient time to shred the load completely and regain speed before inserting the next handful. Do not overload the machine by letting it labor at low speed; this may cause the motor to stop. If this happens, turn the switch off, unplug the machine, clear the unshredded material from the funnel, restart the machine, and then resume shredding.

WARNING! Filling the mulcher with unshredded material at a rate faster than the machine can handle may result in permanent damage to the motor. Always wear protective glasses and a dust mask.

Adjusting the Control Dial

The control dial (Fig. 12) regulates the particle size and speed at which material passes through the unit. When the control dial is set in the COARSE position, material will process through the unit faster, but will yield a larger particle size than if the dial were set to the FINE position. The FINE position setting will discharge the material slower, but will yield the smallest particle reduction ratio (up to 16:1). Use the special settings for pine needles, grass clippings, and thatch as needed. For best results, material should be shredded when dry.



Maintenance

WARNING! Disconnect the appliance from the power supply before carrying out any cleaning, maintenance, or when replacing the cutting line.

Cleaning Your Unit

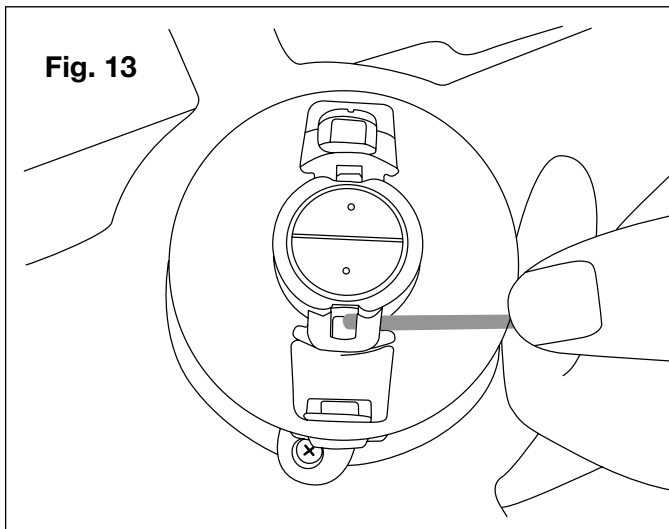
Your unit requires minimal maintenance to keep it in proper working order. It is recommended that you clean out built-up residue inside the motor housing area during and after each use. Disassemble the unit and use a cloth dampened with clean water to clean the funnel cover and funnel. Use a **dry** cloth to clean the motor housing. Replace the cutting line as needed and clean the air vents frequently. Any other maintenance or repairs should be performed by an authorized Snow Joe®/Sun Joe® service center.

CAUTION! Cleaning the motor housing with water will lead to permanent motor damage. Use a dry cloth only.

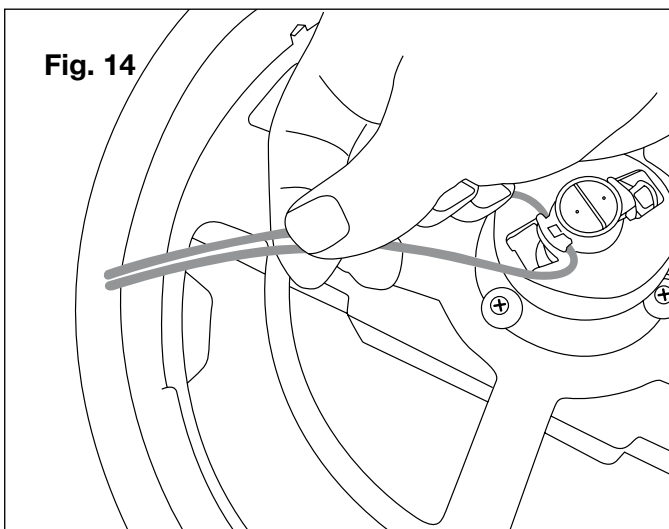
Replacing the Cutting Line

This electric leaf mulcher/shredder features a bladeless mulching system that utilizes 0.1 in. x 12.6 in. (2.5 mm x 320 mm) heavy-duty trimmer line. Twenty replacement cutting lines are included in the box. Visit snowjoe.com to purchase additional cutting line (Model SDJ616L).

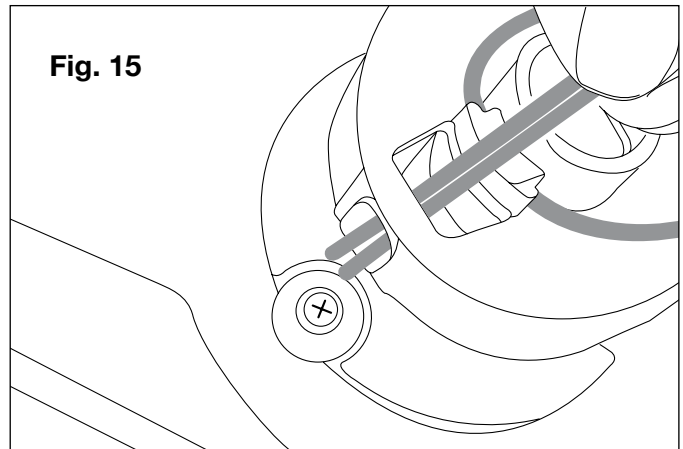
1. Replace the cutting line when a noticeable decrease in shredding efficiency is observed. To remove the worn cutting lines, cut the old lines and pull the remaining line out of the spinner head.
2. When installing new cutting lines, feed each end of the new line through the two holes in the post on top of the spinner head (Fig. 13).



3. Check that the two ends of the line are even in length on both sides (Fig. 14).

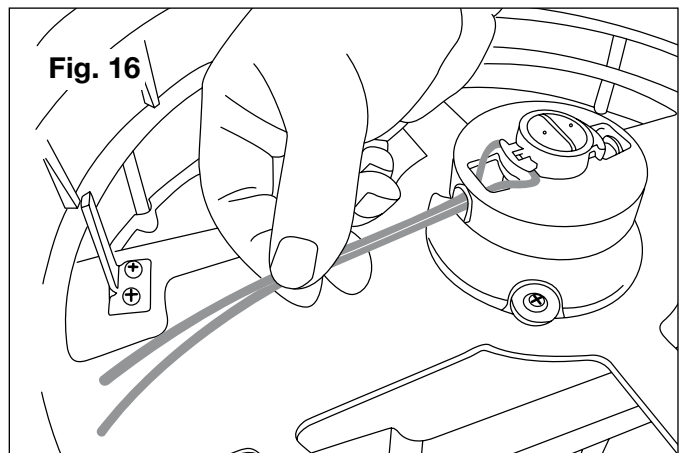


4. Thread the lines through each corresponding ferrule (Fig. 15).

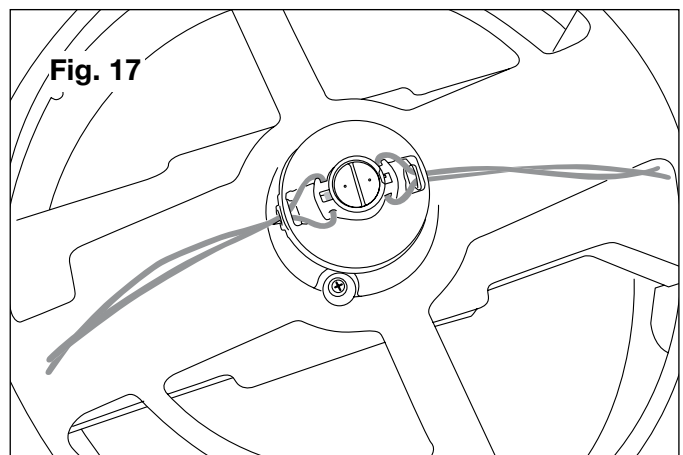


5. Ensure that both ends of the line are straight and are even in length (Fig. 16).

NOTE: There is a built-in line cutter that will cut and trim the lines slightly longer than desired.



6. Refer to the above steps to replace another cutting line (Fig. 17).



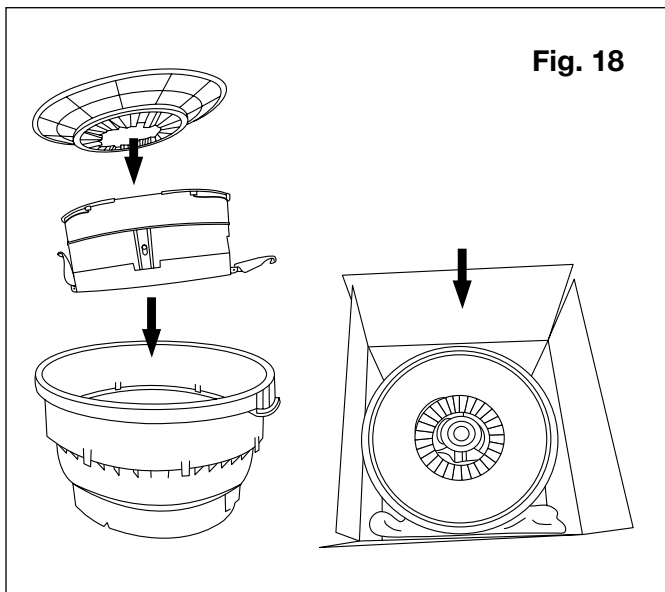
⚠️ WARNING! For optimal performance, use only replacement cutting lines designed specifically for this electric leaf mulcher/shredder (Model SDJ616L).

Monofilament lines having a maximum diameter of 0.1 in. (2.5 mm) and a maximum length of 12.6 in. (320 mm) long may be temporarily substituted, but this is NOT recommended. Use of thicker lines, lines made of substitute material, or lines greater than 12.6 in. (320 mm) long may result in permanent damage to the motor and will void the manufacturer's warranty. Immediately replace any worn parts of the spinner head.

Storage

When storing the electric leaf mulcher/shredder at the end of the season, disassemble the unit and stack the parts in the following order (Fig. 18):

1. Place the funnel into the box.
2. Fit the motor housing into the funnel.
3. Place the funnel cover onto the motor housing
4. Rest the legs in the box beside the funnel.



Service and Support

If your electric leaf mulcher/shredder requires service or maintenance, please contact the Snow Joe®/Sun Joe® customer service center at 1-866-766-9563.

Model and Serial Numbers

When contacting the company or reordering parts, you will need to provide the model and serial numbers of your product. These are found at the bottom of your electric leaf mulcher/shredder. Copy these numbers into the space provided below.

Record the following numbers from the housing or handle of your new product:

Model #:

Serial #:



SNOW JOE® + SUN JOE® REFURBISHED GOODS WARRANTY

GENERAL CONDITIONS:

Snow Joe® + Sun Joe® operating under Snow Joe®, LLC warrants this refurbished product to the original purchaser for one year against defects in material or workmanship when used for normal residential purposes. If a replacement part or product is needed, it will be sent free of charge to the original purchaser except as noted below.

The duration of this warranty applies only if the product is put to personal use around the household. If the product is put to any business, commercial or industrial use or is rented or leased, then the duration of this warranty is 90 days from the date of original purchase. It is the owner's responsibility to correctly perform all maintenance and minor adjustments explained in the owner's manual.

HOW TO OBTAIN YOUR REPLACEMENT PART OR PRODUCT:

To obtain a replacement part or product, please visit snowjoe.com/help or email us at help@snowjoe.com for instructions. Please be sure to register your unit beforehand to speed up this process. Certain products may require a serial number, typically found on the decal affixed to the housing or guard of your product. All products require a valid proof of purchase.

EXCLUSIONS:

- Wearing parts like belts, augers, chains and tines are not covered under this warranty. Wearing parts can be purchased at snowjoe.com or by calling 1-866-SNOWJOE (1-866-766-9563).
- Batteries are covered in full for 90-days from the date of purchase.

Snow Joe® + Sun Joe® may from time to time change the design of its products. Nothing contained in this warranty shall be construed as obligating Snow Joe® + Sun Joe® to incorporate such design changes into previously manufactured products, nor shall such changes be construed as an admission that previous designs were defective.

This warranty is intended to cover product defects only. Snow Joe®, LLC is not liable for indirect, incidental or consequential damages in connection with the use or misuse of the Snow Joe® + Sun Joe® products covered by this warranty. This warranty does not cover any cost or expense incurred by the purchaser in providing substitute equipment or service during reasonable periods of malfunction or non-use of this product while waiting for a replacement part or unit under this warranty. Some states do not allow exclusions of incidental or consequential damages so the above exclusions may not apply in all states. This warranty may give you specific legal rights in your state.

HOW TO REACH US:

We're here to help Monday through Friday from 9AM to 6PM EST. You can reach us at 1-866-SNOWJOE (1-866-766-9563), online at snowjoe.com, via email at help@snowjoe.com or tweet us @snowjoe.

EXPORTS:

Customers who have purchased Snow Joe® + Sun Joe® products exported from the United States and Canada should contact their Snow Joe® + Sun Joe® distributor (dealer) to obtain information applicable to your country, province or state. If for any reason, you are not satisfied with the distributor's service, or if you have difficulty obtaining warranty information, contact your Snow Joe® + Sun Joe® seller. If in the event your efforts are unsatisfactory, please reach out to us directly.



snowjoe.com
