

VICTORIA

15W

Installation Manual

SOLTECH Designs and Manufactures
Advanced, Solar-Powered
LED Technology.



Thank you for purchasing VICTORIA Solar Post Top Light.

Introduction

Outdoor solar lighting systems use solar cells which convert sunlight into electricity. Electricity is stored in batteries for use at night. VICTORIA solar lights are easy to install and virtually maintenance free. Using them won't increase your electric bill.

Important

Please make sure that the light is installed in an area with sufficient sunlight irradiance. A strict minimum of 3.5 hours/day of sunshine on average is recommended. Select the right operating mode according to the local legislation needs and the local sunshine conditions. Keep it away from shadows.

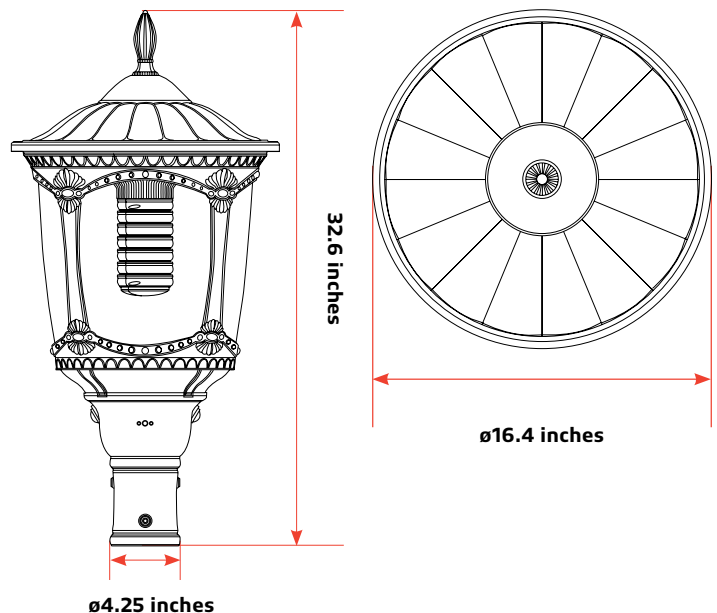
Please save these instructions. Read all the instructions carefully before attempting to carry out any installation or wiring. Do not open or attempt to repair the product on your own, as it may cause serious damage and would void the product warranty. Contact your local distributor for any questions concerning the installation.

Precautions when working with solar panels

When the solar panel is exposed to sunlight, a voltage appears at the output terminals of the solar panel turning it into a source of electricity.

To avoid a shock hazard, make sure the solar panel is covered with an opaque (dark) later such as cardboard or cloth during the installation. Do not contact the terminals when the panel is exposed to sunlight or any other light source.

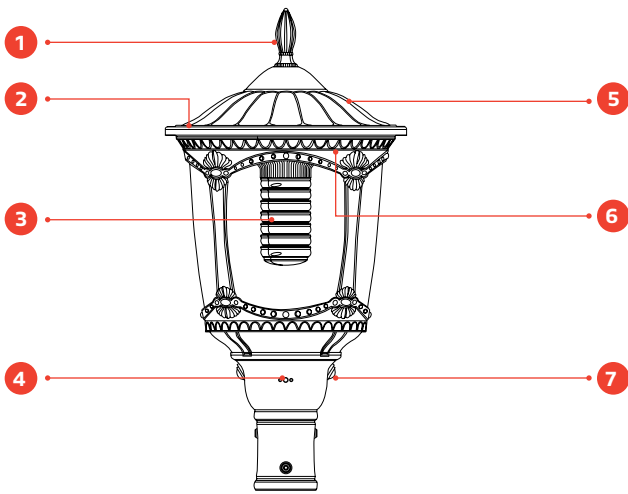
PRODUCT SIZE



SOLTECH LLC reserves the right to update all product data sheets at any time. Consult SOLTECH marketing specialists for publication updates at hello@soltechlighting.com

Copyright©2018–2024 SOLTECH LLC,
All Rights Reserved.

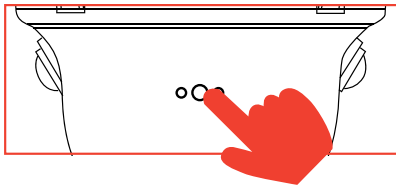
INTRODUCTION



- 1 Cap
- 4 On/Off & Mode Switch
- 2 Solar Panel
- 5 PC Lampshade
- 3 Lamp
- 6 Indicator
- 7 PIR Sensor

TURN ON THE LIGHT

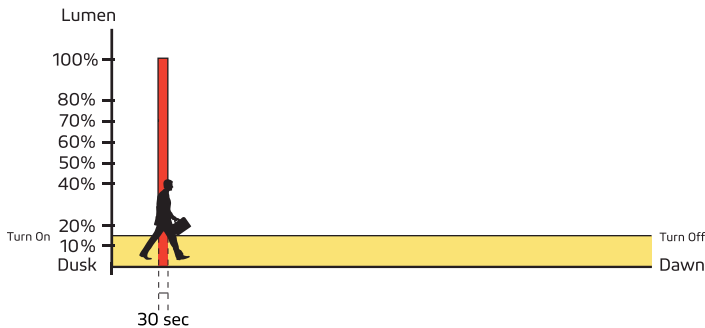
Turn on the lamp: Press the button for 3 seconds to switch On/Off. Press the button quickly to choose the lighting Mode 1, 2 & 3.



LIGHTING MODE

M1: Red Light

Constant 15% brightness (turns on at dusk, turns off at dawn); 100% brightness turns on for 30 seconds when motion is detected.

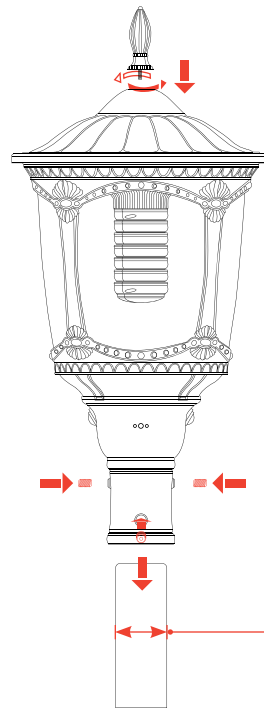


M3: Orange Light

Constant 35% brightness (turns on at dusk, turns off at dawn).



INSTALLATION



Please use the supplied four screws to fix the light on the top of pole.

Pole Range
ø2 1/2-ø3 1/4 Inches



Indicator
Mode 1: Red Light
Mode 2: Green Light
Mode 3: Orange Light

M2: Green Light

Changes as natural light decreases/increases (turns on at dusk); Constant 30% brightness for the first 5 hours; dim to 15% until dawn, when motion is detected, it will turn up to 100% for 30 seconds.

