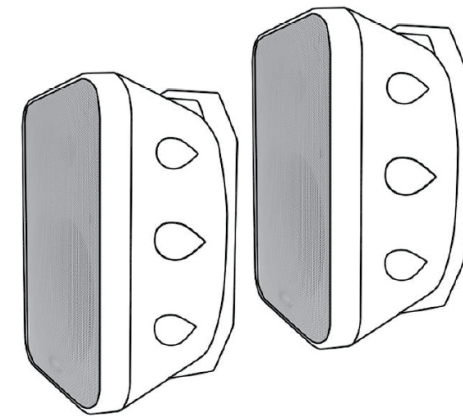


TARVOS-MS Series

70V/100V Weather-Resistant Surface Mount Loudspeaker



TARVOS-MS5 (5.25") / TARVOS-MS6 (6.5")

PRODUCT MANUAL

IMPORTANT SAFETY INSTRUCTIONS

1. Read all safety and operating instructions before using this product.
2. All safety and operating instructions should be kept for future reference.
3. Read and understand all warnings listed on the operating instructions.
4. Follow all operating instructions to operate this product.
5. Only use dry cloth to clean this product.
6. Do not block any ventilation openings, it should not be placed flat against a wall or placed in a built-in enclosure that will impede the flow of cooling air.
7. Do not install this product near any heat sources, such as, radiators, heat registers, stove or other apparatus (including heat producing amplifiers) that produce heat.
8. Only use attachments specified by the manufacturer.
9. Unplug this apparatus during lightning storms or when unused for long periods of time.
10. Refer all servicing to qualified service personnel. Servicing is required when the apparatus has been damaged in any way.
11. Correct disposal of this product: This symbol indicates that this product must not be disposed of with household waste, according to the national law. This product should be taken to a collection center licensed for the recycling of waste electrical and electronic equipment. The mishandling of this type of waste could have a possible negative impact on the environment and human health due to potentially hazardous substances. At the same time, your cooperation in the correct disposal of this product will contribute to the efficient use of natural resources. For more information about where you can take your waste equipment for recycling, please contact your local city office, or your household waste collection service.



In the Package

Surface Mount Loudspeakers x 2
User Manual x 1

FEATURES & APPLICATIONS

- **WEATHER-RESISTANT:** IP55 standard enclosure with make it perfect for outdoor installations and high-humidity environments.
- **INCLUDES STEP-DOWN TRANSFORMER:** Can be used in either 8ohm or 70V / 100V voltage speaker configurations with built-in step-down transformer and taps.
- **VERSATILE INSTALLATION ACCESSORIES:** Included Yoke mount bracket, the speaker can be surface-mounted horizontally or vertically with adjustable angle.
- Ideal for indoor & outdoor, residential or commercial applications.

About Constant Voltage (70V/100V) Speaker

Constant voltage (70V/100V) systems are ideal for large-scale, multiple speakers distributed audio installations where flexibility, ease of installation, and long cable runs are critical considerations. Following are the advantages of constant voltage (70V/100V) systems compared to low impedance (4-8 ohm) speakers:

Longer Cable Runs: Constant voltage systems allow for much longer cable runs without significant loss of audio quality or power. This makes them ideal for large venues or distributed audio systems.

Simplified Wiring: In constant voltage systems, multiple speakers can be easily connected in parallel, simplifying the wiring process. This is particularly useful for installations in commercial or public spaces.

Easier Impedance Matching: With constant voltage systems, there's no need to worry about matching the total impedance of the speaker load to the amplifier's output impedance. This reduces the risk of damaging the amplifier or speakers.

Flexible Speaker Placement: Constant voltage systems provide more flexibility in speaker placement and quantity. Additional speakers can be added without needing to reconfigure the entire system or significantly affect the load on the amplifier.

Volume Control: Many 70V/100V speakers have built-in transformers with multiple taps, allowing for individual volume adjustment at each speaker. This is beneficial in environments where different areas require different volume levels.

Cost-Effective for Large Installations: For large installations, constant voltage systems can be more cost-effective because they require fewer amplifiers and less heavy-duty cabling.

Safety: The higher voltage of 70V/100V systems can be safer in certain environments because it allows for lower current to achieve the same power, reducing the risk of electrical hazards.

*70V constant voltage is commonly used in the U.S. region while 100V is commonly used in the European region.

Setup

70V-Speaker Configuration

Referencing the tap position switch label on the rear of the speaker and adjust the correct setting for the system. The total number of speakers multiplied by the tap value cannot exceed the output power of your 70V amplifier. The example shown as Figure 1 using the 30W @70V taps, you will need an amplifier with at least 150 watts for 5 speakers (5 x 30 = 150W). It's recommend to use an amplifier with around 20% greater power, in this case, an amplifier that delivers about 180 watts are good for below setup.

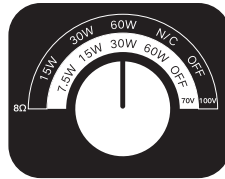
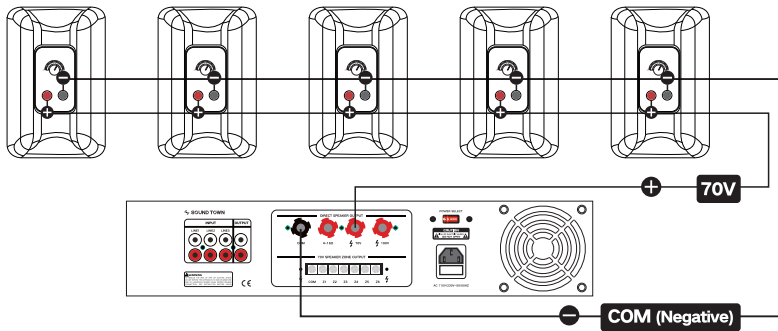


Figure 1



8 Ohm-Speaker Configuration

Make sure to set the tap to 8 ohm as shown in Figure 2.

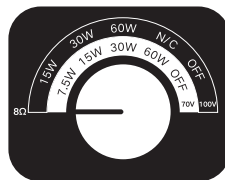
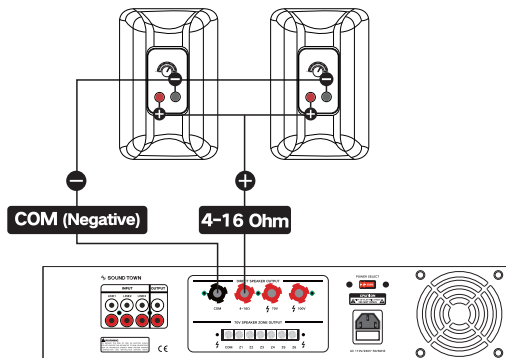


Figure 2



Specifications

MODEL	TARVOS-MS5	TARVOS-MS6
Type	Full-range	Full-range
Freq. Range	70~18kHz	65~18kHz
LF Driver	1 x 5.25"	1 x 6.5"
HF Driver	1 x 1"	1 x 1"
Dispersion (HxV)	90° x 60°	90° x 60°
Nominal Impedance	8Ω	8Ω
Power RMS / Program (8Ω)	40W / 80W	60W / 120W
Available 70V Taps (watts)	40W, 20W, 10W, 5W	60W, 30W, 15W, 7.5W
Available 100V Taps (watts)	40W, 20W, 10W	60W, 30W, 15W
Sensitivity	90dB	91dB
Connector	Red and Black binding post	
Enclosure Finish	Matte finish ABS, available in black or white	
Environmental	IP55	
Height	9.6" (245mm)	12" (305mm)
Width	7.3" (185mm)	8" (203mm)
Depth	6.1" (155mm)	6.7" (170mm)

How can we help you?

CONTACT OUR US-BASED SUPPORT TEAM

Simple or complex, your questions are important to us. For service, support or more information, please contact the Sound Town support team:

Email: support@soundtown.com