

**SOUNDSTREAM**



**REIGN**

Owner's Manual

EN

## 1-Channel Amplifier

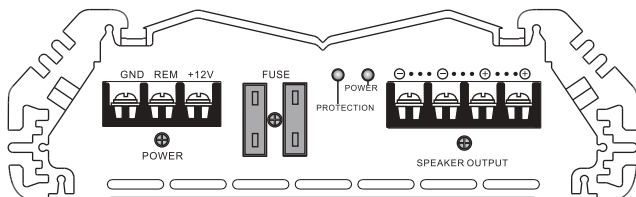
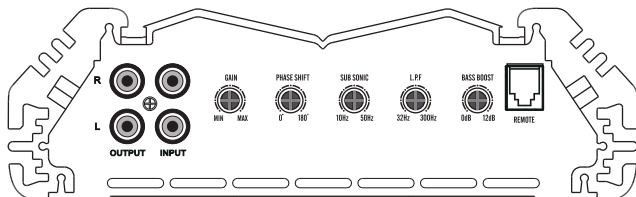


**SR1-1500 / SR1-3000**

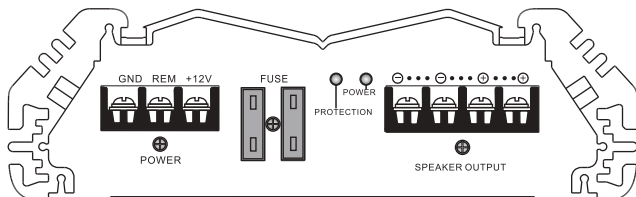
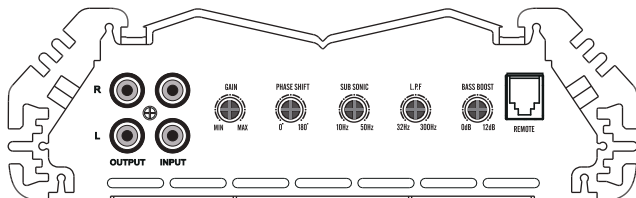


## Panel Definition :

### SR1-1500



### SR1-3000



## Features & Functions:

### Crossover Adjustments-LPF

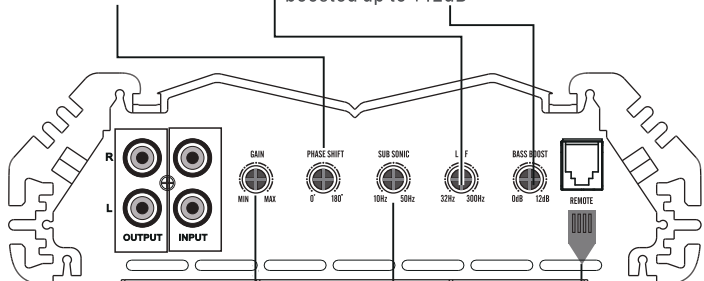
Adjustment of the crossover frequency, by rotating the knob to select any frequency between 32Hz to 300Hz as the crossover point.

### Phase Adjustments-PHASE

The "PHASE" function can be changed phase for audio signal.

### Bass Boost Control

The Bass Boost Control allows you to control extra bass response into your system. The Bass can be boosted up to +12dB



### Remote Control

Connect the remote control box can be changed sound response output

### Sub Sonic

This eliminates the lowest frequencies and protects the speakers from damage. Set the frequency between 10Hz-50Hz, depending on the size of the installed subwoofer.

### Gain

"Gain" function can be selected to increase or decrease sound response output.

### Low Level Input- RCA Type Terminal

This amplifier is provided with gold plated RCA terminals for LOW LEVEL INPUT to match radios, car stereo and equalizers with line level output.

High: HIGH LEVEL INPUT be connected to car stereo with high level output.

### OUTPUT

The line out use by connecting with another power amplifier.

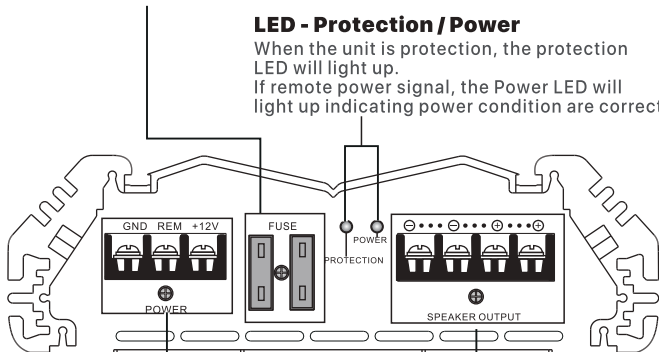
## Features & Functions:

### Fuse

The integrated amplifier fuses protect the units from short circuit and overload

### LED - Protection / Power

When the unit is protection, the protection LED will light up.  
If remote power signal, the Power LED will light up indicating power condition are correct.



### Speaker Terminals:

The speaker terminals are Gold Plated for high conductivity and minimum impedance loss. Be sure to strip just enough insulation off your speaker wires that will fit under the screw plate to help ensure against speaker wire short circuits. The unit can support an impedance load as low as 2-8ohm load.  
If you connect two loads, do not connect 2 ohms load.

### Power Terminals:

**B+ / +12V.** Connect the +12V pole of power supply directly to the battery(+) position.

**GND.** Connect the GND pole of power supply directly to the (-) negative ground battery terminal of car chassis.

**REM.** Connect the "Remote" pole to external switch for positive 12V ON/OFF. This may e connected to the power antenna of turn on lead of the headunit.

## Power Connection:

For your convenience, high current barrier strip terminals are provided which allow the use of heavy gauge terminals and wire without splicing.

**B+ / +12V.** Connect the +12V pole of battery.

**GND.** Connect the chassis ground of auto.

**REM.** Connect to the remote turn-on lead of your headunit.

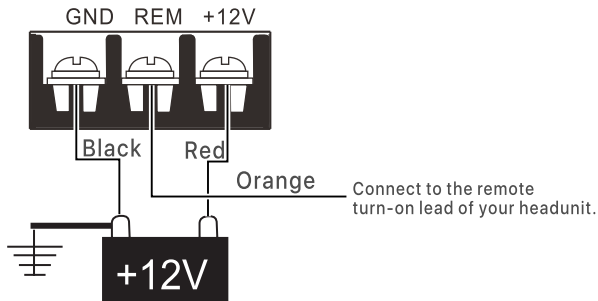
### Note:

Improper wiring connections can seriously damage amplifiers, accessories, or speakers, please follow instructions carefully.

Disconnect the battery positive (+) before making any power connections to the amplifier.

Make sure all connections are clean and secure, and use grommets when going through the firewall and other metal bodywork.

Always use the proper size fusing, with a fuse at the battery and the amplifier. (not supplied)



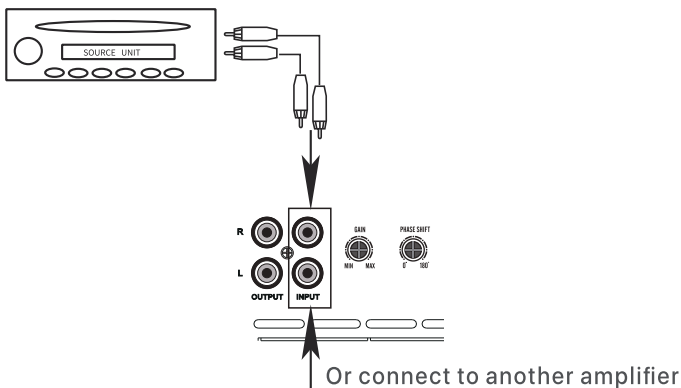
## Input Connection:

Connect the pre-amp (low-level) outputs from your source unit or crossover to the RCA jacks labeled "input" on the amplifier. Be sure to route all signal cable away from power lines and use high quality RCA cables to insure good signal transfer and to avoid noise from entering the system.

In the **Stereo** mode, connect the left and right RCA plugs from the source unit to their appropriate input jacks.

In the **Mono/Bridged** mode, connections may be made to right, left of both input jacks.

## Input Connection:



## Output connection:

Again, high current barrier strip terminals are provide for connection to the loud speaker system.

Connect the subwoofer speaker+ lead to the + terminal and the subwoofer speaker- lead to the terminal.

**Note: Mono mode is designed for 2-8 ohm loads. If connecting two subwoofer speakers, the unit will not support a 1 ohm load.**

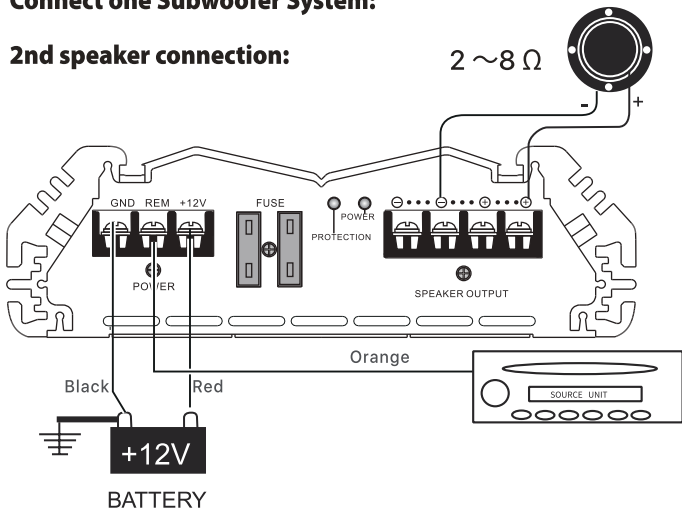
## Connect two Subwoofer Systems:

Connect the two pairs of output terminals to corresponding subwoofer speakers:



## Connect one Subwoofer System:

### 2nd speaker connection:



## TROUBLE SHOOTING

### No Audio

- Low or no remote turn-on voltage: check remote connections at the amplifier and source unit.
- Blown amplifier fuse: replace with a new fast-blow fuse (same rating).
- Power wires not connected: check battery and ground wiring at the amplifier and check the battery connections.
- Speaker leads shorted: check speaker continuity to ground; it should not show a common ground.
- Speakers not connected or are blown: check speaker connections at the amplifier; measure coil impedance.

### Distorted audio

- Gain is not properly set or the speaker cones are damaged.
- Review the instructions for setting the gain. Inspect each speaker cone for signs of damage, such as a frozen cone, burning smell, etc.

## Features:

- Digital pulse-width-modulated regulated power supply.
- Mosfet power supply devices.
- Direct coupled output stage.
- Discrete output transistors.
- Low overall negative feedback.
- Bridgeable to mono operation.
- Soft start delayed turnon.
- Increased surface area and mass for continuous heat dissipation.
- LED power on indicator.
- 1-ohm Stable Monoblock Operation for MAX Power
- Bridge 2 Monoblocks Together for Double Power!
- Military Grade PCB w/ PWM MOSFET Power Supply
- Direct Short, Thermal, & Overload Circuit Protection
- High/Speaker Level & Low Level/RCA Input
- 4g Power Wire & 8g Speaker Wire Outputs
- Variable 12dB High & Low Pass Crossovers
- 12dB Bass Boost Increases Low Octave Harmonics

## Specification:

Output Power:	SR1-1500 :1x500W(2Ω RMS) / 1x300W(4Ω RMS)
	SR1-3000 :1x1000W(2Ω RMS) / 1x600W(4Ω RMS)
THD:	<0.1%
Frequency RESP:	10Hz ~ 300Hz ±1dB
S/N Ratio:	≥85dB
Input Sensitivity:	200mV ~ 8V
Bass Boost:	12dB
Speaker Impedance:	2 ~ 8 Ω
Power Fuse:	SR1-1500 25Ax2 ( Refer flank text)
	SR1-3000 40Ax2 ( Refer flank text)
Dimension (HxWxL):	SR1-1500 2.3"H x 7.25"W x 10.25"L
	SR1-3000 2.3"H x 7.25"W x 9.85"L
Accessory:	Screws Set & Spare Fuse