The Sprout logo, featuring the word "sprout" in a lowercase, yellow, sans-serif font with a small leaf-like flourish above the 't'.

sprout

INSTRUCTION MANUAL

1080p Dash Camera




Sprout Accessories Pty Ltd

Ph: 07 3624 6666 W: Sproutinc.com.au

E: sproutenquiries@sproutinc.com.au





sprout.

Sprout is proud to be an Australian owned brand. Starting small in 2011, we are now one of the largest single-branded accessory providers in Australia. We have an extensive range that highlights our pursuit of innovation across a growing number of technology categories.

Our mission is to inspire new and better experiences, by designing products that enhance your digital life.

CONTENT

01. WHAT'S IN THE BOX?	04
02. PRODUCT OVERVIEW	05
03. QUICK START GUIDE	06
04. EXTRA CONTROLS	10
05. SPECIFICATIONS	17
07. IMPORTANT SAFETY INFO	18
08. DISPOSAL INSTRUCTIONS	18
09. CONSUMER GUARANTEE	19



Scan the QR code
to access an online
version of this manual



01. What's in the box?

Thank you for choosing our
1080p Dash Camera.

For optimum performance and safety,
please read instructions carefully before usage.

Please keep this manual for future reference.

1x 1080p Dash Camera

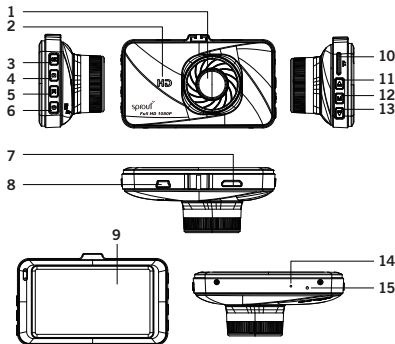
1x Suction mount

1x Car charger

1x User manual

02. Product Overview

- | | |
|-----------------------|--------------------------------------------------|
| 1. Wide angle lens | 9. Display Screen |
| 2. Speaker | 10. Micro SD card slot
(Adapter not included) |
| 3. OK button | 11. Up button |
| 4. Mode button | 12. Menu button |
| 5. Hold button | 13. Down button |
| 6. Power button | 14. Microphone |
| 7. HDMI-out mini port | 15. Reset |
| 8. Mini USB port | |



03. Quick Start Guide

Set the time and date:

- Push the MENU button twice, taking you to the SETUP menu.
- Using the DOWN button highlight the setting named Date/Time and push OK.
- Use the UP and DOWN buttons to cycle through the numbers. Use the OK button to confirm and move between fields.
- Time is set and displayed in a 24-hour format
- After setting the date and time the bottom DD/MM/YY fields are used to change the format of how the date will be displayed.
- Once the date and time have been set, the MENU button can be used to save and exit back to the SETUP menu.

Insert your Micro SD card:

- Insert your Micro SD card (not included) into the Micro SD card slot on the side of the camera.
- Your 1080p Dash Camera is optimised for Micro SD cards Class 4 and above with a capacity up to 32GB.

Install 1080p Dash Camera:

- Clean the interior of your windscreen ensuring installation site does not obstruct the driver's view and is within range of the windscreen wipers to ensure a clear view when raining.
- Attach the 1080p Dash Camera to the included mount by inserting the mount's lock peg into the mounting socket on the 1080p Dash Camera, firmly

03. Quick Start Guide

sliding the mount from right to left along the mount connection locking the DVR in place.

- With the mount's suction cup lock switch in the up position, press the suction cup onto the desired position on your windscreen. Lock the mount in place by pressing the lock switch down.
- Use the nut to adjust the angle and position of the 1080p Dash Camera and tighten to lock your positioning.
- Connect the 1080p Dash Camera to power using the included power supply.
- 1080p Dash Camera will automatically power on and start recording when the car is started.

Set Loop Recording:

Your 1080p Dash Camera has the ability to record in a Loop mode, which means older blocks of video files will be overwritten once the memory card becomes full. You can set the amount of video block time the 1080p Dash Camera will record for before a new video file is started.

To change the length of the videos that the 1080p Dash Camera records follow the directions below:

- Use the MODE button to make sure you are in VIDEO mode (video camera icon will be displayed in the top left corner of the screen).
- Ensure you are not currently recording. If the red circle record indicator is flashing at the top left of the 1080p Dash Camera's screen, push the OK button to stop recording.

03. Quick Start Guide

- Push the MENU button to get to the VIDEO menu.
- Use the DOWN button to highlight the setting named Loop Recording and push OK.
- Use the UP and DOWN buttons to highlight the required video length (The OFF setting will record the longest possible loops keeping the file size under 2GB, which is around 7 minutes at 1080p).
- To confirm selection, push the OK button, the 1080p Dash Camera will take you back to the VIDEO menu.

Set G-Sensor:

The G-Sensor monitors any unnatural bumps or impacts and logs the associated footage as Locked, ensuring any footage of potential crashes is not recorded over with the regular loop footage.

To set the G-Sensor follow the directions below.

- Use the MODE button to make sure you are in VIDEO mode (Video camera icon will be displayed in the top left corner of the screen).
- Ensure you are not currently recording. If the red circle record indicator is flashing at the top left of the screen, push the OK button to stop recording.
- Push the MENU button to get to the VIDEO menu.
- Use the DOWN button to highlight the setting named G-Sensor and push OK.
- Using the UP and DOWN button, highlight the required sensitivity of the G-Sensor (2G is the most sensitive setting only requiring small bumps to log

03. Quick Start Guide

footage as Locked, and 8G is the least sensitive requiring a larger amount of activity to log footage as Locked).

- To confirm selection, push the OK button, the 1080p Dash Camera will take you back to the VIDEO menu.

Set Motion Detection:

Motion Detection monitors on screen movement and will start recording when movement is detected. Motion Detection will also stop recording after 10 seconds of no on screen movement.

To set up Motion Detection on your 1080p Dash Camera follow the directions below.

- Use the MODE button to make sure you are in VIDEO mode (video camera icon will be displayed in the top left corner of the screen).
- Ensure you are not currently recording. If the red circle record indicator is flashing at the top left of the 1080p Dash Camera's screen, push the OK button to stop recording.
- Push the MENU button to get to the VIDEO menu.
- Using the DOWN button highlight the setting named Motion Detection and push OK.
- Use the UP and DOWN buttons to highlight either OFF or ON.
- To confirm selection, push the OK button, the 1080p Dash Camera will take you back to the VIDEO menu.

04. Extra Controls

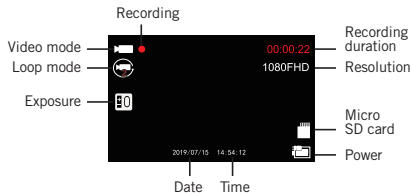
Interface

The 1080p Dash Camera has three modes, VIDEO, STILL and PLAYBACK. You can cycle through these modes using the MODE button. Each mode's respective menu can be accessed by pushing the MENU button. While in the menu, the UP and DOWN buttons are used to navigate, and the OK button is used to select and confirm. The MODE button is used to exit the menu.

Video

This is the default start up screen and is how all recording is triggered. From this screen you can manually start and stop recording using the OK button. Footage can be manually locked by pressing the MENU button protecting it from being recorded over.

When the 1080p Dash Camera is not recording in this mode, the UP button can be used to quickly mute and un-mute the in-built microphone. 'Day' and 'Night' lighting modes can be toggled with the DOWN button.



04. Extra Controls - Video Menu

Mode	Setting	Remark
Resolution	1080FHD: 1920x1080 1080P: 1440x1080 720P: 1280x720 WVGA: 848x480 VGA: 640x480	Higher resolution gives your footage more detail.
Loop Recording	Off, 1min, 2mins, 3mins, 5mins	Defines the length of time the 1080p Dash Camera records before creating a new file.
Exposure	+2.0 +5/3 +4/3 +1.0 +2/3 +1/3 +0.0 -1/3 -2/3 -1.0 -4/3 -5/3 -2.0	Counter balance high or low light conditions. To brighten, adjust to a higher exposure. To darken footage, lower the exposure.
Motion Detection	Off / On	When activated, this feature allows visible movement to trigger recording.
Record Audio	Off / On	Turning this setting off mutes the built in microphone.
Date Stamp	Off / On	Date stamps footage.
G-Sensor	Off / On	Adjusts sensitivity of G-Sensor. 2G is highest, 8G is lowest.

04. Extra Controls - Still Images

This screen is used to take still photos.

In this screen the DOWN button is used to toggle the Day/Night lighting mode.



1. STILL mode
2. Exposure
3. White balance
4. ISO
5. Photo number
6. Resolution/MP
7. Photo quality
8. Micro SD card
9. Power

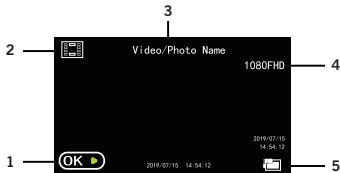
Mode	Setting	Remark
Resolution	5M: 2592x1944 2M: 1920x1080 1.3M: 1280x960 VGA: 640x480	Higher resolution gives your photos more detail.
Sequence	Off / On	Will take a sequence of 3 photos every time the shutter is triggered.

04. Extra Controls - Still Images

Mode	Setting	Remark
Quality	Fine, Normal, Economy	Sets the quality of the image. Lower quality are more space efficient.
Sharpness	Strong, Normal, Soft	Determines camera focus.
White Balance	Auto, Daylight, Cloudy, Tungsten, Fluorescent	Pre-set settings to optimise for your lighting.
ISO	Auto, 100, 200	Higher ISO captures more light and reduces motion blur.
Exposure	+2.0 +5/3 +4/3 +1.0 +2/3 +1/3 +0.0 -1/3 -2/3 -1.0 -4/3 -5/3 -2.0	Counter balance high or low light conditions. To brighten, adjust to a higher exposure. To darken, lower the exposure.
Anti-shaking	Off / On	Reduces the amount of blur caused by shaking.
Quick review	Off, 2 secs, 5 secs	Sets the amount of time a photo will display on the screen after being taken.
Date stamp	Off / On	Date stamps images.

04. Extra Controls - Playback

In this screen the UP and DOWN buttons are used to navigate your videos and photos, and the OK button is used to play and pause selected videos.



1. Play function
2. Playback mode
3. File name
4. Resolution
5. Power

Mode	Setting	Remark
Delete	Delete current Delete all	Allows you to delete either the selected or all photos and videos stored on the inserted Micro SD card.
Lock	Lock current Unlock current Lock all Unlock all	Allows you to lock or unlock the selected, or all videos and photos stored on the Micro SD card.

04. Extra Controls - Settings

Mode	Setting	Remark
Parking Monitor	Off, 2G, 4G, 8G	Sensitivity of the G-Sensor. 2G only requires small bumps to log footage.
Date/Time	*Set time and date*	UP / DOWN buttons cycle through the numbers and the OK button selects and moves between fields. When finished, use the MENU button to save and return to the Settings.
Auto Power Off	Off, 1min, 2mins, 3mins, 4mins, 5mins	Sets the amount of time of inactivity before the 1080p Dash Camera powers down.
Screen saver	Off, 3mins, 5mins, 10mins	Determines the amount of time before the screen powers down (1080p Dash Camera will keep recording).
Beep	Off / On	Mute control for key haptics.
Language	Select language	Change the menu language.
TV mode	NTSC / PAL	Changes the output format.
Frequency	50Hz / 60Hz	Screen Hz settings.
Format	Cancel / OK	Format the inserted Micro SD card, deleting all photos, videos and data.
Default setting	Cancel / OK	Restore factory settings.
Version	OK	Displays the installed firmware version.

04. Extra Controls - Settings

Park Mode:

The 1080p Dash Camera is designed to be primarily powered by your car's DC power. The on-board battery is for short use only and mainly serves to power Park Mode and brief use for documenting external damage in the case of an incident.

To activate 'Park Mode', quickly push the POWER button while in VIDEO mode.

Locked Files:

The on board G-Sensor registers any activity that could be an accident and registers the footage as a 'Locked' file ensuring that the footage cannot be accidentally recorded over. To remove 'Locked' files you must first unlock them using the 'Protect' menu. (Navigate to PLAYBACK mode using the MODE key, select the 'Locked' file, push the MENU button and select 'Protect'). Footage can be manually 'Locked' by pressing the MENU button while recording.

Computer Connection:

Videos and photos can be retrieved from the 1080p Dash Camera by either connecting the camera directly to your computer using the included Mini USB Cable or by connecting the Micro SD card using a Micro SD card adapter (not included).

- When you connect the 1080p Dash Camera to your computer, it will give you the option of 'Mass Storage', or 'PC Camera'. Select 'Mass Storage'.
- Open file explorer on your computer and find the

1080p Dash Camera listed as a removable disk under 'Devices'.

- Videos/Photos will be stored in the file as 'OCIM'.
- For smoother video playback, save video files to your computer. Mac users may need to download a third-party player to play these files as AVI is not natively supported on Apple computers.

05. Specifications

- Screen: 3"
- Lens: 120°
- Imaging Sensor: 5.0MP
- Camera Rotation: 180°
- Minimum Light: 1 Lux
- Video Resolution:
 - 1080FHD: 1920x1080
 - 1080P: 1440x1080
 - 720P: 1280x720
 - WVGA: 848x480
 - VGA: 640x480
- Video Format: .AVI
- Frames: 30 Fps
- Image Resolution: 5M / 2M / 1.3M / VGA
- Photo Format: .JPG
- Motion Detection: Supported
- Memory Card Type: Micro SD Card (up to 32GB)
- Capacity: Support up to 32GB /class 4 upward
- USB Port: USB 2.0
- Power Port: USB 5V / 1A
- Frequency: 50Hz / 60Hz
- Battery Capacity: 300mAh
- Microphone/ Speaker: Built-in
- Languages: English / French / Spanish / Deutsch / Italian / Chinese / Japanese

07. Important Safety Information

- Ensure you are using your 1080p Dash Camera within Australian laws.
- Ensure that your 1080p Dash Camera is securely mounted and does not obstruct or distract the driver in any way.
- Avoid leaving your 1080p Dash Camera in direct sunlight or an unventilated space for extended periods.
- The notifications given on the 1080p Dash Camera are suggestions only, please drive to actual conditions.
- Avoid using the 1080p Dash Camera near any devices that emit radio interference (e.g. Microwave Ovens).
- Always charge the 1080p Dash Camera using the provided charger. Improper charging may result in failure of the internal battery.
- Never dismantle the 1080p Dash Camera or expose the internal battery.
- Only use the 1080p Dash Camera for the purpose that it was intended.

08. Disposal Instructions

At the end of the useful life of your 1080p Dash Camera, please recycle through your local e-waste collection point. If you are unsure of your local e-waste collection point please consult your local council for details.

09. Consumer Guarantee

Our Goods come with consumer guarantees under Australia Consumer Law. Under this legislation you are entitled to a replacement or refund for a major failure, and compensation for any other reasonably foreseeable loss or damage. You are also entitled to have the goods repaired or replaced if they are not of acceptable quality and the failure is not a major failure. If you have any questions about your rights in relation to this product, please return it to point of sale or contact us at www.sproutinc.com.au. For more information about your rights under Australia Consumer Law go to www.accc.gov.au.

Your 1080p Dash Camera is warranted to the original owner for 24 months from the date of purchase against defects in material and workmanship under normal use and service. The warranty does not cover misuse of this product and liability will not exceed the purchase price of the product. If you have any problems while using the product, please do not hesitate to contact our customer support team.

For warranty and technical support please visit sproutinc.com.au or email sproutenquiries@sproutinc.com.au

Thank you for choosing a Sprout product.