




# 115L Vintage Bar Fridge

**Model Number STR-HVBF**

## **INSTRUCTION MANUAL**

**AFTER SALES SUPPORT**

  1300 886 649

 [info@tempo.org](mailto:info@tempo.org)

MODEL: STR-HVBF PRODUCT CODE: 703856 10/2020



# Welcome

Congratulations on choosing to buy a STIRLING® product.

All products brought to you by STIRLING® are manufactured to the highest standards of performance and safety and, as part of our philosophy of customer service and satisfaction, are backed by our comprehensive 3 Year Warranty.

We hope you will enjoy using your purchase for many years to come.

# Contents

- 02 Welcome**
- 04 Warranty Details**
- 05 General Safety Instructions**
- 08 Product Overview**
- 09 Getting Started**
- 13 Instructions**
- 15 FAQs and Troubleshooting Guide**
- 17 Other Useful Information**
- 23 Repair and Refurbished Goods or Parts Notice**



# STIRLING<sup>®</sup>

## 115L Vintage Bar Fridge

# Warranty Details

---

REGISTER YOUR PURCHASE AT [www.aldi.com.au/en/about-aldi/product-registration/](http://www.aldi.com.au/en/about-aldi/product-registration/) TO KEEP UP-TO-DATE WITH IMPORTANT PRODUCT INFORMATION

---



The product is guaranteed to be free from defects in workmanship and parts for a period of 36 months from the date of purchase. Defects that occur within this warranty period, under normal use and care, will be repaired, replaced or refunded at our discretion. The benefits conferred by this warranty are in addition to all rights and remedies in respect of the product that the consumer has under the Competition and Consumer Act 2010 and similar state and territory laws.

Our goods come with guarantees that cannot be excluded under the Australian Consumer Law. You are entitled to a replacement or refund for a major failure and to compensation for any other reasonably foreseeable loss or damage. You are also entitled to have the goods repaired or replaced if the goods fail to be of acceptable quality and the failure does not amount to a major failure.



---

#### AFTER SALES SUPPORT

  1300 886 649

 [info@tempo.org](mailto:info@tempo.org)

MODEL: STR-HVBF PRODUCT CODE: 703856 10/2020

# General Safety Instructions

## READ CAREFULLY AND KEEP FOR FUTURE REFERENCE

Read this manual thoroughly before first use, even if you are familiar with this type of product. The safety precautions enclosed herein reduce the risk of fire, electric shock and injury when correctly adhered to. Keep the manual in a safe place for future reference, along with the completed warranty card, purchase receipt and carton. If applicable, pass these instructions on to the next owner of the appliance.



Pay particular attention to messages that follow this safety alert symbol or the words **DANGER**, **WARNING** or **CAUTION**. These words are used to alert you to a potential hazard that can seriously injure you and others. The instructions will tell you how to reduce the chance of injury and let you know what can happen if the instructions are not followed.



**WARNING: Risk of fire**

This symbol alerts you to take care as the appliance contains flammable materials: isobutane as refrigerant and cyclopentane as insulation blowing gas. While isobutane (R600a) is a gas with a high level of environmental compatibility, it is nevertheless flammable. Do not expose the appliance to high heat, sparks and open flames. During transport and installation, ensure that none of the components of the refrigerant circuit become damaged.

## Refrigerant matters

**WARNING: Do not damage the refrigerant circuit! Never use an appliance with a damaged refrigerant circuit!** If the refrigerant circuit becomes damaged, avoid proximity to open fires and all types of heat and ignition sources. Thoroughly ventilate the room in which the appliance is located.

The room for installing the appliance must be at least 1m<sup>3</sup> per 8g of refrigerant. The amount and type of refrigerant in the appliance can be found in the Technical Specifications on page 19 and on the appliance rating plate.

It is hazardous for anyone other than an authorised service person to service this appliance. In Queensland, the authorised service person **MUST** hold a Gas Work Authorisation for hydrocarbon refrigerants to carry out servicing or repairs which involve the removal of covers.

## Responsible disposal

At the end of its working life, do not throw this appliance out with your household rubbish. Electrical and electronic products contain substances that can have a detrimental effect on the environment and human health if disposed of inappropriately. Observe any local regulations regarding the disposal of electrical consumer goods and dispose of it appropriately for recycling and recovery of the refrigerant and blowing agent. Contact your municipal authorities for advice on recycling facilities in your area.

**WARNING!** This refrigeration appliance contains flammable refrigerants and insulation blowing gases, which must be removed before disposal. Contact your municipal authorities for any codes or regulations concerning the disposal of such materials.

**DANGER! Risk of child entrapment:** When discarding this or another refrigerator, make sure to take off the door and leave the shelves/racks/drawers in place so that children cannot easily climb in and get trapped inside.

# General Safety Instructions (Cont.)

To reduce the risk of fire, electric shock or injury, always follow basic safety precautions and accident prevention measures when using this appliance, including the following:

## Electrical safety

- **Voltage:** Plug the appliance in a 220-240V, 50Hz, properly earthed power outlet, which must be in good working order. Make sure your outlet voltage and circuit frequency correspond to the voltage stated on the appliance rating label.
- **Power connection:** Do not use an adaptor; do not use an extension cord. Plug the power plug directly into a separate power point that cannot easily be turned off accidentally and that is easily accessible so you can switch it off when required.
- **Power cord:** Do not kink or damage the power supply cord.  
**WARNING:** When positioning the appliance, ensure the supply cord is not trapped or damaged.  
**WARNING:** Do not locate multiple portable socket-outlets or portable power supplies at the rear of the appliance.
- **Damage:** Do not operate the appliance if it has malfunctioned or is damaged.
- **Damaged cord:** Do not use a cord that shows cracks or abrasion damage along its length or at either end. Any damage to the cord may cause a short circuit, fire and/or electric shock. If the power cord is damaged, it must be replaced by the manufacturer or its service agent. Contact our after sales support centre for advice.
- **Disconnection:** Never unplug the unit by pulling the cord. Always grip the plug firmly and pull straight out from the power point.
- **Electrical work:** If the installation of this appliance requires any electrical work, make sure it is carried out by a qualified electrician.

## Usage conditions and restrictions

- **Indoor domestic use only:** This appliance is intended for indoor household use only. It is not suitable for industrial or commercial use.
- **Intended purpose:** Do not use this appliance for anything other than its intended purpose, and only use it as described in this manual. Do not attempt to alter or modify this appliance in any way.
- **Usage restrictions:** This appliance is not intended for use by persons (including children) with reduced physical, sensory or mental capabilities, or lack of experience and knowledge, unless they have been given supervision or instruction concerning the use of the appliance by a person responsible for their safety.
- **Children:** Supervise children to ensure they do not play with the appliance. Close supervision is necessary when any appliance is used by or near children. Never allow children to operate, play with or crawl inside the appliance.
- **WARNING!** Do not use any **electrical appliances** (such as ice cream makers) inside refrigeration appliances, unless they are approved for this purpose by the manufacturer.

# General Safety Instructions (Cont.)

- **Protect from water:** Do not place the appliance in a high humidity environment or where there is a chance that it might get splashed with or fall into water (such as near a swimming pool, laundry tub, wash basin or bath).

## Cleaning and maintenance

- **Disconnect:** Unplug the appliance before cleaning or servicing (when the appliance is operating, the condenser and compressor will be hot). Failure to disconnect it before cleaning can result in electric shock, injury or death. Do not connect or disconnect the plug when your hands are wet.
- **Flames:** Do not let open flames or ignition sources enter the appliance.
- **Flammable/explosive substances:** Never clean this appliance with flammable fluids. Do not store or use volatile, flammable or explosive substances such as aerosol cans with a flammable propellants in or close to this or any other appliance. The fumes can create a fire hazard or explosion.
- **Solvents:** Do not use solvent based cleaning agents or abrasives on the interior as these may damage or discolour the surfaces of the appliances.
- **WARNING!** Do not use **mechanical devices** or other means to accelerate the defrosting process. Never use a sharp or metal instrument to remove frost or clean the appliance. Use a plastic scraper, if necessary.
- **Service:** Do not attempt to repair, modify or replace any part of the appliance unless specifically recommended in this manual. Refer all other servicing to a qualified technician, or contact the after sales support line for advice on examination or repair of the appliance.

## Installation (see pages 10–12 for more comprehensive installation instructions)

- **Heavy:** This fridge is heavy, take care when moving it. To avoid injury, consider a two person lift or mechanical aid when installing it. Failure to do so can result in back or other injury.
- **Freestanding design:** This appliance is designed to be freestanding only and should not be recessed or built in. Do not place anything on top, keep the top clear.
- **Keep it upright:** Do not tilt the fridge more than 45° from upright when moving it.  
**WARNING:** Never put the appliance upside down.
- **Handle with care:** Do not apply force to any part such as the condenser or door.
- **WARNING: Ventilation:** To ensure proper ventilation, keep any ventilation openings, in the appliance enclosure or in the built-in structure, clear of obstructions. Ensure adequate air circulation around the appliance to prevent overheating.
- **Level:** Install the appliance level in order to ensure proper operation. If necessary, adjust the levelling legs at the bottom of the unit.

# Product Overview

## Scope of delivery



### A Front view (open)

- 1 Adjustable thermostat
- 2 Interior light
- 3 Adjustable glass shelves
- 4 Shelf-hanging wine rack
- 5 Glass crisper cover
- 6 Crisper drawer
- 7 Adjustable feet
- 8 Door balconies (3)

### B Installation hardware (not shown)

- Door handle
- 2 Long screws
- 2 Small screws

### C Documentation (not shown)

- Instruction manual
- Quick start guide
- Warranty certificate

**NOTE:** Due to continued product improvement, images and illustrations in this manual may vary slightly from the product purchased. All images in this manual are for reference purposes only. Parts are not necessarily pictured to scale.

# Getting Started

## Unpacking

- **Packaging materials:** This product has been packaged to protect it against transportation damage. Remove all packaging materials from around and inside the appliance, **but do not remove any foam insulation surrounding the pipes at the back.** Keep the original packaging carton and materials in a safe place. It will help prevent any damage if the product needs to be transported in the future, and you can use it to store the appliance when it is not in use. In the event that the carton is to be disposed of, please recycle all packaging materials where possible.

Plastic wrapping can be a suffocation hazard for babies and young children, so ensure all packaging materials are out of their reach and disposed of safely.

- **Parts:** Check to ensure you have all the parts pictured on page 8.
- **Damage:** When unpacking, check the appliance carefully for damage. If it is damaged, do not install the appliance. Contact our after sales support centre for advice on examination or return of the damaged appliance.
- **Power cord:** Unwind the power cord to its full length and inspect it for damage. Do not use the appliance if the appliance or its cord has been damaged or is not working properly.
- **Read the manual:** Before installing your new bar fridge, read all safety instructions, especially the sections on installation and electrical safety on pages 6–7. Then follow the installation instructions on the next pages.
- **Door handle installation:** The door handle comes unattached due to packaging restrictions. It is easily attached following the instructions on page 11.
- **Clean:** Make sure the bar fridge is disconnected from the power supply. Clean the interior surfaces and all internal accessories with lukewarm water with a little baking soda added (about 2 tablespoons of baking soda to 1 litre of water) and a soft cloth. This will remove any dust from transit and storage and help remove the typical smell of a brand new product. Dry thoroughly.

**CAUTION:** Do not use harsh or abrasive detergents or powders as these will damage the finish.

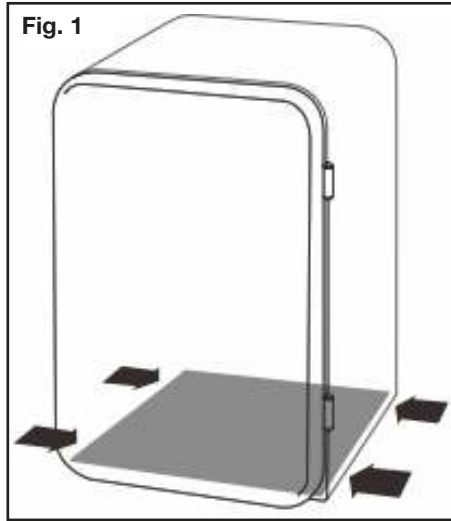
After washing the interior parts and surfaces, open the fridge door for ventilation of the internal compartments.

# Getting Started (Cont.)

## Fridge installation

### **WARNING: Handle with care!**

Do not apply force to any part such as the condenser or door. The metal rails on the bottom underneath of this refrigerator (Fig. 1) may have sharp edges, so always unpack and handle with care. **Do not drag the unit: place it carefully in position to avoid scratching the floor.**



## Location

- Install the appliance in an area that meets the following requirements:
  - The ambient temperatures must correspond to the climate class (T) indicated on the rating plate of the appliance: 16°C to 43°C.
  - The floor must be sturdy, level and strong enough to support the unit when fully loaded.
- If the fridge is to be placed on carpet, support it with a wooden board underneath. Be aware that placing the refrigerator on carpet may mean that heat from the compressor may cause the carpet to fade.
- **Avoid areas** where the appliance would be exposed to direct sunlight, sources of heat (stove, heater, radiator, etc.), extremely cold ambient temperatures or excessive moisture and high humidity (such as outdoors or exposed to wind, rain, water spray or drips). Installing it in the coolest area of the room will save energy use and running costs.

# Getting Started (Cont.)

## Space requirements

- **Door opening:** Place the unit so there is enough space for the door to open.
- **Clearances:** Ensure that air can circulate freely around the back of the cabinet, which is necessary to cool the compressor and condenser. Allow at least 10cm clear space at the back and sides of the unit.

## Levelling

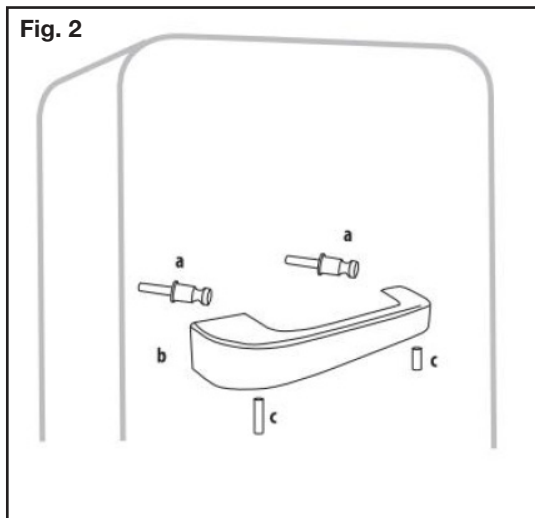
The appliance must be installed level in order to work properly. If the unit is not level, the doors and magnetic seal alignments will not be covered properly.

- To level the unit, adjust the levelling feet at the base of the cabinet.

## Door handle installation

The door handle comes unattached due to packaging restrictions. It is easily attached following the instructions below (Fig. 2).

- Affix the two long screws (a) to the fridge door.
- Place the metal handle (b) over the two fixed screws, matching the holes in the handle.
- Fasten the other two screws (c) at the bottom of the handle.



# Getting Started (Cont.)

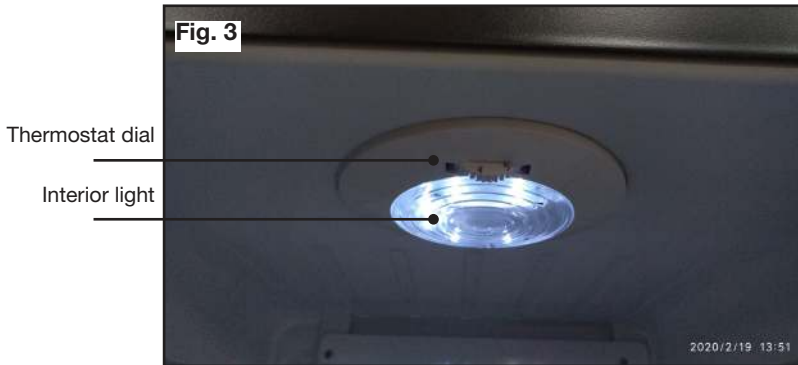
## Electrical connection

- **WARNING!** It must be possible to disconnect the appliance from the mains power supply; the plug must therefore be easily accessible after installation.
- **Before plugging in your new bar fridge, let it stand upright for approximately 24 hours.** This will allow the refrigerant gases to settle into the compressor and reduce the possibility of a malfunction in the cooling system.
- The appliance must be earthed. The plug of the power supply cord is equipped with a contact for this purpose. Do not under any circumstances cut or remove the third (earth) prong from the power cord. If the plug does not fit your outlet, consult a licensed electrician for advice to have the outlet changed.
- Plug the unit into a dedicated, properly installed and earthed wall outlet. Ensure that your outlet voltage and circuit frequency correspond to the voltage stated on the appliance rating label.
- Secure the power supply cord behind the unit. Do not leave it exposed or dangling to prevent injury and accidental disconnection from the power supply.
- Adjust the temperature control as described on the next page.
- **When first starting up, and after a period out of use, allow the unit to cool down on the maximum setting for at least 2 hours before placing perishable food in the fridge.**

# Instructions

## Thermostat control

- The control for regulating the temperature in the bar fridge is located on the ceiling of the cabinet (see Fig. 3, below). The higher the number on the dial, the colder the temperature in the cabinet (“1” is the warmest setting and “7” is the coldest setting).



- The first time you turn the unit on, set the thermostat control to the coldest position (7). After approximately four hours, adjust it to the setting that best suits your needs – a middle setting (at position 3–4) should be appropriate in most cases for general operation, which will avoid over-cooling and damaging the compressor.
- Setting 0 = Off (not operating)  
Setting 1 (MIN) = lowest setting (warmest internal temperature)  
Setting 7 (MAX) = highest setting (coldest internal temperature)
- Adjust the internal temperature as required according to the quantity of food you have inside the compartment and the ambient temperature.
- The internal temperature varies in different parts of the refrigerator. The back of the refrigerator is the coldest area.
- To turn the refrigerator off, turn the thermostat to the “0” position, which will stop the cooling cycle, then disconnect the power supply cord from the wall outlet in order to shut off power to the unit.

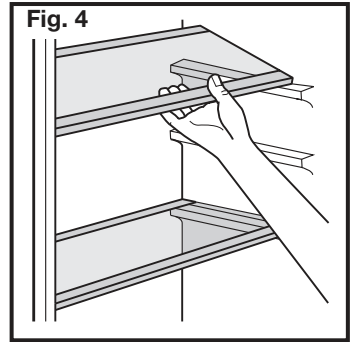
**NOTE:** The unit may not work at the set temperature on particularly hot days, or if the door is opened too frequently. **To ensure efficient operation, do not open the door unnecessarily or for prolonged periods of time.**

If the refrigerator is unplugged, turned off or has lost power, you must wait 3 to 5 minutes before restarting the unit. If you attempt to restart before this time delay, the refrigerator will not start.

# Instructions (Cont.)

## Food storage

- The **refrigerator compartment** is suitable for short-term storage of fresh food. The temperature inside varies depending on the amount of food stored, the ambient temperature and the frequency of door opening. Adjust the thermostat accordingly.
- In order to maintain good cooling efficiency and save energy, we recommend you do not open the door for too long or too often. Do not overload the bar fridge, and keep enough space around items for cold air flow. Do not block ventilation openings.
- The walls of the bar fridge are equipped with a series of runners so that the **shelves** can be positioned to suit individual storage requirements (Fig. 4).
- In order to keep fruit and vegetables fresh in the **crisper**, make sure the cover sits firmly on top of the crisper drawer.
- Two wine bottles may be stored conveniently in the shelf-hanging **wine rack**. If you do not require this wine rack, or to remove it for cleaning, pull the shelf that holds the rack completely out of the fridge, then slide the wine rack off the side of the shelf.



## Energy saving tips

- Place the fridge in the coolest area of the room, away from heat-producing appliances and out of direct sunlight.
- Let heated food and beverages cool to room temperature before placing them into the fridge.
- Do not overload the fridge as it forces the compressor to run longer.
- Wrap foods properly and wipe containers dry before placing them in the fridge. This cuts down on frost build-up inside the fridge.
- Do not line any fridge storage bin with aluminum foil, wax paper or paper towels. Liners interfere with cold air circulation, reducing cooling efficiency.
- Position food so that air can circulate freely around it.
- Do not leave the fridge door open for longer than required.
- Make sure no food touches the back of the compartment.
- Do not set the thermostat to the maximum (coldest) setting for longer than required.

# FAQs and Troubleshooting Guide

If you experience a problem with your bar fridge, check in the following table for solutions to help you solve the problem. If after these checks you still have a problem with your bar fridge, contact our after sales support centre for advice.

<b>Problem</b>	<b>Possible cause</b>
The fridge does not operate.	<ul style="list-style-type: none"> <li>• It is not plugged in. Ensure it is properly plugged in and there is power at the socket (plug another appliance into the outlet to check).</li> <li>• The circuit breaker tripped or has blown a fuse.</li> <li>• The fridge temperature control is set too low.</li> <li>• A general power outage has cut power to your home (check the household lights).</li> </ul>
The fridge is too cold.	<ul style="list-style-type: none"> <li>• The thermostat dial may be set too high.</li> </ul>
The fridge turns on and off frequently.	<ul style="list-style-type: none"> <li>• The room temperature is hotter than normal.</li> <li>• A large amount of food has been added to the fridge.</li> <li>• The door is opened too often.</li> <li>• The door is not closed completely.</li> <li>• The temperature control is not set correctly.</li> <li>• The door gasket does not seal properly.</li> <li>• The fridge does not have the correct clearances.</li> </ul>
There are vibrations.	<ul style="list-style-type: none"> <li>• The fridge is not level.</li> </ul>
The fridge seems to make too much noise.	<ul style="list-style-type: none"> <li>• The rattling noise may come from the flow of the refrigerant, which is normal.</li> <li>• As each cycle ends, you may hear gurgling sounds caused by the flow of refrigerant.</li> <li>• Contraction and expansion of the inside walls may cause popping and crackling noises.</li> <li>• The fridge is not level.</li> </ul>
The door will not close properly.	<ul style="list-style-type: none"> <li>• The fridge is not level.</li> <li>• The gasket is dirty or bent.</li> <li>• The shelves, bins or baskets are out of position.</li> </ul>
The fridge door will not open.	<ul style="list-style-type: none"> <li>• If the door has just been opened, leave it for a few minutes to allow the air pressure to equalise before trying again.</li> </ul>

# FAQs and Troubleshooting Guide (Cont.)

<p>Moisture forms on the inside or outside walls of the bar fridge.</p>	<ul style="list-style-type: none"><li>• Hot and humid weather increases the internal rate of frost build-up. This is normal.</li><li>• Open the door less often and make sure it is always properly closed.</li></ul>
<p>The external fridge surface is warm.</p>	<ul style="list-style-type: none"><li>• The exterior walls can be warmer than room temperature. This is normal while the compressor works to transfer heat from inside the fridge cabinet.</li></ul>
<p>The compressor runs continuously.</p>	<ul style="list-style-type: none"><li>• The temperature is set too cold: select a lower (warmer) setting.</li><li>• The door is open, or something is obstructing proper door closure.</li><li>• The door gaskets are worn, dirty or damaged.</li><li>• Large quantities of food have been added to the fridge.</li><li>• The room temperature is hotter than usual.</li></ul>

# Other Useful Information

## **WARNING!**

To reduce the risk of electric shock or injury, always switch off the appliance and disconnect it from the power supply before defrosting, cleaning or maintenance.

## **Defrosting the bar fridge**

- The surface of the evaporator (at the back inside wall of the refrigerator cabinet) ices up when the refrigerator is working. This is an entirely normal part of operation. For efficient operation and minimum energy consumption, the refrigerator must be defrosted and cleaned when the frost on the evaporator has built up to about 3mm thickness.
- Turn the temperature control to the minimum position, unplug the appliance and remove all food items from inside the fridge. Leave the door open for quick defrosting. Place an old towel underneath the appliance to collect any spillage.
- During defrosting, the ice melts into the bottom of the refrigerator. Use a sponge or towel to wipe the water off the fridge floor.
- After defrosting, clean the refrigerator according to the instructions below, then return the thermostat dial to the appropriate position.

## **WARNING!**

- Never use sharp or metallic tools to scrape off frost as it may damage the cooling system. To scrape ice off surfaces, use a plastic scraper.
- Do not use boiling water to accelerate defrosting because it may damage any plastic parts.

## **Cleaning the bar fridge**

- Turn the temperature control to the minimum position, unplug the bar fridge and remove the food, shelves and crisper drawer.
- Wash the inside surfaces and the interior accessories with a damp, warm cloth moistened in a water and baking soda solution (about 2 tablespoons of baking soda to 1 litre of water). Wring excess water out of the cloth before cleaning around the temperature control or any electrical parts. Rinse and wipe dry with a soft cloth.
- Clean the outside of the unit with a damp, well wrung out cloth. Keep the door gasket (seal) clean.
- Accumulation of dust at the condenser increases energy consumption. For this reason carefully clean the condenser at the back of the appliance once or twice a year with a soft brush or a vacuum cleaner brush attachment.
- After everything is dry, place appliance back into service.

# Other Useful Information (Cont.)

## **WARNING!**

- Never clean the unit with an abrasive, acid, oil or solvent based cleaning agent, or with abrasive pads or scourers. Never use flammable fluids or sprays for cleaning as the fumes from these substances can create a fire hazard or explosion.
- Never clean the appliance with a steam cleaner. Moisture could accumulate in the electrical components, danger of electric shock! Hot vapours can lead to the damage of plastic parts.
- The appliance must be completely dry before it is placed back into service.

## **IMPORTANT!**

- Ethereal oils and organic solvents can attack plastic parts, e.g. lemon juice or the juice from orange peel, butyric acid, or cleansers that contain acetic acid. Do not allow such substances to come into contact with the appliance parts.

## **Changing a shelf position**

Grip the shelf, lift it slightly and then pull it straight out of the compartment, keeping it flat. To install the shelf at a different level, slide the shelf carefully into the appropriate groove, holding it firmly to prevent breakage.

## **Power failure**

Most power failures are corrected within a few hours and should not affect the temperature inside your fridge, if you minimise the number of times the door is opened. However, if the power is going to be off for a longer period of time, you need to take proper steps to protect your food.

## **Going away?**

**Short vacation:** Leave the fridge operating during vacations of less than a month.

**Long vacation:** If you are not going to use the bar fridge for longer periods, remove all food and unplug the power cord. Clean and dry the interior thoroughly. To prevent odour and mould growth, leave the door open slightly, blocking it open, if necessary. (Restrict children's access to the room with the open fridge to avoid creating a child entrapment risk.)

## **Moving the fridge**

Unplug the fridge and remove all food from inside. Securely tape down the drawer and shelves and tape the door shut. Turn the levelling feet up to the base to avoid damage.

**CAUTION:** Never pick up the refrigerator by the door.

Protect the outside of the unit with a blanket or similar soft material and make sure the fridge stays secure in the upright position during transportation.

# Other Useful Information (Cont.)

## Service, repair and spare parts

Do not attempt to alter or modify this appliance in any way.

Do not attempt to repair or replace any part of the appliance unless it is specifically recommended in this manual. All other servicing should be referred to a qualified technician. Contact our after sales support line for advice.

Our after sales support centre stocks spare shelves for the STIRLING 115L Bar Fridge (STR-HVBF). To purchase a shelf, call the centre on 1300 886 649 or email us at [info@tempo.org](mailto:info@tempo.org).

The interior light bulb (1W LED, 5mm  $\varnothing$ ) is long-lasting and cannot be replaced.

## Technical specifications

Model	STR-HVBF
Rated voltage	220–240V~
Rated frequency	50Hz
Rated current	0.8A
Climate class	T
Capacity	115L
Refrigerant	R600a (17g)
Insulation blowing agent	Cyclopentane
Dimensions	835 (H) x 550 (W) x 583 (D) mm
Weight (approx.)	33kg

## Compliance

This product has been fully tested and meets all requirements as set out by standards AS/NZS 60335.1 and AS/NZS 60335.2.24.



The RCM Mark (Regulatory Compliance Mark) indicates that the product complies with the relevant guidelines of the ACMA as well as corresponding government requirements for the safety of electrical devices.

# Other Useful Information (Cont.)

## Responsible disposal

- At the end of its working life, do not throw this appliance out with your household rubbish. Electrical and electronic products contain substances that can have a detrimental effect on the environment and human health if disposed of inappropriately. Observe any local regulations regarding the disposal of electrical consumer goods and dispose of it appropriately for recycling and recovery of the refrigerant and blowing agent. Contact your municipal authorities for advice on recycling facilities in your area.
- This refrigeration appliance contains flammable refrigerants and insulation blowing gases, which require specialist waste disposal. Contact your municipal authorities for any codes or regulations concerning the disposal of such materials.
- **DANGER: Risk of child entrapment and chemical hazard!** When discarding the fridge, be sure to make any locks unusable. Take off the door and leave the shelves in place so that children cannot easily climb in and get trapped inside.

This page has been left blank intentionally.

This page has been left blank intentionally.



# STIRLING<sup>®</sup>

115L Vintage Bar Fridge

## Repair and Refurbished Goods or Parts Notice

---

Unfortunately, from time to time, faulty products are manufactured which need to be returned to the supplier for repair.

Please be aware that if your product is capable of retaining user-generated data (such as files stored on a computer hard drive, telephone numbers stored on a mobile telephone, songs stored on a portable media player, games saved on a games console or files stored on a USB memory stick) during the process of repair, some or all of your stored data may be lost. **We recommend you save this data elsewhere prior to sending the product for repair.**

You should also be aware that rather than repairing goods, we may replace them with refurbished goods of the same type or use refurbished parts in the repair process.

**Please be assured though, refurbished parts or replacements are only used where they meet ALDI's stringent quality specifications.**

If at any time you feel your repair is being handled unsatisfactorily, you may escalate your complaint. Please telephone us on 1300 886 649 or write to us at:

Tempo (Aust) Pty Ltd ABN 70 106 100 252  
PO BOX 6056 Frenchs Forest, Sydney, Australia NSW 2086  
Tempo Help Desk: 1300 886 649 (Aust)  
(Operating Hours: Mon-Sat 09:00am to 06:00pm AEST)  
Email: [info@tempo.org](mailto:info@tempo.org)





## Warranty returns

Should you for any reason need to return this product for a warranty claim, make sure to include all accessories with the product.

## Product does not work?

If you encounter problems with this product, or if it fails to perform to your expectations, make sure to contact our After Sales Support Centre on 1300 886 649 for advice.

For an electronic copy of this manual, go to [www.stirlingappliances.com.au](http://www.stirlingappliances.com.au) and download a copy, or contact our after sales support centre.

### Instruction Manual Revision Index

Version No	Issue Date	Description
V1.0	16 July 2020	Original release
V1.1	20 July 2020	Minor updates, pages 8, 19
V1.2	23 July 2020	Minor update, page 19
V1.3	23 July 2020	Minor update, page 6