



# **Installation Instructions**

Stoves Richmond 100/110cm Electric Induction

## **Table Of Contents**

<b>INSTALLATION INSTRUCTIONS .....</b>	<b>1</b>
<b>BEFORE INSTALLATION .....</b>	<b>3</b>
<b>LEVELLING THE COOKER .....</b>	<b>3</b>
<b>ADJUSTING HEIGHT OF REAR WHEELS .....</b>	<b>3</b>
<b>FITTING THE DECORATIVE COVER PLINTH (IF     REQUIRED) .....</b>	<b>3</b>
<b>FITTING A TOWEL RAIL (APPLICABLE TO 90CM, 100CM     AND 110CM RICHMOND RANGE COOKERS) .....</b>	<b>4</b>
<b>DIMENSIONS &amp; CLEARANCES .....</b>	<b>5</b>
<b>CONNECTING TO THE ELECTRICITY SUPPLY TERMINAL BLOCK .....</b>	<b>7</b>
<b>COMMISSIONING .....</b>	<b>10</b>
<b>TECHNICAL DATA .....</b>	<b>11</b>
<b>ENERGY DATA TABLE .....</b>	<b>12</b>

# INSTALLATION INSTRUCTIONS



## **WARNING**

Ensure that the appliance is switched off before replacing the lamp to avoid the possibility of electric shock.



## **WARNING**

Danger of fire: do not store items on the cooking surfaces.



## **WARNING**

Servicing should be carried out only by authorised personnel.



## **WARNING**

**FAILURE TO INSTALL APPLIANCES CORRECTLY IS DANGEROUS AND COULD LEAD TO PROSECUTION.**



## **WARNING**

Do not modify this appliance.



## **WARNING**

This appliance must be earthed.



## **CAUTION**

Make sure that you have removed all packaging and wrapping. Some of the items inside this appliance may have additional wrapping. It is recommended that you wash the oven shelves, baking tray, air fry basket, grill pan and grill pan trivet before their first use in hot soapy water. This will remove the protective oil coating. It is advised that you turn the ovens and grill on for a short while. This will burn off any residues left from manufacturing. There may be a smell which accompanies this process- but this is nothing to worry about and is harmless.



## **CAUTION**

We recommend that the appliance is connected by a competent person who is a member of a 'Competent Person Scheme' who will comply with the required regulations.



## **CAUTION**

Ensure that you route all main cables well clear of any adjacent heat source.

**CAUTION**

Connection should be made with a suitable flexible cable able to withstand a temperature rise of at least 70°C.

**CAUTION**

The space for air circulation, located underneath and at the back of the hob improves reliability by ensuring that it will cool down efficiently.

**CAUTION**

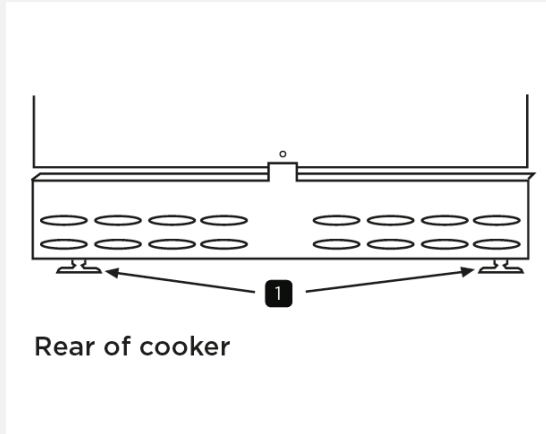
Although every care has been taken to ensure this appliance has no sharp edges, we recommend that you wear protective gloves when installing and moving this appliance. This will help to prevent injury.

**CAUTION**

Our policy is one of constant development and improvement, therefore we cannot guarantee the strict accuracy of all our illustrations and specifications. Changes may have been made subsequent to publishing.

# BEFORE INSTALLATION

## LEVELLING THE COOKER



Rear of cooker



### NOTE

- The levelling feet are supplied with two locknuts, which can be used when adjusting the cooker height to worktop heights between 900-930mm.
- When adjusting the cooker height to worktop heights a little lower than 900mm, please remove one of the locknuts from each foot to be able to adjust the height of the cooker lower.

1. Place a spirit level on a baking sheet onto an oven shelf.
2. The cooker is fitted with levelling feet (see below diagram). Level the cooker to the desired height using the levelling feet at the front and rear of the cooker.

## ADJUSTING HEIGHT OF REAR WHEELS

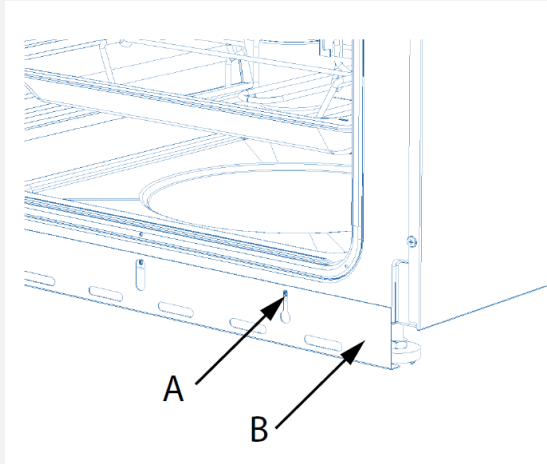


1. Open the lower doors.
2. Adjustment of the rear wheel height can be made with a flat-headed screw driver, inserted through the circular holes in the lower front frame.

## FITTING THE DECORATIVE COVER PLINTH (IF REQUIRED)

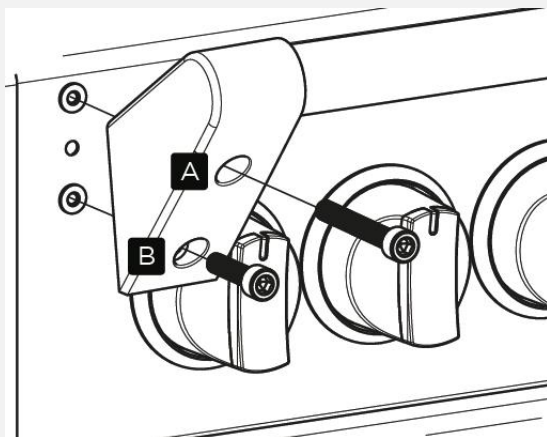
If the levelling feet have been adjusted so that the cooker has been raised higher and the feet are visible, the decorative cover plinth can be attached to help conceal the feet as follows:

1. Release the screws (A) by a couple of turns using a hand screwdriver. Do not remove the screws completely.
2. Align the keyway slots in the cover plinth (B) with the screws (A) and hang the cover plinth on the screws.
3. Adjust the cover plinth to the required height position.
4. Tighten the screws hand-tight to hold the cover plinth in position. Do not use power tools.



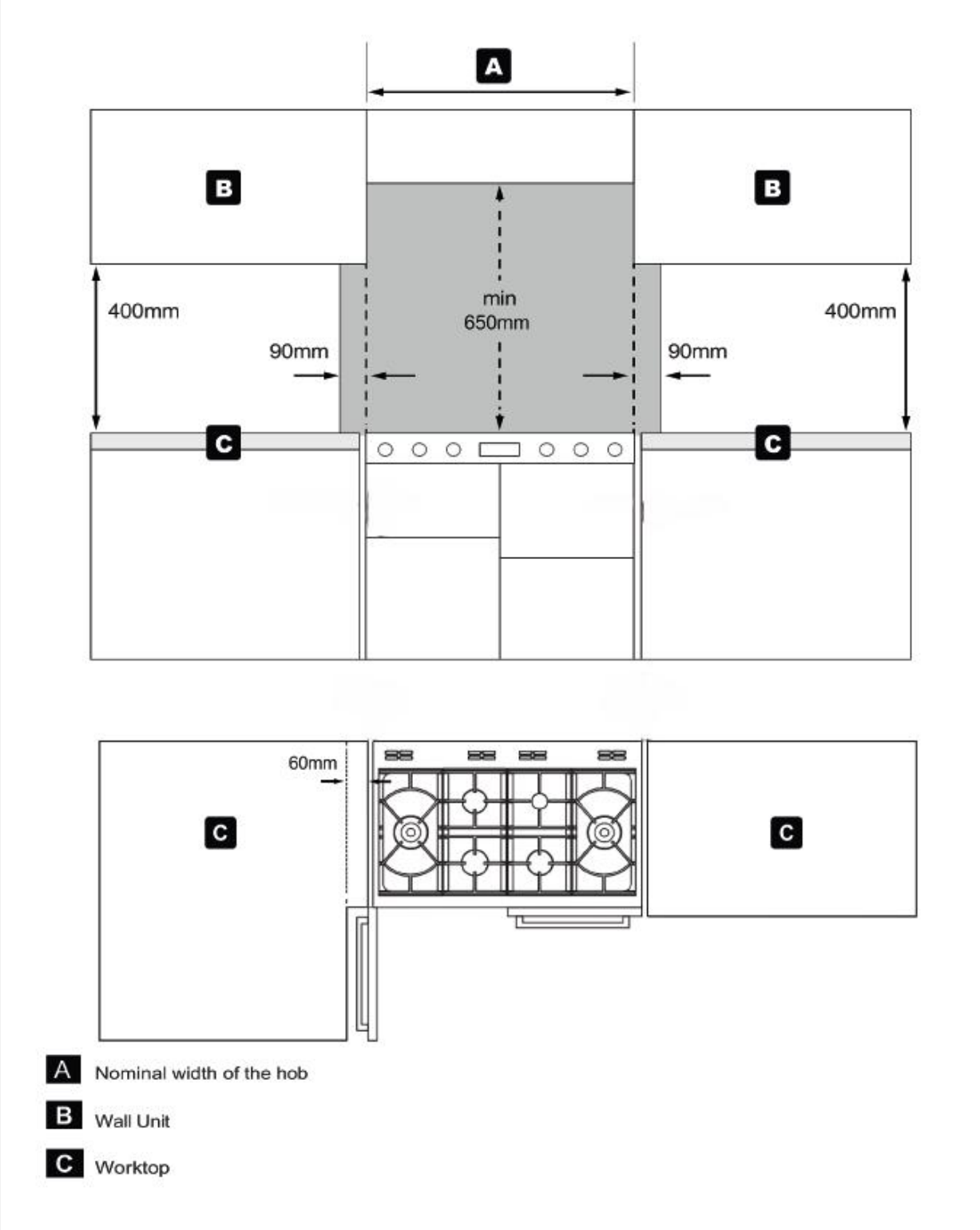
## **FITTING A TOWEL RAIL (APPLICABLE TO 90CM, 100CM AND 110CM RICHMOND RANGE COOKERS)**

1. Line up the two holes at each end of the towel rail with the two holes at each end of the fascia panel.
2. 4 x M6 screws and an allen key are provided with the cooker.
3. Insert the longer screws into the upper hole (A on the diagram), and the shorter screws into the lower hole (B on the diagram).
4. Using the allen key provided, tighten the screws, making sure that the towel rail is flush to the fascia, but not over-tightened.



# DIMENSIONS & CLEARANCES

## CUPBOARD/HOOD CLEARANCES



**The hot-zone area is shown shaded in grey. This area must be kept free of combustible materials.**

#### CUPBOARD/ HOOD CLEARANCES



##### **WARNING**

**No shelf or overhang of combustible material, or cooker hood, may be lower than 650mm above the hob.**

- **If your appliance has a side opening door, we recommend a side clearance of 60mm to allow the oven door to fully open, if the appliance is placed next to a wall or side cabinets at a right angle. This side clearance is not required if the appliance is installed in between a run of units.**
- **The area above and either side of the hob level must be kept clear of combustible materials for 90mm in the horizontal plane, up to a height of 400mm in the vertical plane.**
- **The cooker may be fitted flush to the adjacent kitchen base units.**

# CONNECTING TO THE ELECTRICITY SUPPLY TERMINAL BLOCK



## WARNING

This appliance must be earthed.

This appliance must be connected by a competent person, who is a member of a recognised 'Competent Persons Scheme' and who will comply with all EU and local regulations.

The maximum power is detailed in the technical data tables towards the back of this manual and on the rating label placed on the back of the appliance.

For all types of connection (three-phase or single-phase), leave in place the connecting bars situated on the neutral connecting terminals.

Then, fit the neutral and earth power cables to the corresponding connecting terminals. Firmly tighten the screws, but without forcing too much.

Single-phase: Concerning a single-phase connection, place both brass connecting bars between L1 + L2 + L3. Then, link the mains supply's phase live wire to the L2 connecting terminal.

Finally, tighten all the connecting terminals' screws without forcing too much (see diagram).

Multi-phase: Concerning a tri-phase connection, remove the brass connecting bars from the live terminals and connect respectively the 3 cables of the 3 phases to each of the corresponding terminals: L1 to L3.

Leave in place the neutral connecting bars.

The appliance must be fitted to a switch providing all pole disconnection with a minimum contact separation of 3mm.



## NOTE

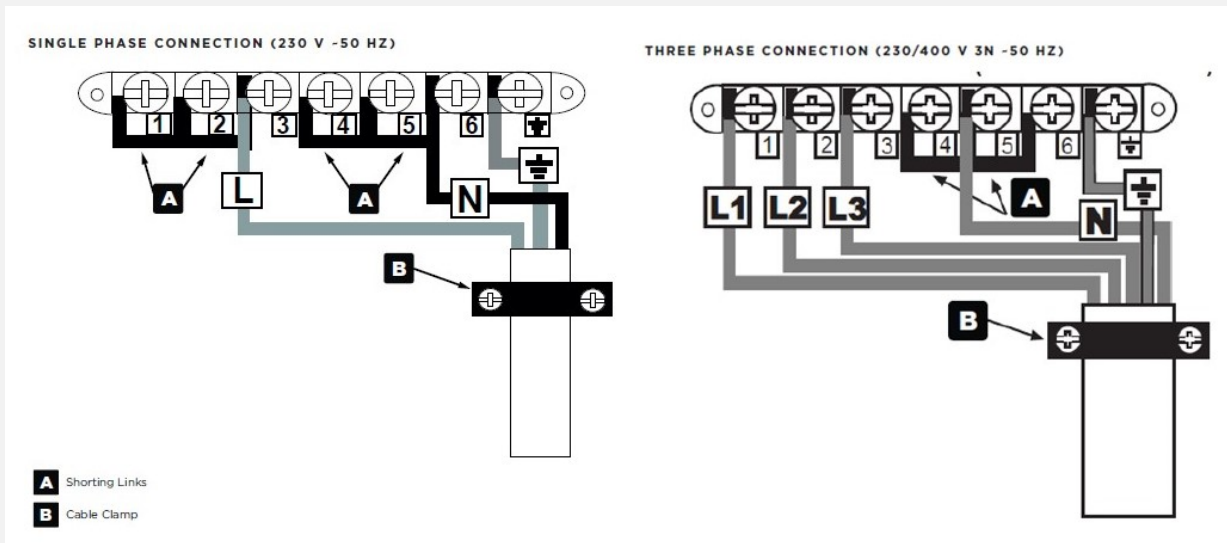
The terminal block screws and clamps can be damaged by excessive tightening and untightening.

DO NOT USE POWER TOOLS!

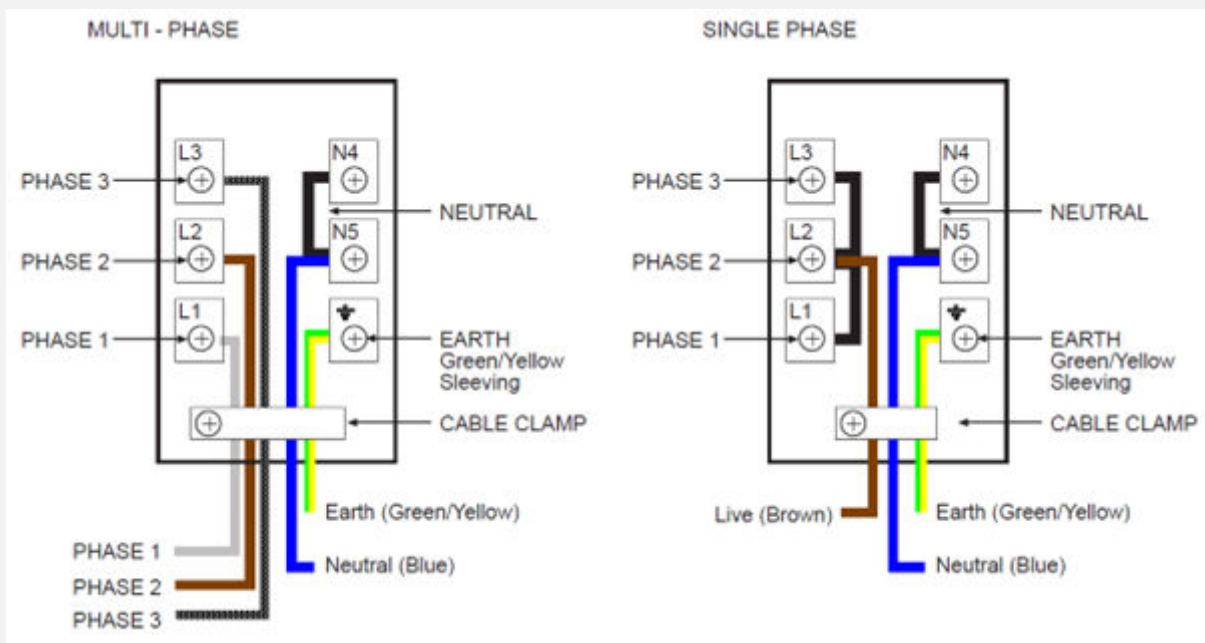


## IMPORTANT

For installation purposes you will have one of the following terminal block connections. Please use the one that is fitted to your appliance for installation.



Connect cable L to terminal 3. Connect cable N to terminal 6. Earth to  terminal. Ensure shorting links are fitted between terminals 1-2, 2-3, 4-5 and 5-6.



1. Access to the mains terminal is gained by removing the terminal block cover at the rear of the appliance (if fitted).
2. Connection should be made with a suitable flexible cable.
3. First strip the wires then push the cable through the cable clamp.
4. Connect the cable to the terminal block and tighten the cable clamp screws (see diagram).
5. Refit the terminal box cover.
6. Sufficient cable should be used to allow the cooker to be pulled out but must hang clear of the floor so it does not become

**twisted or trapped when the cooker is pushed back.**

- 7. Please ensure that the user has a copy of the Quick Start Guide and the appliance is in place.**
- 8. The appliance will be fitted with the terminal block shown above; for multi-phase installations please remove the links from terminals L1, L2 and L3 only. Leave neutral links fitted to terminals N4 and N5.**
- 9. Close the terminal box, ensuring that the cover is engaged on the locking tabs.**

# COMMISSIONING

## CHECK OPERATION OF ELECTRICAL COMPONENTS

Clock Programmer/ Minute Minder

- **Check functions as described in the Quick Start Guide.**
- **Set the time of day on the timer.**

Oven Light & Convection Fan

- **Open the main oven door. Turn the main oven control knob to the defrost setting. Check the oven light and convection fan both come on. Turn control knob back to 'OFF' position.**

**If you are satisfied that the cooker is operating correctly, turn it off and show the customer how to use it. Make sure you ask the customer to operate the clock (if fitted) and controls.**



### **NOTE**

**If the cooker does not perform correctly, inform the customer of the problem and put a warning notice on the cooker. If the problem is dangerous, then disconnect the cooker. If there is a fault then the customer should be advised to contact the manufacturer's local service organisation or the retailer.**

**Before leaving the installation hand over the Quick Start Guide to the customer.**

# TECHNICAL DATA



## WARNING

This cooker must be earthed.

<b>Data badge</b>	<b>Lower part of the front frame</b>
<b>Appliance class</b>	<b>Class 1 - freestanding cooker</b>
<b>Electrical supply</b>	<b>230 - 400V ~3N ~ 50 Hz</b>
<b>Load</b>	<b>15165W (Induction Unit 7400W)</b>
<b>Standard Oven Light</b>	<b>25W</b>

<b>Hob Top Hotplate</b>	<b>Electrical Supply</b>	<b>Zone Load (W)</b>
Induction	230V	Left hand front 1600W (3000W Boost)
		Left hand rear 1600W (3000W Boost)
		Right hand front 1150W (2200W Boost)
		Right hand rear 1400W (3000W Boost)
		Centre 2300W (3700W Boost)

<b>Appliance Electrical Supply</b>	<b>Oven Cavity &amp; Function Load (W)</b>
230V	Right hand oven: Digital Oven; Air Fry function 3166W Left hand oven: Fanned Oven 1880W
	Right hand bottom: Slow Cook 147W
	Top Cavity: Dual Grill 2504W

# ENERGY DATA TABLE

Regulation (EU) 65/2014:

<b>Product Name: Stoves Richmond 100/110cm Electric Induction</b>	
<b>Brand:</b>	Stoves
<b>Size:</b>	100cm or 110cm
<b>Number of cavities</b>	4

## Energy Efficiency

<b>Hob</b>			
<b>Fuel Type</b>	Induction		
<b>Number of cook zones</b>	5 Electric Zones		
	<b>Symbol</b>	<b>Value</b>	
<b>Energy Efficiency per cook zone</b>		<b>Cook zone</b>	
	<b>Electric Zone</b>	<b>Zone 1: 215cm*390cm/180</b>	192.7 Wh/kg
		<b>Zone 2: 215cm*390cm/150</b>	186.4Wh/kg
		<b>Zone 3: 215cm*390cm/210</b>	200Wh/kg
		<b>Zone 4: 230cm/240cm</b>	188.9Wh/kg
		<b>Zone 5: 200cm/210cm</b>	180Wh/kg
		<b>Zone 6: 165cm/180cm</b>	194Wh/kg
	<b>EE Electric Hob</b>	<b>All Induction Cook Zones 190.3Wh/kg</b>	

## Energy Efficiency

<b>Cavity</b>	<b>Cavity 1</b>	<b>Cavity 2</b>	<b>Cavity 3 (if applicable)</b>
<b>Energy efficiency index</b>	91,3	92,4	91,4
<b>Energy efficiency class</b>	A	A	A
<b>Energy Consumption per cycle (conventional mode)</b>	0,63 kWh	0,83 kWh	N/A
<b>Energy Consumption per cycle (fan-forced convection mode)</b>	N/A	0,74 kWh	0,74 kWh
<b>Heat Source</b>	Electric	Electric	Electric
<b>Volume</b>	33 Litres	60 Litres	61 Litres
<i>Energy consumption measured in accordance with BS EN 60350-1</i>			



**Glen Dimplex Home Appliances, Element, Temple Court, Risley,  
Warrington, WA3 6GD.**

**0344 815 3740**

**[www.stoves.co.uk](http://www.stoves.co.uk)**

**GDHA Part Number: 094126502**

**40400400697**