



OPERATOR'S MANUAL

A Division of Snow Joe, LLC

MANUAL REEL MOWER

14-INCH | 9 CUTTING HEIGHTS | RAZOREEL

Model MJ503M

Form No. SJ-MJ503M-880E-MR3

EN

IMPORTANT!

Safety Instructions

All Operators Must Read These Instructions Before Use

Always follow these safety guidelines. Failure to do so may result in serious bodily injury or death.

General Safety WARNINGS!

When using this reel mower, basic safety precautions should always be followed to reduce the risk of personal injury. These precautions include:

⚠️ WARNING! This unit can be dangerous! Careless or improper use can cause serious injury.

⚠️ WARNING! Risk of dismemberment: keep hands and feet away from the rotating blades and the cutting area.

Before using the reel mower, familiarize yourself with the controls, especially how to stop the mower in an emergency. The only individuals who should use the mower are those who thoroughly understand these instructions and know how to properly operate the unit. Children should never be allowed access to the mower.

Retain this manual for future reference and reread it at the start of each mowing season.

Safety Information

1. Never place hands, fingers, or feet inside the reel. Although this mower is not powered by a motor, the reel spins when the wheels turn, and it is sharp enough to cause serious injury.
2. Never mow when the grass is wet as it can be slippery.
3. Do not use the reel mower while barefoot or while wearing sandals.
4. Walk behind, never run, while using the reel mower. Always keep proper footing and balance when using this reel mower.
5. Do not intentionally strike or hit trees, fences, or other objects. Doing so can cause severe injuries or permanently damage the reel mower's mechanisms.

6. Make sure that the reel mower is in proper working order prior to use. Do not attempt to operate this reel mower if it is damaged. Contact your authorized Snow Joe® + Sun Joe® dealer or call the Snow Joe® + Sun Joe® customer service center at 1-866- SNOWJOE (1-866-766-9563).

IMPORTANT!

Safety Instructions for Walk-Behind Reel Mowers

General Operation

- Read, understand, and follow all instructions on the machine and in the manual(s) before starting.
- Do not put hands or feet near or under the machine. Always stay clear of the discharge opening.
- Only responsible adults who are familiar with the instructions should be allowed to operate this machine.
- Clear the mowing area of foreign objects such as rocks, wire, toys, and other miscellaneous articles, which could be picked up and thrown by the rotating blades.
- Make sure that the mowing area is clear of bystanders before starting the mower. Stop the mower if anyone enters the area.
- Always look down and behind before starting and while moving backward with the mower.
- Do not operate the machine without safety protective devices in place and in proper working order.
- Never operate the mower on wet grass. Always be sure of your footing; walk, never run, with the mower.
- Keep blades sharp.
- Keep hands and feet away from the cutting area.
- Always wear eye protection when operating the machine.
- Objects struck by the reel mower blades can cause severe injuries. The mowing area should always be carefully examined and cleared of all objects prior to each mowing.
- Only use identical replacement blades.



Slope Operation

Slopes are major factors involved in slip and fall accidents. Such accidents can cause severe personal injury. Operating this mower on any inclined surface requires extra caution. If you feel uneasy on a slope, do not mow it.

- Mow across the face of a sloped surface; never mow up and down a slope. Exercise extreme caution when changing direction on a slope.
- Watch for holes, ruts, bumps, rocks, or other hidden objects. These may cause an unexpected slip or fall.
- Do not mow on wet grass or excessively steep slopes. Poor footing could cause a slip and fall accident.
- Do not mow near drop-offs, ditches, or embankments. You could lose your footing or balance.

Children

Tragic accidents can occur if the operator is not alert to the presence of children. Children are often attracted to the mower and the mowing activity. Never assume that children will remain where you last saw them.

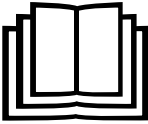







- Keep children out of the mowing area and under the watchful care of a responsible adult other than the operator.
- Stay alert and stop the reel mower if a child enters the area.
- Never allow children access to the machine.
- Use extra care when approaching blind corners, shrubs, trees, or other objects that may block your view of a child.

Service

- Keep all nuts and bolts tight.
- Never tamper with safety devices. Regularly check to ensure these devices are in place and in proper working order.
- Keep the reel mower free from grass, leaves, or other debris buildup.
- If you strike a foreign object, stop and inspect the reel mower. Repair, if necessary, before restarting.
- The mower blades are sharp. Wrap the blades or wear gloves when handling.
- Maintain or replace safety and instruction labels as needed.

Safety Symbols

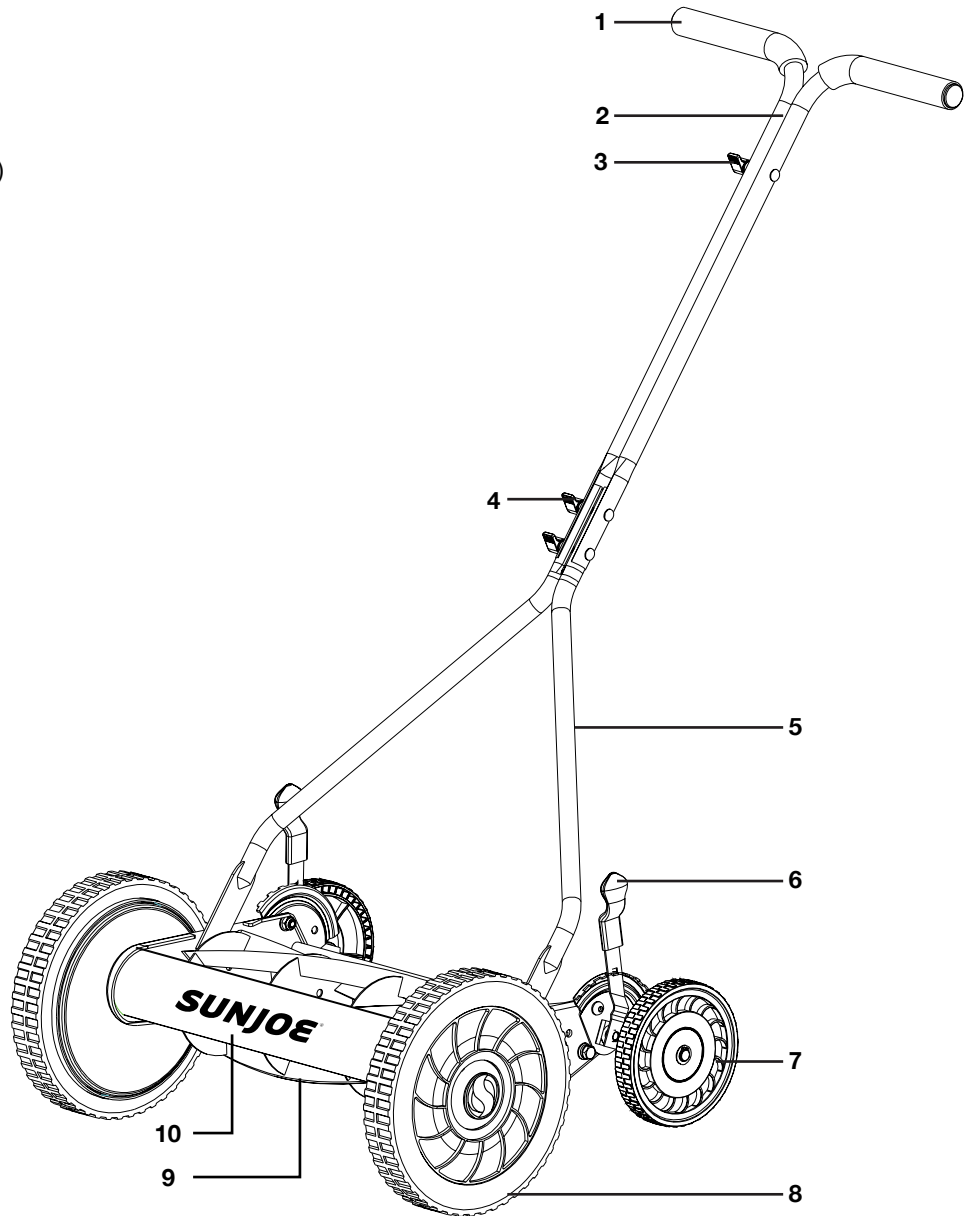
The following table depicts and describes safety symbols that may appear on this product. Read, understand, and follow all instructions on the machine before attempting to assemble and operate.

Symbols	Descriptions	Symbols	Descriptions
	READ THE OPERATOR'S MANUAL(S) – Read, understand, and follow all instructions in the user manual(s) before attempting to assemble and operate.		CAUTION! Beware of stones and other foreign objects that could be thrown from the appliance.
	SAFETY ALERT – Indicates a precaution, a warning, or a danger.		Slip on slope hazard – Use extra caution when mowing on slopes to prevent slip and fall accidents.
	DANGER! Cutting/dismemberment hazard – Keep feet away from the rotating blades.		Keep bystanders and children a safe distance away.
	DANGER! Sharp blades can sever fingers and toes. Keep away from the cutting area.		DANGER! Cutting/dismemberment hazard – Keep hands away from the rotating blades.

Know Your Manual Reel Mower

Read the owner's manual and safety instructions carefully before operating the reel mower. Compare the illustration below to the reel mower in order to become familiar with the location of the various controls and adjustments. Save this manual for future reference.

1. Foam grip
2. Upper handle bar (2)
3. Upper handle knob and bolt
4. Lower handle knob and bolt (2)
5. Lower handle bar (2)
6. Height adjustment lever
7. Rear wheel (2)
8. Front wheel (2)
9. Steel blades
10. Reel mower body



Technical Data

Rotor	5 steel blades	Wheel Size	Front: 10 in. (25 cm) Rear: 6 in. (15 cm)
Cutting Width	14 in. (35.6 cm)	Height Control	9-position manual height adjustment
Cutting Heights	1.1 in. – 2.9 in. (27 mm – 73 mm)	Net Weight	23.8 lbs (10.8 kg)

Unpacking

Carton Contents:

- Reel mower body
- Upper handle bar (2)
- Lower handle bar (2)
- Handle knob and bolt (3)
- Paper test strips (20)
- Hex wrench
- Manual with registration card

1. Carefully remove the manual reel mower and check to see that all of the above items are supplied.
2. Inspect the product carefully to make sure no breakage or damage occurred during shipping. If you find damaged or missing parts, DO NOT return the unit to the store. Please call the Snow Joe® + Sun Joe® customer service center at 1-866-SNOWJOE (1-866-766-9563).

NOTE: Do not discard the shipping carton and packaging materials until you are ready to use your new manual reel mower. The packaging is made of recyclable materials. Properly dispose of these materials in accordance with local regulations.

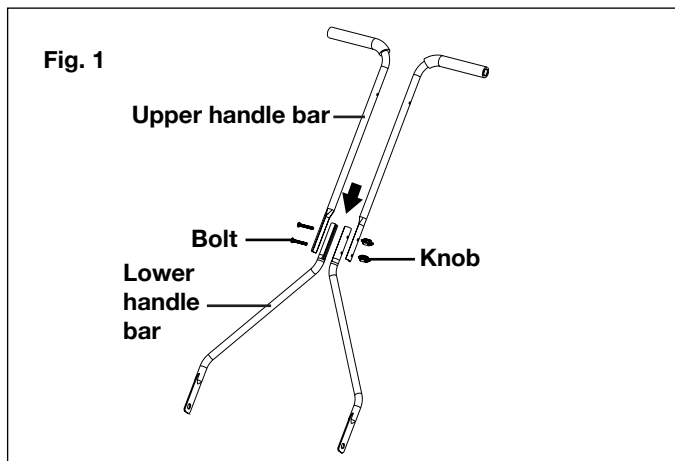
IMPORTANT! The equipment and packaging materials are not toys. Do not let children play with plastic bags, foils, or small parts. These items can be swallowed and pose a suffocation risk!

Assembly

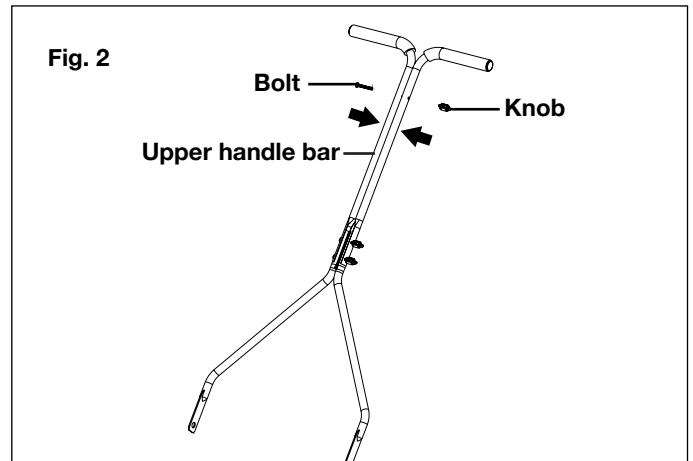
Fitting the Handle

NOTE: Do not tighten the knobs completely until assembly is complete.

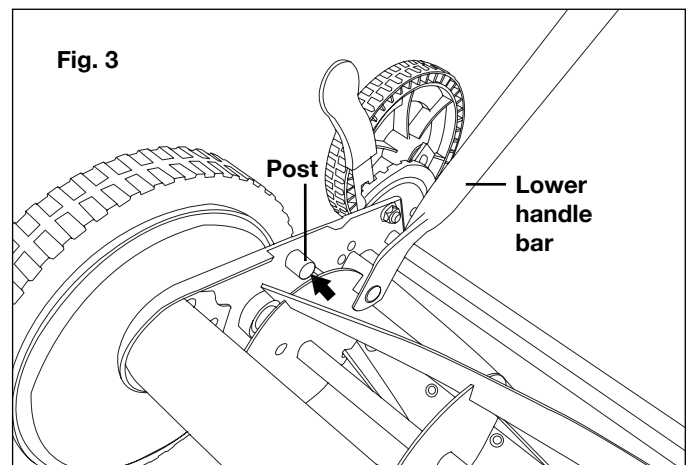
1. Secure the two lower handle bars to the upper handle bars using the two knobs and bolts provided. Tighten the knobs on each side to ensure a secure fit (Fig. 1).



2. Attach the two upper handle bars to each other using one bolt and knob provided. Tighten the knob to ensure a secure fit (Fig. 2).



3. After assembling the handle, line up the holes at the lower end of each handle arm with the short posts that extend from the side plates of the mower base (Fig. 3).



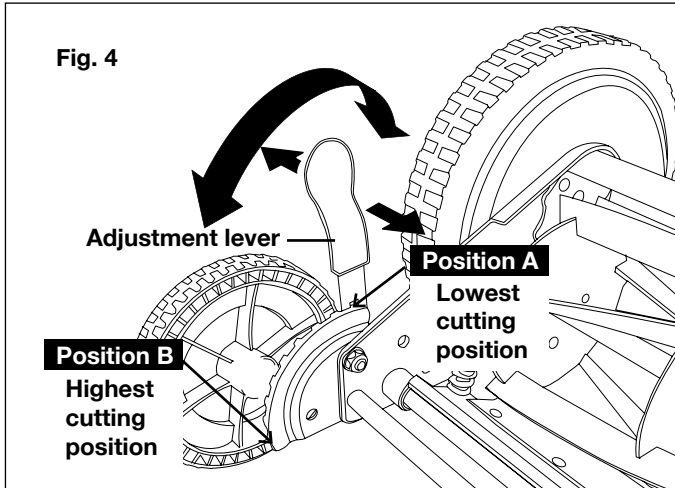
4. Pull both sides of the lower handle bars over the posts on the mower body. Press inward on the handle bars to ensure a secure fit over the posts.

Operation

Cutting Height Adjustment

1. The cutting height of the 14 in. (35.6 cm) reel mower can be adjusted from 1.1 in. to 2.9 in. (27 mm to 73 mm) by moving the 9-position height adjustment levers to the desired setting. The height adjustment levers are located next to the smaller wheels.
2. In order to set the mower to its lowest cutting position, pull the adjustment levers on both sides, one at a time, and set them to position A (Fig. 4).
3. In order to set the mower to its highest cutting position, move the adjustment levers on both sides to position B (Fig. 4).

NOTE: The two adjustment levers MUST be set to the same position (height).



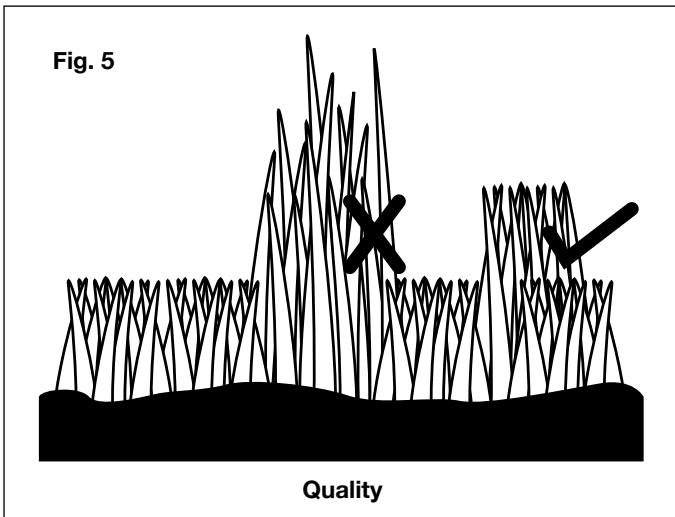
4. Other cutting heights are achieved by moving the adjustment levers to the settings between the highest and lowest positions.

Ensuring a Clean Cut

⚠ WARNING! The steel blades are extremely sharp. To avoid injury, do not touch the blades while making adjustments.

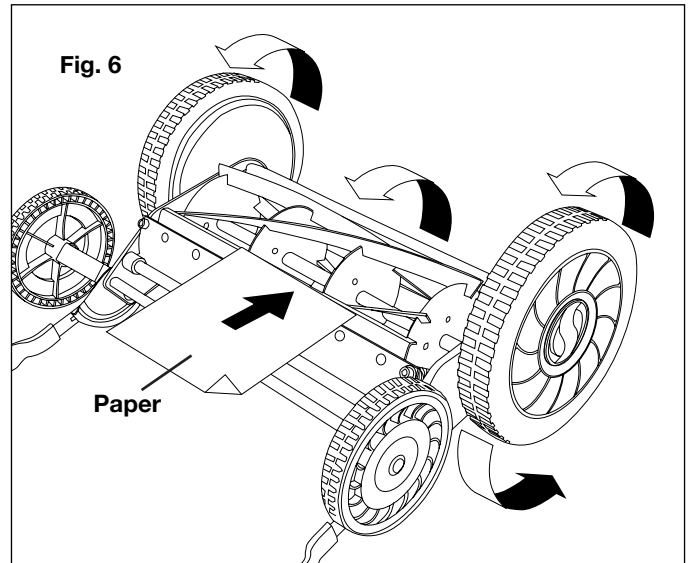
NOTE: Although the blades are pre-adjusted prior to leaving the factory, it is recommended that the adjustment be verified prior to first use.

NOTE: Vibrations during shipping can cause blade misalignment, which often causes the blades to become too loose or too tight. This will result in a rough, uneven cut, or make the mower difficult to push (Fig. 5).



1. To verify proper blade alignment, place the mower on a flat surface. Remove the handles and turn the mower reel upside down to expose the cutting bar.

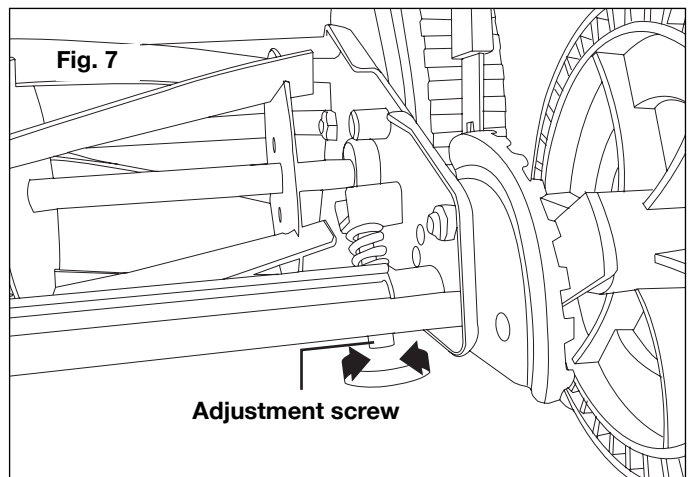
2. Insert a sheet of paper between the blade reel and cutting bar, then slowly turn the wheel by hand (Fig. 6).



3. All the blades should slice the paper evenly along the entire length of the cutting bar while the reel is turned smoothly.
4. If the mower cuts the paper intermittently, adjustment should be made to the appropriate side of the blades to achieve optimal cutting performance.

Adjusting the Mower Blades

1. Each end of the cutting bar can be adjusted separately.
2. The cutting bar blade, which is located under the reel, is able to pivot. The two adjustment nuts located at the back of the mower move the cutting bar away from the blades when they are turned counterclockwise, and closer to the blades when they are turned clockwise (Fig. 7).



⚠ WARNING! Do not overtighten the adjustment screws as this could damage the cutting bar. Both screws must be tight on final adjustment.

- To loosen the blades, use the hex wrench provided and turn both adjustment screws by an equal amount counterclockwise.
- To tighten the blades, tighten both screws by an equal amount by turning them clockwise.

NOTE: If you have any questions, please call the Snow Joe® + Sun Joe® customer service department at 1-866-SNOWJOE (1-866-766-9563) for assistance.

- Once the mower blades have been properly adjusted and their alignment has been verified, you can now proceed to use your reel mower. Align the cutting path indication arrow with the previously cut path.

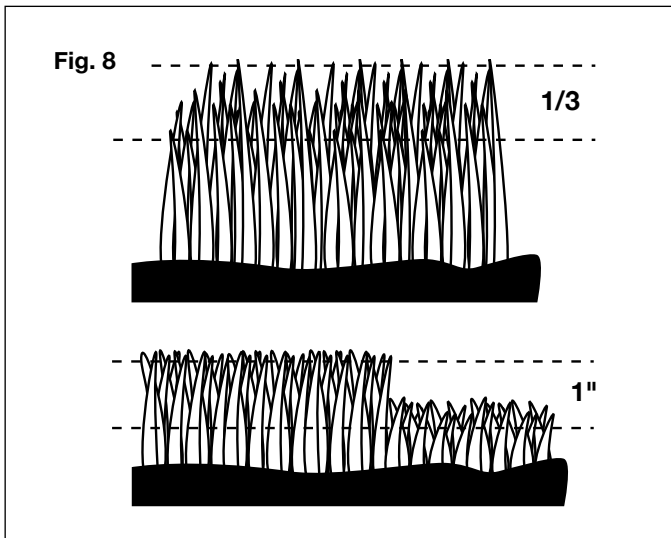
NOTE: The width of the reel mower's actual cut is indicated below. Do not use the mower's wheels as a reference point for the grass cut line.

Mowing Tips

Follow the 1/3 Rule

The 1/3 rule is key to an enjoyable mowing experience and a healthy lawn.

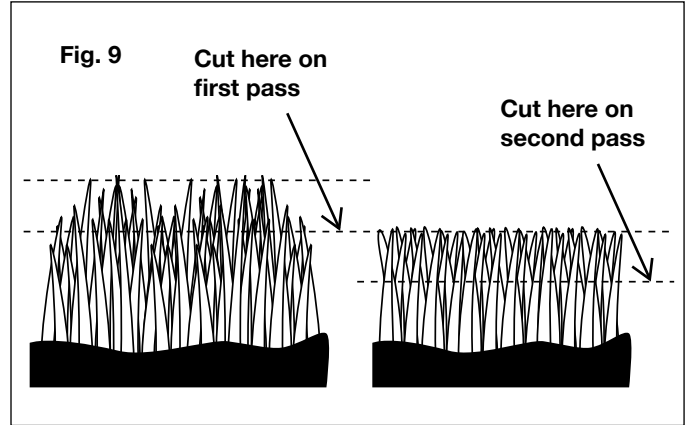
- You should mow your lawn regularly, at least once a week, during the growing season.
- Observe the lawn and take care not to remove more than 1/3 of the total height of the turf at any mowing session and never more than 1 inch at a time (Fig. 8).



- Following this rule will stimulate the turf's root growth, maintain its health, and encourage its natural ability to crowd out unwanted weeds.

Tall Grass Requires Incremental Cutting

- For extremely tall grass, set the cutting height at the mower's maximum setting for the first pass, and then reset it to the desired height and mow a second or third time (Fig. 9).

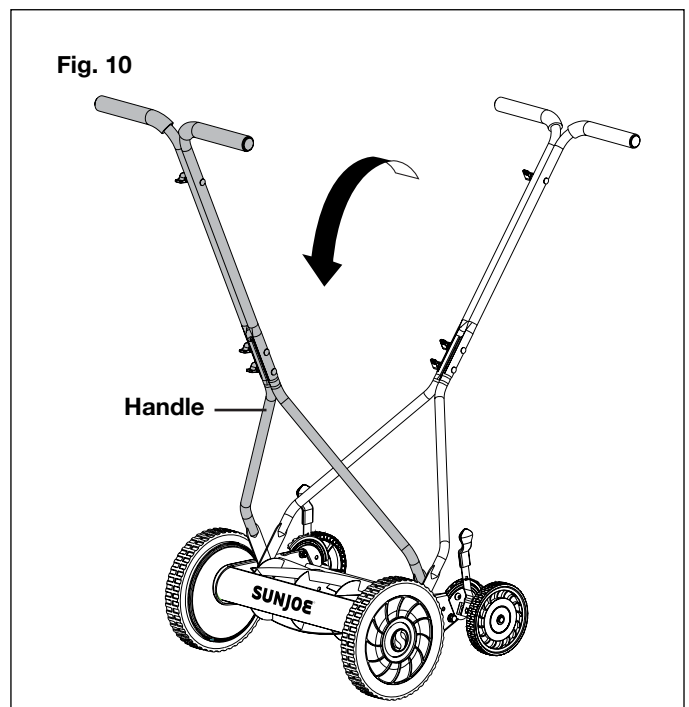


- Removing too much of the turf's height, especially in the heat of summer, can cause root shock and weaken the lawn; bringing down the height by successive mowing over two or more days can avoid this damage and maintain the health of the turf.
- If the lawn is overgrown (to higher than 4 inches), it may be necessary to use a brush cutter to remove the excess turf mass before resuming mowing at normal heights.

NOTE: Do not cover the grass surface with a heavy layer of clippings. Consider using a grass collection system and starting a compost pile.

Transporting the Mower

During normal operation, the blade reel will turn anytime the mower's front wheels are turning. To safely move the mower from one location to another without the blade reel turning, simply pivot the handle over the reel and push the mower from the opposite side. Pushing the mower in this manner (transport mode) prohibits the blade reel from turning (Fig. 10).



Care + Maintenance

1. Minimum care is required to ensure smooth operation of your mower.
2. To avoid damage to the mower or cutting blades, keep the area to be mowed free from debris.
3. For best results, regularly apply lubricant to the mower's cutting surfaces, cutting reel axle shaft, and wheels.

Sharpening the Cutting Blades

1. Spread a thin layer of lapping compound on the front edge of the reel blades.
2. Adjust the cutting bar so that the blade has light but firm contact across the full width of the bar.

⚠ CAUTION! Do not overtighten the adjusting screws, as this could damage the cutting bar. Tighten both screws during final adjustment.

3. Turn the reel blades until the front edge of the cutting bar blade is polished.

⚠ WARNING! Clean any grinding compound or debris from the cutting bar blade, reel blade, pinions, and pawls.

NOTE: Use industrial or valve lapping compound between 100 and 240 grit.

NOTE: Lubricate the axle and pinion with a light film of wheel bearing grease.

Cleaning and Storage

1. Clean the exterior of the machine thoroughly using a soft brush and cloth before storing. Do not use water, solvents, or polishes.
2. Turn the mower on its side to clean the blade area.

⚠ WARNING! Do not place your hands inside or near the cutting area. If grass cuttings are compacted in the blade area, remove them using a wood or plastic cleaning tool appropriate for blade cleaning.

3. Store the mower in a dry place. Do not place other objects on top of the mower during storage.

Maintenance Tips

Reel mowers are relatively low maintenance. For consistent cutting, follow the below instructions:

- Always keep the cutting bar properly adjusted. Refer to the instruction manual for further directions.
- Regularly clean and lubricate cutting edges with light spray oil.

IMPORTANT! Reel mowers have difficulty cutting tall weeds, such as dandelions, and will often bend, rather than cut, such weeds. Cut often to prevent this.

Service and Support

If your Sun Joe® manual reel mower requires service or maintenance, please call the Snow Joe® + Sun Joe® customer service center at 1-866-SNOWJOE (1-866-766-9563).

Model and Serial Numbers

When contacting the company or reordering parts, you will need to provide the model and serial numbers of your product. These are found on the decal affixed to the housing of your reel mower. Copy these numbers into the space provided below.

Record the following numbers from the housing or handle of your new product:	
Model #:	
M J 5 0 3 M	
Serial #:	



SNOW JOE® + SUN JOE® CUSTOMER PROMISE

ABOVE ALL ELSE, Snow Joe, LLC (“Snow Joe”) is dedicated to you, our customer. We strive to make your experience as pleasant as possible. Unfortunately, there are times when a Snow Joe®, Sun Joe®, or Aqua Joe® product (“Product”) does not work or breaks under normal operating conditions. We think it’s important that you know what you can expect from us. That’s why we have a Limited Warranty (“Warranty”) for our Products.

OUR WARRANTY:

Snow Joe warrants new, genuine, powered and non-powered Products to be free from defects in material or workmanship when used for ordinary household use for a period of two years from the date of purchase by the original, end-user purchaser when purchased from Snow Joe or from one of Snow Joe’s authorized sellers with proof of purchase. Because Snow Joe is unable to control the quality of its Products sold by unauthorized sellers, unless otherwise prohibited by law, this Warranty does not cover Products purchased from unauthorized sellers. If your Product does not work or there’s an issue with a specific part that is covered by the terms of this Warranty, Snow Joe will elect to either (1) send you a free replacement part, (2) replace the Product with a new or comparable product at no charge, or (3) repair the Product. How cool is that!

This Warranty gives you specific legal rights, and you may also have other rights which vary from State to State.

PRODUCT REGISTRATION:

Snow Joe strongly encourages you to register your Product. You can register online at snowjoe.com/register, or by printing and mailing in a registration card available online from our website, or calling our Customer Service Department at **1-866-SNOWJOE (1-866-766-9563)**, or by e-mailing us at help@snowjoe.com. Failure to register your Product will not diminish your warranty rights. However, registering your Product will allow Snow Joe to better serve you with any of your customer service needs.

WHO CAN SEEK LIMITED WARRANTY COVERAGE:

This Warranty is extended by Snow Joe to the original purchaser and original owner of the Product.

WHAT IS NOT COVERED?

This Warranty does not apply if the Product has been used commercially or for non-household or rental applications. This Warranty also does not apply if the Product was purchased from an unauthorized seller. This Warranty also does not cover cosmetic changes that do not affect performance. Wearing parts like belts, augers, chains and tines are not covered under this Warranty, and can be purchased at snowjoe.com or by calling **1-866-SNOWJOE (1-866-766-9563)**.



PODADORA DE CÉSPED MANUAL

35.6 CM | 9 ALTURAS DE CORTE | RAZOREEL

MANUAL DEL OPERADOR

Una división de Snow Joe, LLC

Modelo MJ503M

Forma No. SJ-MJ503M-880S-MR3

¡IMPORTANTE! Instrucciones de seguridad

Todos los operadores deberán leer estas instrucciones antes del uso

Siga siempre estas normas de seguridad. No hacerlo podría resultar en lesiones corporales severas o incluso la muerte.

¡ADVERTENCIAS generales de seguridad!

Usted debe tomar precauciones básicas de seguridad siempre que use esta podadora manual para reducir el riesgo de lesiones personales. Estas precauciones incluyen:

⚠ ¡ADVERTENCIA! ¡Esta unidad puede ser peligrosa! Su descuido o uso incorrecto puede causar lesiones graves.

⚠ ¡ADVERTENCIA! Riesgo de mutilación: mantenga las manos y pies alejados de las cuchillas giratorias y el área de corte.

Antes de usar la podadora manual, familiarícese con los controles, sobre todo con la forma de detener la podadora en caso de emergencia. Las únicas personas que deben usar la podadora son aquellas que entienden al pie de la letra estas instrucciones y saben cómo operar correctamente la unidad. Los niños nunca deben tener acceso a la podadora.

Conserve este manual para futuras referencias y vuélvalo a leer al inicio de cada temporada de podado.

Información de Seguridad

1. Nunca coloque las manos, dedos o pies dentro del rodillo de la podadora. Aunque esta podadora no está energizada por un motor, el rodillo gira cuando las ruedas se mueven, y las cuchillas son lo suficientemente afiladas como para causar lesiones graves.
2. Nunca pade el césped cuando este se encuentre mojado, ya que puede ser resbaladizo.
3. Nunca use la podadora manual descalzo o usando sandalias.
4. Camine detrás de la podadora manual, nunca corra, mientras la use. Al usar esta podadora manual mantenga siempre balance y posición adecuados.

5. No golpee de forma intencional árboles, cercas u otros objetos con la podadora manual. El hacerlo puede causar lesiones personales severas o dañar permanentemente los mecanismos de la podadora manual.
6. Asegúrese de que la podadora manual esté en buenas condiciones de operación antes de su uso. No intente operar esta podadora manual si está dañada. Contacte a un concesionario autorizado Snow Joe® + Sun Joe® o comuníquese con la central de servicio al cliente Snow Joe® + Sun Joe® llamando al 1-866-SNOWJOE (1-866-766-9563).

¡IMPORTANTE! Instrucciones de seguridad para podadoras manuales de rodadura

Operación general

- Lea, entienda y obedezca todas las instrucciones en la máquina y en el(los) manual(es) antes de empezar.
- No ponga sus manos o pies cerca o debajo de la máquina. Manténgase siempre alejado de la abertura de descarga.
- Solo adultos responsables familiarizados con estas instrucciones deberán estar autorizados a operar esta podadora manual.
- Limpie el área para podar de objetos extraños como rocas, alambres, juguetes y otros artículos diversos que puedan ser recogidos y arrojados por las cuchillas giratorias.
- Asegúrese de que el área de podado esté libre de espectadores o transeúntes antes de empezar a trabajar con la podadora. Detenga la podadora si alguien entra al área.
- Siempre mire hacia abajo y hacia atrás antes de empezar a podar y durante el movimiento en reversa de la podadora.
- No opere la máquina sin dispositivos protectores de seguridad en su lugar y funcionando correctamente.
- Nunca opere la podadora sobre césped mojado. Esté siempre atento a dónde esté pisando. Camine, nunca corra con la podadora.
- Mantenga las cuchillas afiladas.
- Mantenga las manos y los pies lejos del área de corte.
- Utilice siempre protección ocular al operar la máquina.

- Los objetos arrojados por las cuchillas del rodillo de la podadora de césped pueden causar lesiones graves. Siempre se debe examinar cuidadosamente el área a podarse y retirar todos los objetos antes del podado.
- Use solo cuchillas de repuesto idénticas.

Trabajo en pendientes

Las pendientes son algunas de las causas principales de accidentes de resbalos y caídas. Dichos accidentes pueden causar lesiones personales graves. Operar esta podadora en cualquier superficie inclinada requiere una precaución adicional. Si no se siente seguro en una pendiente, no la podes.

- Podes a lo largo de la cara de una superficie inclinada. Nunca podes hacia arriba y hacia abajo en una pendiente. Tenga mucho cuidado al cambiar de dirección en una pendiente.
- Esté atento a hoyos, surcos, baches, rocas u otros objetos ocultos. Estos pueden causar un inesperado resbalón o caída.
- No podes sobre césped mojado o pendientes demasiado inclinadas. Una mala postura puede causar un resbalón y caída.
- No podes cerca de laderas, zanjas o terraplenes. Usted puede perder su postura o equilibrio.

Niños

Pueden ocurrir accidentes trágicos si el operador no está alerta de la presencia de niños. Los niños son generalmente atraídos a la podadora y a la actividad de podado. Nunca asuma que los niños permanecerán en donde usted los vio por última vez.

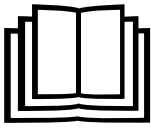







- Mantenga a los niños lejos del área de poda y bajo la estricta vigilancia de un adulto responsable que no sea el operador.
- Esté siempre atento y detenga el movimiento de la podadora si un niño entra en el área.
- Nunca permita que los niños operen el equipo.
- Tenga especial cuidado al acercarse a esquinas ciegas, arbustos, árboles u otros objetos que puedan obstaculizar la visualización de un niño.

Servicio

- Mantenga ajustados todos los pernos y tuercas.
- Nunca manipule los dispositivos de seguridad. Inspecciónelos regularmente para asegurarse de que estén en su lugar y funcionando correctamente.
- Mantenga la podadora manual libre de césped, hojas y otras acumulaciones de residuos.
- Si la podadora golpea un objeto extraño, deténgase e inspeccione la podadora. Repárela, de ser necesario, antes de volver a empezar.
- Las cuchillas de la podadora están afiladas. Al manipular las cuchillas, envuélvalas o use guantes.
- Conserve o reemplace las etiquetas de seguridad y de instrucciones según sea necesario.

Símbolos de seguridad

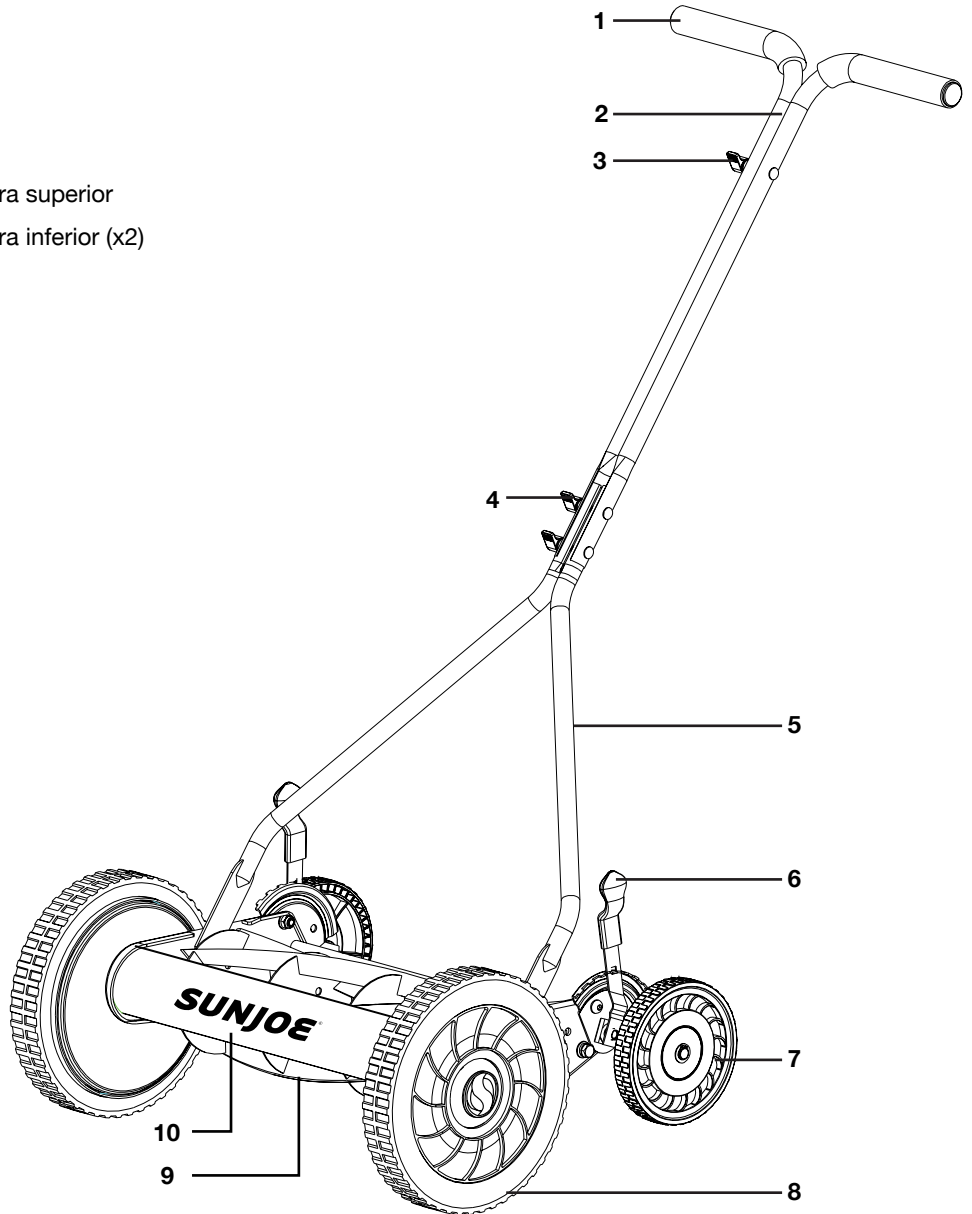
La siguiente tabla muestra y describe los símbolos de seguridad que pueden aparecer en este producto. Lea, comprenda y siga todas las instrucciones relacionadas con esta máquina antes de intentar ensamblarla y operarla.

Símbolo	Descripción	Símbolo	Descripción
	LEA EL(LOS) MANUAL(ES) DEL OPERADOR: lea, comprenda y siga todas las instrucciones en el(los) manual(es) antes de intentar ensamblar y operar esta unidad.		¡PRECAUCIÓN! Tenga cuidado con piedras y otros objetos extraños que puedan ser lanzados desde el artefacto.
	ALERTA DE SEGURIDAD: indica una precaución, advertencia o peligro.		Peligro de resbalo en pendientes: tenga extremo cuidado al podar en pendientes para evitar resbalar y caer.
	¡PELIGRO! Peligro de corte/ mutilación: mantenga los pies lejos de las cuchillas giratorias.		Mantenga a los transeúntes y niños alejados a una distancia segura.
	¡PELIGRO! Las cuchillas afiladas pueden mutilar dedos de manos y pies. Manténgase alejado del área de corte.		¡PELIGRO! Peligro de corte/ mutilación: mantenga las manos lejos de las cuchillas giratorias.

Conozca su podadora manual

Lea detenidamente el manual del operador y las instrucciones de seguridad antes de operar la podadora manual. Compare la ilustración debajo con la podadora manual para familiarizarse con las ubicaciones de los diversos controles y ajustes. Conserve este manual para futuras referencias.

1. Empuñadura de espuma
2. Barra de manillar superior (x2)
3. Tuerca de mariposa y perno de barra superior
4. Tuerca de mariposa y perno de barra inferior (x2)
5. Barra de manillar inferior (x2)
6. Palanca de ajuste de altura
7. Rueda trasera (x2)
8. Rueda frontal (x2)
9. Cuchillas de acero
10. Cuerpo de la podadora manual



Datos técnicos

Rotor	Cinco cuchillas de acero	Tamaño de ruedas	Frontales: 10 plg (25 cm) Posteriores: 6 plg (15 cm)
Ancho de corte	14 plg (35.6 cm)	Control de altura	Ajuste manual de altura de 9 posiciones
Alturas de corte	De 1.1 plg a 2.9 plg (de 27 mm a 73 mm)	Peso neto	23.8 lb (10.8 kg)

Desembalaje

El paquete contiene:

- Cuerpo de la podadora manual
- Barra de manillar superior (x2)
- Barra de manillar inferior (x2)
- Tuerca de mariposa y perno (x3)
- Tiras de papel de prueba (x20)
- Llave hexagonal
- Manual con tarjeta de registro

1. Retire cuidadosamente la podadora manual de césped y compruebe que todos los artículos anteriores estén incluidos.
2. Inspeccione cuidadosamente el producto para asegurarse de que no haya ocurrido ningún daño o ruptura durante su transporte. Si alguna parte está dañada o extraviada, NO DEVUELVA la unidad a la tienda. Comuníquese con la central de servicio al cliente Snow Joe® + Sun Joe® llamando al 1-866-SNOWJOE (1-866-766-9563).

NOTA: no se deshaga de la caja de transporte ni del material de embalaje hasta que usted esté listo para usar su podadora manual de césped. El empaquetado está hecho de materiales reciclables. Deseche estos materiales de acuerdo con los reglamentos locales.

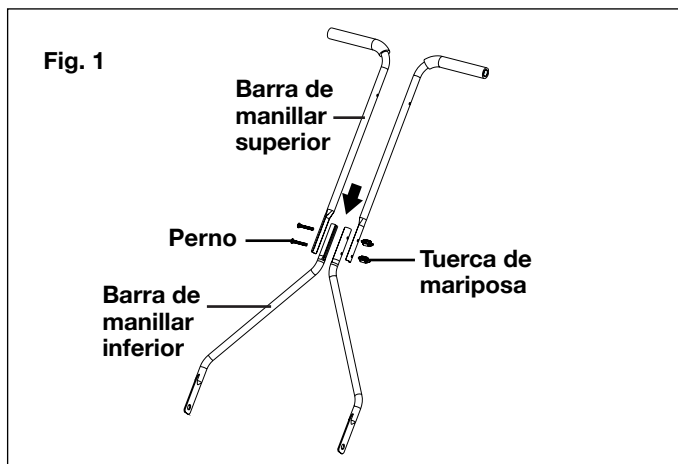
¡IMPORTANTE! El equipo y los materiales de embalaje no son juguetes. No permita que los niños jueguen con bolsas plásticas, láminas o partes pequeñas. ¡Estos objetos pueden ser tragados y representan un riesgo de asfixia!

Ensamblado

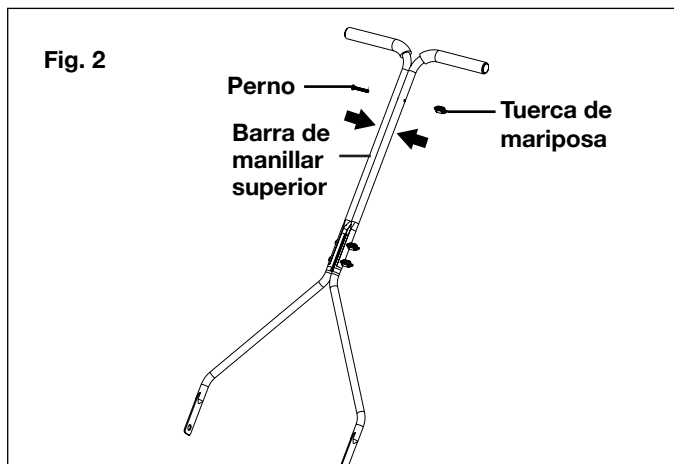
Colocación del mango

NOTA: no apriete por completo las tuercas de mariposa hasta que el ensamblado haya sido completado.

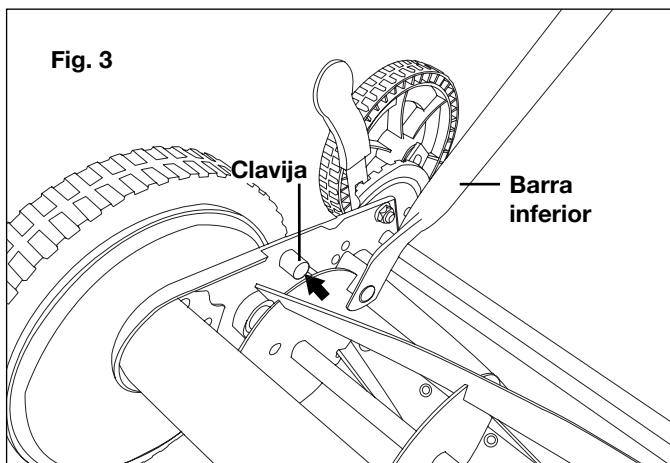
1. Asegure las dos barras de manillar inferiores a las barras de manillar superiores usando dos tuercas de mariposa y dos pernos suministrado. Apriete las tuercas de mariposa para garantizar un ajuste seguro (Fig. 1).



2. Conecte las dos barras de manillar superiores una a otra usando un perno y una tuerca de mariposa suministrados. Apriete la tuerca de mariposa para garantizar un ajuste seguro (Fig. 2).



3. Después de ensamblar el manillar, alinee los orificios en el extremo inferior de cada brazo de manillar con las clavijas cortas que se extienden de las placas laterales en la base de la podadora (Fig. 3).



4. Jale ambas barras de manillar inferiores por sobre las clavijas del cuerpo de la podadora. Presione hacia dentro sobre las barras de manillar para garantizar un ajuste seguro sobre las clavijas.

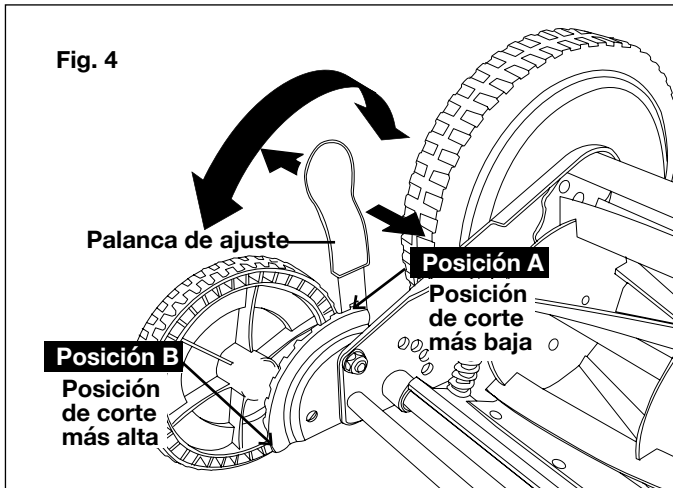
Operación

Ajuste de altura de corte

1. La altura de corte de la podadora manual de 14 plg (35.6 cm) puede ser ajustada en nueve posiciones, desde 1.1 plg (27 mm) a 2.9 plg (73 mm), moviendo las palancas de ajuste de nueve posiciones al nivel deseado. Las palancas de ajuste de altura están ubicadas cerca de las ruedas más pequeñas.
2. Para configurar la podadora a su altura de corte más baja, jale las palancas de ajuste en ambos lados, una a la vez, y colóquelas en la posición A (Fig. 4).

3. Para ajustar la podadora a su posición de corte más alta, jale las palancas de ajuste en ambos lados hacia la posición B (Fig. 4).

NOTA: Ambas palancas de ajuste **DEBEN** estar en la misma posición (altura).



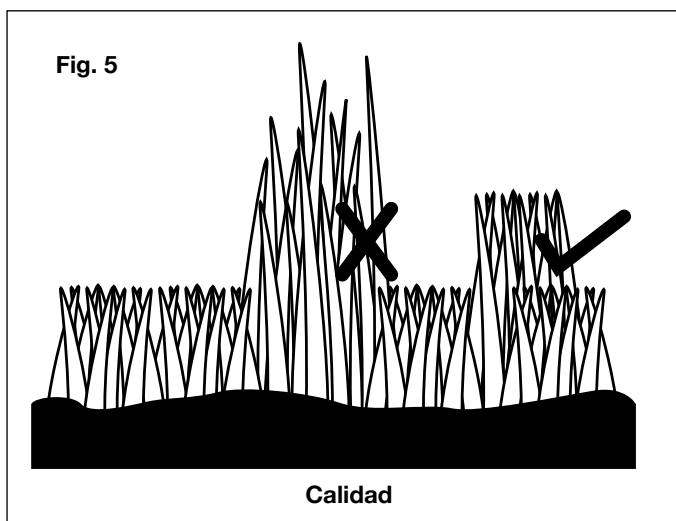
4. Se pueden obtener otras alturas de corte moviendo las palancas de ajuste a las configuraciones entre las posiciones más alta y más baja.

Asegurar un corte limpio

⚠ ¡ADVERTENCIA! Las cuchillas de acero son extremadamente afiladas. Para evitar lesiones, no toque las cuchillas mientras haga los ajustes.

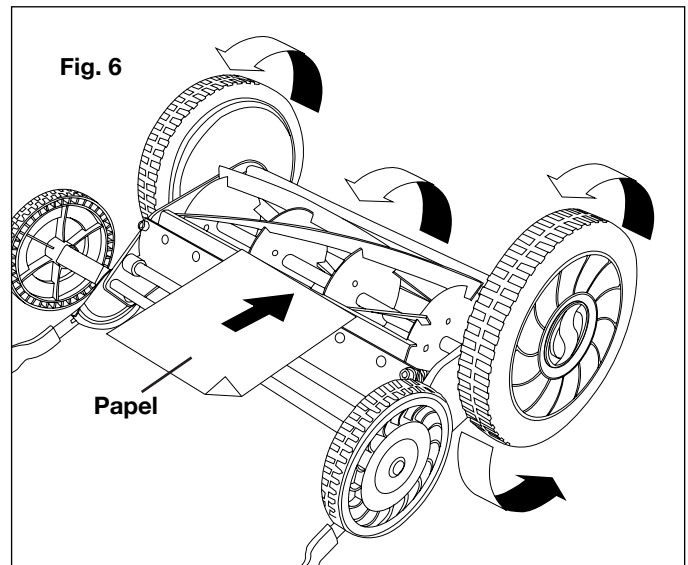
NOTA: aunque las cuchillas fueron pre-ajustadas de fábrica, se recomienda comprobar el ajuste antes del primer uso.

NOTA: las vibraciones durante el transporte pueden causar desajustes, lo cual usualmente hace que las cuchillas se ajusten o aflojen demasiado. Esto dará como resultado un corte áspero y disparejo, o hará que la podadora sea difícil de empujar (Fig. 5).



1. Para verificar un alineamiento correcto de las cuchillas, coloque la podadora en una superficie plana. Retire las barras y voltee la podadora al revés para exponer la barra de corte.

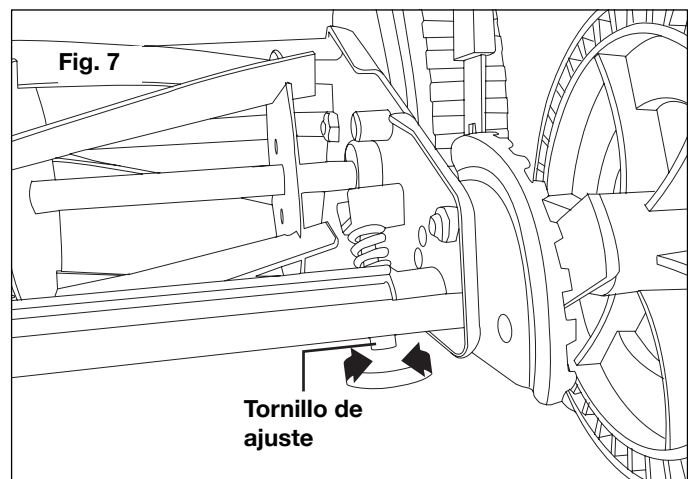
2. Inserte una hoja de papel entre las cuchillas y la barra de corte, y luego gire lentamente la rueda con la mano (Fig. 6).



3. Todas las cuchillas deberán cortar el papel de forma pareja, a lo largo de toda la longitud de la barra de corte mientras el rodillo gira libremente.
4. Si la podadora corta el papel de forma intermitente, se debe hacer un ajuste en el lado apropiado de las cuchillas para lograr un corte óptimo.

Ajuste de las cuchillas de la podadora

1. Cada extremo de la barra de corte puede ser ajustado por separado.
2. La cuchilla de la barra de corte, que está localizada debajo del rodillo, es capaz de girar sobre su eje. Las dos tuercas de ajuste localizadas en la parte posterior de la podadora alejan la barra de corte de las cuchillas cuando son giradas en sentido antihorario, y la acercan a las cuchillas cuando son giradas en sentido horario (Fig. 7).



⚠ ¡ADVERTENCIA! No apriete demasiado los tornillos de ajuste ya que esto puede dañar la barra de corte. Ambos tornillos deberán estar apretados para el ajuste final.

3. Para aflojar las cuchillas, use la llave hexagonal suministrada y gire ambos tornillos de ajuste por igual en sentido antihorario.
4. Para apretar las cuchillas, apriete ambos tornillos por igual girándolos en sentido horario.

NOTA: si tiene preguntas o necesita ayuda, comuníquese con la central de servicio al cliente Snow Joe® + Sun Joe® llamando al 1-866-SNOWJOE (1-866-766-9563).

5. Una vez que las cuchillas de la podadora han sido ajustadas apropiadamente y su alineamiento ha sido comprobado, puede ahora proceder a usar su podadora manual. Alinee la flecha indicadora de ruta de corte con la ruta cortada anteriormente.

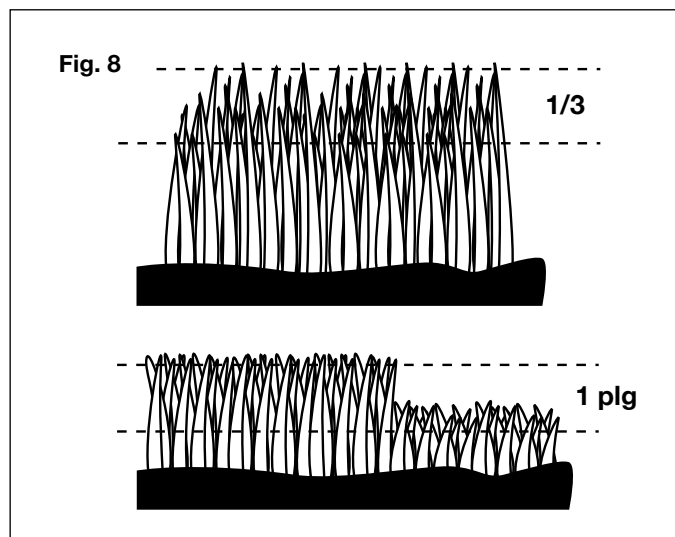
NOTA: el ancho del verdadero corte de la podadora manual se indica debajo. No utilice las ruedas de la podadora como punto de referencia para la línea cortadora del césped.

Consejos para la poda

Siga la regla de 1/3

La regla de 1/3 es clave para una experiencia agradable de podado y un césped sano.

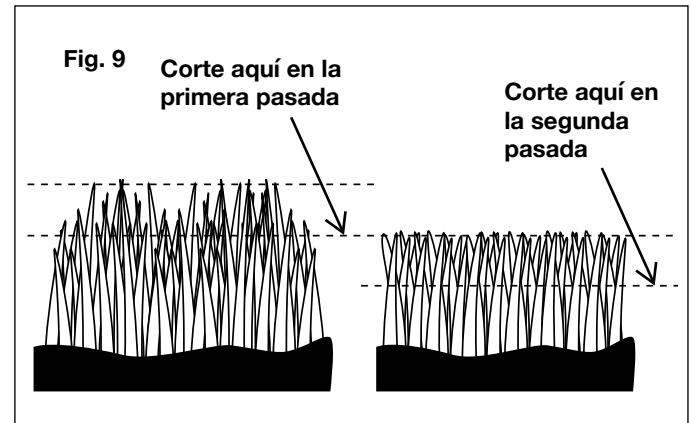
1. Usted debe podar su césped regularmente, al menos una vez a la semana, durante la temporada de crecimiento.
2. Guíese viendo el engramado y cuidando de no retirar más de 1/3 de la altura total del césped en cualquier sesión de podado, y nunca más de una pulgada por vez (Fig. 8).



3. Seguir esta regla estimulará el crecimiento de las raíces del césped, manteniendo su salud y estimulando su habilidad natural de desplazar maleza no deseada.

El césped alto requiere corte incremental

1. Para un césped extremadamente alto, establezca la altura de corte a su máxima configuración para la primera pasada, y luego restablézcala a la altura deseada y pode una segunda o tercera vez (Fig. 9).



2. Retirar demasiado de la altura del césped, especialmente en el calor del verano, puede causar un "shock" a las raíces y debilitar el césped. Reducir la altura mediante podados sucesivos durante dos o más días puede evitar este daño y mantener la salud del engramado.
3. Si el césped ha sobrecrecido a una altura mayor de 4 plg, puede ser necesario usar una desbrozadora para retirar la masa excesiva de césped antes de volver a cortar a alturas normales.

NOTA: no cubra la superficie de césped con una capa pesada de recortes. Considere usar un sistema de recolección de césped y crear un montículo de compostaje.



LA PROMESA DE SNOW JOE® + SUN JOE® AL CLIENTE

POR SOBRE TODO, en Snow Joe, LLC (“Snow Joe”) estamos dedicados a usted, nuestro cliente. Nos esforzamos por hacer que su experiencia sea lo más placentera posible. Desafortunadamente, hay veces en que un producto Snow Joe®, Sun Joe®, o Aqua Joe® (el “Producto”) no funciona o sufre un desperfecto bajo condiciones normales de operación. Creemos que es importante que usted sepa que puede confiar en nosotros. Es por eso que tenemos esta Garantía Limitada (la “Garantía”) para nuestros Productos.

NUESTRA GARANTÍA:

Snow Joe garantiza que sus Productos motorizados y no motorizados, nuevos y genuinos, están libres de defectos materiales o de mano de obra al ser usados en tareas domésticas normales durante un periodo de dos (2) años a partir de la fecha de compra por parte del comprador original y usuario final, cuando este último los compra a través de Snow Joe o un vendedor autorizado por Snow Joe y ha obtenido un comprobante de compra. Ya que Snow Joe no puede controlar la calidad de sus Productos vendidos por vendedores no autorizados, a menos que la ley lo prohíba esta Garantía no cubre Productos adquiridos a través de vendedores no autorizados. Si su Producto no funciona, o hay un problema con una parte específica que está cubierta por los términos de esta Garantía, Snow Joe elegirá entre: (1) enviarle una parte de repuesto gratuita; (2) reemplazar el Producto con uno nuevo o similar sin costo alguno; o (3) reparar el Producto. ¡Un excelente soporte!

Esta Garantía le da derechos legales específicos, y usted puede también tener otros derechos según el Estado.

REGISTRO DEL PRODUCTO:

Snow Joe le recomienda enfáticamente registrar su Producto. Usted puede registrar su Producto en línea visitando snowjoe.com/register, imprimiendo y enviando por correo una tarjeta de registro disponible en línea en nuestro sitio Web, llamando a nuestra central de servicio al cliente al **1-866-SNOWJOE (1-866-766-9563)**, o enviándonos un e-mail a help@snowjoe.com. Si usted no registra su Producto sus derechos de garantía no disminuirán; sin embargo, registrar su Producto permitirá que Snow Joe le pueda atender mejor si usted tiene alguna necesidad como cliente.

¿QUIÉN PUEDE SOLICITAR COBERTURA DE GARANTÍA LIMITADA?

Esta Garantía es otorgada por Snow Joe al comprador original y propietario original del Producto.

¿QUÉ NO ESTÁ CUBIERTO?

Esta Garantía no se aplica si el Producto ha sido usado de forma comercial o en aplicaciones no domésticas o de alquiler. Esta Garantía tampoco se aplica si el Producto fue adquirido desde un vendedor no autorizado. Esta garantía tampoco cubre cambios cosméticos que no afecten el funcionamiento del Producto. Las partes desgastables como correas, brocas y cuchillas no están cubiertas por esta Garantía, y pueden ser compradas visitando snowjoe.com o llamando al **1-866-SNOWJOE (1-866-766-9563)**.

IMPORTANT!

Consignes de sécurité

Tous les utilisateurs doivent lire ces instructions avant d'utiliser la machine.

Suivez toujours ces consignes de sécurité. Ne pas s'y conformer peut entraîner de graves blessures pouvant même être fatales.

AVERTISSEMENTS d'ordre général en matière de sécurité!

Quand vous utilisez cette tondeuse à rouleau, les précautions de sécurité de base doivent toujours être suivies pour réduire le risque de se blesser. Parmi ces précautions figurent les avertissements suivants :

⚠️ AVERTISSEMENT! Cette machine peut être dangereuse! Une utilisation irréfléchie ou inappropriée peut être à l'origine de graves blessures.

⚠️ AVERTISSEMENT! Risque de mutilation : maintenir les mains et les pieds éloignés des lames rotatives et de la zone de coupe.

Avant d'utiliser la tondeuse à rouleau, prenez le temps de vous familiariser avec les commandes, surtout la façon d'arrêter la tondeuse en cas d'urgence. Les seules personnes qui doivent utiliser la tondeuse sont celles qui comprennent parfaitement ces instructions et qui savent comment utiliser la machine. Les enfants ne devraient jamais être autorisés à avoir accès à la tondeuse.

Conservez ce manuel pour le consulter éventuellement dans le futur et relisez-le au début de chaque saison de tonte de pelouses.

Informations concernant la sécurité

1. Ne jamais mettre les mains, les doigts ou un pied à l'intérieur du rouleau. Bien que cette tondeuse ne soit pas à moteur, le rouleau tourne sur lui-même quand les roues tournent et il est suffisamment affûté pour provoquer de graves blessures.
2. Ne jamais tondre quand l'herbe est mouillée et peut être glissante.

3. Ne pas utiliser la tondeuse à rouleau pieds nus ou en portant des sandales.
4. Marcher derrière la tondeuse à rouleau pour l'utiliser, et ne jamais courir. Toujours rester sur les deux pieds pour ne pas perdre l'équilibre quand on utilise cette tondeuse à rouleau.
5. Ne pas heurter ou buter intentionnellement contre des arbres, des clôtures ou quoi que ce soit d'autre. Ceci pourrait être à l'origine de graves blessures ou endommager irrémédiablement les mécanismes de la tondeuse à rouleau.
6. Avant de l'utiliser, s'assurer que la tondeuse à rouleau est en bon ordre de marche. Ne pas essayer d'utiliser cette tondeuse à rouleau si elle est endommagée. Communiquer avec un revendeur Snow Joe® + Sun Joe® agréé ou appeler le service clientèle Snow Joe® + Sun Joe® au 1-866-SNOWJOE (1-866-766-9563).

IMPORTANT!

Consignes de sécurité pour les tondeuses à rouleau poussées

Généralités concernant l'utilisation

- Avant de démarrer, lisez, comprenez et suivez toutes les instructions sur la machine et dans le ou les manuels.
- Ne mettez ni les mains ni les pieds sous la machine. Tenez-vous toujours à l'écart de l'ouverture d'éjection.
- Seuls les adultes responsables et familiarisés avec les instructions devraient être autorisés à utiliser cette machine.
- Débarrassez la zone à tondre de tout corps étranger, par exemple les roches, fils, jouets et autres éléments divers susceptibles d'être ramassés et projetés par les lames rotatives.
- Avant de démarrer la tondeuse, assurez-vous qu'il n'y a plus aucun spectateur dans la zone à tondre. Arrêtez la tondeuse si quelqu'un pénètre dans la zone à tondre.
- Avant de démarrer et quand vous reculez avec la tondeuse, regardez toujours vers le bas et l'arrière.
- N'utilisez pas la machine sans que les dispositifs de sécurité et de protection soient en place et en bon ordre de marche.
- N'utilisez jamais la tondeuse dans de l'herbe mouillée. Assurez-vous toujours vos pas; marchez, ne courez jamais quand vous utilisez la tondeuse.
- Maintenez les lames affûtées.

- Gardez les mains et les pieds à bonne distance de l'ensemble de coupe.
- Portez toujours des lunettes de protection quand vous utilisez la machine.
- Les objets heurtés par les lames de la tondeuse à rouleau peuvent provoquer de graves blessures. Avant chaque tonte de pelouse, la zone à tondre doit toujours être inspectée attentivement et débarrassée de tout corps étranger.
- Utilisez uniquement des lames de rechange identiques.

Utilisation sur terrain pentu

Les terrains pentus sont la cause majeure des accidents dus à des glissades ou à des chutes.

Ce type d'accidents peut être à l'origine de graves blessures.

L'utilisation de cette tondeuse sur des terrains en pente nécessite de redoubler de prudence. Si vous ne vous sentez pas à l'aise sur un terrain pentu, ne le tondez pas.

- Tondez en travers de la pente, jamais en montant ou en descendant la pente. Faites preuve d'une extrême prudence quand vous changez de direction sur un terrain pentu.
- Faites attention aux trous, ornières, bosses, roches et à tout ce qui peut être caché. Ils peuvent vous faire glisser ou tomber sans prévenir.
- Ne tondez pas de l'herbe mouillée ou des terrains excessivement pentus. Si vous êtes instable sur vos deux pieds, vous risquez de glisser ou de tomber.
- Ne tondez pas à proximité d'à-pics, de fossés ou de talus. Vous pourriez perdre l'équilibre.

Enfants

Des accidents tragiques peuvent se produire si l'utilisateur ne fait pas attention à la présence d'enfants. Les enfants font souvent preuve d'une grande curiosité à l'égard de la tondeuse et de l'opération de tonte elle-même. Ne supposez jamais que les enfants resteront à l'endroit où vous les avez vus la dernière fois.

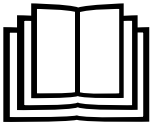







- Maintenez les enfants à l'écart de la zone à tondre et sous la stricte surveillance d'un adulte responsable autre que l'utilisateur.
- Soyez vigilant et arrêtez la tondeuse à rouleau si un enfant pénètre dans la zone à tondre.
- Ne laissez jamais les enfants accéder à la machine.
- Redoublez d'attention en approchant les coins aveugles, les buissons, les arbres ou quoi que ce soit pouvant vous empêcher de voir un enfant.

Entretien et réparation

- Maintenez serrés tous les écrous et boulons.
- Ne trafiquez jamais les dispositifs de sécurité. Faites des vérifications régulières pour vous assurer que ces dispositifs sont en place et en bon ordre de marche.
- Éliminez toute accumulation d'herbe, de feuilles ou d'autres débris sur la tondeuse.
- Si vous heurtez un corps étranger arrêtez le moteur et inspectez la tondeuse à rouleau. Réparez au besoin avant de redémarrer.
- Les lames de la tondeuse sont affûtées. Enveloppez les lames ou portez des gants quand vous les manipulez.
- Maintenez visibles les étiquettes de sécurité et d'instructions ou, le cas échéant, remplacez-les.

Symboles de sécurité

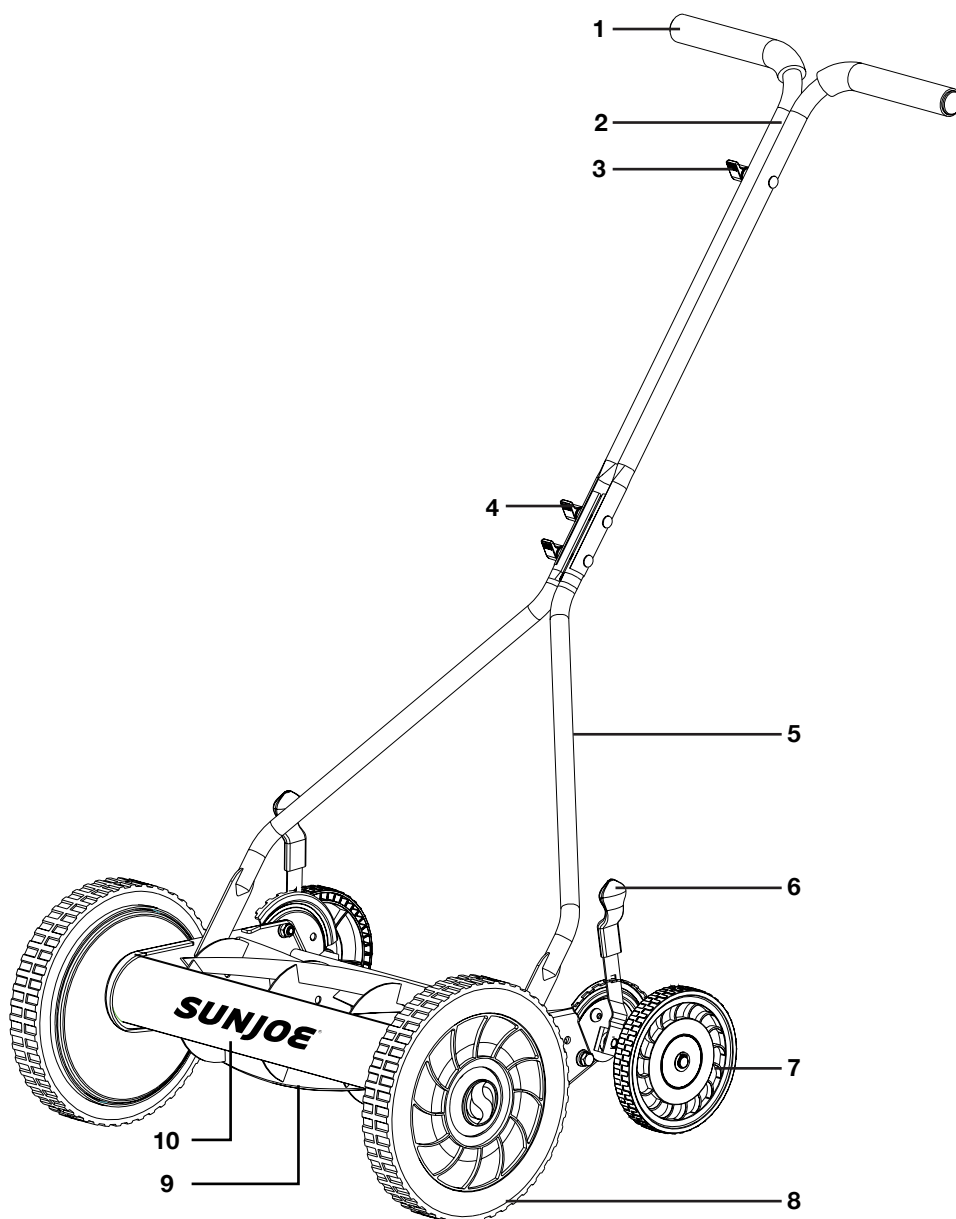
Le tableau suivant décrit et explique les symboles de sécurité pouvant être marqués sur cette machine. Avant d'essayer de procéder à son assemblage et de l'utiliser, lisez, comprenez et suivez toutes les instructions sur cette machine.

Symboles	Descriptions	Symboles	Descriptions
	LIRE LE OU LES MANUELS D'UTILISATION – Lire, comprendre et suivre toutes les instructions du ou des manuels avant d'essayer d'assembler et d'utiliser la machine.		MISE EN GARDE! Attention aux pierres et à d'autres objets pouvant être projetés par la machine.
	ALERTE DE SÉCURITÉ – Indique une précaution, un avertissement ou un danger.		Risque de glissade sur terrain pentu - Faire preuve d'une extrême prudence lors de la tonte sur des pentes afin d'éviter toute glissade ou chute accidentelle.
	DANGER! Danger de coupure/mutilation – Maintenir les pieds éloignés des lames rotatives.		Maintenir les spectateurs et les enfants à une distance de sécurité suffisante.
	DANGER! Les lames sont affûtées et peuvent sectionner les doigts et les orteils. Rester à l'écart de la zone de coupe.		DANGER! Danger de coupure/mutilation – Maintenir les mains éloignées des lames rotatives.

Apprenez à mieux connaître votre tondeuse manuelle à rouleau

Avant d'utiliser la tondeuse à rouleau, lisez attentivement le manuel d'utilisation et les consignes de sécurité. Pour vous familiariser avec l'emplacement des différents réglages et commandes, comparez l'illustration ci-dessous avec votre tondeuse à rouleau. Conservez ce manuel pour pouvoir le consulter dans le futur.

1. Rembourrage en mousse
2. Tube supérieur de guidon (2)
3. Bouton et boulon de guidon supérieur
4. Bouton et boulon de guidon inférieur (2)
5. Tube de guidon inférieur (2)
6. Levier de réglage de hauteur
7. Roue arrière (2)
8. Roue avant (2)
9. Lames en acier
10. Corps de tondeuse à rouleau



Données techniques

Rotor	5 lames en acier	Dimensions des roues	Avant : 25 cm Arrière : 15 cm
Largeur de coupe	35,6 cm	Réglage de hauteur	Manuel, 9 positions
Hauteurs de coupe	27 mm – 73 mm	Poids net	10,8 kg

Déballage

Contenu de la caisse :

- Corps de tondeuse à rouleau
- Tube supérieur de guidon (2)
- Tube inférieur de guidon (2)
- Bouton et boulon de guidon (3)
- Bande de papier d'essai (20)
- Clé hexagonale
- Manuel et carte d'enregistrement

1. Retirez soigneusement la tondeuse à rouleau de la caisse et inspectez-la pour vérifier que tous les éléments énumérés ci-dessus sont fournis.
2. Inspectez soigneusement le contenu pour vous assurer qu'aucun élément ne s'est cassé ou n'a été endommagé pendant le transport. Si vous constatez que des pièces manquent ou sont endommagées, NE PAS retourner la caisse au magasin. Veuillez appeler le service clientèle Snow Joe® + Sun Joe® au 1-866-SNOWJOE (1-866-766-9563).

REMARQUE : ne jetez pas la caisse d'expédition et l'emballage tant que vous n'êtes pas prêt à utiliser votre nouvelle tondeuse manuelle à rouleau. L'emballage est fabriqué dans des matériaux recyclables. Éliminez ces matériaux de façon appropriée et conformément à la réglementation locale.

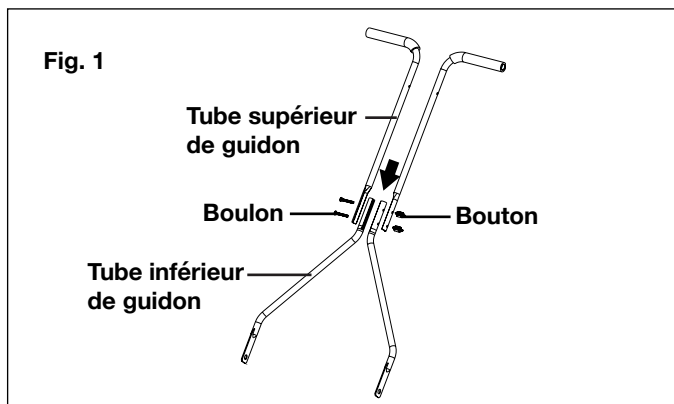
IMPORTANT! Le matériel et l'emballage ne sont pas des jouets. Ne laissez pas les enfants jouer avec les sacs en plastique, les feuilles métalliques ou les petites pièces. Ces éléments peuvent être avalés et risquent de provoquer une suffocation!

Assemblage

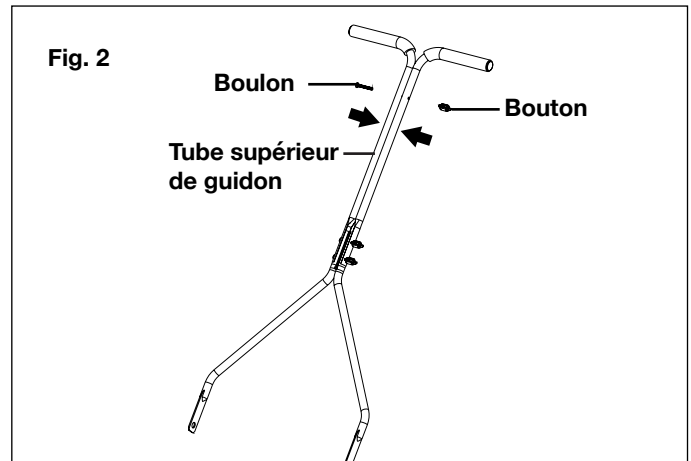
Montage du guidon

REMARQUE : ne serrez pas complètement les boutons tant que l'assemblage n'est pas terminé.

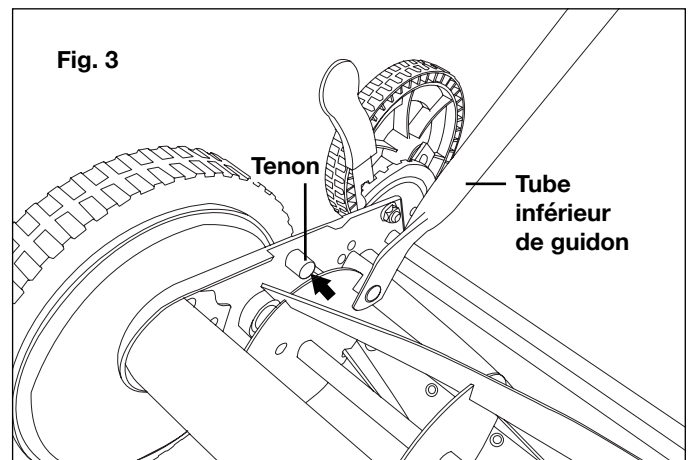
1. Attachez les deux tubes inférieurs de guidon aux tubes supérieurs de guidon à l'aide des deux boutons et boulons fournis. Serrez les boutons de chaque côté pour bien attacher les tubes (Fig. 1).



2. Attachez ensemble les deux tubes supérieurs de guidon à l'aide du bouton et du boulon fournis. Serrez le bouton pour bien attacher les deux tubes (Fig. 2).



3. Après avoir assemblé le guidon, alignez les trous au niveau de l'extrémité inférieure de chaque tube de guidon avec les petits tenons qui ressortent des plaques latérales de la carcasse de la tondeuse (Fig. 3).



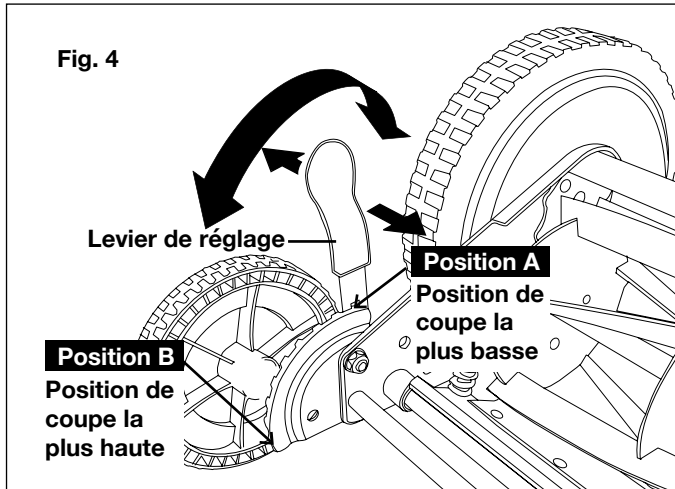
4. Tirez les deux tubes inférieurs du guidon de manière à ce que les tenons rentrent dans les trous. Poussez vers l'intérieur les deux tubes inférieurs du guidon et assurez-vous que les tenons sont bien rentrés dans les trous.

Utilisation

Réglage de hauteur de coupe

1. La hauteur de coupe de la tondeuse à rouleau de 35,6 cm peut se régler de 27 mm à 73 mm en déplaçant les leviers de réglage à 9 positions pour obtenir la hauteur voulue. Les leviers de réglage de hauteur sont situés près des petites roues.
2. Pour régler la tondeuse sur la position de coupe la plus basse, tirez les leviers de réglage des deux côtés, un à la fois, et amenez-les à la position A (Fig. 4).
3. Pour régler la tondeuse sur la position de coupe la plus haute, amenez les deux leviers de réglage à la position B (Fig. 4).

REMARQUE : les deux leviers de réglage DOIVENT être sur la même position (hauteur).



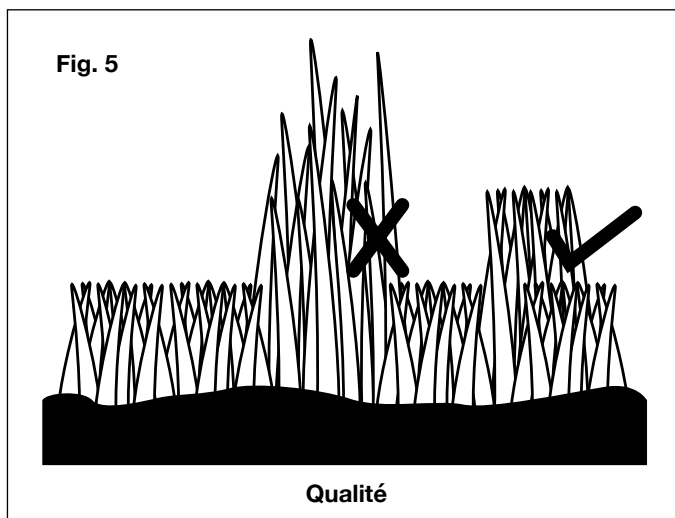
4. Le réglage sur les autres positions de coupe s'effectue en déplaçant les leviers de réglage entre la position la plus haute et la position la plus basse.

Pour obtenir une coupe franche

⚠️ AVERTISSEMENT! Les lames d'acier sont extrêmement acérées. Pour éviter de se blesser, ne pas toucher les lames pendant les réglages.

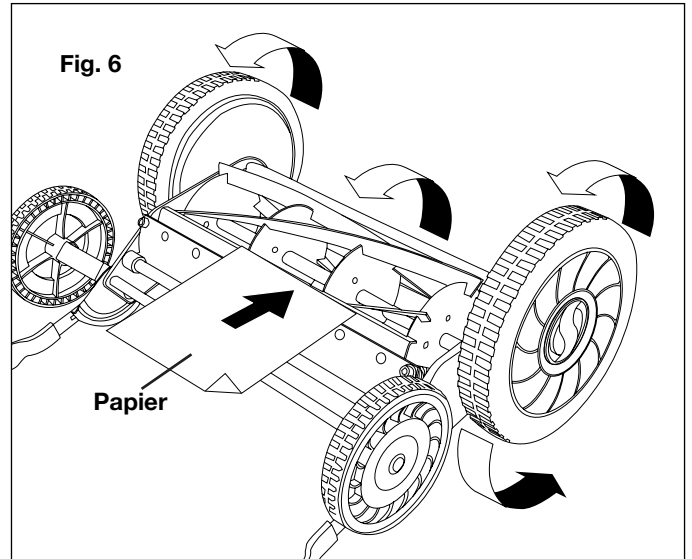
REMARQUE : bien que les lames soient préréglées avant de quitter l'usine, il est recommandé de vérifier le réglage avant la première utilisation.

REMARQUE : les vibrations se produisant pendant l'expédition peuvent entraîner le désalignement des lames qui, souvent, deviennent alors trop serrées ou insuffisamment serrées. La coupe est alors irrégulière, la tondeuse pouvant même être difficile à pousser (Fig. 5).



1. Pour vérifier l'alignement des lames, placez la tondeuse sur une surface plane. Retirez les guidons et retournez sur lui-même le rouleau de la tondeuse afin de pouvoir accéder au guide de coupe.

2. Insérez une bande de papier entre le rouleau à lames et le guide de coupe, puis tournez lentement la roue à la main (Fig. 6).



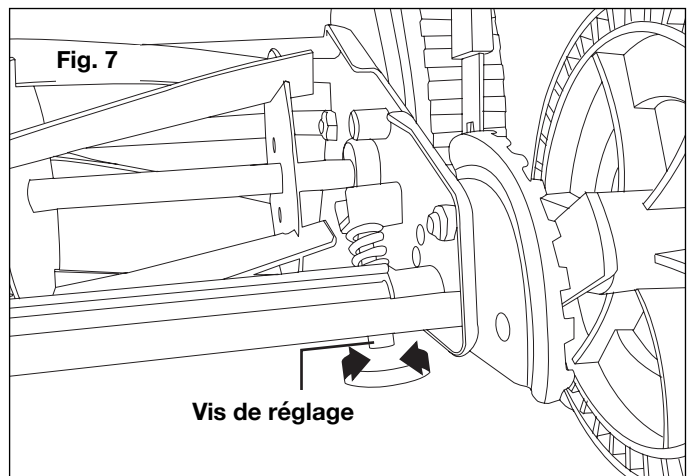
3. Si vous tournez sans à-coups le rouleau, toutes les lames devraient couper le papier uniformément sur toute la longueur du guide de coupe.

4. Si les lames coupent le papier irrégulièrement, un réglage doit être effectué du côté approprié des lames afin d'obtenir un rendement de coupe optimal.

Réglage des lames de tondeuse

1. Chaque extrémité du guide de coupe peut être réglée séparément.

2. La lame du guide de coupe qui est située sous le rouleau est capable de pivoter. Les deux écrous de réglage situés à l'arrière de la tondeuse éloignent le guide de coupe des lames quand on les tourne dans le sens contraire des aiguilles d'une montre; ils le rapprochent des lames quand on les tourne dans le sens des aiguilles d'une montre (Fig. 7).



⚠ AVERTISSEMENT! Ne pas trop serrer les vis de réglage, car cela pourrait endommager le guide de coupe. Les deux vis doivent être serrées lors du réglage final.

3. Pour desserrer les lames, utilisez la clé hexagonale fournie et tournez les deux vis de réglage de façon identique dans le sens contraire des aiguilles d'une montre.
4. Pour serrer les lames, serrez les deux vis en les tournant de façon identique dans le sens des aiguilles d'une montre.

REMARQUE : si vous avez la moindre question, n'hésitez pas à appeler le service clientèle Snow Joe® + Sun Joe® au 1-866-SNOWJOE (1-866-766-9563) pour de l'aide.

5. Une fois que les lames de la tondeuse ont été correctement réglées et que leur alignement a été vérifié, vous pouvez commencer à utiliser votre tondeuse à rouleau. Alignez la flèche indicatrice du chemin de coupe avec le chemin de coupe précédent.

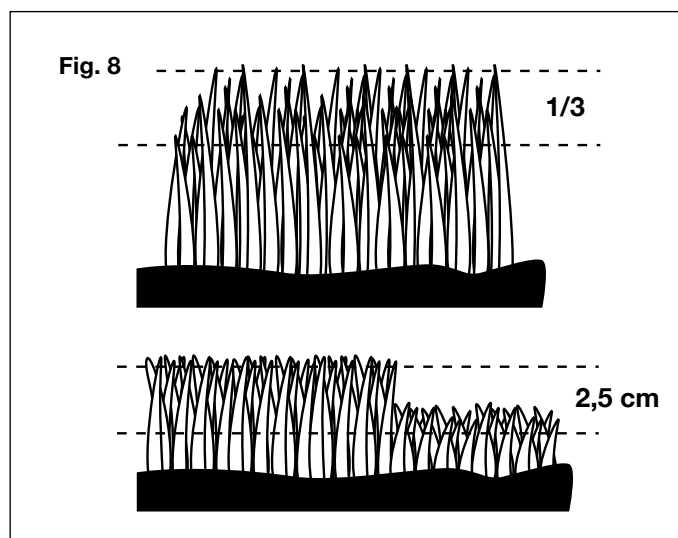
REMARQUE : la largeur réelle du chemin de coupe est indiquée ci-dessous. Ne prenez pas les roues de la tondeuse comme points de référence pour la ligne de coupe.

Conseils pour la tonte

Suivez la règle du tiers

La règle du tiers est essentielle pour tondre de façon optimale et avoir une pelouse saine.

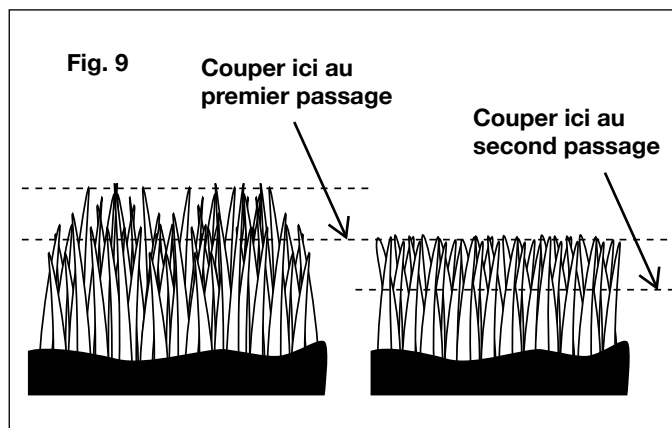
1. Vous devez tondre régulièrement votre pelouse, au moins une fois par semaine pendant la saison de pousse.
2. Guidez-vous en observant la pelouse et en faisant attention de ne pas couper plus du tiers (1/3) de la hauteur totale de l'herbe pendant une session de tonte et de ne jamais couper plus de 2,5 cm à la fois (Fig. 8).



3. Si vous suivez cette règle, la croissance racinaire de l'herbe sera stimulée; elle restera saine et sa capacité naturelle à éliminer les mauvaises herbes sera renforcée.

L'herbe haute nécessite plusieurs passages.

1. Pour l'herbe extrêmement haute, réglez la hauteur de coupe au maximum pour le premier passage, puis réglez-la à la hauteur voulue et repassez la tondeuse une seconde, voire même une troisième fois (Fig. 9).

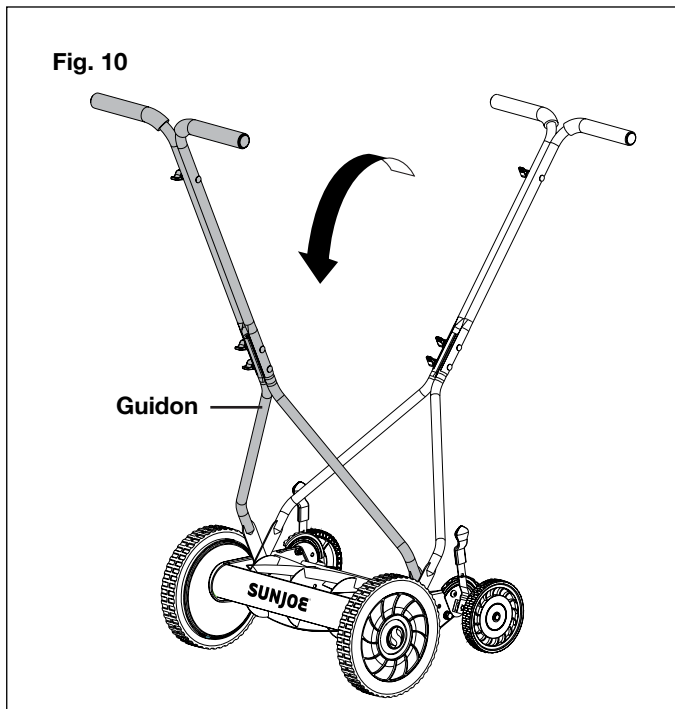


2. Couper une trop grande hauteur d'herbe, spécialement quand il fait chaud l'été, peut causer un choc à la racine et affaiblir le gazon. Réduire la hauteur de l'herbe par tontes successives sur deux jours ou plus peut éviter d'abimer la pelouse et la maintenir en bonne santé.
3. Si la pelouse a trop poussé [la hauteur de l'herbe est supérieure à 10 cm], il peut s'avérer nécessaire d'utiliser un coupe-broussailles pour couper l'herbe en trop avant de recommencer à tondre à une hauteur normale.

REMARQUE : ne recouvrez pas la surface herbeuse d'une couche épaisse d'herbe coupée. Envisagez l'utilisation d'un système de ramassage de l'herbe et commencez à entasser le compost.

Transport de la tondeuse

En utilisation normale, le rouleau de la tondeuse tournera tant que les roues avant de la tondeuse tournent. Pour déplacer sans danger la tondeuse d'un endroit à un autre sans que le rouleau tourne, faites simplement pivoter le guidon sur le rouleau et poussez la tondeuse en sens inverse. En poussant la tondeuse de cette façon (mode de transport), vous empêchez le rouleau à lames de tourner (Fig. 10).



Soin et entretien

1. Pour que votre tondeuse soit efficace, elle nécessite un minimum d'entretien.
2. Pour éviter d'endommager la tondeuse ou les lames de coupe, assurez-vous que la zone à tondre est exempte de débris.
3. Pour obtenir de meilleurs résultats, lubrifiez régulièrement les surfaces de coupe de la tondeuse, l'arbre du rouleau de coupe et les roues.

Affutage des lames de coupe

1. Étalez une mince couche de poudre abrasive de rodage sur le tranchant avant des lames du rouleau.
2. Réglez le guide de coupe de manière à ce que la lame ait un contact léger mais réel sur toute la largeur du guide de coupe.

⚠ MISE EN GARDE! Ne pas trop serrer les vis de réglage, car cela pourrait endommager le guide de coupe. Serrer les deux vis lors du réglage final.

3. Tournez les lames du rouleau jusqu'à ce que le contact du tranchant avant de la lame du guide de coupe soit impeccable.

⚠ AVERTISSEMENT! Éliminer toute la pâte à roder ou les débris de la lame du guide de coupe, de la lame du rouleau, des pignons et des cliquets.

REMARQUE : utilisez de la poudre abrasive de rodage industrielle ou pour soupapes entre 100 et 240 grains.

REMARQUE : lubrifiez l'axe des roues et le pignon à l'aide d'un léger film de graisse pour roulement de roues.

Nettoyage et remisage

1. Avant le remisage, nettoyez soigneusement l'extérieur de la machine à l'aide d'une brosse souple et d'un chiffon. N'utilisez pas d'eau, de solvants ou de produits à polir.
2. Pour nettoyer la zone des lames, retournez la tondeuse sur son flanc.

⚠ AVERTISSEMENT! Ne pas mettre les mains dans la zone de coupe ou à proximité. Si de l'herbe coupée s'est accumulée dans la zone des lames, la retirer en utilisant un outil de curetage approprié, en bois ou en plastique, pour le nettoyage des lames.

3. Remisez la tondeuse dans un endroit sec. Ne mettez rien sur la partie supérieure de la tondeuse pendant son remisage.

Conseils pour l'entretien

Les tondeuses à rouleau nécessitent relativement peu d'entretien. Pour une coupe régulière, suivez les instructions ci-dessous :

- Toujours maintenir le guide de coupe convenablement réglé. Se reporter au manuel d'instructions pour d'autres conseils.
- Nettoyer et lubrifier régulièrement les bords de coupe en appliquant une huile légère pour pulvérisation.

IMPORTANT! Les tondeuses à rouleau ont du mal à couper les mauvaises herbes hautes, par exemple les pissenlits, et elles coucheront ces mauvaises herbes au lieu de les couper. Tondez souvent pour éviter ce problème.

Service après-vente et assistance technique

Si votre tondeuse mécanique à rouleau Snow Joe® nécessite une réparation ou un entretien, veuillez appeler le service clientèle Snow Joe® + Sun Joe® au 1-866-SNOWJOE (1-866-766-9563).

Numéros de modèle et de série

Lorsque vous communiquez avec l'entreprise pour commander des pièces, vous devez fournir les numéros de modèle et de série de votre machine. Ceux-ci se trouvent sur l'étiquette autocollante apposée sur le caisson de votre tondeuse. Copiez ces numéros dans l'espace réservé ci-dessous.

Veuillez noter les numéros suivants sur le caisson ou le guidon de votre nouvelle machine :

N° de modèle :

M | J | 5 | 0 | 3 | M | _____

N° de série :



LA PROMESSE DE SNOW JOE® + SUN JOE® À SES CLIENTS

Vous êtes notre client et Snow Joe, LLC (« Snow Joe ») **SE MET EN QUATRE** pour vous servir. Nous nous efforçons de vous rendre l'utilisation de nos produits aussi plaisante que possible. Malheureusement, il peut arriver qu'un produit Snow Joe®, Sun Joe® ou Aqua Joe (« Produit ») ne fonctionne pas ou se casse dans des conditions d'utilisation normales. Nous pensons qu'il est important que vous sachiez ce que vous pouvez attendre de nous. C'est pourquoi nous avons une garantie limitée (« Garantie ») pour nos Produits.

NOTRE GARANTIE :

Snow Joe déclare et garantit que les Produits neufs, d'origine, électriques ou non électriques sont exempts de vices de matière ou de fabrication et, lorsqu'ils font l'objet d'une utilisation résidentielle et ménagère ordinaire, les garantit pendant une période de deux ans à compter de la date d'achat au détail par l'acheteur primitif auprès de Snow Joe ou d'un des revendeurs agréés de Snow Joe, preuve d'achat à l'appui. Étant donné que Snow Joe ne peut pas contrôler la qualité de ses Produits vendus par des revendeurs non agréés, sauf stipulation contraire de la loi, la présente Garantie ne couvre pas les Produits achetés auprès de vendeurs non agréés. Si votre Produit ne fonctionne pas ou si une pièce spécifique couverte par les modalités de la présente Garantie fait l'objet d'un problème quelconque, Snow Joe choisira (1) de vous envoyer une pièce de rechange gratuite, (2) de remplacer le Produit par un produit neuf ou comparable, gratuitement, ou (3) de réparer le Produit. Génial, n'est-ce pas?

La présente Garantie vous donne des droits judiciaires spécifiques, et vous pouvez également avoir d'autres droits qui peuvent varier d'une province ou d'un territoire à l'autre.

ENREGISTREMENT DU PRODUIT :

Snow Joe vous recommande vivement d'enregistrer votre Produit. Vous pouvez l'enregistrer en ligne sur le site snowjoe.com/register, ou en imprimant et en envoyant par courrier une carte d'enregistrement offerte en ligne sur notre site Web, ou par téléphone en appelant notre Service à la clientèle au **1-866-SNOWJOE (1-866-766-9563)**, ou encore en nous envoyant un courriel à l'adresse help@snowjoe.com. Le fait de ne pas enregistrer l'achat de votre Produit n'a aucune conséquence sur vos droits concernant la garantie. Toutefois, l'enregistrement de votre Produit permettra à Snow Joe de mieux répondre au moindre besoin que vous pourriez avoir en matière de service à la clientèle.

QUI PEUT REVENDIQUER LA COUVERTURE DE LA GARANTIE?

La présente Garantie est étendue par Snow Joe à l'acheteur et propriétaire primitif du Produit.

QU'EST-CE QUI N'EST PAS COUVERT?

La présente Garantie ne s'applique pas si le Produit a été utilisé commercialement, pour des travaux non résidentiels ou s'il fait l'objet d'une location. La présente Garantie ne s'applique pas non plus si le Produit a été acheté auprès d'un revendeur non agréé. La présente garantie ne couvre pas non plus les changements cosmétiques qui n'affectent pas le rendement. Les pièces d'usure comme les courroies, les tarières, les chaînes et les dents ne sont pas couvertes au titre de la présente Garantie et peuvent être achetées en ligne sur le site snowjoe.com ou en appelant le **1-866-SNOWJOE (1-866-766-9563)**.



sunjoe.com