

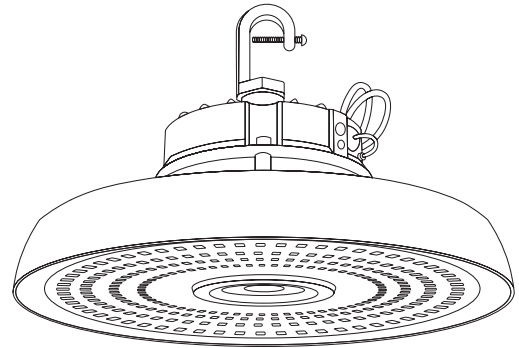
# UFO HIGH BAY LED FIXTURE WITH ACCESSORY SOCKET

## Installation Manual

### COMPONENTS



x1  
Hook



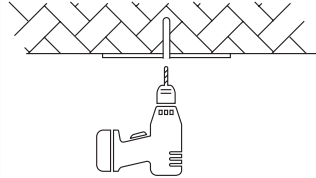
### EASY INSTALLATION

Suspended with Lifting Hook

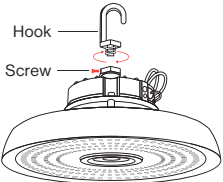


Turn Power OFF

1. Turn off power at circuit breaker before installing.

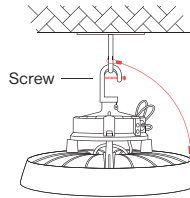


2. Drill pilot hole in ceiling and install chain or ceiling hook (not included) for adequate support.

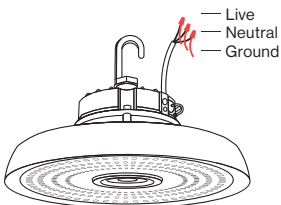


3. Attach provided lifting hook by turning clockwise into UFO fixture. Tighten screw to lock into place.

4. Use lifting hook to hang fixture onto ceiling



5. Secure light with safety cables (not included) to prevent it from falling.  
- Use screw to lock lifting hook in place



6. Use wire nuts to connect supply wires to fixture wires.

- Black to Black
- White to White
- Ground to Ground



Turn Power ON

7. Turn on circuit breaker and test light.

### WARNING

**To reduce the risk of fire, electric shock, or physical injury:**

- This product should be installed by a person familiar with the construction and operation of the product and the hazards involved.
- Abide by related regional and local laws or regulations.
- Check for shipping damage prior to install. If the product is damaged, do not use it.
- Always turn off power to the switch and circuit breaker before installing a new light fixture.
- Proper grounding is required to ensure safety. Do not install this fixture in the rain.
- If you experience smoke or fire in the wires or lamps during or after installation, turn off the power immediately and notify relevant personnel.
- Clean the fixture regularly to ensure proper operation. Do not clean with harsh solvents.
- Use safety precautions. Safety eyeglasses and gloves are recommended.

### SPECIFICATIONS

Voltage	100-277
Wattage	150
Moisture Rating	Wet
Housing Material	Aluminum Alloy + PC
Weight	6.2 lbs
Warranty	12 Years