

# sunlite®

## INSTALLATION INSTRUCTIONS

LED LINEAR STRIP LIGHTS



0-10V DIMMABLE

Compatible with most wall based 0-10V dimming controllers

POWER SELECTABLE SWITCH



COLOR SELECTABLE SWITCH



Please read and understand this entire manual before attempting to assemble, operate or install the product.

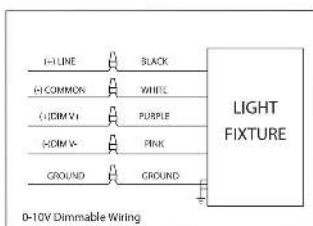
**WARNINGS & CAUTIONS:** Risk of fire or electric shock. Turn power off before inspection, installation code by a person familiar with the construction and operation of the product and the hazards involved. If you do not have sufficient electrical wiring experience, please consult a qualified electrician. To prevent wiring damage of abrasion, do not expose wiring to edges of sheet metal or other sharp objects. Do not install this fixture where there is risk of rain or moisture exposure. Install this kit only in the luminaires that have construction features and dimmings shown in the instructions. Ambient operation temperature -20°C~50 °C(-4F ~122F). Min 90°C supply conductors, Suitable for damp locations.

Remark: Ambient operation temperature -0°C~50 °C(32F ~122F) for Emergency Battery.



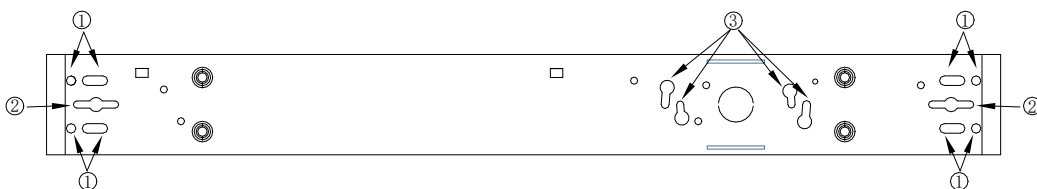
### Installation

### Wiring Diagram



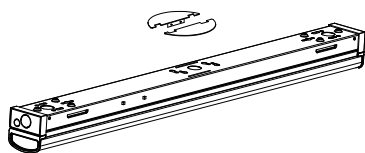
What the holes used for?

- ① for Suspension installation(V-Hook).
- ② for Surface installation(ceiling) and corner bracket installation.
- ③ for Surface installation(ceiling with J-box).

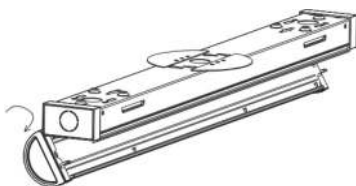


### Ceiling Mount

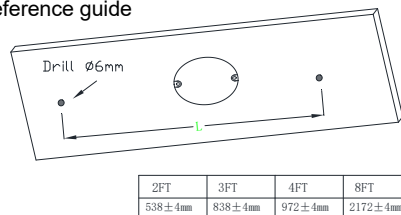
1. Insert J-Box cover in to slots on the bottom of the fixture like shown below



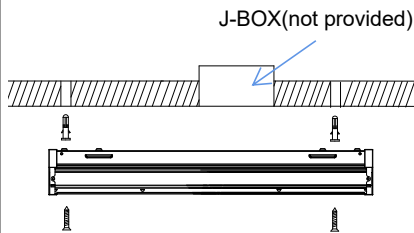
2. Open the lens section. the lens will hang off of the fixture hinge.



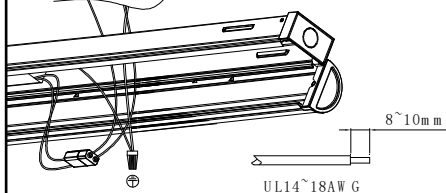
3. Drill mounting holes in ceiling using reference guide



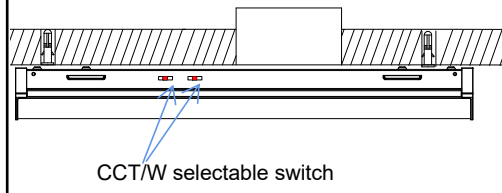
4. Insert anchors into drilled holes from step3 and install fixture using provided screws.



5. Connect supply wires to fixture wires. Black to black, white to white, and green to green. for 0-10v dimming, connect the violet wire to the positive dimming wire and the grey wire to the negative dimming wire

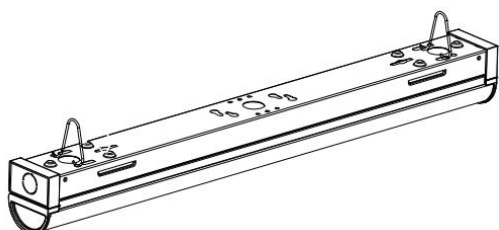


6. Select color temperature and wattage on switches on the side of the fixture(shown below)

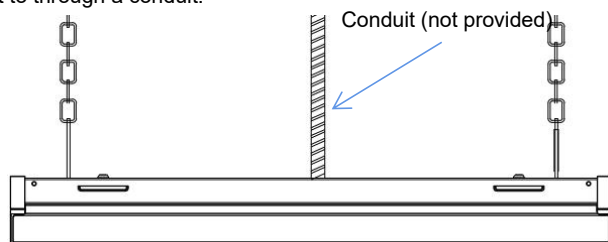


### Suspended mount kit (sold separately) 85636-SU

1. Attach V-Hooks to existing keyholes on the fixture.



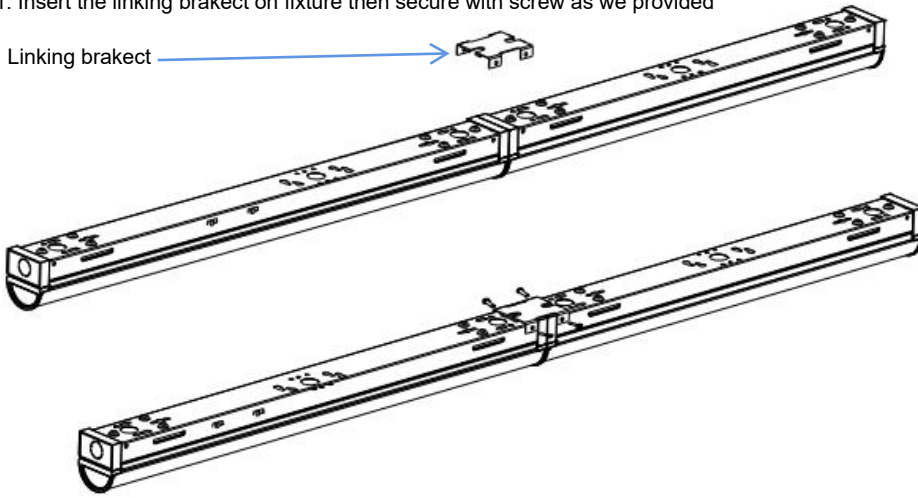
2. Hang the v-hook on the chain.
3. Wiring method is the same as ceiling mount. All of the wiring must to through a conduit.



### Linking Bracket for suspended mount(Sold seperately)

1. Insert the linking braket on fixture then secure with screw as we provided

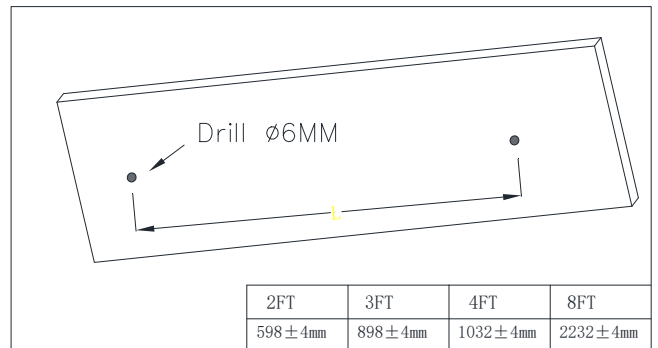
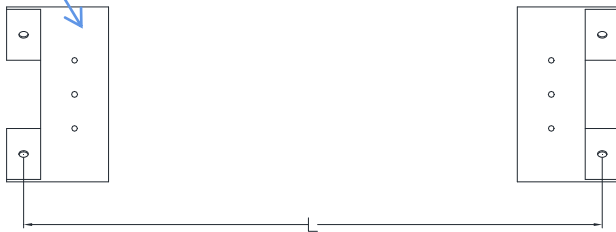
Linking braket



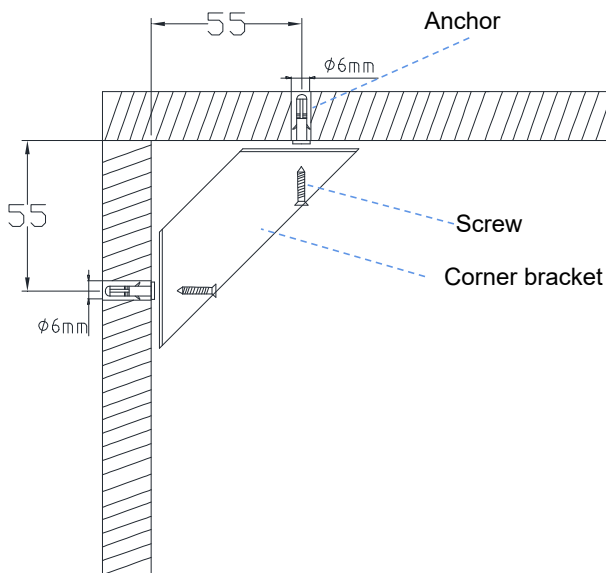
### Corner Bracket for corner mount(Sold seperately)

1. Drill mounting holes on the wall using the reference guide below.

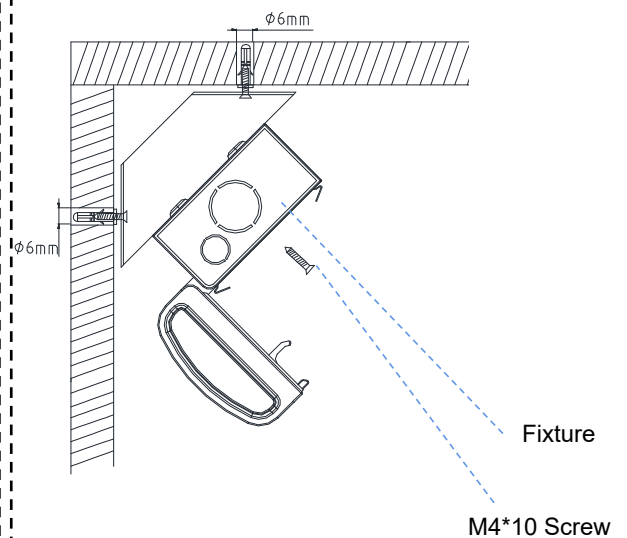
Corner braket



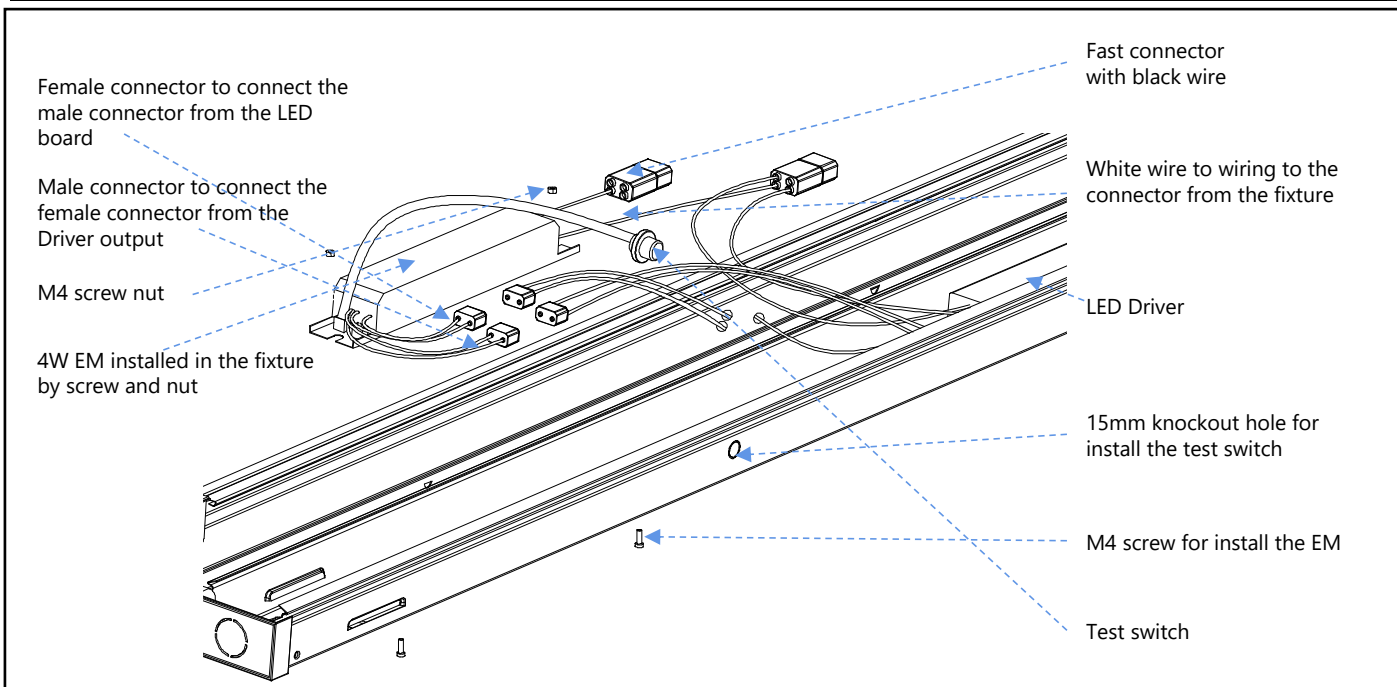
2. Insert anchors into the mounting holes then attach the corner bracket on the wall by screwing. screws into anchors.



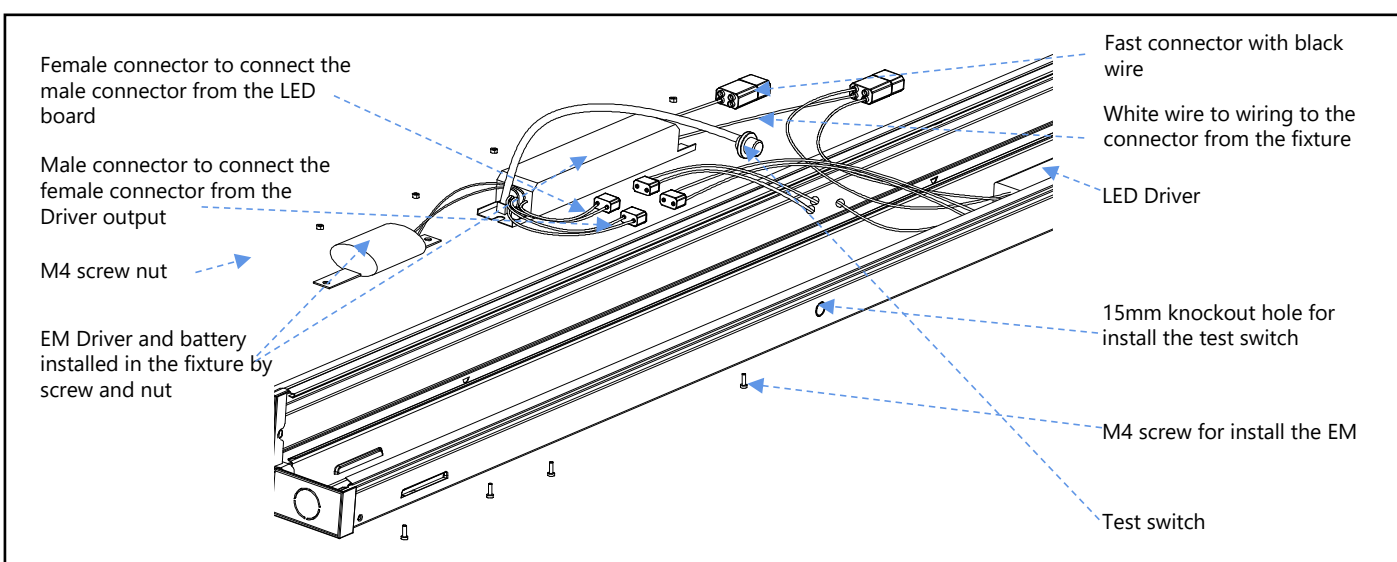
3. Mount the fixture on the brackets by M4\*10 screws.



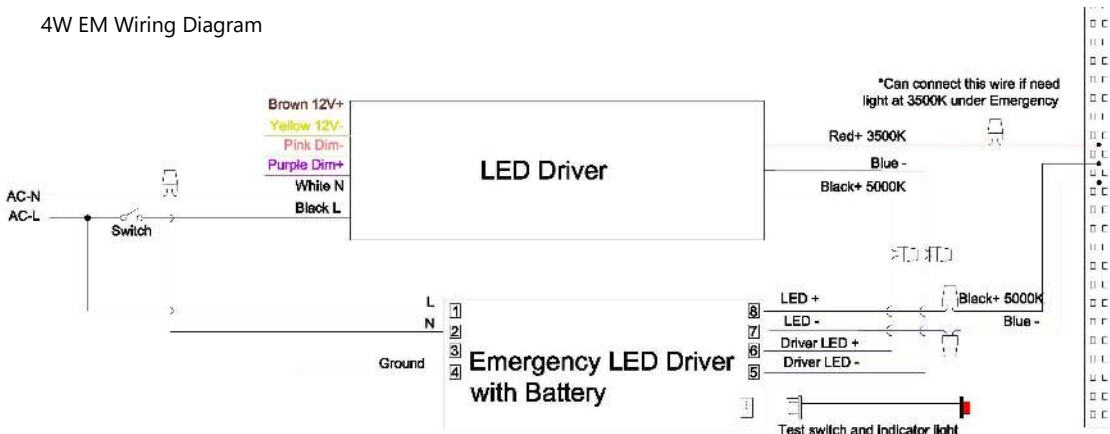
### With Emergency battery-4W (Sold seperately)



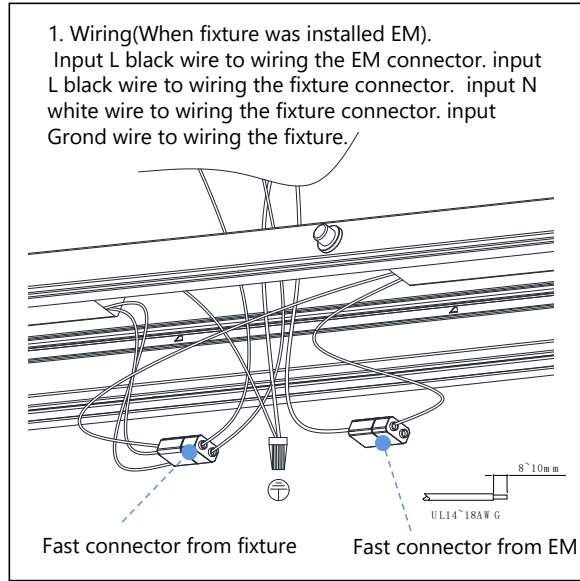
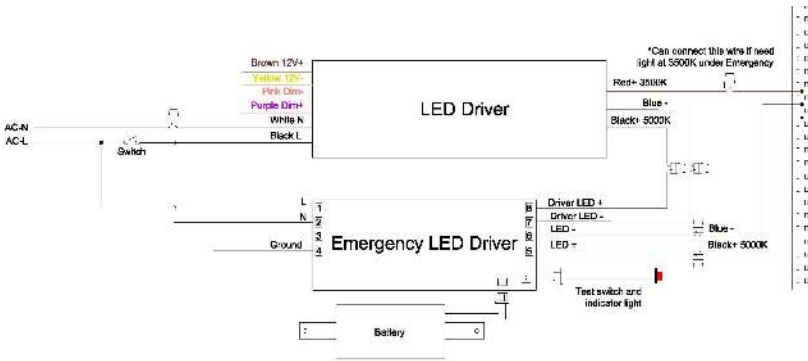
### With Emergency battery-6W OR 8W (Sold seperately)



4W EM Wiring Diagram



### 6 or 8W EM Wiring Diagram



### Indicator Light Introduction

- ① Red/ON: Charging or charge full
- ② Red/OFF: Discharging or AC Power is off



### Test Switch Introduction

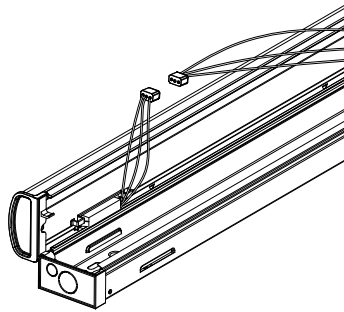
Press the test swith to confirm whether emergency function is normal



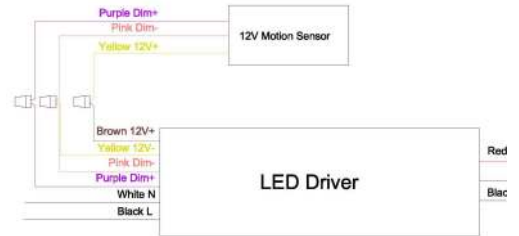
## Motion Sensor (Sold seperately)

1. install the 12V sensor on the fixture. and wiring to the driver by fast connector.

- Sensor default settings:  
 Brightness:100%  
 Sensitivity:75%  
 Hold Time:10S  
 Daylight Sensor:Disable  
 Stand-by dim: 10%  
 Stand-by time: +∞  
 \*You can change the settings from the factory default setting by remote(sold seperately Item no. 85639-SU)



### Wiring diagram



## Photocell (Sold seperately)

1.Wiring. wire as the wiring diagram.

### Wiring Diagram

