

## INSTALLATION INSTRUCTIONS

### LED VANITY FIXTURE

120VAC/60Hz Input, Dimmable

### READ AND FOLLOW SAFETY INFORMATION

**CAUTION** - Turn off the main power at the circuit breaker before installing and servicing the fixture to prevent possible injury from electric shock.

All electrical connections must be in accordance with local and National Electrical Code (N.E.C.) standards. If you are unfamiliar with proper electrical wiring connections, obtain the services of a qualified electrician.

### INSTALLATION & ASSEMBLY

1. Pull the power supply wires out from the outlet box (1). Attach the mounting backplate(2) to the outlet box using two mounting screws (3).
2. Make wire connections, connect the black supply wire (5) to black fixture wire (9), white supply wire (4) to white fixture wire(8) and the fixture ground wire(10) to supply ground wire(6) using wire nuts (7). Wrap all wire connections with electrical tape for secure connection.
3. Place the Back Plate (11) of the lamp over the mounting bracket(2). Insert the fixture pan screws (12) and tighten to secure the lamp to the ceiling.
4. Installation complete, restore power at the circuit breaker and turn light switch on to activate this fixture.

**Dimming-** This product is compatible with most common residential type dimmers, dimming performance depends on dimmers.

#### Recommended Dimmers:

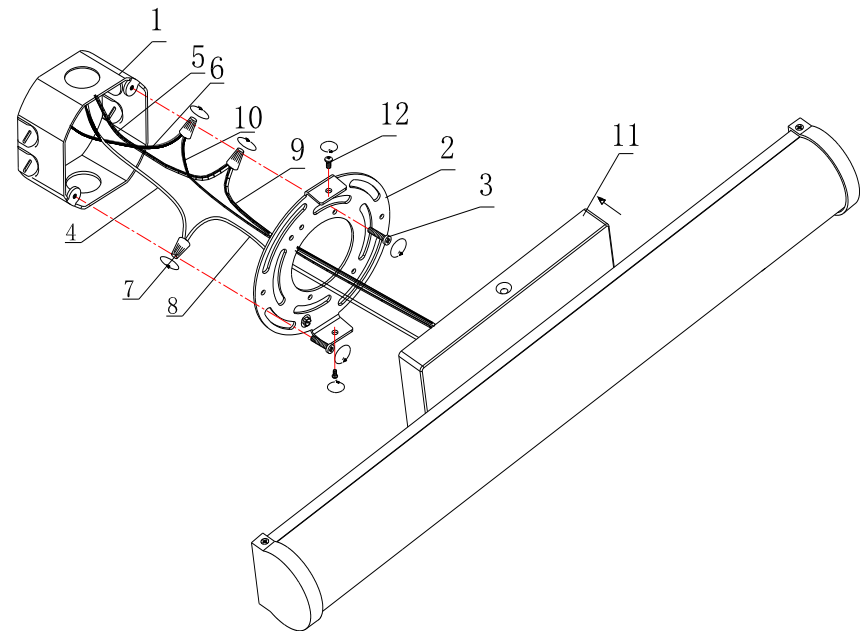
Lutron VL-153P, SCL-153P, CTCL-153P, TGCL-153P

Leviton 6674 6672

Care and maintenance – Use a clean, soft cloth to wipe the surface of the fixture.

DO NOT use any cleaners with chemicals, solvents or harsh abrasives

Replacement- This LED product has no bulb to replace.



- |                              |                         |
|------------------------------|-------------------------|
| 1. OUTLET BOX (NOT INCLUDED) | 7. WIRE NUT             |
| 2. MOUNTING BRACKET          | 8. WHITE FIXTURE WIRE   |
| 3. MOUNTING SCREW            | 9. BLACK FIXTURE WIRE   |
| 4. WHITE SUPPLY WIRE         | 10. FIXTURE GROUND WIRE |
| 5. BLACK SUPPLY WIRE         | 11. BACK PLATE          |
| 6. SUPPLY GROUND WIRE        | 12. SCREW               |