

SUNRICHER

0-10V BLE Ceiling Mounted PIR Sensor Controller



Product Datasheet

Please read all instructions before installation

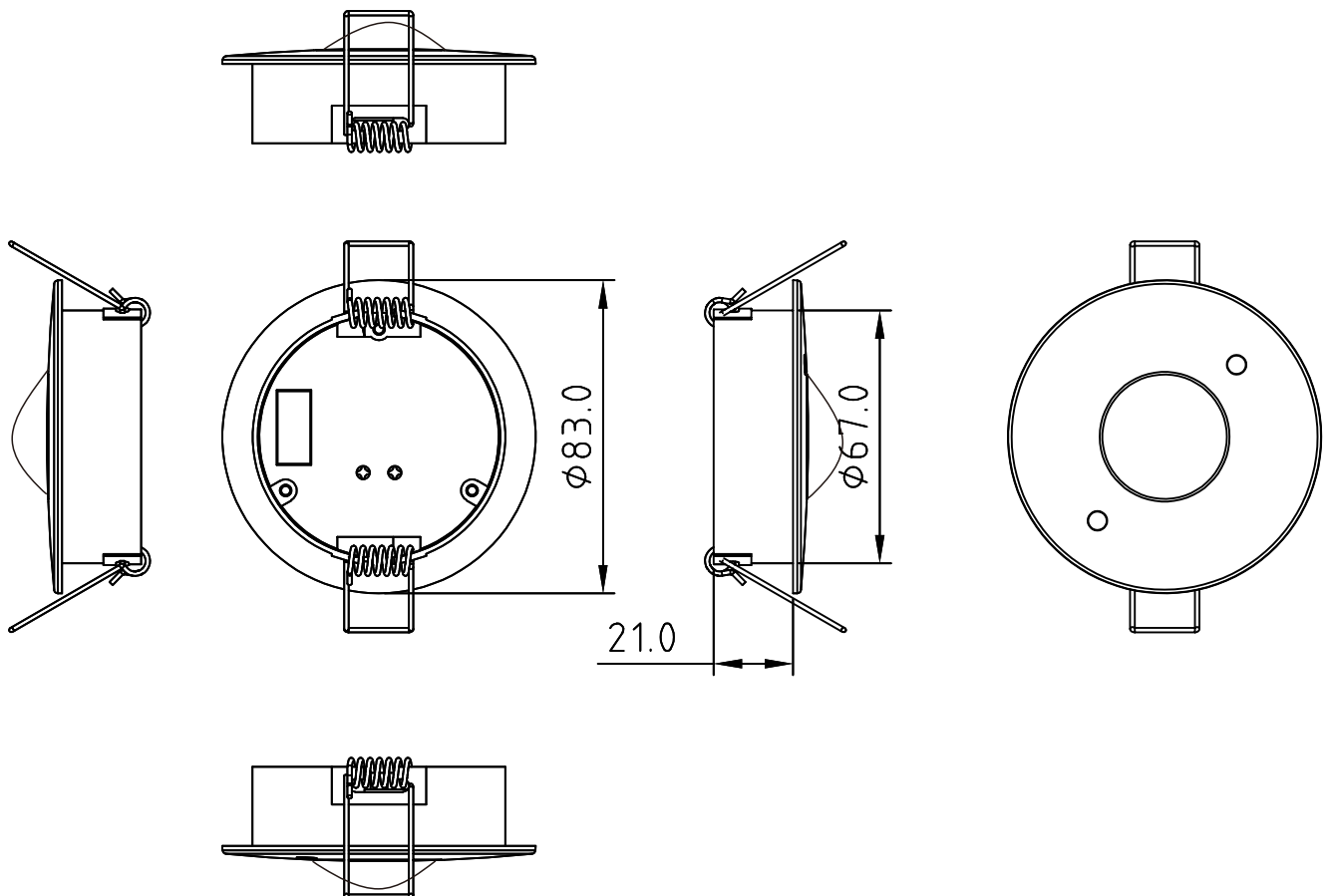


Technology Partner **SILVAIR**

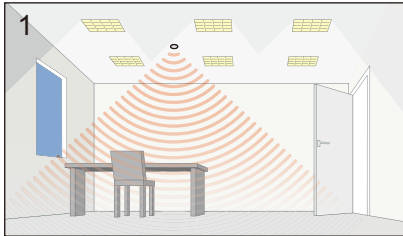
Features

- 0-10V BLE ceiling mounted sensor controller, Bluetooth® mesh network
- PIR sensing with daylight harvesting function
- Built-in 20mA 0-10V signal output
- Mesh network, which has a much longer control distance, transmits received signals to neighboring devices
- All devices on 0-10V line are broadcast controlled by mobile application
- Supporting our kinetic energy switches and EnOcean switches EWSSB and EWSDB
- In typical indoor environment, the range for wireless communication is 20m to 25m . Actual range is dependent on field installation.
- On-board antenna
- Available with Magnetic reset (Touch the top part of sensor for 5 seconds)
- Waterproof grade: IP20
- 5 years warranty

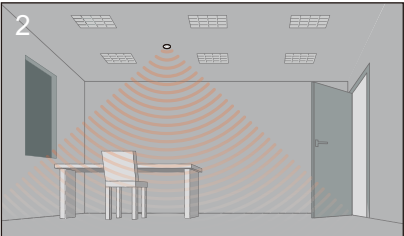
Dimension



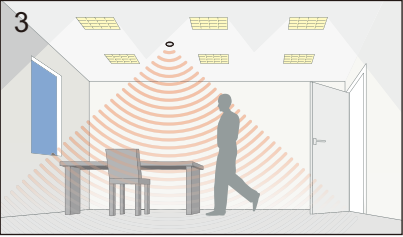
Application



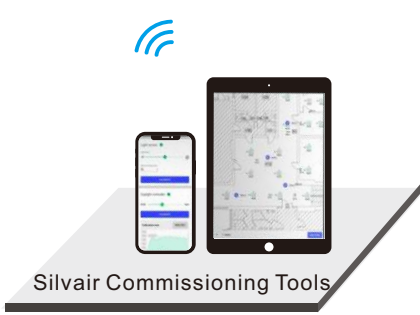
1. Power up the sensor. The load should come on immediately.



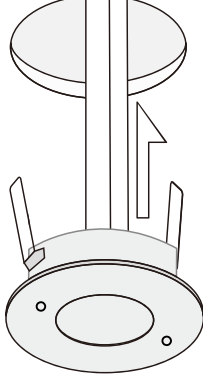
2. Vacate the room or remain very still and wait for the load to switch off.



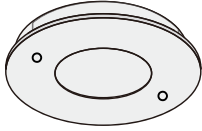
3. Enter the room or make some movement and check that the load switches on.



Silvair Commissioning Tools



Bend the springs up and push detector through hole in ceiling. When fully inserted the springs snap back to hold the device in place. To avoid injury, take care when bending springs.



Installation complete.

Specifications

ENERGY SAVINGS

- Low/High-end trimming
- Daylight harvesting
- Occupancy/Vacancy detection
- Auto and advanced demand response programs
- Time-of-Day dimming schedule
- Energy monitoring

COMFORT & CONVENIENCE

- Advanced occupancy detections
- Light-level stability
- Configurable dim-and-linger occupancy
- Personalized setting profile
- Work with kinetic switch keypad and dimmer wallstation
- Multi-scenes control

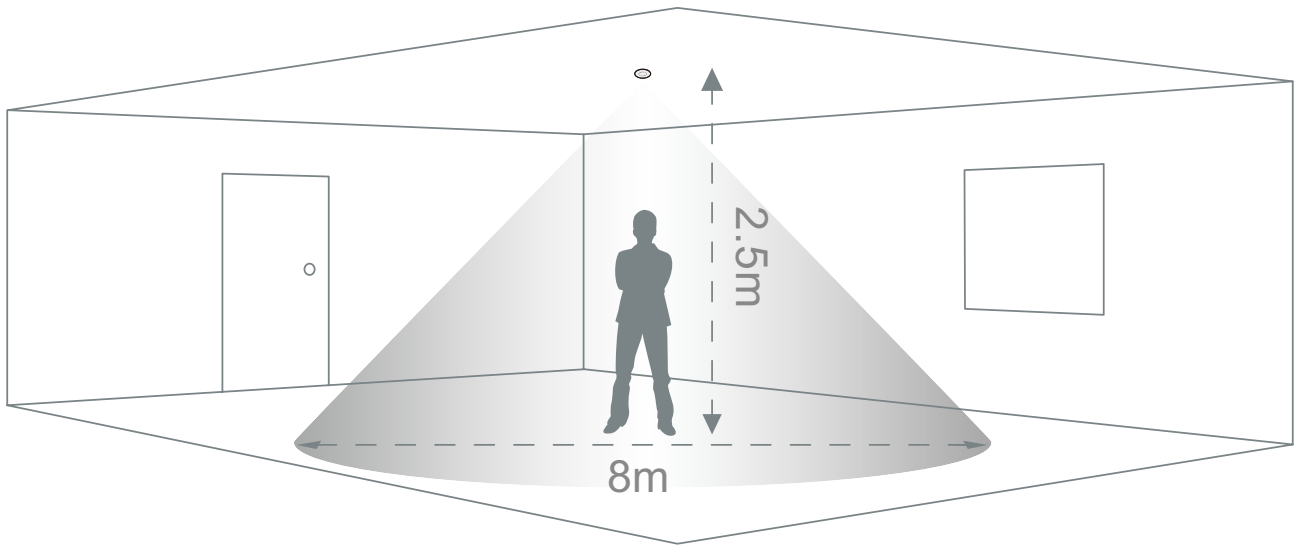
SENSING

- Testing height: 2.5m
- Detection area diameter: 8m @ 2.5m height

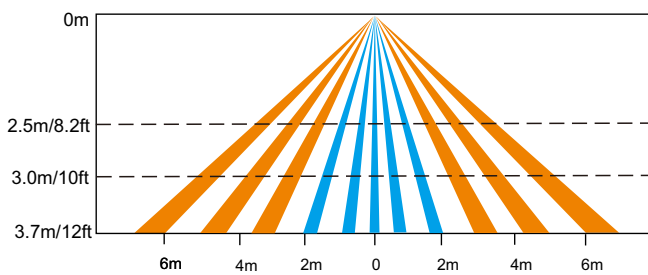
ENVIRONMENT AND APPROBATION

- Operating temperature: 0°C to 45°C
- Agency approbations: UL Listed /FCC/ RoHS/ BQB...
- Warranty: 5 years

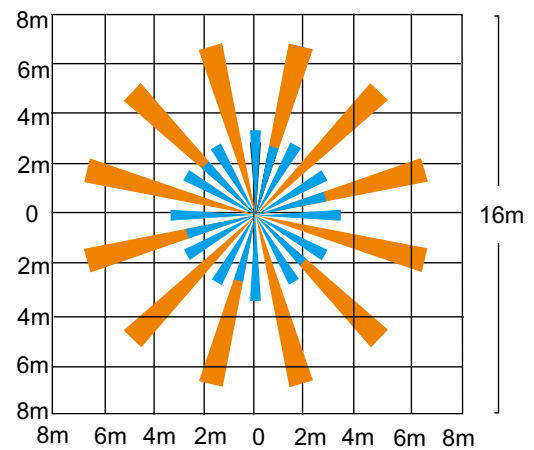
Detection Pattern



Coverage Side View



Coverage Top View



The detection area for movement sensor can be roughly divided into two parts:

- Slow movement (person moving < 1.0'/s or 0.3m/s)
- Quick movement (person moving > 1.3'/s or 0.4m/s)

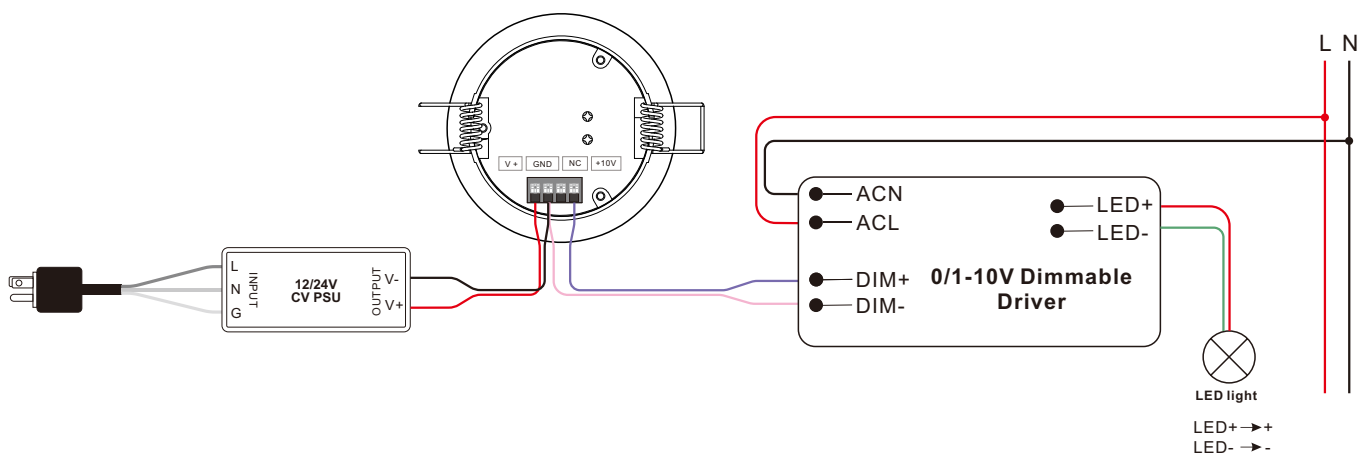
Warning

- DO NOT install with power applied to device
- DO NOT expose the device to moisture

Operation

- Do wiring according to connection diagram
- Kindly refer to **Silvair commissioning User Manual** for further pairing
- Press and hold down the “Reset” button on the controller over 5 seconds until the indicator flashes , which means it has been reset .
- Available with Magnetic reset (Touch the top part of sensor for 5 seconds)

Wiring



Statement

FCC STATEMENT

This equipment has been tested and found to comply with the limits for a Class B digital device, pursuant to Part 15 of the FCC Rules. These limits are designed to provide reasonable protection against harmful interference in a residential installation. This equipment generates uses and can radiate radio frequency energy and, if not installed and used in accordance with the instructions, may cause harmful interference to radio communications. However, there is no guarantee that interference will not occur in a particular installation. If this equipment does cause harmful interference to radio or television reception, which can be determined by turning the equipment off and on, the user is encouraged to try to correct the interference by one or more of the following measures:

- Reorient or relocate the receiving antenna.
- Increase the separation between the equipment and receiver.
- Connect the equipment into an outlet on a circuit different from that to which the receiver is connected.
- Consult the dealer or an experienced radio/TV technician for help.

This device complies with part 15 of the FCC Rules. Operation is subject to the following two conditions: (1) This device may not cause harmful interference, and (2) this device must accept any interference received, including interference that may cause undesired operation. Changes or modifications not expressly approved by the party responsible for compliance could void the user's authority to operate the equipment.

IC STATEMENT

This device complies with Industry Canada's licence-exempt RSSs. Operation is subject to the following two conditions:

- (1) This device may not cause interference; and
- (2) This device must accept any interference, including interference that may cause undesired operation of the device.

Le présent appareil est conforme aux CNR d'Industrie Canada applicables aux appareils radio exempts de licence. L'exploitation est autorisée aux deux conditions suivantes :

- (1) l'appareil ne doit pas produire de brouillage, et
- (2) l'utilisateur de l'appareil doit accepter tout brouillage radioélectrique subi, même si le brouillage est susceptible d'en compromettre le fonctionnement.

Update log

Date	Version	Update content	Update by
2022-11-12	V1.5	FCC/IC Update	Romeo

Subject to change without notice. Please contact us if you have any question.