



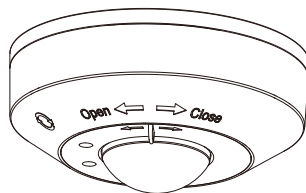
# INGY to DALI Ceiling Mounted AC PIR Sensor With 10A Relay

## SR-IG9030B-PIR-10AD

\*Support the ELT Function (Need to work with DALI EL Driver)

### Features

- INGY to DALI sensor controller
- Wirepas® mesh network
- Mesh network, which has a much longer control distance, transmits received signals to neighboring devices
- Supporting our kinetic energy switches and EnOcean switches EWSSB and EWSDB
- Autonomos sensor-based control
- Support sensitivity adjustment, Mesh Network, a better method to deal with false trigger
- Available with Magnetic reset (touch reset icon for 5 seconds)
- On-board antenna
- Waterproof grade: IP20, suitable for indoor luminaries
- 5 years warranty



### Parameters

Input & Output Characteristics	
Operating voltage	100-277VAC 50/60Hz
Stand-by power	<0.5W
Relay	Resistive: Max. 10A @ 120-277VAC Capacitive: Max. 8A @ 120-277VAC Inductive: Max. 7A @ 120-277VAC
DALI	Max.80mA DALI BUS Output

Safety & EMC	
EMC standard (EMC)	EN55015, EN61000, EN61547
Safety standard (LVD)	EN60669-1, EN60669-2-1 AS/NZS60669-1/-2-1
RED	EN300328, EN301489-1/-17
Certication	ENEC, CE, RED, UL

Environment Parameters	
Operation temperature	Ta: -10°C ~ +50°C
IP rating	IP20

Sensing	
Movement detection (LB)	Max.φ10-12m @ 3m height
Installation (LB)	2-6m, Max.6m
Movement detection (HB)	Max.φ26m @ 12m height
Installation (HB)	Max.12m

Mechanical Data	
Dimension	See below
Material	Flame-retardant/ABS
Protection Class	Class II

Connectors	
Terminal block/Wire size	AC Line: 18 AWG Signal Line: 22 AWG
Wire strip length	10mm

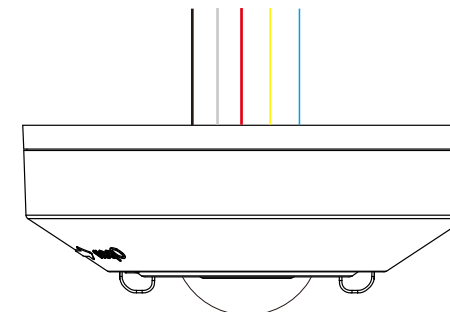
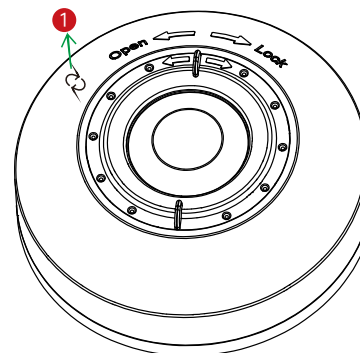
### Product info

- 1 Reset icon: Please using magnetic to reset the devices (hold for 5 seconds)

#### Cable Wiring:

L (Input) : Black, 18 AWG ; N (Input) : White, 18 AWG  
L'(Output) : Red, 18 AWG

DALI+ (Output) : Yellow, 22 AWG DALI- (Output) : Blue, 22 AWG



### Package info

- 1x **Sensor with Low-bay lens** ( Default)
- 1x **High-bay lens** ( Free to switch when project required)
- 1x **PIR Lens cover** ( Adjust its detection pattern when various application required)
- 1x **A set of screws** ( Installation required)

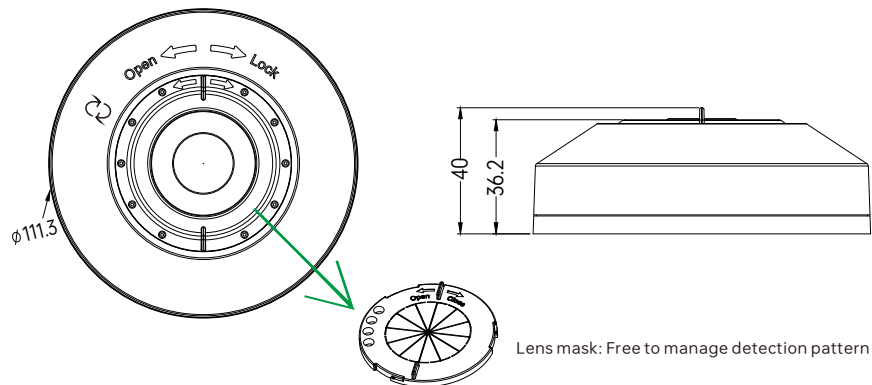




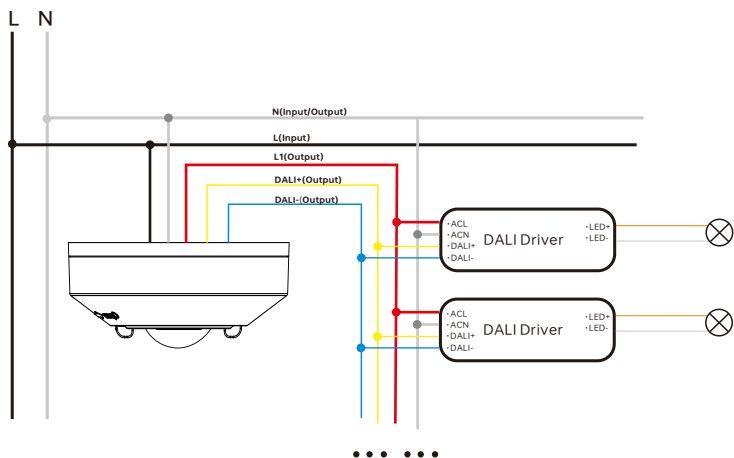
**INGY to DALI Ceiling Mounted AC PIR Sensor With 10A Relay**  
SR-IG9030B-PIR-10AD



### Dimension



### Wiring



Note: Built-in 80mA DALI BUS output enables to have Min.40pcs DALI Control gears.

### Warning

- DO NOT install with power applied to device.
- DO NOT expose the device to moisture.

### Application

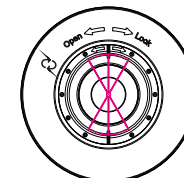
**1.** Power up the sensor. The load should come on immediately.

**2.** Vacate the room or remain very still and wait for the load to switch off .

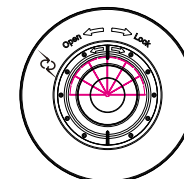
**3.** Enter the room or make some movement and check that the load switches on.

**PRECAUTIONS**

- Do not place the SENSOR near heat sources, fans or in ventilated ceiling voids.
- Do not place close to, or positioned such that, any light source points directly into the SENSOR.
- Ensure wires and cables are securely held within the connection terminals.
- Disconnect the SENSOR from the circuit before performing insulation testing of the wiring circuit.



Aisle/Corridor application:  
Split the lens cover into aisle type.



Semi-sphere application:  
Split the lens cover into Semi-circle type.

### Specification

#### ENERGY SAVINGS

- Daylight harvesting
- Occupancy/Vacancy detection

#### COMFORT & CONVENIENCE

- Advanced occupancy detections
- Personalized setting profile
- Work with kinetic switch keypad



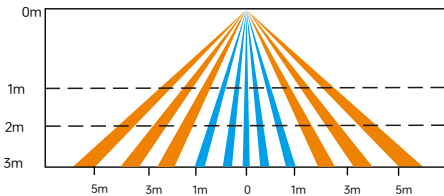
**INGY to DALI Ceiling Mounted AC PIR Sensor With 10A Relay**  
SR-IG9030B-PIR-10AD



## Detection Pattern

**With low-bay lens - Cone angle (127°)**

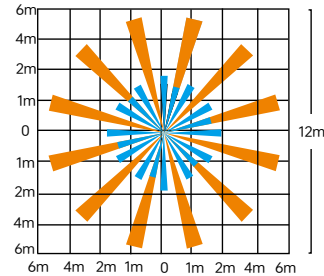
**Coverage Side View**



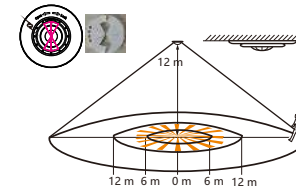
The detection area for movement sensor can be roughly divided into two parts:

- Slow movement (person moving < 1.0/s or 0.3m/s)
- Quick movement (person moving > 1.3/s or 0.4m/s)

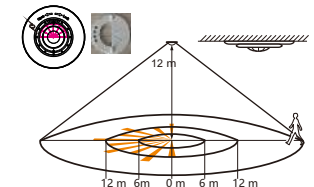
**Coverage Top View**



**Default sensitivity: 80% (φ9m at 3m height)**



With Corridor Lens Mask:  
φ6-9m at 12m height

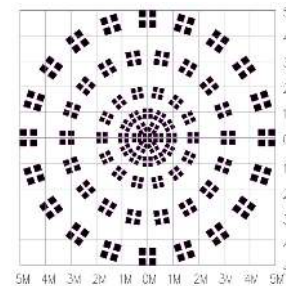


With Semi-Circular Mask:  
Half-detection pattern

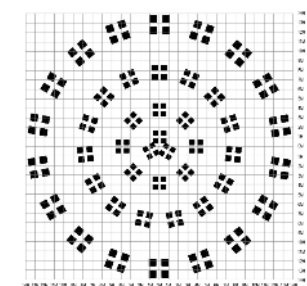
## Detection Area

Note:

- 1) Following different detection areas are based on different installation heights & patterns.
- 2) Detection Pattern is a relevant value, the performance should depend on the site conditions (installation height/ temperature/ sunlight/ humidity/ blind area...etc)



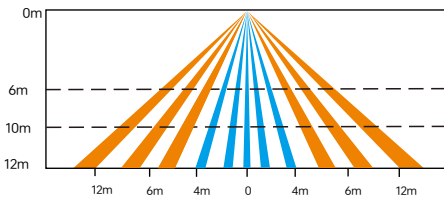
Low-bay lens detection pattern at 3m



High-bay lens detection pattern at 12m

**With high-bay lens - Cone angle (98°)**

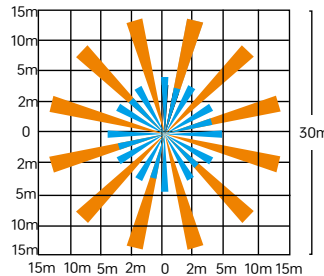
**Coverage Side View**



The detection area for movement sensor can be roughly divided into two parts:

- Slow movement (person moving < 1.0/s or 0.3m/s)
- Quick movement (person moving > 1.3/s or 0.4m/s)

**Coverage Top View**



**Default sensitivity: 80% (φ23m at 12m height)**

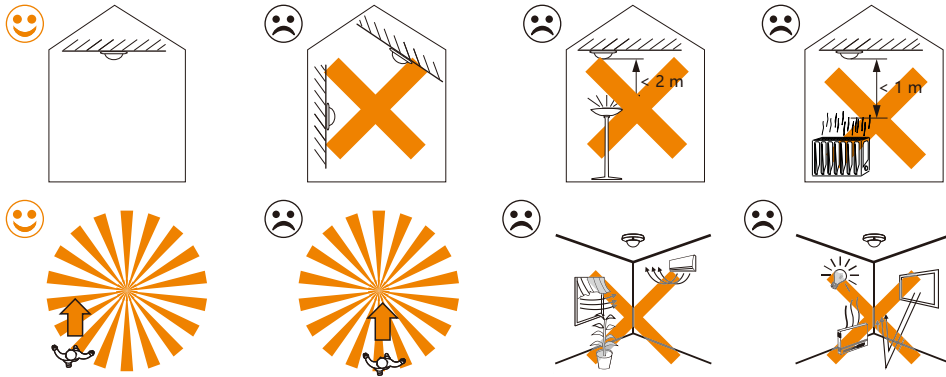
**\* This product comes with a pre-mounted low-bay lens (default) and an extra free high-bay lens. Install the lens that best fits your detection needs.**



# INGY to DALI Ceiling Mounted AC PIR Sensor With 10A Relay

SR-IG9030B-PIR-10AD

## Place/Detection instruction



## Installation Precautions

- Avoid areas with frequent temperature changes: Keep away from air conditioners, fans, refrigerators, ovens, and other objects that cause rapid temperature changes. The detection effectiveness of PIR motion sensors is closely related to temperature fluctuations, and vents or heat sources can lead to false alarms.
- Avoid areas with significant air flow.
- Avoid facing glass doors and windows directly: 1) Do not face glass doors and windows directly to avoid interference from strong light. 2) Avoid complex environments outside doors and windows, such as direct sunlight, crowds, and moving vehicles.
- Avoid installing opposite large, constantly moving objects: Large objects with significant motion can cause sudden changes in airflow within the detection area, leading to false alarms. Outdoor PIR motion sensors should not be installed opposite large trees or tall bushes.
- Avoid areas with screens, furniture, large potted plants, or other obstacles within the detection range.
- Avoid areas exposed to direct sunlight.

## Update Log

Date	Version	Update Content	Update by
2025-11-17	V1.0	Initial Version	Romeo



Subject to change without notice. Please contact us if you have any questions.