

4 in 1 Universal 2.4G Mesh LED Controller

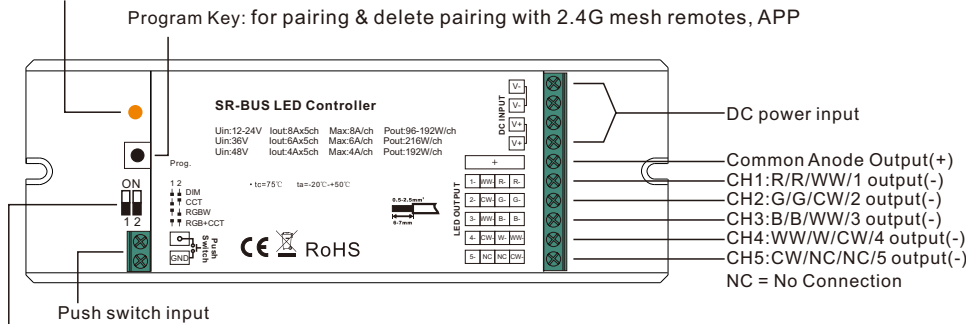
70200051



Important: Read All Instructions Prior to Installation

Function introduction

LED indicator, normally stays on, flashes when receives control signal



Dial switch for device mode selection, DIM, CCT, RGBW and RGB+CCT 4 modes are available, factory default is RGB+CCT mode

Product Data

Input Voltage	Output Current	Output Power	Connector Current Rating	Wire Size	Remarks	Size(LxWxH)	Ambient Temperature	Max. Casing Temperature
12-48VDC	Max. 8A/CH@12V/24V Max. 6A/CH@36V Max. 4A/CH@48V	Max. 96W/CH@12V Max. 192W/CH@24V Max. 216W/CH@36V Max. 192W/CH@48V	Max. 20A	0.05-3.3mm ² (12-30AWG)	Constant voltage	170x59x29mm	-20°C ~ +50°C	75°C

- 4 in 1 universal 2.4G mesh LED controller, radio frequency: 2.4GHz
- 4 different device modes DIM, CCT, RGBW and RGB+CCT in 1 controller, and selectable by dial switch
- Enables to control ON/OFF, light intensity, color temperature, RGB color of connected LED lights
- Ultra powerful to control Single Color, CCT, RGBW, RGB+CCT LED strips
- Controlled through both smart App and remote controls, no gateway required
- Can be configured as six different light types: RGB+CCT, RGBW, RGB, CCT, DIM, ON/OFF through the APP
- Easy & quick pairing to the smart App by simply pushing the Prog. button
- Mesh network, much longer control distance, transmits received signal to neighbor devices
- Up to 30m transmission distance between every two neighbor devices
- Encrypted two-way communication, quick status feedback, safe & reliable data transmission
- Compatible with universal 2.4G mesh remotes, each LED controller can pair to max. 8 remotes
- Cloud control is available for remote access, works with Amazon Alexa and Google Home
- Can be controlled by existing push switches even if without 2.4G mesh signal
- Waterproof grade: Ip20

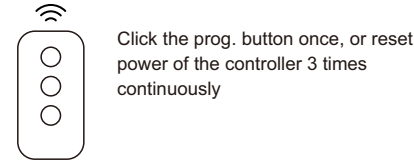
Safety & Warnings

- DO NOT install with power applied to device.
- DO NOT operate the dial switches for device mode selection with power applied to device.
- DO NOT expose the device to moisture.

Operation

Do wiring according to connection diagram.

Set LED controller into pairing with 2.4G mesh remote mode



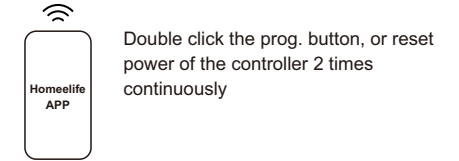
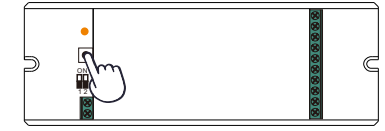
Click the prog. button once, or reset power of the controller 3 times continuously

Reset the LED Controller to factory setting



Press and hold down the "Prog." button on the controller for over 3 seconds (or reset power of the device 8 times continuously), the connected light flashes, which means well reset

Set LED controller into pairing with HomeLife APP



Double click the prog. button, or reset power of the controller 2 times continuously

Download and Install App

Download "HomeLife" app from App Store or Google Play or scan the QR codes below. Follow the direction in the app to connect your devices properly.



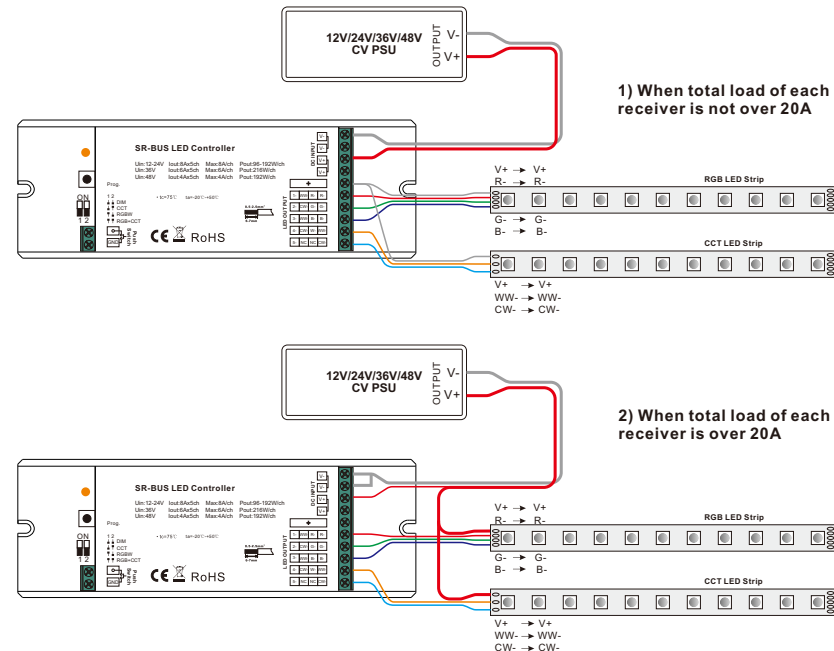
IOS QR Code



Android QR Code

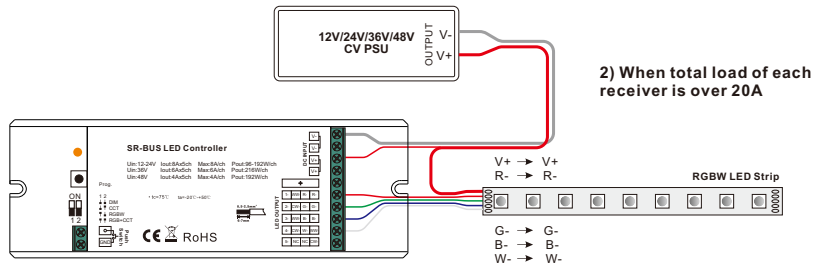
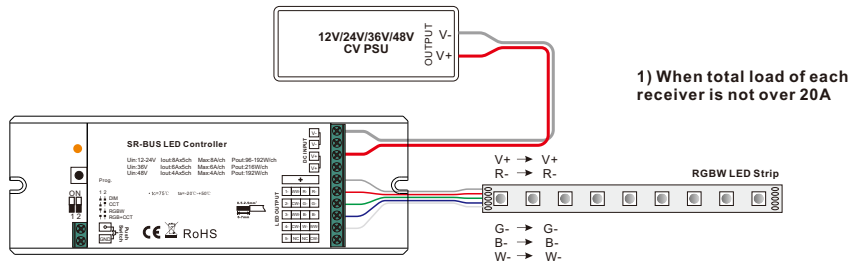
Wiring Diagram

RGB+CCT Mode



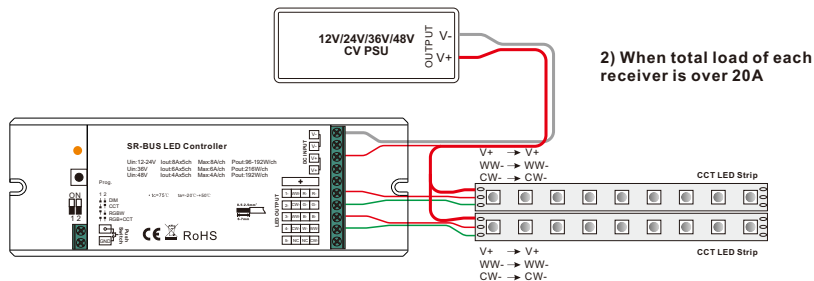
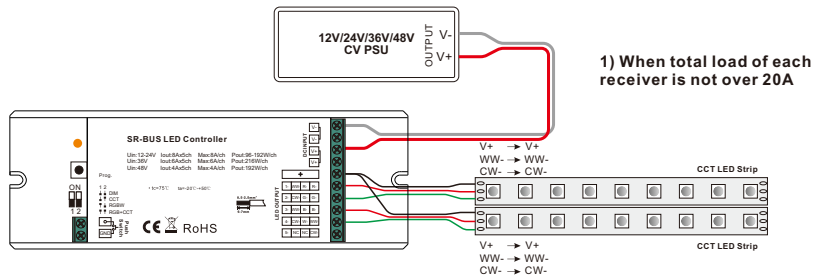
Note: please make sure the dial switches are at position for RGB+CCT mode as shown in above diagram.

RGBW Mode



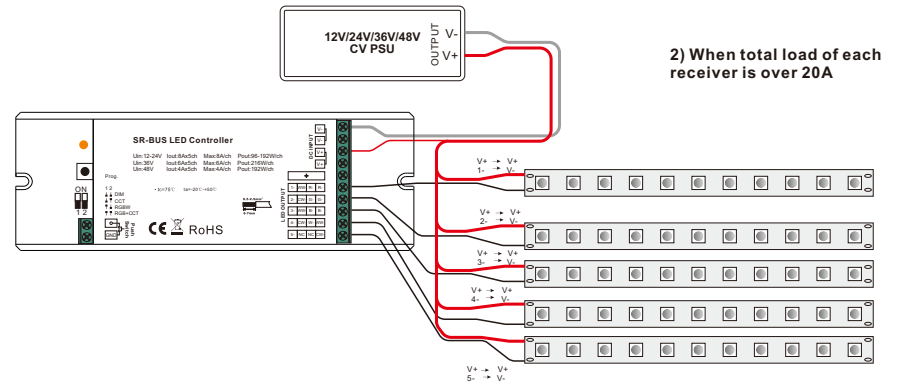
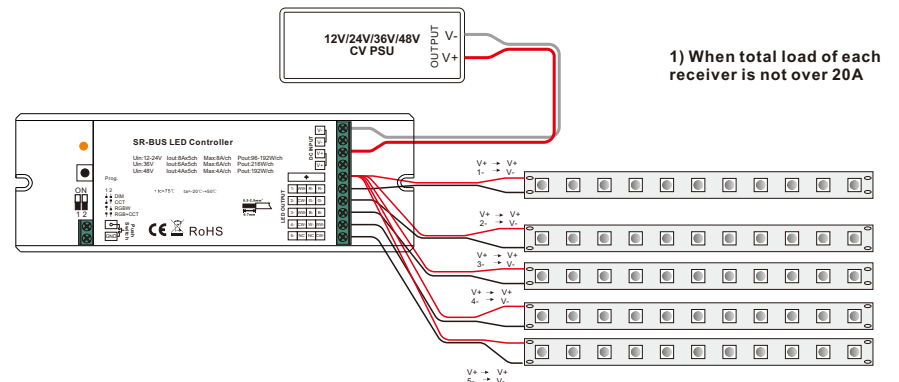
Note: please make sure the dial switches are at position for RGBW mode as shown in above diagram.

CCT Mode



Note: please make sure the dial switches are at position for CCT mode as shown in above diagram.

DIM Mode



Note: please make sure the dial switches are at position for DIM mode as shown in above diagram.

PUSH DIM:

While connected with a push switch, click the button to switch ON/OFF lights. Press and hold down the button to increase/decrease light intensity.

Product Dimension

