

GRAVITY 756

USER MANUAL

www.sunslice-solar.com

Table of contents

INTRODUCTION	2
PRODUCT OVERVIEW	2
SPECIFICATIONS	3
KEY FEATURES	3
HOW TO USE THE SWITCHS	3
CHARGE THE GRAVITY : 2 WAYS	4
TYPES OF OUTPUT	4
LCD SCREEN DESCRIPTION	5
FAULT INDICATORS ON THE LCD SCREEN	5
OUR WARRANTIES	6
PRECAUTIONS	6
THE WATERPROOF SOLUTION	7

[Click to go to the desired page](#)

INTRODUCTION

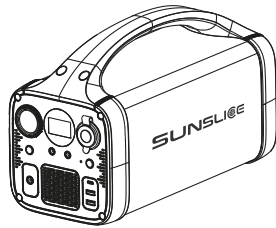
Thank you very much for purchasing our product. In order to help you to use it faster, here we have prepared a complete reference guide. It describes the operating modes, precautions and configurations. Please read the instructions carefully before using.

The Gravity 756 is a very high capacity portable generator, capable of providing high AC power and DC power for all your devices. The solar power generator can be recharged via wall outlet (the charger is provided) or via solar panels.

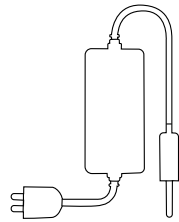
We recommend using the adequate Sunslite Fusion 150W solar panels to charge your Gravity 756 quickly and efficiently.

Geoffroy & Henri

IN THE BOX



Gravity 756



AC/DC Adapter

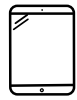
COMPATIBLE WITH



LAPTOP



SMARTPHONE



TABLET



GoPro



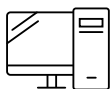
CAMERA



DRONE



TV



DESKTOP PC



FRIDGE



TABLE LAMP

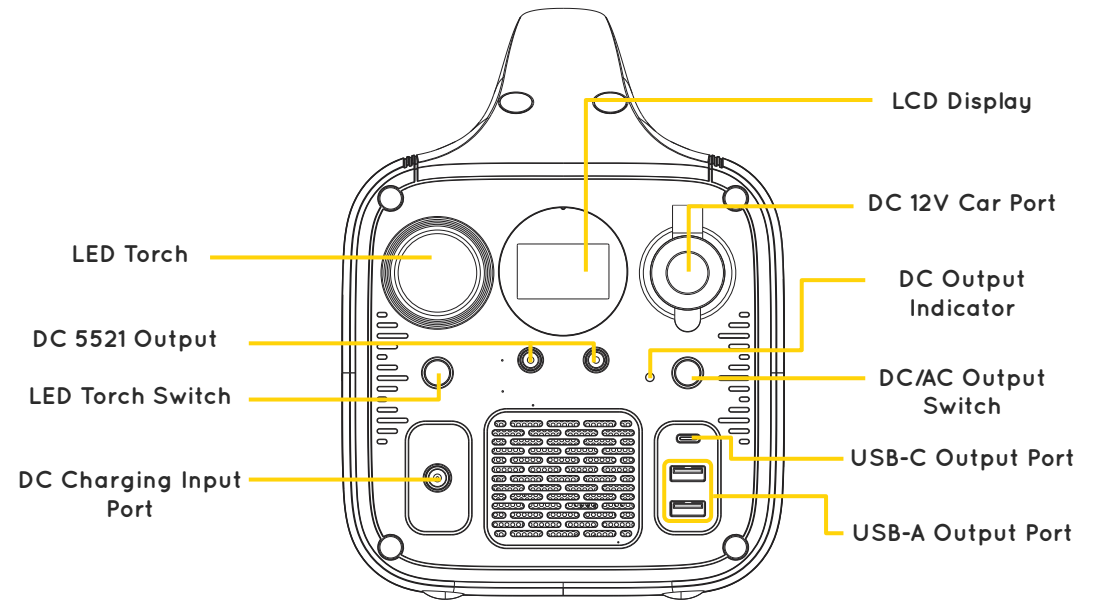


ELECTRIC BIKE

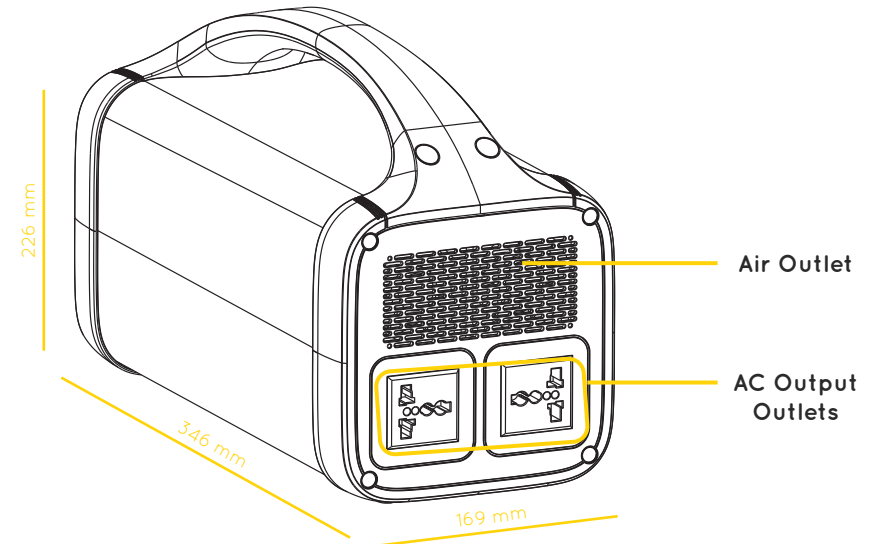


ELECTRIC DRILL

PRODUCT OVERVIEW



Weight : 8,6 kg



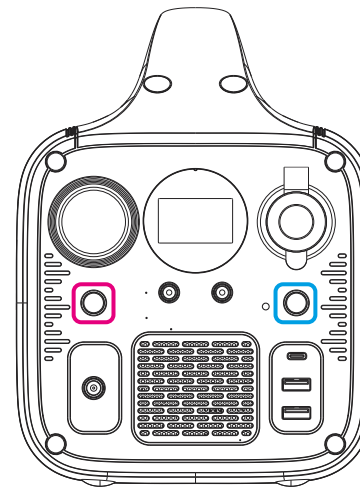
SPECIFICATIONS

CAPACITY	756Wh / 204300 mAh - 3.7V
AC OUTPUT 1600W MAX	<u>Universal AC Outlet</u> : 2x 1000W (220V) <u>Peak Power</u> : 1600W <u>Pure Sine Wave</u> : 50Hz
DC OUTPUT	<u>2 x USB-A QC3.0 (18W)</u> : 5V/3A, 9V/2A, 12V/1.5A <u>1 x USB-C PD (45W)</u> : 5V/3A, 9V/2A, 15V/3A, 20V/3A <u>2 x DC 5521</u> : 12V/3A <u>1 x Cigarette Lighter</u> : 12V/8A
AC INPUT	<u>1 x DC6530 (AC/DC)</u> : 116W
SOLAR PANEL INPUT	<u>1 x DC6530</u> : 27-42V/5A , 210W
BATTERY TYPE	Lithium Ion
WEIGHT	8.6kg
DIMENSIONS	346 x 169 x 226 mm
CHARGING STATUS	LCD Screen
IN THE PLANE	Not Allowed
WORKING TEMPERATURE	0~40°C
STORAGE TEMP	-20°C ~40°C

KEY FEATURES

- 756 Wh / 204'300 mAh (3.7V)
- USB-C PD OUTPUT 45W
- 2 x USB-A QUALCOMM 3.0
- CHARGES MANY POWERFUL DEVICES
- HIGH SOLAR INPUT
- STRONG LED Light
- ROBUST DESIGN
- EASY TO CARRY

HOW TO USE THE SWITCHS



Torch Switch Button

- Press 0.5s to turn the Led torch
- Press 0.5s again for stronger brightness
- Press 0.5s again for turn it off

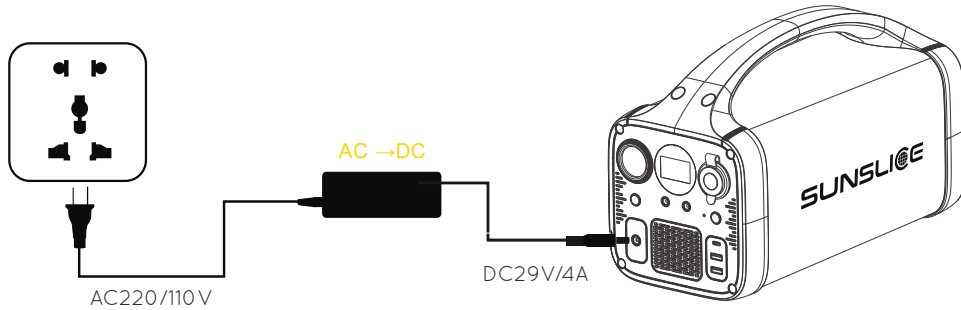
AC/DC Switch Button

- 1 Press 0,5s, the DC output indicator will light up and **DC output** is standby
Press 0,5s again, the DC indicator will light off and **DC output** is turn off
- 2 Press 3s, the OUT icon in LCD display will light up and **AC output** is standby
Press 3s again, the DC indicator will light off and **AC output** is turn off

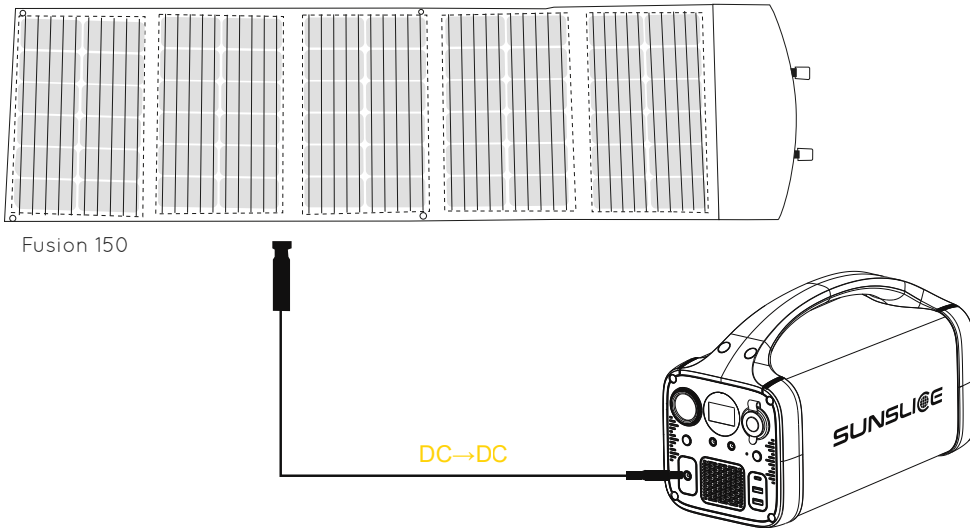
CHARGE THE GRAVITY : 2 WAYS

STANDARD AC ADAPTER

AC220V/110V via included adaptor



SOLAR PANELS



OPERATION CONDITIONS

- Operation environment: indoor & outdoor (non- waterproof)
- Operating temperature : 0 ~45°C
- Storage environment: -20 ~45°C

TYPES OF OUTPUT

Five types of AC and DC output :

DC 12 Cigarette lighter output port for car devices or used 12V as battery equipment



AC 220 V (110V) AC output outlets for desktop computers, electric fans, electric tools and other home appliances



USB-A QC3.0 port for smart phones, MP3 players, digital cameras, e-readers, tablet, ect



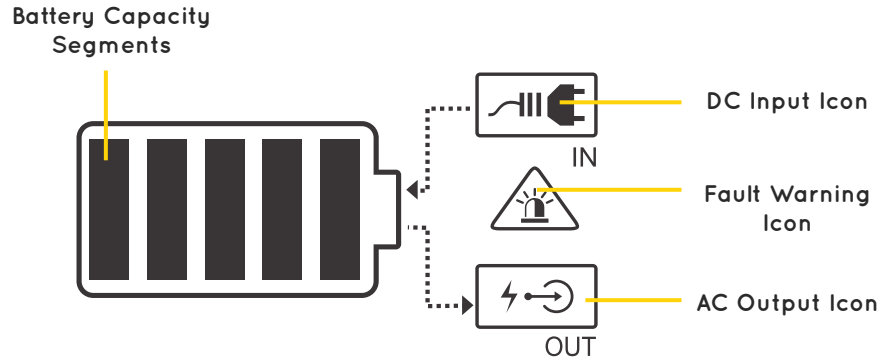
Type-C output port supports fast charging mobile phones, laptops and other devices



DC 5521 output port for routers or use 12V as battery equipment

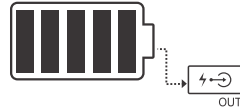


LCD SCREEN DESCRIPTION

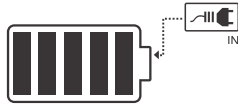


AS long as the product is charging, working or standby, the LCD display (screen) will light up:

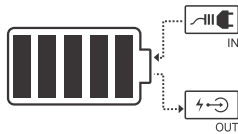
1. When AC output is standby or working



2. When the product is charged by included adaptor or solar panel



3. When the product is charged and discharged at the same time



4. When the LCD display flashes : look at next section:
« FAULT CASE ON THE LCD DISPLAY »

FAULT INDICATORS ON THE LCD SCREEN

ITEM	PHENOMENON IN LCD DISPLAY	FAULT CAUSE	RECOVERY
DC Output	DC output indicator flashes twice	DC 12V output over current	Restart
	DC output indicator flashes 3 times	USB over current	Restart
AC Output	OUT icon on screen flashes twice	AC overLoad	Restart
	OUT icon on screen flashes 5 times	AC over-temperature	Automatic
	OUT icon on screen flashes 6 times	Low AC output voltage	Restart
	OUT icon on screen flashes 8 times	AC short circuit	Restart
DC Charge	IN Icon on screen flashes twice	Input over-voltage	Automatic
	IN Icon on screen goes out	Low input voltage or none	Automatic
Battery	Warning icon on screen flashes twice	Charge over-temperature	Automatic
	Warning icon on screen flashes twice	Discharge over-temperature	Automatic
	Warning icon on screen flashes 4 times	Charge low temperature	Automatic
	Warning icon on screen flashes 5 times	Discharge low temperature	Automatic
	Warning icon on screen flashes 9 times (AC off)	Over load total power	Restart

OUR WARRANTIES

PREMIUM QUALITY

We select the finest materials to insure a high quality and durability for all of our products.

PROTECTION CIRCUIT

The Sunslice Gravity is equipped with a voltage stabilizing circuit to avoid damaging your devices.

2 YEARS WARRANTY

The Gravity has a 2 year warranty. In case something goes wrong, please contact us directly by email at :

service@sunslice-solar.com

Before contacting us, please have a look at our FAQ at :

www.sunslice-solar.com/apps/help-center

PRECAUTIONS

When using this product, you should follow the basic precautions, please read all instruction

- Please use our standard solar panels and adapters to charge the device, otherwise the device may not be charged normally. In severe cases, the lifespan will be reduced, and the device may be damaged due to short circuit.
- Do not damage or drop the product as it may damage the battery and internal circuit
- Must make sure that the connection is in good contact, and adapter work normally, otherwise, it may cause potential safety hazards.

- Please only use the attached adaptor to charge the product.
- If the Gravity does not charge your laptop or device, please read this user manual again. If the problem lasts, please contact us.
- Do not puncture, throw, drop, bend or modify your Sunslice Gravity.
- Do not leave the Sunslice Gravity **out in the rain, keep away from water**. Do not expose the Gravity to fire or excessive heat.
- Do not short-circuit the battery with lead or any metal objects.
- Keep the battery ports free from dust, lint, etc that may prevent proper connections.
- If the product is not used for a long time, please charge the battery to over 60% capacity, and recharge the battery within 6 months
- Do not use or place the Gravity near a fire or any other heat source (over 80°C)
- If regularly used with solar panels, it is good to charge the Gravity completely on the mains sometimes.
- Do not use excessive force when connecting or disconnecting cables to/from the Gravity.
- Stop using the Sunslice Gravity if it generates unusual smell, heating, distortion or any other abnormality.
- Keep away from children.

You are welcome on our website to learn more about our products.

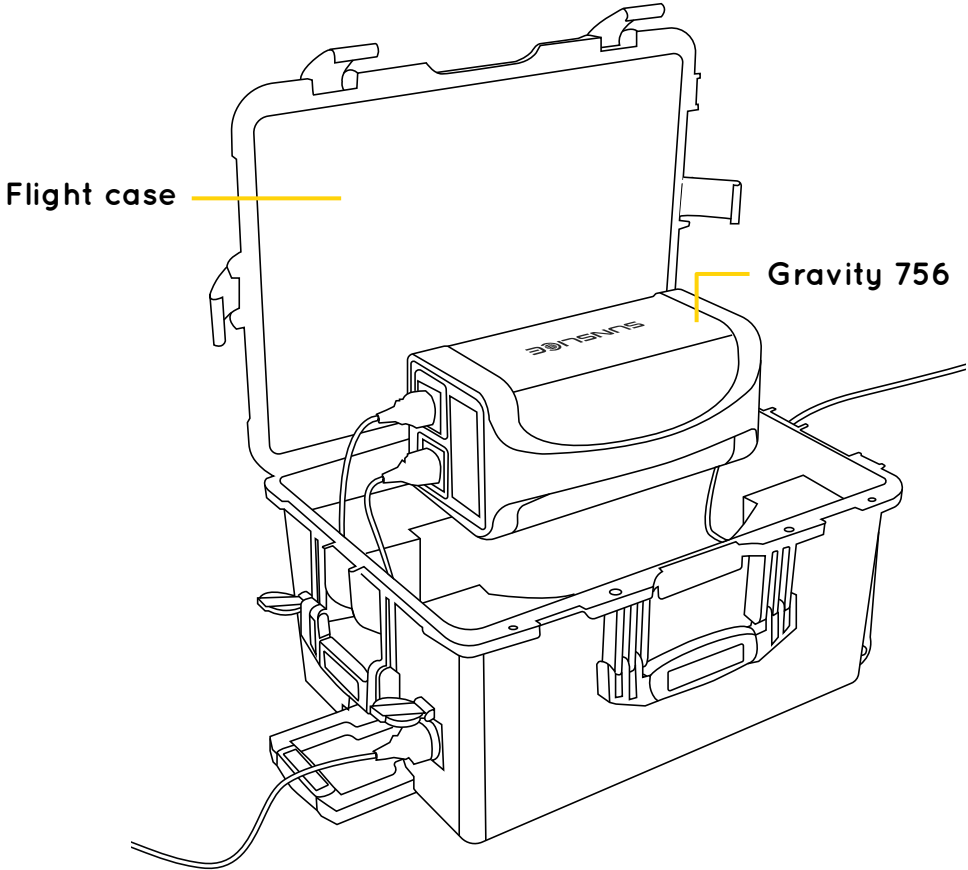
www.sunslice-solar.com

Sunslice SRL
Chemin du Cyclotron 6,
1348 Louvain-la-Neuve, Belgique



THE WATERPROOF SOLUTION

The Gravity 756 is a practical, easy-to-carry choice. However, this product is not waterproof. To protect it, we recommend our flight case, an all-terrain wheeled case that lets you use your Gravity 756 in all circumstances. No need to worry about the weather: this case is fully waterproof and dustproof. Here's a picture of our flight case.



To learn more about this product, click here:

[Solar Flight Case](#)
