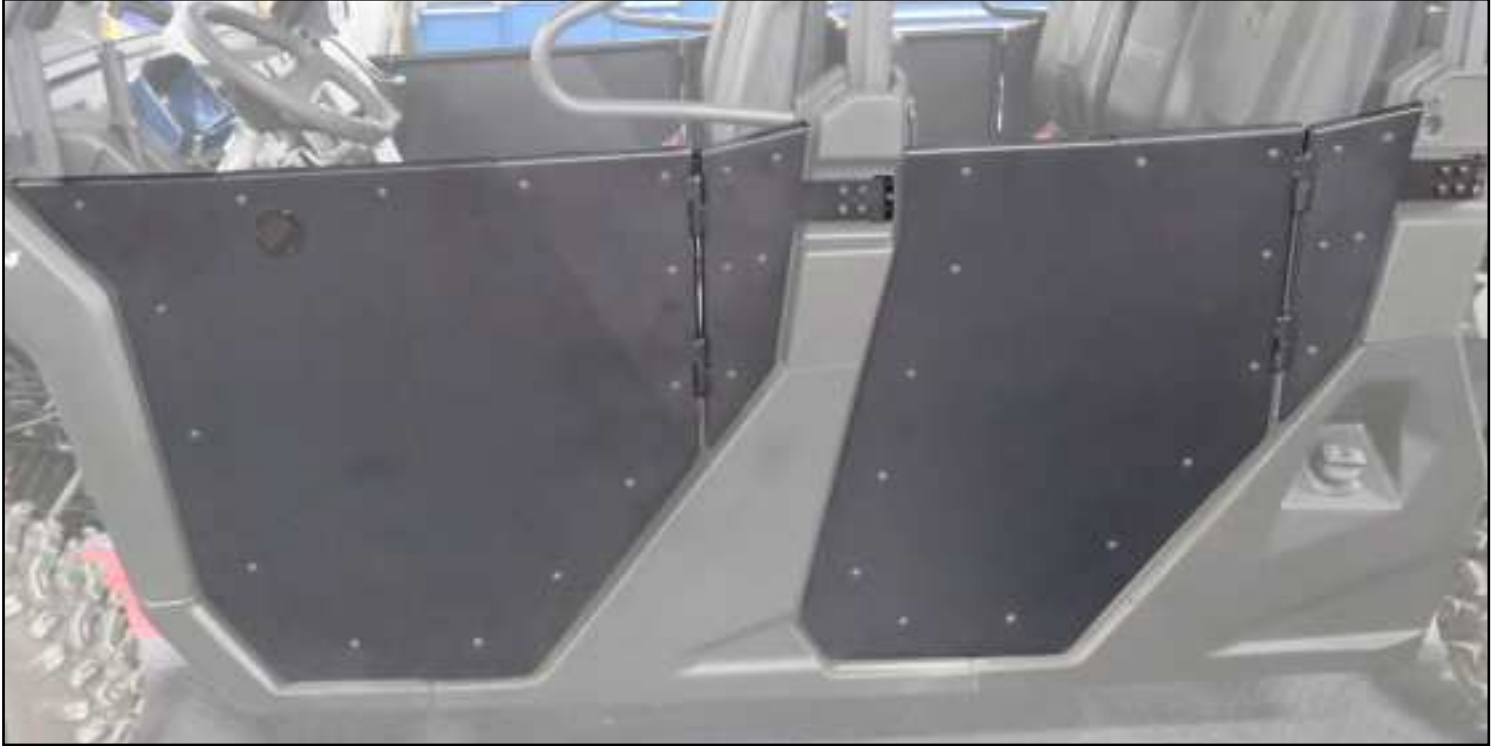


- Do not discard packaging until product has been successfully installed.



Liability Statement

SuperATV's[®] products are designed to best fit user's ATV/UTV under stock conditions. Adding, modifying, or fabricating any factory or aftermarket parts will void any warranty provided by SuperATV[®] and is not recommended. SuperATV's[®] products could interfere with other aftermarket accessories. If user has aftermarket products on machine, contact SuperATV[®] to verify that they will work together.

Although SuperATV[®] has thousands of satisfied customers, user should be aware that installing lift kits, long travel, or suspension kits, tires, etc. will change the ride of machine and may increase maintenance and part wear. Operating any off-road machine while, or after, consuming alcohol and/or drugs increases risk of bodily harm or death. No warranty or representation is made as to this product's ability to protect user from severe injury or death. SuperATV[®] urges operators and occupants to wear a helmet and appropriate riding gear at all times.

By purchasing and installing SuperATV[®] products, user agrees that should damages occur, SuperATV[®] will not be held responsible for loss of time, use, labor fees, replacement parts, or freight charges. SuperATV[®], nor any 3rd party, will not be held responsible for any direct, indirect, incidental, special, or consequential damages that result from any product purchased from SuperATV[®]. The total liability of seller to user for all damages, losses, and causes of action, if any, shall not exceed the total purchase price paid for the product that gave rise to the claim.

SuperATV[®] will warranty only parts provided by SuperATV[®]. Any damage or problems with OEM housings, bearings, seals, or other manufacturers' products will not be covered by SuperATV[®]. SuperATV[®] parts and products are not warranted if item was not installed properly, misused, or modified.

Installing, adding, modifying, or fabricating any factory or aftermarket product to your ATV/UTV may violate certain local, state, and federal laws. Be advised that laws vary depending on town, city, county, state, etc. Use of certain products on public streets, roads, or highways may be in violation law. The Buyer is solely and exclusively legally and personally responsible for any violation of the law by the installation or use of the product. You must abide by all local, state, and federal laws, including but not limited to vehicle safety, traffic laws, and ordinances. It is your responsibility to know the laws and how they apply to you.

The Buyer is responsible to fully understand the capability and limitations of his/her vehicle according to manufacturer specifications, warnings and instructions and agrees to hold SuperATV[®] harmless from any damage resulting from failure to adhere to such specifications, warnings and/ or instructions. The Buyer is also responsible to obey all applicable federal, state, and local laws and ordinances when operating his/her vehicle while using this product, and the Buyer agrees to hold SuperATV[®] harmless from any violation thereof.

Need help with your installation?



sales@superatv.com



www.superatv.com



1-855-743-3427



8:00am - 8:00pm EST M-Th
8:00am - 7:00pm EST Friday
9:00am - 2:00pm EST Saturday

Read instructions and view illustrations before beginning.

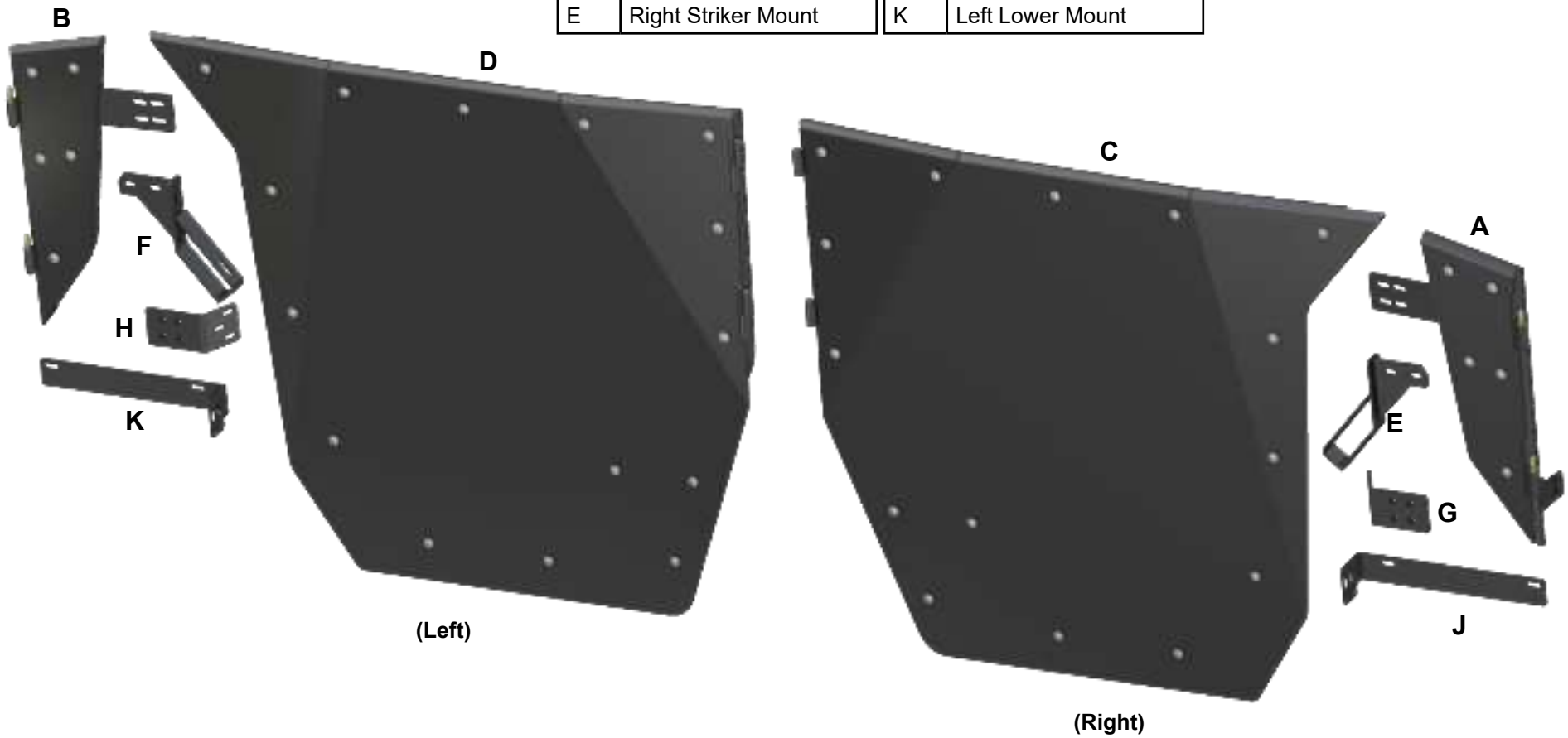
Thank You

For Choosing

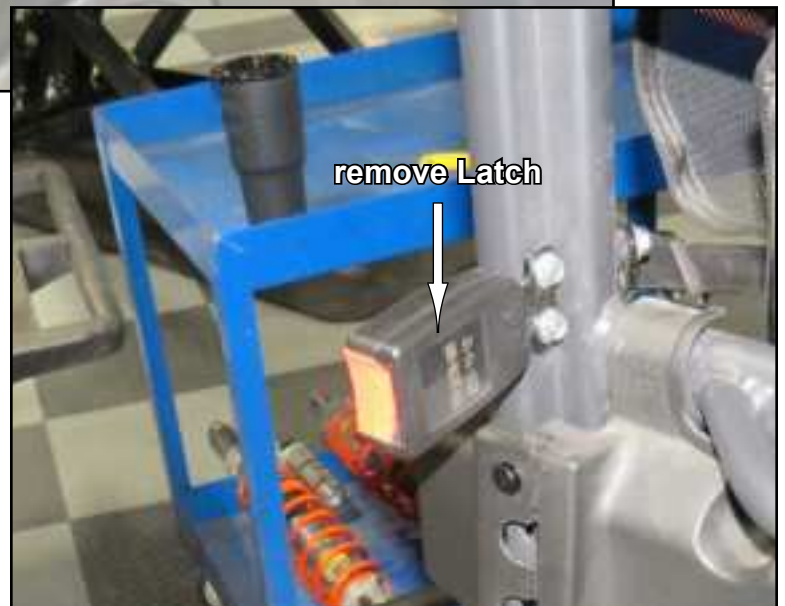


Front

Item	Description	Item	Description
A	Right Filler Plate	F	Left Striker Mount
B	Left Filler Plate	G	Right Frame Mount
C	Right Door	H	Left Frame Mount
D	Left Door	J	Right Lower Mount
E	Right Striker Mount	K	Left Lower Mount



remove components / hardware shown; do not discard



remove components / hardware shown; do not discard



remove components / hardware shown; do not discard



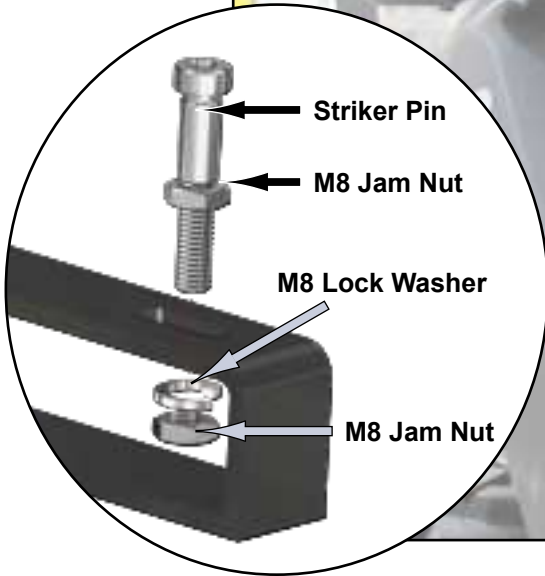
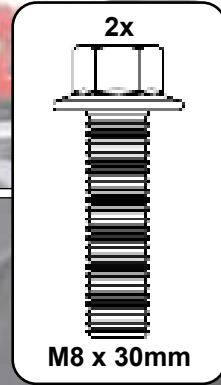
remove components / hardware shown; do not discard



do not tighten hardware completely unless noted (driver side installation shown)

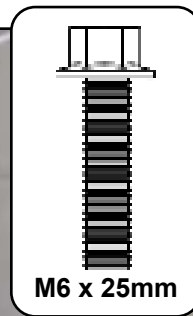


Install Left Striker Mount (F) to Frame with hardware shown



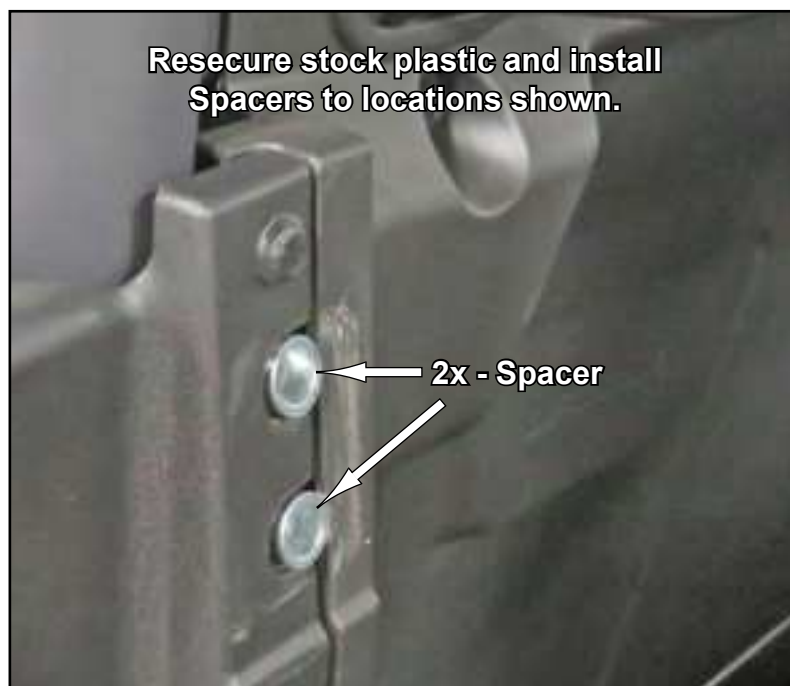
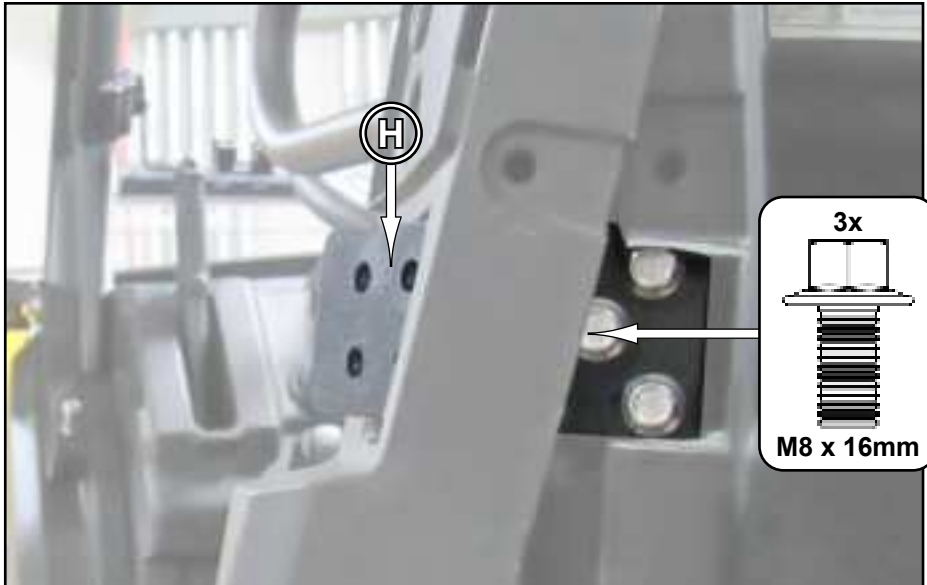
F

Install Door Stop to Floor with hardware shown



Door Stop

- Install Left Frame Mount (H) with hardware shown.
- Reinstall Cover.



Secure Left Door (D) to Left Frame Mount (H) with hardware shown.



Secure Left Door (D) to Left Lower Mount (K) with hardware shown.



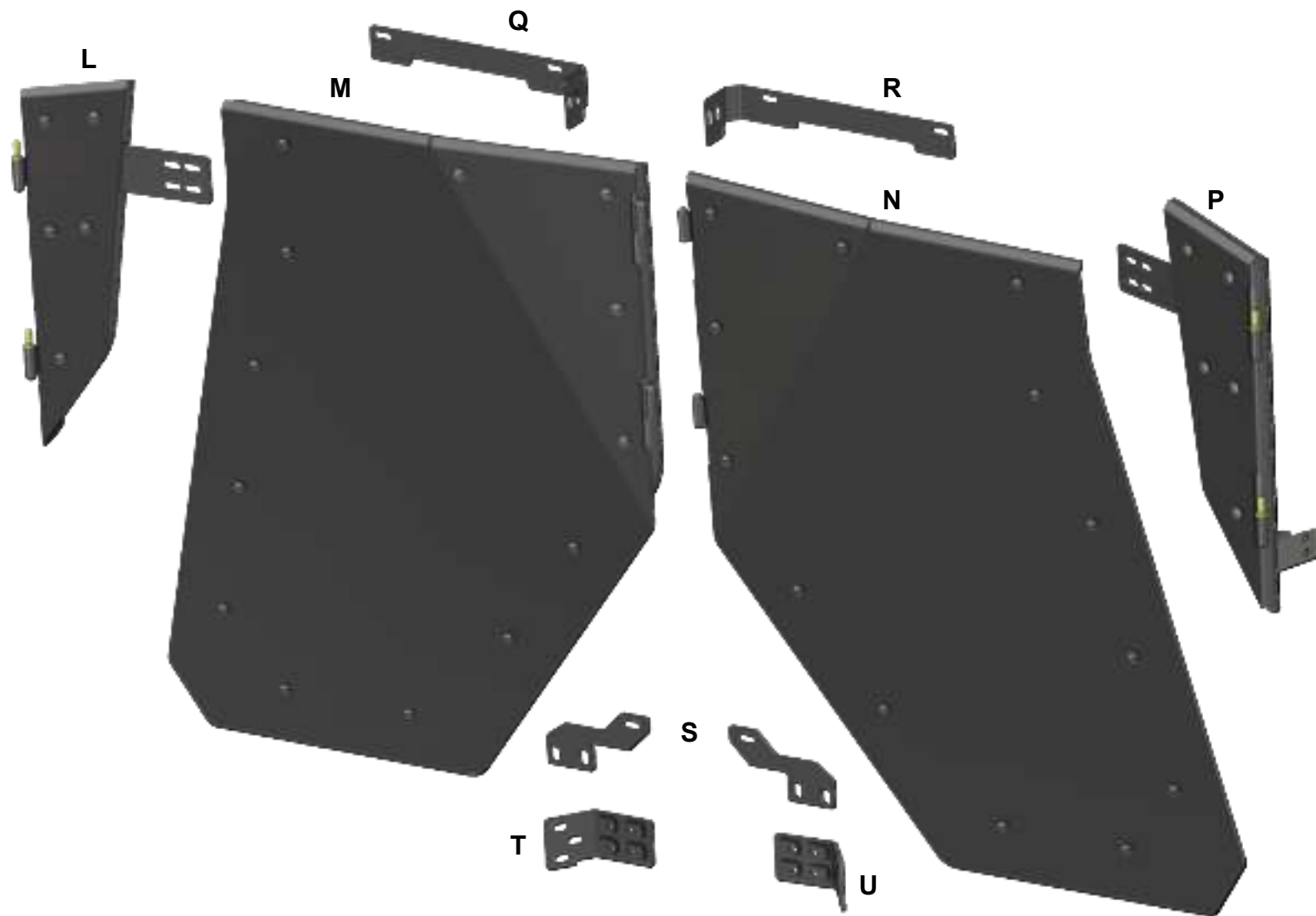


Align Door to machine and tighten all hardware completely.



Rear

Item	Description	Item	Description
L	Left Rear Filler Plate	R	Right Rear Lower Mount
M	Left Rear Door	S	Striker Mount x 2
N	Right Rear Door	T	Left Rear Frame Mount
P	Right Rear Filler Plate	U	Right Rear Lower Mount
Q	Left Rear Lower Mount		



Raise Cargo Bed.

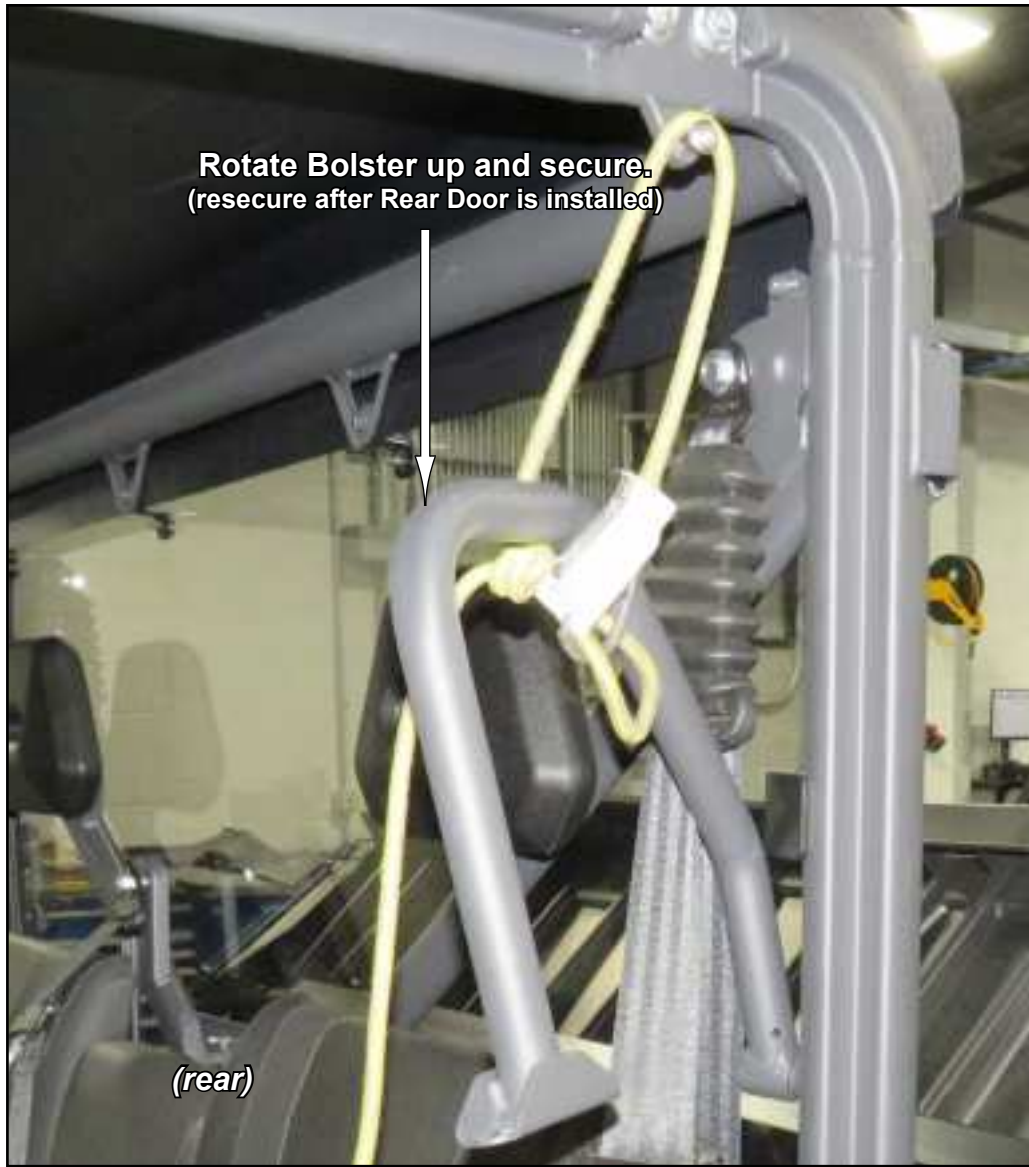
Rear Doors

- Install Left Rear Frame Mount (T) with hardware shown.

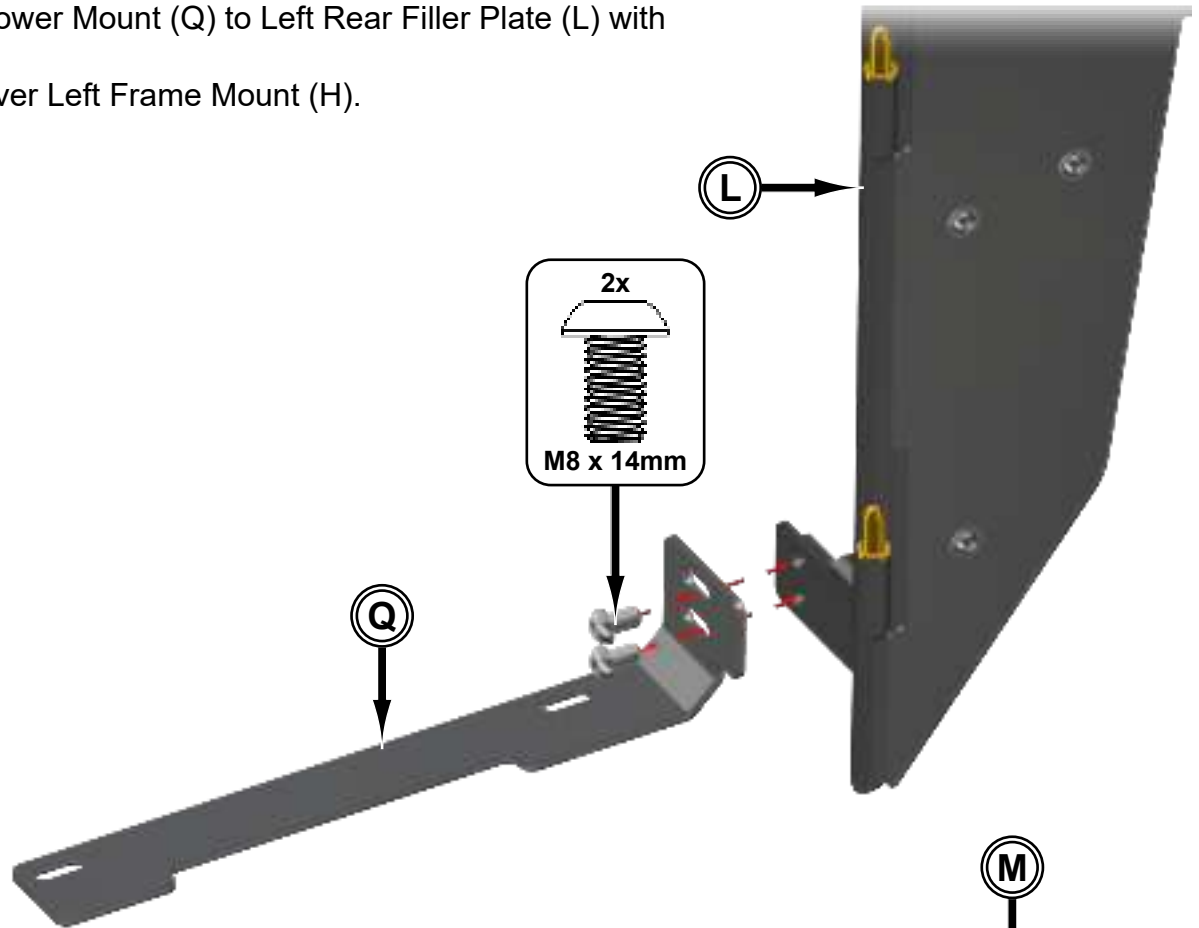


- Reinstall stock plastic.

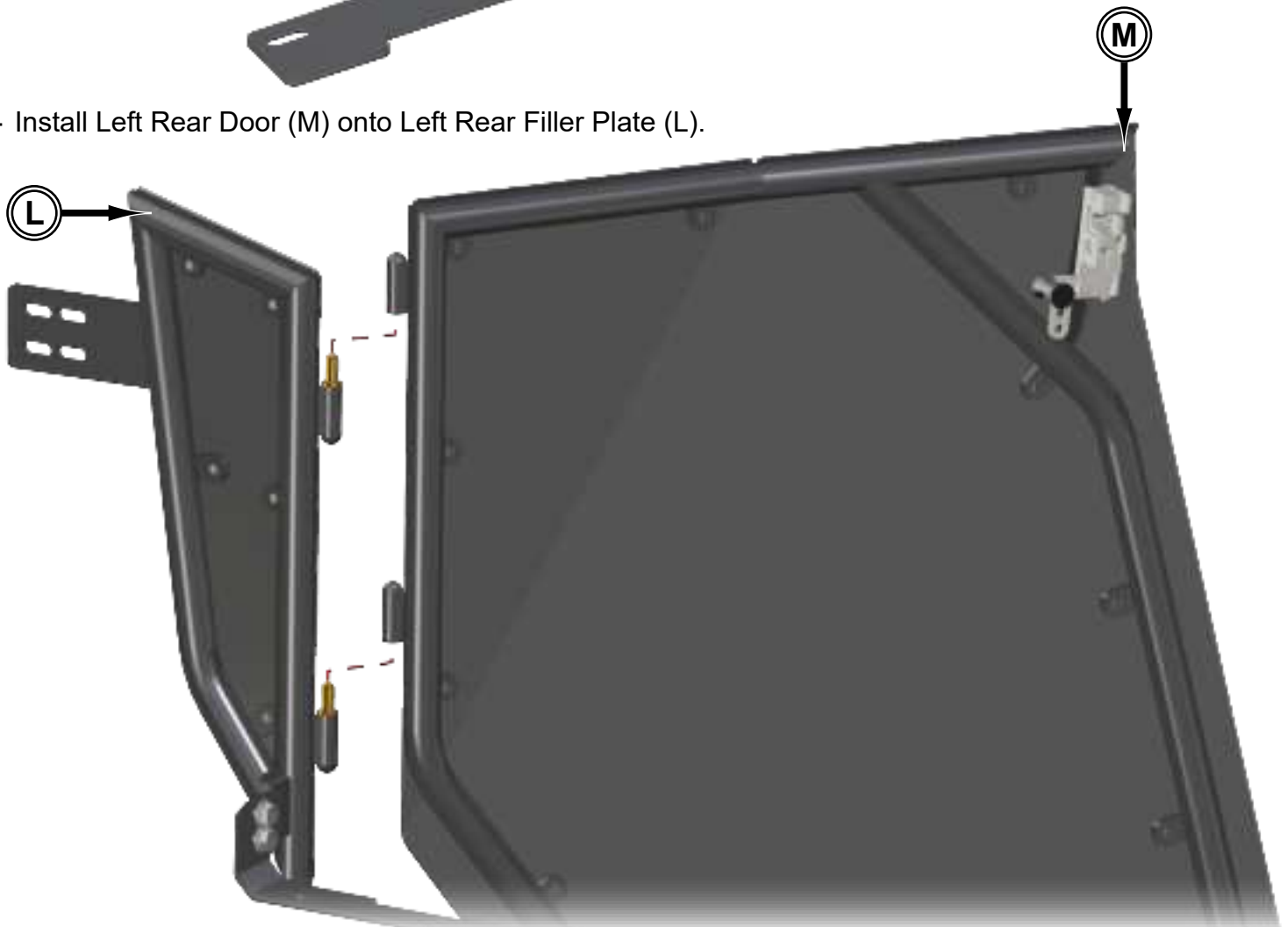




- Install Left Rear Lower Mount (Q) to Left Rear Filler Plate (L) with hardware shown.
- Reinstall Cover, over Left Frame Mount (H).



- Install Left Rear Door (M) onto Left Rear Filler Plate (L).



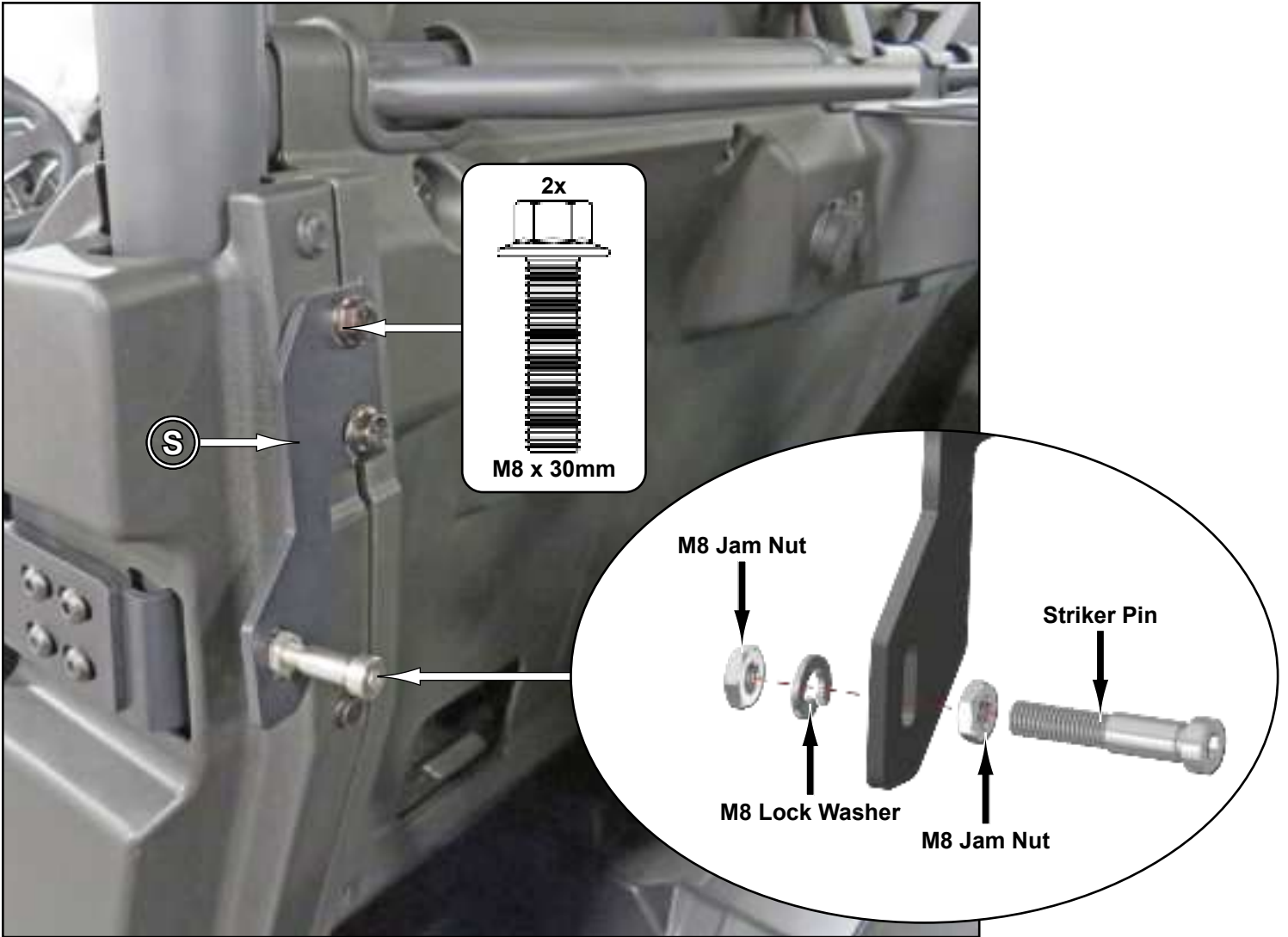
- Install Left Rear Door assembly to Left Rear Frame Mount (T) with hardware shown.



- Secure Left Rear Lower Mount (Q) to Frame with hardware shown; do not tighten.



- Install Striker Mount (S) to Left Frame Mount (H) with hardware shown; do not tighten.
- Install Striker Pin to Striker Mount (S).



- Close Rear Door and engage Latch.
- Align Rear Door to machine and tighten all hardware completely.



- Repeat steps for passenger side installation.
- Lower Bed.