



## EC-BASIC-U UNIVERSAL 0-10V

Item no. 24806

Document type: **Product card**

Document date: **2019-08-01**

Generated by: **Systemair Online Catalogue**

### Description

- Simple to install, connect and set up
- 50/60HZ mains option
- Can be used with all 220V single phase and 380V three phase EC fans
- Can accept 0-10V input from any control sensor or BMS
- Conforms to CE standards EN 60730-1, EN 61000-6-3, EN 61000-6-1
- Demand control made simple

The controller compares input signal with an adjustable set point and regulates a 0..10 V output signal applied to a ventilator with a PI algorithm in direct or reverse action based on jumper JP1 setting:

JP1 closed 1-2 = reverse action

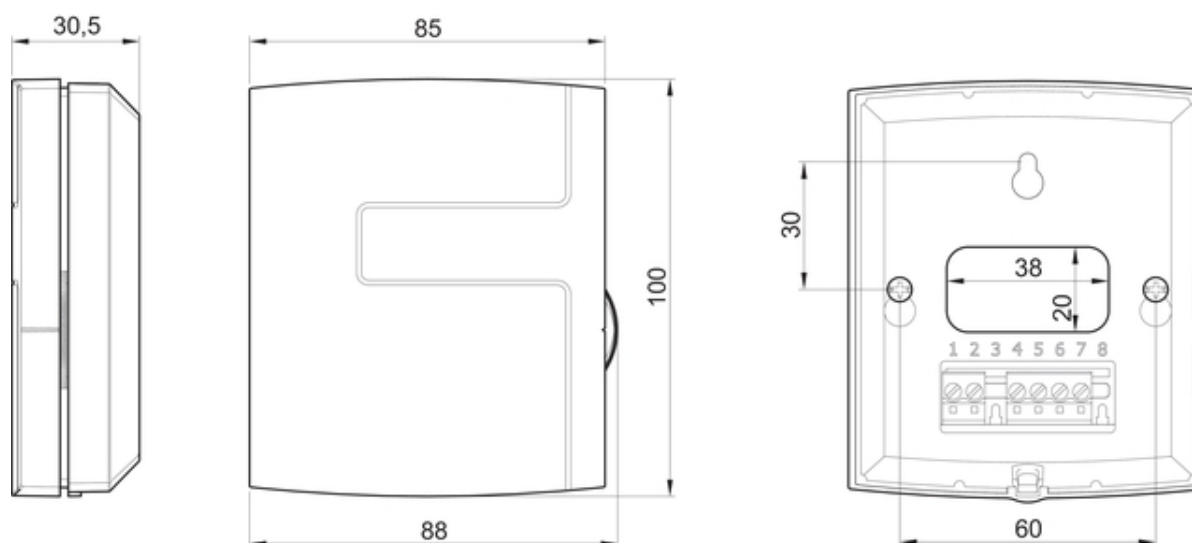
JP1 closed 2-3 = direct action



### Technical parameters

|                   |          |    |
|-------------------|----------|----|
| Voltage           | 85-265   | V  |
| Power consumption | max 0,46 | W  |
| Frequency         | 50/60    | Hz |
| Temperature range | -20-50   | °C |
| Working range     | 0...100% |    |

### Dimensions



Name: **EC-BASIC-U UNIVERSAL 0-10V** | Item no.: **24806**

Document type: **Product card** | Document date: **2019-08-01** | Generated by: **Online catalogue**

1 / 3

#### Get In Touch

Call: [0845 6880112](tel:08456880112)  
 Email: [info@adremit.co.uk](mailto:info@adremit.co.uk)

#### Our Address

Puravent, Adremit Limited, Unit 5a, Commercial Yard,  
 Settle, North Yorkshire, BD24 9RH



## Accessories

### Electric accessories

[Systemair-1M CO2 duct sensor \(14908\)](#)

[Systemair-1 CO2 duct sensor \(14906\)](#)

[Systemair-2 CO2 duct sensor \(14907\)](#)

## Documentation



IMO\_EC-BASIC\_EN\_SV\_rev3.pdf (1,42MB)



24806\_Declaration of Conformity\_EN.pdf (127,33kB)

### Get In Touch



Call: [0845 6880112](tel:08456880112)

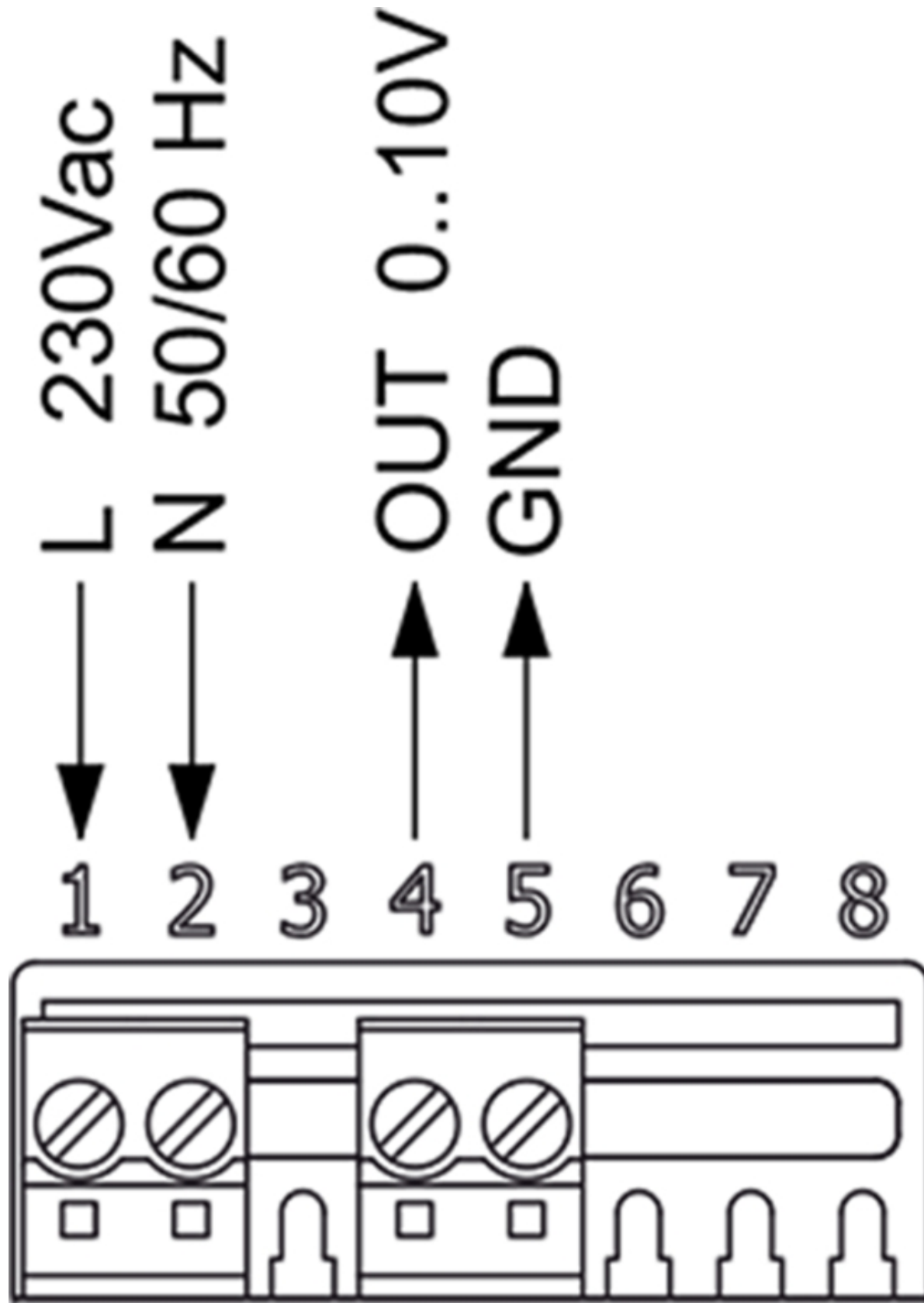


Email: [info@adremit.co.uk](mailto:info@adremit.co.uk)

### Our Address

Puravent, Adremit Limited, Unit 5a, Commercial Yard,  
Settle, North Yorkshire, BD24 9RH

Wiring



Name: **EC-BASIC-U UNIVERSAL 0-10V** | Item no.: **24806**

3 / 3

Document type: **Product card** | Document date: **2019-08-01** | Generated by: **Online catalogue**

Get In Touch

Call: [0845 6880112](tel:08456880112)  
Email: [info@adremit.co.uk](mailto:info@adremit.co.uk)

Our Address

Puravent, Adremit Limited, Unit 5a, Commercial Yard,  
Settle, North Yorkshire, BD24 9RH