

Plastic Fans – Industrial fans for “Aggressive Gases/ Vapours” PRF, PRF EX

Installation and Operating Instructions

GB

Document in original language | · 011



© Copyright Systemair AB
All rights reserved
E&OE

Systemair AB reserves the rights to alter their products without notice.
This also applies to products already ordered, as long as it does not affect the previously agreed specifications.

Contents

1	General information.....	1	15.1	Safety information.....	21
1.1	Warning symbols.....	1	15.2	Procedure.....	21
1.1.1	Instruction symbols.....	1	16	Deinstallation/dismantling.....	21
2	Information on the explosion-protection devices.....	1	17	Disposal.....	21
3	Important safety information.....	2	18	Commissioning Report.....	22
3.1	Personnel.....	3			
3.2	Personal protective equipment.....	3			
3.3	5 rules of electrical safety.....	3			
4	Warranty.....	3			
5	Delivery, transport, storage.....	4			
6	Description.....	5			
6.1	Intended use.....	5			
6.2	Incorrect use.....	5			
6.3	Technical data.....	5			
6.4	Chemical components.....	6			
6.5	Dimension.....	6			
6.6	Minimum air gap.....	7			
7	Name plate and type key.....	8			
7.1	Ex key (example).....	9			
8	Marking.....	10			
9	Accessories.....	11			
10	Installation.....	12			
10.1	Installation positions.....	13			
10.2	Lightning protection device.....	13			
11	Electrical connection.....	13			
11.1	Protecting the motor.....	14			
11.2	Variable-speed fans.....	14			
12	Commissioning.....	15			
12.1	Safety information.....	15			
12.2	Preconditions.....	15			
12.3	Tests.....	15			
13	Operation.....	16			
13.1	Safety information.....	16			
14	Troubleshooting/maintenance/repair.....	17			
14.1	Troubleshooting.....	17			
14.2	Maintenance.....	19			
14.3	Spare parts.....	20			
15	Cleaning.....	21			

1 General information

1.1 Warning symbols



Danger

Direct hazard

Failure to comply with this warning will lead directly to death or to serious injury.



Caution

Hazard with a low risk

Failure to comply with this warning may lead to moderate injuries.



Warning

Potential hazard

Failure to comply with this warning may lead to death or serious injury.

Important

Hazard with risk of damage to objects

Failure to comply with this warning will lead to damage to objects.



Note:

Useful information and instructions

1.1.1 Instruction symbols

Instruction

- ◆ Carry out this action
- ◆ (if applicable, further actions)

Instruction with fixed sequence

1. Carry out this action
2. Carry out this action
3. (if applicable, further actions)

2 Information on the explosion-protection devices



Danger

Explosion protection!

This warning marks information which applies if the device is used in a potentially explosive atmosphere. Failure to comply with this information will result in loss of explosion protection and may lead to serious injury or death.



Warning

Hazard resulting from improper use of the fans.

These operating instructions and the fan name plate describe how to use the EX fans safely.

- ◆ Read the operating instructions completely and carefully.
- ◆ If used in potentially explosive atmospheres, examine the name plate. Only use type PRF-EX fans.



Warning

Protective clothing must be worn in potentially explosive atmospheres to reduce the risks to employee health.

- ◆ Wear protective equipment during all work in the vicinity of the fan, details see 3.2 *Personal protective equipment*, page 3.
- ◆ Comply with the information on personal protective equipment displayed in the work area.

**Warning**

Regarding the choice of material, the EX fans fulfil the requirements of Standard DIN 14986 (Construction of fans for use in potentially explosive atmospheres) as a result of specific protection measures in areas of potential contact between rotating and stationary components (rotor/intake nozzle).
A safety clearance to the intake nozzle is guaranteed for the rotating part. The plant builder is responsible for selecting the materials for the fixed peripheral parts for fan designs without protective grids. Only pairs of materials according to Standard DIN EN 14986 are to be used.

**Warning**

The temperature class stated on the EX name plate (motor) must match the temperature class of the combustible gas which may occur, or the motor must have a higher temperature class.

**Danger****Explosion protection**

Transport damage or failure to comply with this information can lead to loss of explosion protection.

- ◆ In the event of recognisable transport damage, contact the manufacturer and do not put the device into operation.

**Warning**

The effects of lightning strikes must be limited so that hazards are prevented. In addition to protection against the effects of "direct" lightning strikes, this also includes protection against lightning strikes at a distance from the building. The latter can lead to hazards resulting from excess voltage.

- ◆ Carry out a risk analysis according to DIN VDE 0100, part 443, with a balance between protection and consequences, taking the probability of the occurrence of excess voltage into account.
- ◆ Protect all devices, protective systems and components by using suitable lightning and excess voltage protection measures.

**Warning****Ignition protection class „db“**

If fans are controlled using motors with a "d" ignition protection class with a frequency converter, then thermal protection via a PTC resistor in the motor is required.

3 Important safety information

Planners, plant builders and operators are responsible for the proper assembly and intended use.

- ◆ Read the operating instructions completely and carefully.
- ◆ Keep the operating instructions and other valid documents, such as the circuit diagram or motor instructions, with the fan. They must always be available at the place of use.
- ◆ Observe and respect local conditions, regulations and laws.
- ◆ Abide by the system-related conditions and requirements of the system manufacturer or plant constructor.
- ◆ Safety elements may not be dismantled, circumvented or deactivated.
- ◆ Only use the fan in a flawless condition.
- ◆ Provide generally prescribed electrical and mechanical protective devices.
- ◆ During installation, electrical connection, commissioning, troubleshooting, and maintenance, secure the location and premises against unauthorised access.
- ◆ Do not circumvent any safety components or put them out of action.
- ◆ Before any work on the fan, test absence of voltage.
Even when the motor is stopped, dangerous voltages may be present on terminals.
- ◆ Keep all the warning signs on the fan complete and in a legible condition.
- ◆ The device is not to be used by persons (including children) with reduced physical, sensory or mental capabilities, or lack of experience and knowledge, unless they have been given supervision or instruction.
- ◆ When lifting the device, use suitable lifting gear.
- ◆ Do not allow children to play with the device.

3.1 Personnel

The fan may only be used by qualified, instructed and trained personnel. The persons must know the relevant safety directives in order to recognise and to avoid risks. The individual activities and qualifications can be found in Table 1 *Qualifications*, page 3.

Table 1 Qualifications

Activities	Qualifications	
Storage, operation, transport, cleaning, disposal	Trained personnel (see following note)	
Electrical connection, commissioning, electrical disconnection	Electrical expert or matching qualification	
Installation, disassembly	Fitter or matching qualification	
Maintenance	Electrical expert or matching qualification	Fitter or matching qualification
Repair	Electrical expert or matching qualification	Fitter or matching qualification
	Smoke extraction fans and EX fans only by agreement with Systemair.	



Note:

The operator is responsible for ensuring that personnel are instructed and have understood the contents of the operating instructions. If something is unclear, please contact Systemair or its representative.

3.2 Personal protective equipment

◆ Wear protective equipment during all work in the vicinity of the fan.

- protective working clothes
- protective working gloves
- goggles
- protective working shoes
- helmet
- hearing protection

3.3 5 rules of electrical safety

1. Disconnect (disconnection of the electrical system from live components at all terminals)
2. Prevent reactivation
3. Test absence of voltage
4. Ground and short-circuit
5. Cover or restrict adjacent live parts

4 Warranty

For the assertion of warranty claims, the products must be correctly connected and operated, and used in accordance with the data sheets. Further prerequisites are a completed maintenance plan with no gaps and a commissioning report. Systemair will require these in the case of a warranty claim. The commissioning report is a component of this document. The maintenance plan must be created by the operator, see section Maintenance.

5 Delivery, transport, storage

Safety information

Warning: Risk from rotating fan blades

- ◆ Prevent access by unauthorised persons by safety personnel or access protection.

Warning: Suspended loads

- ◆ Do not walk under suspended loads.
- ◆ Make sure that there is nobody under a suspended load.

Delivery

Each fan leaves our plant in an electrically and mechanically proper condition. We recommend transporting the fan to the installation site in the original packaging.

Checking delivery

- ◆ Check the packaging and the fan for transport damage. Any findings should be noted on the cargo manifest.
- ◆ Check completeness of the delivery.

Unpacking

When opening the transport packaging, there is a risk of damage from sharp edges, nails, staples, splinters etc.

- ◆ Unpack the fan carefully.
- ◆ Check the fan for obvious transport damage.
- ◆ Only remove the packaging shortly before assembly.

Transport

Safety information

Warning: Electrical or mechanical hazards due to fire, moisture, short circuit or malfunction.

- ◆ Never transport the fan by the connecting wire, terminal box, impeller, protection grille, inlet cone or silencer.
- ◆ In open transport, please make sure that no water can penetrate into the motor or other sensitive parts.
- ◆ We recommend transporting the fan to the installation site in the original packaging.

Caution: If transported without care during loading and unloading, the fan may be damaged.

- ◆ Load and unload the fan carefully.
- ◆ Use hoisting equipment that is suitable for the weight to be hoisted.
- ◆ Observe the transportation arrows on the packaging.
- ◆ Use the fan packaging exclusively as transport protection and not as a lifting aid.

Storage

- ◆ Store the fan in the original packaging in a dry, dust-free location protected against weather.
- ◆ Avoid the effects of extreme heat or cold.

Hazard due to loss of function of the motor bearing

- ◆ Avoid storing for too long (recommendation: max. 1 year).
- ◆ Check that the motor bearing functions properly before installation.

6 Description

6.1 Intended use

Intended use PRF and PRF EX

- The fans are intended for installation in ventilation systems.
- The fans are exclusively intended for extract air applications.
- The fans have been developed and built to convey air with the simultaneous presence of corrosive gases/vapours.

Intended use PRF EX

- The EX fans are not ready-for-use products, but have been designed as components for ventilation equipment, machines and systems. They may only be operated when they have been installed in accordance with their use and safety has been ensured by protective devices pursuant to DIN EN 294 (DIN EN ISO 12100-1).
- The fans are only intended for conveying air or explosion-capable atmospheres of Zone 1, Category 2G, and Zone 2, Category 3G.

6.2 Incorrect use

Incorrect use refers mainly to using the fan in another way to that described. The following examples are incorrect and hazardous:

Incorrect use PRF and PRF EX

- Conveying of abrasive, combustible air or air with solid particles.
- Conveying media which attack the materials of the fan (housing, rotor and slip rings of polypropylene).
- Operation without duct system or protection grille
- Operation with the air connections closed

Incorrect use PRF

- Conveying of explosive and combustible media

Incorrect use PRF EX

- The fan is not suitable for intake of aggressive media or media with a dust content so high that dust deposits on the impeller or fan housing can affect the operation of the fan.

6.3 Technical data

Max. ambient temperature [°C]	see data sheet, available in our online catalogue.
Max. temperature of transported air [°C]	see data sheet, available in our online catalogue.
Sound pressure [dB]	see data sheet, available in our online catalogue.
Voltage, current, frequency, enclosure class, weight	see name plate of the fan
The motor data can be found on the name plate of the motor, or in the technical documents of the motor manufacturer.	

The data on the name plate of the fan apply to "standard air" according to ISO 5801.

- Housing material: UV resistant PE (PRF-EX sizes 125–250 from PP)
- Impeller material: PP



Warning

- Inspected according to ATEX Directive 2014/34/EU
- Antistatic housing

The explosion-protected fans can be used for temperature classes T1 to T4 or T6 (sizes 315–450 max. T4) and have been registered for transporting potentially explosive atmospheres in Zone 1 and 2, category 2G and 3G, with the groups IIA, IIB and H² (only PRF-EX Ex db).

PRF-EX Ex db has an IEC standard motor in an Ex db finish which can be controlled via a frequency inverter and has an added-on terminal box in an Ex eb finish. Motor protection is via an integrated PTC resistor with connection to a motor protection switching device e.g. U-EK230E.

6.4 Chemical components

The standard plastic types used are polyethylene (PE) and polypropylene (PP). As a matter of principle, the rotor material is the indicator for the selection.

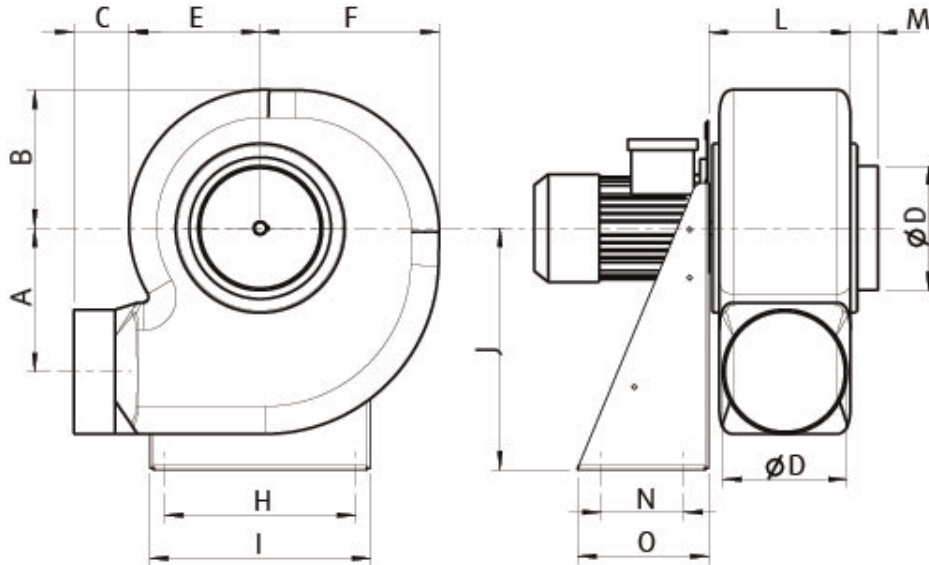


Note:

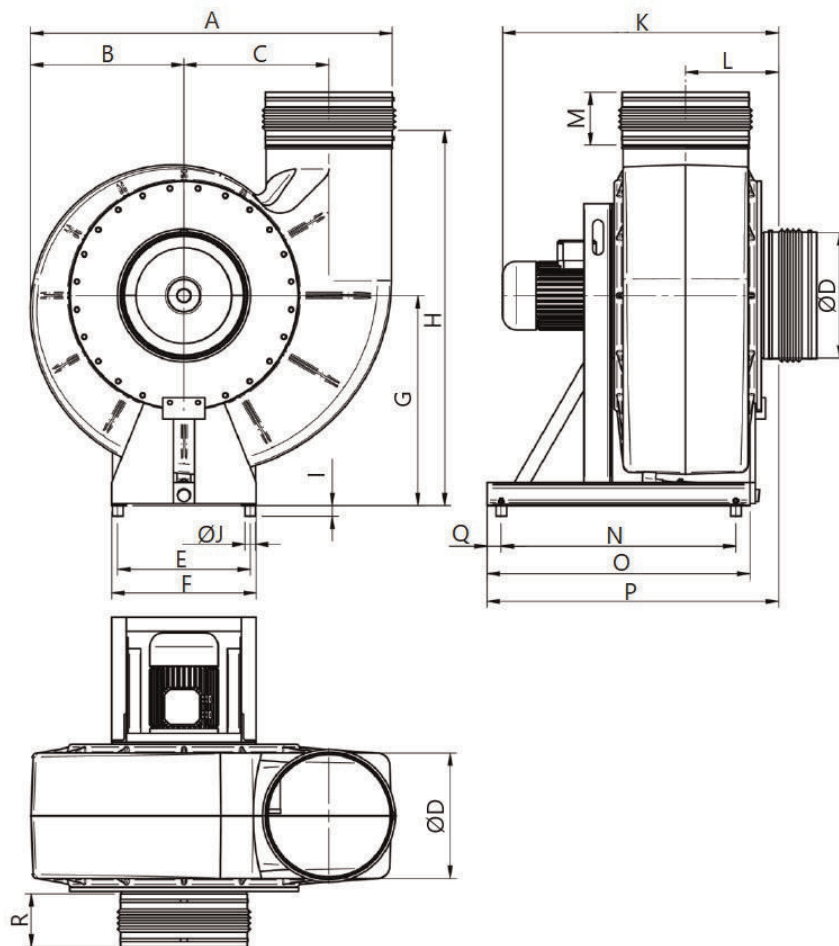
The list "COMPATIBILITY WITH CHEMICAL AGENTS" is available in our online catalogue. This list has been produced to the best of our knowledge, but we cannot guarantee the correctness of all statements. Examination of the media to be transported is a matter for the plant operator. Here, it is merely a question of a recommendation.

6.5 Dimension

Table 2 Dimensions



[mm]	A	B	C	ØD	E	F	H	I	J	L	M	N	O
PRF, PRF EX 125	142	165	60	125	150	183	200	235	250	115	40	100	140
PRF, PRF EX 160	182	210	80	160	190	237	255	290	310	150	40	100	140
PRF, PRF EX 180	205	230	80	180	205	275	277	320	350	160	40	120	190
PRF, PRF EX 200	227	245	80	200	220	313	320	355	410	170	40	150	230
PRF, PRF EX 250	284	330	80	250	270	380	330	370	495	195	40	170	250



[mm]	A	B	C	ØD	E	F	G	H	I	ØJ	K	L
PRF 355	1025	435	411	355	376	410	595	1063	30	30	782	264
PRF 450	1274	539	510	450	478	512	730	1267	40	30	897	311
PRF 500	1435	607	576	500	530	564	820	1403	40	30	1032	336
PRF EX 315	907	385	362	315	424	460	510	896	30	30	707	242
PRF EX 400	1135	481	454	400	412	446	650	1132	40	30	847	286
PRF EX 500	1435	607	576	500	530	564	820	1403	40	30	1032	336
	M	N	O	P	Q	R						
PRF 355	150	665	745	826	40	150						
PRF 450	150	814	894	975	40	150						
PRF 500	150	893	973	1054	40	150						
PRF EX 315	150	424	474	717	25	150						
PRF EX 400	150	723	803	884	40	150						
PRF EX 500	150	893	973	1054	40	150						

6.6 Minimum air gap

The following table shows the minimum air gap between the rotor and the housing.

Size	minimum air gap [mm]	Size	minimum air gap [mm]	Size	minimum air gap [mm]
125	2.0	250	4.5	450	26
160	2.5	315	14	500	17.5
180	3.0	355	14		
200	3.5	400	26		

7 Name plate and type key

- 1 Type designation
- 2 Voltage/current/frequency
- 3 Power
- 4(a/b/c) Enclosure class/fan impeller speed/weight
- 5 Article number/production number/manufacturing date
- 6 Certifications
- 7 Certification office/ATEX registration number
- 8 Identification
- 9 Manufacturer Address
- 10 Insulation class
- 11 Production number

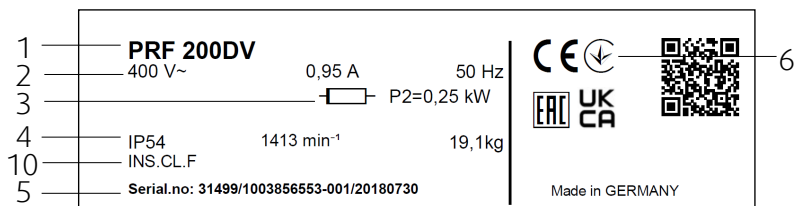
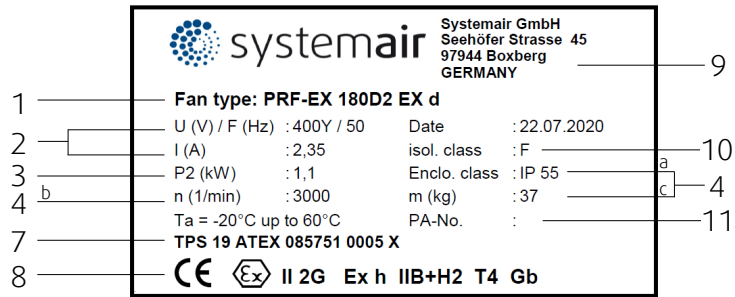




Table 3 Type key PRF

PRF	200	DV	EX db	Ignition protection class	
				Pressure-proof encapsulation	
				Motor type	
				D2	2poled/controllable by frequency converter/3 phased
				D4	4 poled/controllable by frequency converter/3 phased
				DV	4 poled/voltage controllable/3 phased
				E4	4 poled/controllable by frequency converter/1 phased
				EC	Electronically commutated/1 phased or 3 phased
				Flange diameter	
				Fan type	
				PRF	Plastic Fans – Industrial fans for “Aggressive Gases/Vapours”

7.1 Ex key (example)

CE	0123		TPS 19 ATEX 085751 0005 X
CE	CE sign		
0123	Notified office (quality assurance system)		
	Device certified for Ex area		
II	Device group (here: use above ground)		
2G	Device category and classification (G = gas; D = dust)		
Ex h	Ignition protection class (constructive safety)		
Ex db	Ignition protection class (pressure-proof encapsulation)		
Ex eb	Ignition protection class (increased safety)		
IIB	Group		
T4	Temperature class		
Gb	EPL Equipment Protection Level		
TPS 19 ATEX 085751 0001 X	ATEX registration number		

8 Marking

Table 4 Marking

Designation		Marking	
Device group II	Classification		All areas with explosion-capable atmosphere apart from mining, underground and above ground in cases of mien damp.
Device category/ classification	„2G“	2	Category 2 / Zone 1 / high safety / Devices of this category are intended for use in areas in which occasional occurrence of an explosion-capable atmosphere of gases, vapours, mists is to be expected. Increased safety, Ex eb.
	„3G“	3	Category 3 / Zone 2 / normal safety / Devices of this category are intended for use in areas in which occurrence of an explosion-capable atmosphere of gases, vapours, mists is not to be expected, but if it does occur then in all probability only rarely and for a short period of time.
		G	Gases / Vapours / Mists
Ignition protection class mechanical	“h”	Constructive safety	DIN EN ISO 80079-37:2016
Ignition protection class electrical	„db“	Pressure-proof encapsulation db	Motor: Pressure-proof encapsulation
	„eb“	Increased safety, Ex eb	Terminal box: Occurrence of sparks, light arc or inadmissible temperatures which could act as sources of ignition is prevented by additional measures and an increased degree of safety.
Group	II	IIA	Propane
		IIB	Ethylene
		IIC	Hydrogen (H ₂)
Temperature class	T1	450 °C	I: Methane
			IIA: Acetone, ammoniac, methane, methanol, propane, toluene
			IIB: Town gas
			IIC: Hydrogen (H ₂)
			IIA: Ethyl alcohol, n-butane
			IIB: Ethylene
T2	300 °C	IIC: Acetylene	
		IIA: Otto fuels, diesel fuels, heating oils	
T3	200 °C	IIB: Hydrogen sulphide	
T4	135 °C	IIA: Acetaldehyde, ethyl ether	
T5	100 °C	There is no gas in this class	
T6	85 °C	Carbon disulphide	
EPL Equipment Protection Level	Gb		Devices of this category are intended for use in areas in which occasional occurrence of an explosion-capable atmosphere of gases, vapours, mists is to be expected.



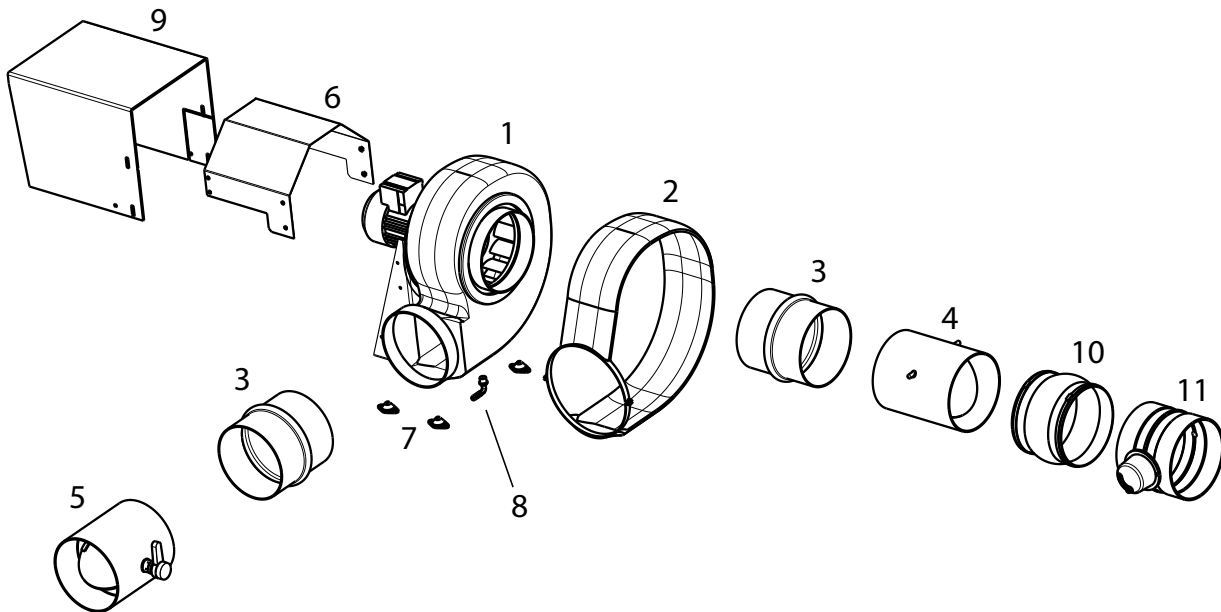
9 Accessories



Note:

For details of the accessories, please check our online catalog or contact Systemair.

Table 5 Accessories



1	PRF, PRF EX	Fan	7	SD	Vibration damper
2	VP	Splinter protection included in sizes 355-500	8		Drain plug included in sizes 355-500
3	ASS-P	Flexible connection up to size 250	9	WSD	Weather roof KIT from size 315
4	VKS-P	Gravity shutter up to size 250	10	ASS-P	Flexible connection from size 315
5	VKA-P	Adjust. damper up to size 250	11	VKA-P	Adjust. damper from size 315
6	WSD	Weather roof KIT (not for PRF EX) up to size 250			

10 Installation

Safety information

Warning: Danger from falling fan or fan parts.

- ◆ Check the surface before installation for load bearing capacity.
- ◆ Consider all static and dynamic loads when selecting hoisting equipment and fastening components.

General safety information

- ◆ Fans installed in areas where personnel access regularly must be equipped with a splinter guard, please contact Systemair.
- ◆ Observe 3 Important safety information, page 2
- ◆ Use installation material with fire resistance classes that meet temperature requirements.
- ◆ Provide contact and intake protection and ensure safety distances according to DIN EN ISO 13857 and DIN 24167-1.
- ◆ To reduce transmission of vibration to the duct system, we recommend flexible connections from our accessory range, see chapter Accessories.
- ◆ The materials the fan is made of have to be compatible to the transported media.
- ◆ Pay attention to the safety data sheet of the chemical substances transported with the fan.

Preconditions

- ◆ Ensure that the fan and all its components are undamaged.
- ◆ Fit the fans in such a way that there is sufficient access for installation, troubleshooting, maintenance and repair.
- ◆ Protect against dust and moisture when installing.
- ◆ Ensure that the information on the name plates (fan and motor) matches up with the operating conditions.



Danger

Risk of ignition of a potentially explosive atmosphere!

- ◆ Seal the system carefully.
- ◆ Install accessory parts correctly.
- ◆ The housing must be protected from shock impacts, using splinter protection if necessary (accessory)!

Aluminothermic Reaction

At high air speeds, in combination with aluminium, rust particles may lead to an aluminothermic reaction which, in the worst case, can trigger the ignition of an explosive atmosphere. Upstream or downstream components, or those which lie directly in the air flow, must not have any unprotected aluminium or steel surfaces. To prevent an aluminothermic reaction, surface protection is required which at least fulfils the cross-cut test classification 2 / DIN EN ISO 2409. Steel with an electro-galvanised or hot-dip galvanised surface is not critical. However, care must be taken that appropriate protection is also applied to the cut edges.

Important

Damage to the bearings or other parts of the fan can occur.

- ◆ Do not place a duct bend directly before or after the fan!
- ◆ Ensure a smooth and constant air flow to the device.

- Rectangular duct system: **D** = Hydraulic diameter
- Round duct system: **D** = Nominal diameter

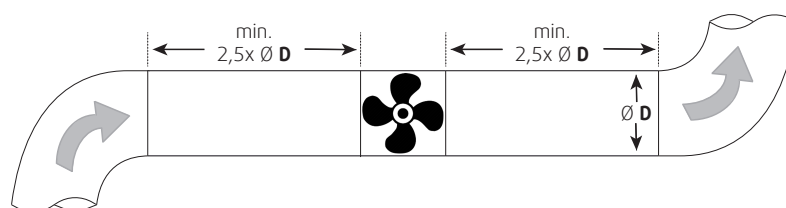


Fig. 1 Straight ducts

10.1 Installation positions

The installation is possible in any mounting position.

We recommend mounting on a horizontal surface to ensure the function of vibration dampers and condensate drainage.

10.2 Lightning protection device

- ◆ If the risk assessment shows that there is the risk of an atmospheric discharge, lightning protection measures must be taken. For reasons of operational safety, provide for a suitable lightning protection system according to country specific directives (e.g. DIN VDE 0185).

11 Electrical connection

Safety information



Danger

Risk of ignition of a potentially explosive gas/air atmosphere!

If the wire ends which have not been connected are fitted to the external current circuits within an area with a potentially explosive atmosphere,

- ◆ a connection box (with its own certification and explosion-protection identification) which has been selected as suitable for this area must be used.
- ◆ the electrical data, information on temperature monitoring and on admissible operation with part voltage, if applicable, can be found on the relevant data sheet.
- ◆ Electronic accessories without explosion-protection (e.g. RTRD control device and UEK motor protection) must be installed outside the explosion capable area.
- ◆ Speed control by frequency converter is only admissible for devices with the „Pressure-proof encapsulation Ex d“ ignition protection class.

The types #33985 PRF-EX 180D4 and #34532 PRF-EX 125D2 are not speed controllable by frequency converter.

Protection against explosions in general:

- ◆ Earth at the planned earthing point.
- ◆ In hazardous areas connect conductive components to a potential equalisation system.

Warning: Danger from electrical voltage!

- ◆ Observe the 5 rules of electrical safety, see 3.3 *5 rules of electrical safety*, page 3.
- ◆ Prevent the ingress of water into the connection box.
- ◆ Electrical connection may only be carried out by adequately qualified persons, details see Table 1 *Qualifications*, page 3.

Connection

- ◆ Check if the data on the nameplate matches the connection data.
- ◆ Complete the electrical connection according to the circuit diagram.
- ◆ Use all of the locking screws.
- ◆ Insert the screws by hand to avoid damaging the thread.
- ◆ Tighten all glands well in order to guarantee protection class IP.
- ◆ Screw the lid of the terminal box/inspection switch evenly tight.
- ◆ Connect the cable end in a dry environment.
- ◆ Install a circuit breaker in the permanent electrical installation, with a contact opening of at least 3 mm at each pole.
- ◆ Potentially, the fans may become charged with static electricity. If this represents a risk, please contact Systemair.

Protective grounding wire

The protective grounding must have a cross-section equal to or greater than that of the phase conductor.

Residual current circuit breaker

All-current-sensitive residual current circuit breakers are required for use in alternating-current systems with 50/60 Hz, in combination with electronic devices such as EC motors, frequency converters or uninterruptible power supplies (UPS).

11.1 Protecting the motor**Important****Damage to motor due to overcurrent, overload or short circuit.**

- ◆ Lead-out temperature monitors must be integrated in the control circuit in such a way that, if a fault occurs, the motor cannot switch on again automatically after it has cooled down.
- ◆ Motor lines and temperature monitor lines should be laid separately on principle.
- ◆ Without thermal protection: Use a motor protection switch!

11.2 Variable-speed fans**Warning**

Resonant frequencies may result in increased vibration in certain speed ranges. These vibrations may destroy components.

- ◆ Only operate the fan outside these speed ranges.
- ◆ Pass through these speed ranges so quickly that any vibration cannot exceed the admissible resonant frequency values.
- ◆ Observe the operating instructions of the frequency converter.

**Caution****Damage as a result of incorrect commissioning of the frequency converter.**

- ◆ Install the fan and frequency converter as near as possible to one another.
- ◆ Use shielded cables.
- ◆ All components (fan, frequency converter and motor) must be grounded.
- ◆ We recommend using all-pole sinus filters.
- ◆ Avoid running the fan via the frequency converter below 10 Hz.
- ◆ Heating of the motor due to use of a variable frequency drive must be checked in the application by the customer.
- ◆ Never exceed the maximum impeller rotation speed indicated on the name plate of the fan.

12 Commissioning

The system operator is responsible for the correct operation of the fan and/or the system!

Warranty claims can only be made if commissioning work is carried out correctly and written evidence thereof is provided.

It is recommended to fill out the commissioning report 18 *Commissioning Report*, page 22.

12.1 Safety information

- ◆ Commissioning may only be carried out by adequately qualified persons, details see Table 1 *Qualifications*, page 3.
- ◆ Pay attention to the safety data sheet of the chemical substances transported with the fan.



Warning

- ◆ Comply with fundamental information in the commissioning of the EX fan:
 - DGVU 113-001 (explosion protection rules (EX-RL))
 - TRGS 727 (Avoiding ignition hazards due to electrostatic charges).
 - Observe and respect local conditions, regulations and laws.

12.2 Preconditions

- ◆ Installation and electrical connection have been correctly performed.
- ◆ Residual material from installation and foreign objects have been removed from the fan and ducts.
- ◆ Inlet and outlet are free.
- ◆ Safety devices have been fitted.
- ◆ Ground cable is connected.
- ◆ Cable glands are tight.
- ◆ Data on the name plate corresponds with the connection data.
- ◆ For EX fans, check whether the minimum air gap between the rotor and the housing matches the value stated in 6.6 *Minimum air gap*, page 7

12.3 Tests

- ◆ Before switching the fan on, check for externally visible damage and ensure that the protective equipment functions properly.
 1. Switch the fan on.
 2. Do the tests requested in the commissioning report (18 *Commissioning Report*, page 22)
 - Speed controllable fans: "Measured data at commissioning" at maximum speed
 3. Switch the fan off.

13 Operation

13.1 Safety information



Danger

Risk of ignition of a potentially explosive gas/air atmosphere!

When commissioning the EX fan, the fundamental information from DGVU 113-001 (explosion protection rules (EX-RL)) and TRGS 727 (avoidance of risk of ignition as a result of electrostatic charges) must be known.

- ◆ Do not open or tip the fan if an explosive atmosphere exists.

Warning: Hazard from electrical voltage or moving components.

- ◆ The device may only be operated by adequately qualified persons, details see Table 1 *Qualifications*, page 3.

Important

Damage to the fan because of condensation water.

Ensure regular switch-on time of 2 hours per week

Warning: Risk by careless use of aggressive media.

Careless use of aggressive media can lead to very severe injuries.

- ◆ Pay attention to the safety data sheet of the chemical substances transported with the fan.
- ◆ Only use the fan in accordance with the operating instructions and the operating instructions for the motor.
- ◆ The EX fans have been admitted for S1 continuous operation.

14 Troubleshooting/maintenance/repair

Safety information

- ◆ Observe 3 *Important safety information*, page 2
- ◆ Pay attention to the safety data sheet of the chemical substances transported with the fan.



Danger

Loss of explosion protection

- The manufacturer must always be consulted before any maintenance or repair work is carried out! Repairs should preferably always be carried out by the manufacturer! Exceptions can be made for non-relevant components such as terminal boxes, screwed cable connections, etc. These can also be dealt with on-site by the operator's qualified staff (authorised personnel). Non-compliance will result in the ATEX certification being revoked!
- For ATEX-certified products, the repair or replacement of fan components is expressly only permitted after consultation with the manufacturer and only if the manufacturer's original parts are used!
- After repair, the fan/system must be subjected to an inspection in accordance with local conditions, regulations and laws (in Germany: §14 Abs 6 der BetrSichV Industrial Safety Regulation). This does not apply to repairs carried out by the manufacturer.

14.1 Troubleshooting

Table 6 Troubleshooting

Problem	Possible causes	Remedy
	Impeller imbalance	Rebalancing by a specialist company if possible, otherwise contact Systemair.
	Soiling on the impeller	Clean carefully, rebalance
	Material decomposition on the impeller due to aggressive material conveyed.	Contact Systemair
Fan does not run smoothly	Impeller rotates in wrong direction.	Change direction of rotation (swap two phases in case of a 3-phase motor). Contact Systemair
	Deformation of impeller due to excessive temperature.	Ensure that the temperature does not exceed the certified value/Install new impeller.
	Vibrations, oscillations	Check the installation of the fan/check the duct system, see 10 <i>Installation</i> , page 12.
	Fan operation in resonant frequency range	Consider chapter 11.2 <i>Variable-speed fans</i> , page 14
Air output of fan too low	Impeller rotates in wrong direction.	Change direction of rotation (swap two phases in case of a 3-phase motor).
	Wrong wiring configuration (e.g. Y instead of Delta).	Check and possibly correct the wiring configuration.
	Pressure losses too high.	Optimize the line routing.
	Flow regulators not or only partly open.	Check opening position on site.
	Intake or pressure ducts are blocked.	Remove the blockage.
Grinding sounds when starting or operating the fan	Check if the duct connections of the fan are strained.	Loosen the duct connections and realign it.

Troubleshooting cont'd

Thermal contacts/ resistors have triggered	Impeller rotates in wrong direction.	Change direction of rotation (swap two phases in case of a 3- phase motor). Contact Systemair
	Missing phase	In case of a 3 phase standard motor (not EC), check if all 3 phase are present.
	Motor overheated	Check the cooling impeller (if used), measure the motor winding (if possible) / contact Systemair.
	Motor blocked	Contact Systemair
Fan does not reach nominal speed	Defective motor winding	Contact Systemair
	Control units (if used) such as frequency converter or transformer are set incorrectly.	Correct the settings of the control units.
	Mechanical blockage	Remove the blockage.
	Frozen condensate blocking the impeller	Thaw and drain the condensate
Motor does not rotate	Faulty supply voltage	Check the supply voltage, re-establish the voltage supply.
	Faulty connection	Disconnect from the power supply, correct the connection, see circuit diagram.
	Temperature monitor has responded.	Allow the motor to cool down, find and resolve the cause of the fault.
Electronics/motor overheated	Insufficient cooling	Improve cooling.
	Overloaded motor	Check if the correct fan is used for your application.
	Ambient temperature too high	Check if the correct fan is used for your application.

**Note:**

For all other damage/defects, please contact Systemair. Defective safety-relevant fans (for Ex and smoke extraction applications) must be replaced completely.

14.2 Maintenance

Warranty claims can only be made if maintenance work is carried out correctly and written evidence thereof is provided.

We recommend regular maintenance intervals to ensure continuous fan operation. These maintenance intervals are specified in the “Activities” table below. In addition, the operator must carry out follow-up activities such as cleaning, replacing defective components or other corrective measures. For traceability reasons, a maintenance plan must be created which documents the work carried out. This must be created by the operator. If the operating conditions are "extreme", the maintenance intervals must be reduced so that maintenance is carried out more frequently. Examples of extreme operating conditions:

- Durable ambient temperature > 35 °C or < 5 °C, or temperature fluctuations > 20 K
- Use in an explosion capable area

Table 7 Activities

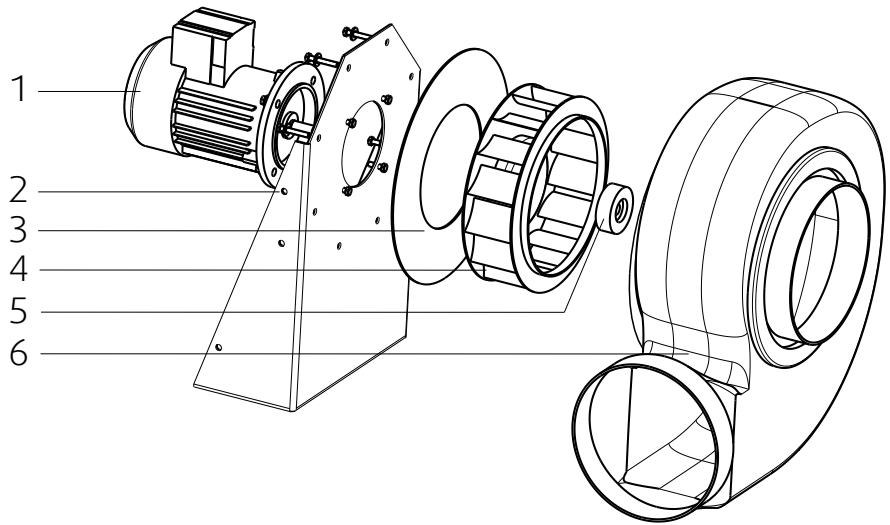
Activity	Normal operating conditions		Extreme operating conditions	
	Every six months	Annually	Quarterly	Every six months
Check the fan and its components for visible damage, corrosion and contamination.		X		X
Check the impeller for damage and imbalance.		X		X
Clean the fan/ventilation system (see 15 <i>Cleaning</i> , page 21).	X		X	
Check the screwed connections for damages/defects and check that they are firmly seated.		X	See normal operating conditions	
Check the fan intake is free from contamination.		X		X
Check that the fan and its components are being used correctly.	X		See normal operating conditions	
Check the current consumption and compare this with the rated data.		X		X
Check the vibration dampers (if used) are working correctly and check for visible damage and corrosion.		X	See normal operating conditions	
Check the electrical and mechanical protective equipment is working correctly.		X	See normal operating conditions	
Check the fan’s rating plate is legible.		X		X
Check the connection clamps and screwed cable connections for damage/defects, and check that they are firmly seated.		X	See normal operating conditions	
Check the flexible connectors for damage.	X		See normal operating conditions	

14.3 Spare parts

- ◆ Use original spare parts from Systemair only.
- ◆ When ordering spare parts, please specify the serial number of the fan. This can be found on the name plate.

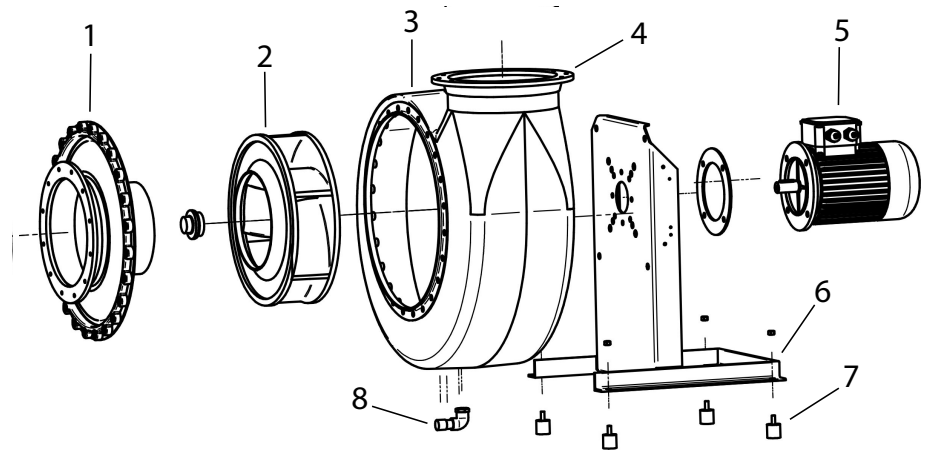
PRF, PRF EX 125-250

- 1 Motor
- 2 Flange plate
- 3 Motor disc
- 4 Impeller
- 5 Taper bush
- 6 Housing



PRF, PRF EX 355-500

- 1 Housing cover with inlet
- 2 Impeller
- 3 Housing
- 4 Outlet
- 5 Motor
- 6 Frame
- 7 Vibration damper
- 8 Drain plug



15 Cleaning

15.1 Safety information

- ◆ Cleaning may only be carried out by adequately qualified persons, details see Table 1 *Qualifications*, page 3.
- ◆ Observe the 5 rules of electrical safety, see 3.3 *5 rules of electrical safety*, page 3.
- ◆ The impeller must be at a standstill.
- ◆ Pay attention to the safety data sheet of the chemical substances transported with the fan.

15.2 Procedure

Important

Keeping the fan clean extends its service life.

- ◆ Drain condensation off
- ◆ Only use compressed air if the fan is used for conveying air in the presence of gases/vapours without hovering particles.
- ◆ If the fan is used in an environment with vapours of specific chemical substances, get information from the chemical safety data sheet with a view to the recommended cleaning products.
- ◆ Install a filter monitor.
- ◆ Do not use steel brushes or sharp-edged objects.
- ◆ Do not use a high-pressure cleaner (steam jet cleaner) under any circumstances.
- ◆ Do not bend the fan blades when cleaning.
- ◆ When cleaning the impeller, pay attention to balance weights that have been positioned
- ◆ Keep the airways of the fan clear and clean them if necessary with a brush.

16 Deinstallation/dismantling

- ◆ Pay attention to the safety data sheet of the chemical substances transported with the fan.
- Deinstall and dismantle the fan in reverse order of installation and electrical connection.

17 Disposal

- ◆ Ensure material is recycled. Observe national regulations.
- ◆ The device and the transport packaging are predominantly made from recyclable raw materials.
- ◆ Disassemble the fan into its components.
- ◆ Separate the parts according to:
 - reusable material
 - material groups to be disposed of (metal, plastics, electrical parts, etc.)

18 Commissioning Report

Warranty claims can only be made if commissioning work is carried out correctly and written evidence thereof is provided.

Fan

Description:

Article no.:

Manufacturing order no.:

Installer

Company:

Contact person:

Company address:

Tel. no.:

Email:

Operator (Place of installation)

Company:

Contact person:

Company address:

Tel. no.:

Email:

Type of connection

Directly to mains

Yes No

0-10 V signal (EC motor)

via contactor control

Transformer

Frequency converter

Sinus filter

Shielded cables

Motor protection

Motor protection switch or motor protection relay

Yes No

PTC resistor

Resistance value [Ω]:

Thermal contact

Electrical motor protection

Others:

Functional check

Impeller easily rotatable (by hand)

Yes No

Rotation direction acc. to directional arrow

Smooth running without unusual noise/
vibrations

Nominal data - Fan (name plate on fan housing)

Voltage [V]:

Current [A]:

Frequency [Hz]:

Power [kW]:

Fan impeller speed [rpm]:

Measured data at commissioning

Voltage [V]:

Temp. of transported air [$^{\circ}\text{C}$]:

Current L1 [A]*:	Fan impeller speed [rpm]:
Current L2 [A]:	<i>"Air volume", "Differential pressure" not necessary for Jet fans</i>
Current L3 [A]:	Air volume [m ³ /s]:
	Differential pressure [Pa]*:
<small>*For single-phase fans, fill in line "Current L1 [A]"</small>	<small>*Δ- Pressure between suction-side and discharge of the fan</small>

If an air flow measurement is not possible, this value can be calculated using the following formula:

_____	X	_____	=	_____
Duct cross-section [m ²]		Flow speed [m/s] <small>Grille measurement acc. to VDI 2044</small>		Air volume [m ³ /s]:

	Yes	No
Commissioning of the fan successful?	<input type="checkbox"/>	<input type="checkbox"/>

Date, installer's signature

Date, operator's signature



Systemair GmbH
Seehöfer Str. 45
97944 Boxberg
Germany

Tel.: +49 (0)7930/9272-0
Fax: +49 (0)7930/9273-92

info@systemair.de
www.systemair.de