

T 1200SW



SPEAKER - 8" - 4+4 OHMS

The 8" T 1200SW is the perfect subwoofer for lovers of powerful and impactful bass. With the capacity to support 600 WRMS and up to 1200 Watts in musical program, this subwoofer provides an immersive sound experience, with deep and clearly defined bass. Its cellulose cone and foam border ensure not only exceptional performance but also superior durability. The T 1200SW is available in two dual coil versions (D2 and D4), offering greater amplifier compatibility and flexibility when building your sound system. Choose between white or black frame options to customize the look of your project.

Elevate your listening experience with the powerful T 1200 SW from Taramps.

ELECTRICAL PARAMETERS

RMS POWER	300 + 300 W
MUSICAL PROGRAM POWER	600 + 600 W
NOMINAL IMPEDANCE	4+4 Ohms
RESISTANCE (RE)	2,8 + 2,8 Ohms/VCC
NO (EFFICIENCY REFERENCE)	0,15 %
SENSITIVITY (@ 1W, 1m)-Free-Air	83,826 dB
DIAPHRAGM MASS (MMD)	62,212 g
TOTAL MASS (MMS)	63,945 g
BL PRODUCT	12,350 TM
MECHANICAL Q (Qms)	7,682
ELECTRIC Q (Qes)	0.899
TOTAL Q (Qts)	0,805
COMPLIANCE (CMS)	119,678u M/N
EQUIVALENT VOLUME (VAS)	7,400 L
FREQUENCY RESPONSE	35Hz to 2500z
RESONANCE FREQUENCY	57,532Hz
Le @ 1 kHz (coil inductance at 1kHz)	0,953 mH
EFFECTIVE CONE AREA (SD)	0,0208 M²
CONE EXCURSION WITHOUT DISTORTION (X MAX)	+ - 13 mm
FLOW DENSITY IN THE GAP	10.000 GAUSS

Thiell-Small parameters are obtained after applying a sinusoidal level of 50hz for a period of 30 minutes. A tolerance of + - 15% on the specified values is allowed.

MECHANICAL PARAMETERS

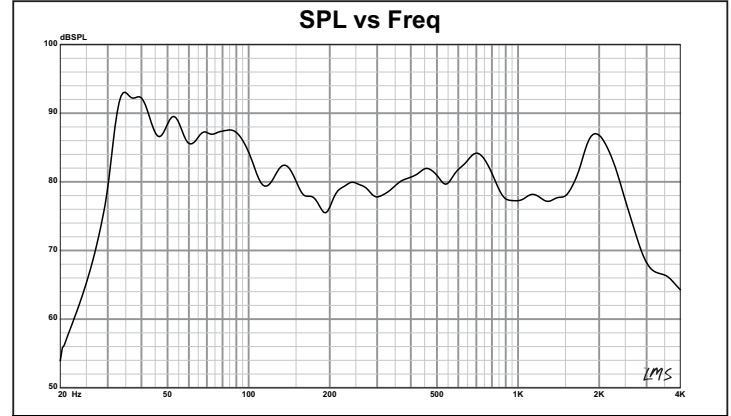
NOMINAL DIAMETER	8 Inches
FERRITE MEASURES	134 X 56 x 32mm
COIL DIAMETER	2 Inches
COIL HEIGHT	29 mm
COIL WIRE MATERIAL	Copper
COIL WIRE SECTION	Round
COIL SHAPE	*Kapton
GAP HEIGHT	9 mm
HOUSING MATERIAL	Aluminium
FERRITE MATERIAL	Barium
WEIGHT	5,376 Kg
VOLUME OCCUPIED ON THE CABINET	1,581 Liters
CONNECTOR TYPE	Post

* Kapton trademark registered by DUPONT

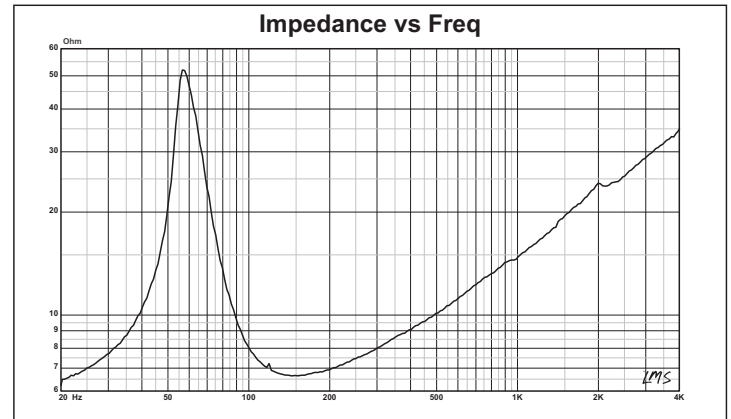
CABINETS SUGGESTION

MODEL	VOLUME	DUCTS	DUCTS	DUCTS	SINTONY	(H.P.F)	ATTENUATION
	LITERS	QUANT.	DIAM.	DEPTH			
VENTED BOX	28	02	3"(POL)	550 mm	41 Hz	30 Hz	12 dB/ Octave
	28	02	3"(POL)	450 mm	45 Hz	30 Hz	12 dB/ Octave

NOTE: Features, specifications and appearance are subject to change without notice.

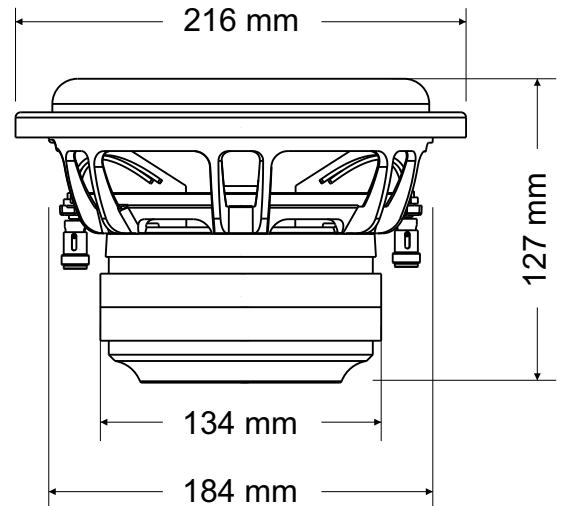


Response curve in a 28l box tuned to 41 Hz in an anechoic chamber, 1W / 1M.



Impedance curve Free-Air.

PRODUCT DIMENSIONS



T 1200SW



SPEAKER - 8" - 2+2 OHMS

The 8" T 1200SW is the perfect subwoofer for lovers of powerful and impactful bass. With the capacity to support 600 WRMS and up to 1200 Watts in musical program, this subwoofer provides an immersive sound experience, with deep and clearly defined bass. Its cellulose cone and foam border ensure not only exceptional performance but also superior durability. The T 1200SW is available in two dual coil versions (D2 and D4), offering greater amplifier compatibility and flexibility when building your sound system. Choose between white or black frame options to customize the look of your project.

Elevate your listening experience with the powerful T 1200 SW from Taramps.

ELECTRICAL PARAMETERS

RMS POWER	300 + 300 W
MUSICAL PROGRAM POWER	600 + 600 W
NOMINAL IMPEDANCE	2+2 Ohms
RESISTANCE (RE)	1,5 + 1,5 Ohms/VCC
NO (EFFICIENCY REFERENCE)	0,19 %
SENSITIVITY (@ 1W, 1m)-Free-Air	84,751 dB
DIAPHRAGM MASS (MMD)	60,391 g
TOTAL MASS (MMS)	62,124 g
BL PRODUCT	9,556 TM
MECHANICAL Q (Qms)	8,297
ELECTRIC Q (Qes)	0.74
TOTAL Q (Qts)	0,68
COMPLIANCE (CMS)	125,684u M/N
EQUIVALENT VOLUME (VAS)	7,771 L
FREQUENCY RESPONSE	35Hz to 2500z
RESONANCE FREQUENCY	56,958Hz
Le @ 1 kHz (coil inductance at 1kHz)	0,652 mH
EFFECTIVE CONE AREA (SD)	0,021 M²
CONE EXCURSION WITHOUT DISTORTION (X MAX)	+ - 13 mm
FLOW DENSITY IN THE GAP	9300 GAUSS

Thiell-Small parameters are obtained after applying a sinusoidal level of 50hz for a period of 30 minutes. A tolerance of + - 15% on the specified values is allowed.

MECHANICAL PARAMETERS

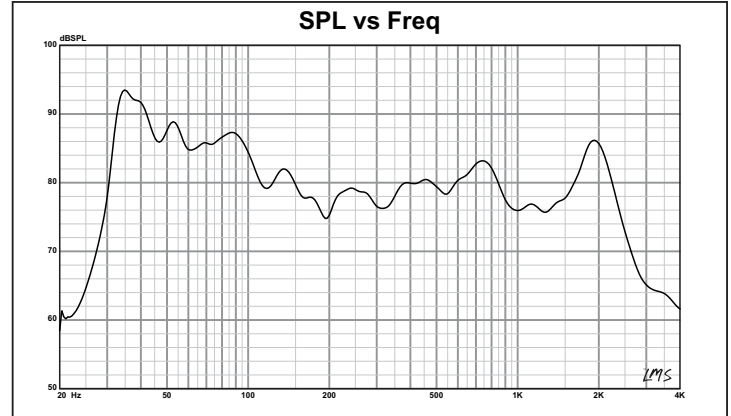
NOMINAL DIAMETER	8 Inches
FERRITE MEASURES	134 X 56 x 32mm
COIL DIAMETER	2 Inches
COIL HEIGHT	29 mm
COIL WIRE MATERIAL	Copper
COIL WIRE SECTION	Round
COIL SHAPE	*Kapton
GAP HEIGHT	9 mm
HOUSING MATERIAL	Aluminium
FERRITE MATERIAL	Barium
WEIGHT	5,376 Kg
VOLUME OCCUPIED ON THE CABINET	1,581 Liters
CONNECTOR TYPE	Post

* Kapton trademark registered by DUPONT

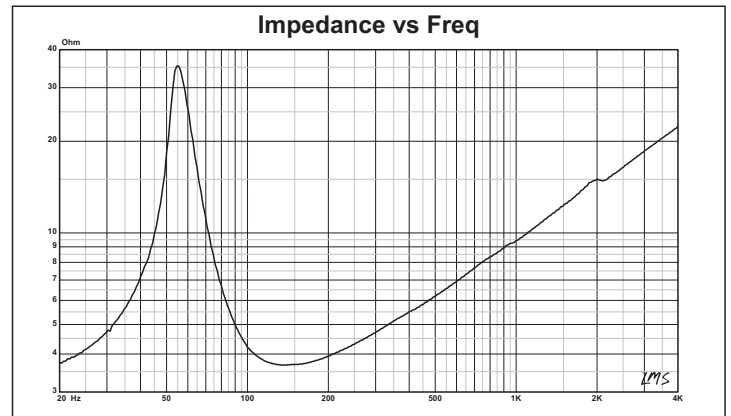
CABINETS SUGGESTION

MODEL	VOLUME	DUCTS	DUCTS	DUCTS	SINTONY	(H.P.F)	ATTENUATION (ACTIVE)
	LITERS	QUANT.	DIAM.	DEPTH			
VENTED BOX	28	02	3"(POL)	550 mm	41 Hz	30 Hz	12 dB/ Octave
	28	02	3"(POL)	450 mm	45 Hz	30 Hz	12 dB/ Octave

NOTE: Features, specifications and appearance are subject to change without notice.



Response curve in a 28l box tuned to 41 Hz in an anechoic chamber, 1W / 1M.



Impedance curve Free-Air.

PRODUCT DIMENSIONS

