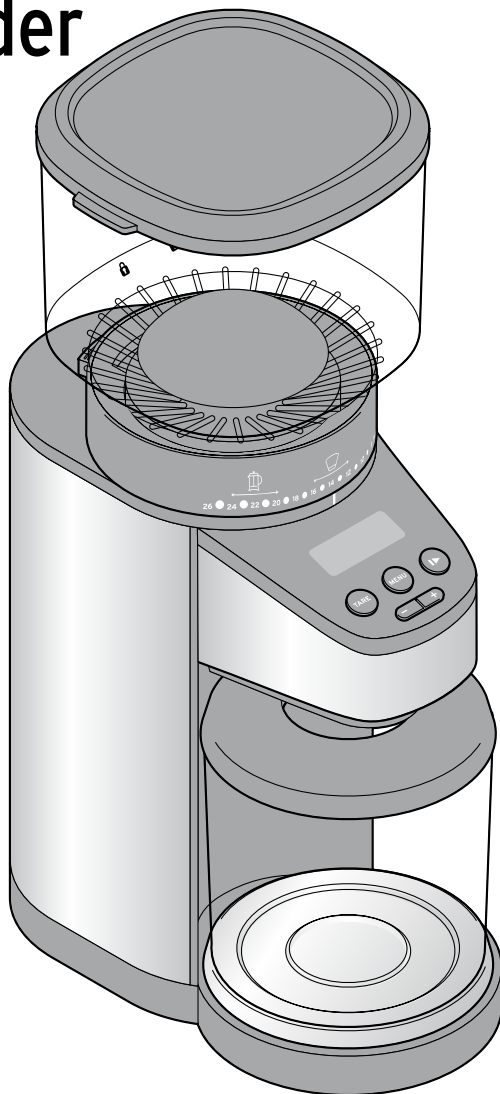


Tchibo

Coffee Grinder



en Instructions for use and warranty

Tchibo GmbH D-22290 Hamburg · 118738ABXX1 · 2026-02

Dear Customer

Your new electric coffee grinder allows you to grind fresh coffee when you need it. This way the precious flavours are preserved in the coffee beans until the coffee is made.

The coffee grinder has a grinding mill which prepares the powder in a way that gently preserves the flavours.

The grinding degree can be adjusted from coarse to very fine, depending on whether you want to make an espresso, or prepare your coffee in a coffee machine or cafetière. You can grind coffee for one to twelve cups in one go.

Thanks to the built-in and precise scales, you can work out the exact amount of coffee required for your personal taste.

We hope you enjoy using your new coffee grinder.

Your Tchibo Team



www.tchibo.de/instructions

Contents

| | | | |
|----------|--|-----------|--|
| 3 | The art of coffee | 14 | Cleaning |
| 4 | About these instructions | 14 | Taking the appliance apart and cleaning it |
| 4 | Safety warnings | 15 | Assembling the appliance |
| 7 | At a glance (delivery contents) | 17 | Problems / solutions |
| 8 | Preparation | 17 | Reset |
| 8 | Setting the grinding degree | 18 | Technical specifications |
| 8 | Pouring in beans | 18 | Disposal |
| 9 | Grinding coffee | 19 | Warranty |
| 9 | Preparing the grinder for use | | |
| 9 | Selecting the amount of coffee according to the number of cups | | |
| 10 | Selecting the amount of coffee by weight | | |
| 12 | Determining the amount of coffee manually | | |
| 12 | Removing coffee | | |
| 13 | Tare function | | |

The art of coffee

The quality of the beans

The freshness of the coffee beans is the basis for an incomparable taste. Therefore, always use fresh beans.

Storing beans

Do not fill too many beans into the container, but rather pour in smaller amounts from time to time so that the beans do not lose their flavour.

Retain the aroma of the remaining beans by keeping them in an airtight, opaque container in the fridge. The beans will stay fresh for up to 3 weeks. They can also be frozen and stored in the freezer for up to 3 months.

Storing coffee powder

Only ever grind enough coffee powder to prepare the amount of coffee you require. Do not keep the coffee powder in the gathering container for longer than 24 hours. If you happen to have excess coffee powder, store it in a cool and dry place in an airtight container.

The right grinding degree

Note the following as a rule of thumb: The finer the grinding degree, the less time the coffee powder should be in contact with the water, or vice versa: the coarser the grinding degree, the longer the contact time. For this reason, espresso makers require very finely ground powder, whereas filter coffee machines and hand filters require a medium grinding degree, and cafetières and cold brew/cold drip coffee makers require a coarse grind. If fine coffee powder were to be in contact with hot water for a long time, as is the case with filter machines and cafetières, it would give the coffee a bitter taste.

To determine the suitable grinding degree for your coffee, refer to the corresponding symbols on the grinding degree ring and preferably start with the respective medium setting. Then, if necessary, adjust the grinding degree by 1-2 levels at a time until you have found your preferred setting.

Keep in mind that, as well as the type of coffee and method of preparation, the hardness of the water and the temperature used to brew the coffee also determine the taste.

About these instructions

This product is equipped with safety features. Nevertheless, read the safety warnings carefully and only use the product as described in these instructions to avoid accidental injury or damage.

Keep these instructions for future reference. If you pass this product on to someone else, remember to give them these instructions.

Symbols used in these instructions:



This symbol warns you of the danger of injury.



This symbol warns you of the danger of injury due to electricity.

The term **DANGER** warns you about the risk of severe injuries and danger to life.

The term **WARNING** warns you about the risk of injury and severe material damage.

The term **CAUTION** warns you about the risk of slight injuries or damage.



This is how supplementary information is shown.

Safety warnings



Intended use

- The coffee grinder is intended for grinding coffee beans. It has been designed for producing household quantities. The coffee grinder is not suitable for use in staff kitchens in commercial industries, agricultural premises or by customers in hotels, motels or bed and breakfast establishments. It is also not suitable for commercial purposes.

The coffee grinder is intended for use in dry indoor rooms only.

DANGER to children and people with a restricted capability of using appliances

- The appliance must not be used by children. Keep the appliance and its mains cable out of the reach of children. Children must not be allowed to play with the appliance.
- This appliance can be used by persons with limited physical, sensory or mental capabilities, or who lack the requisite experience or knowledge, provided they are supervised or have been trained in the safe use of the appliance and understand the potential dangers.
- Keep the packaging material away from children. It poses several risks, including the risk of suffocation!

DANGER due to electricity

- Never immerse the coffee grinder or its plug in water; this poses a risk of electric shock.
- Never leave the coffee grinder unattended while it is in operation.
- Only connect the appliance to a properly installed, earthed power socket whose voltage corresponds to the technical specifications of the appliance.
- If you need to use an extension lead, it must correspond to the "Technical specifications". Seek advice in a specialist shop when buying an extension lead.

- Disconnect the mains plug from the power socket...
 - ... if malfunctions occur during use,
 - ... after use,
 - ... if you leave the appliance unattended,
 - ... before placing the coffee bean container on or removing it from the appliance,
 - ... during thunderstorms,
 - ... before cleaning the appliance.
 Always pull on the plug, not the mains cable.
- The power socket used must be within easy reach so that the mains plug can be removed quickly if necessary. Lay the mains cable in such a way that nobody can trip over or get caught in it, leading to the appliance falling over.
- The mains cable must not be kinked or squeezed. Keep the mains cable away from hot surfaces and sharp edges.
- Do not use the appliance if the appliance itself or the mains cable show visible signs of damage or if the appliance has been dropped before.
- Do not make any modifications to the product or replace the mains cable yourself. Only have repairs to the appliance or mains cable carried out by a specialist workshop or contact our customer care service. Improper repairs can result in considerable danger to the user.

WARNING – risk of injury

- Rotating parts can cause cuts and contusions. Never use the coffee grinder without the gathering container or without the lid on the coffee bean container. Keep hands away from the grinding mill whilst the machine is in use. Do not put your hands or any objects into the coffee bean container while the machine is grinding. Take extra care when cleaning the grinding mill. Never reach into the openings of the appliance whilst it is still connected to the power supply. Always pull out the mains plug before trying to eliminate any blockages or before cleaning the appliance.

- For detailed information about cleaning the product, please refer to the section “Cleaning”.
- Improper use of the appliance can lead to injuries.

CAUTION – material damage

- The appliance is designed for short-time operation only. After an operating time of 2 minutes, allow the appliance to cool off for 10 minutes.
- Place the appliance on a solid, even surface which can be easily cleaned and is easily accessible.
- Keep the appliance far enough away from sources of heat, e.g. hobs and ovens.
- Do not use any caustic, aggressive or abrasive products for cleaning.
- Only use the original accessories (this does not apply to collecting the ground coffee powder).
- Only grind coffee with the coffee grinder. Attempting to grind anything else could destroy the appliance.
- Check the coffee bean container for foreign bodies prior to every use.
- Do not let the grinding mill run empty.
- Do not overload the scales. The maximum total weight of 1 kg must not be exceeded!
- Do not place any items on the scales except the gathering container and for the purpose of weighing.
- Do not subject the product to extreme fluctuations in temperature, moisture, direct sunlight, dust, strong impacts or jolts. The sensitive measuring technology used in these scales could otherwise become damaged.
- Some varnishes, plastics or types of furniture polish may react adversely to the material of the non-slip feet and soften them. For this reason, place a non-slip base underneath.

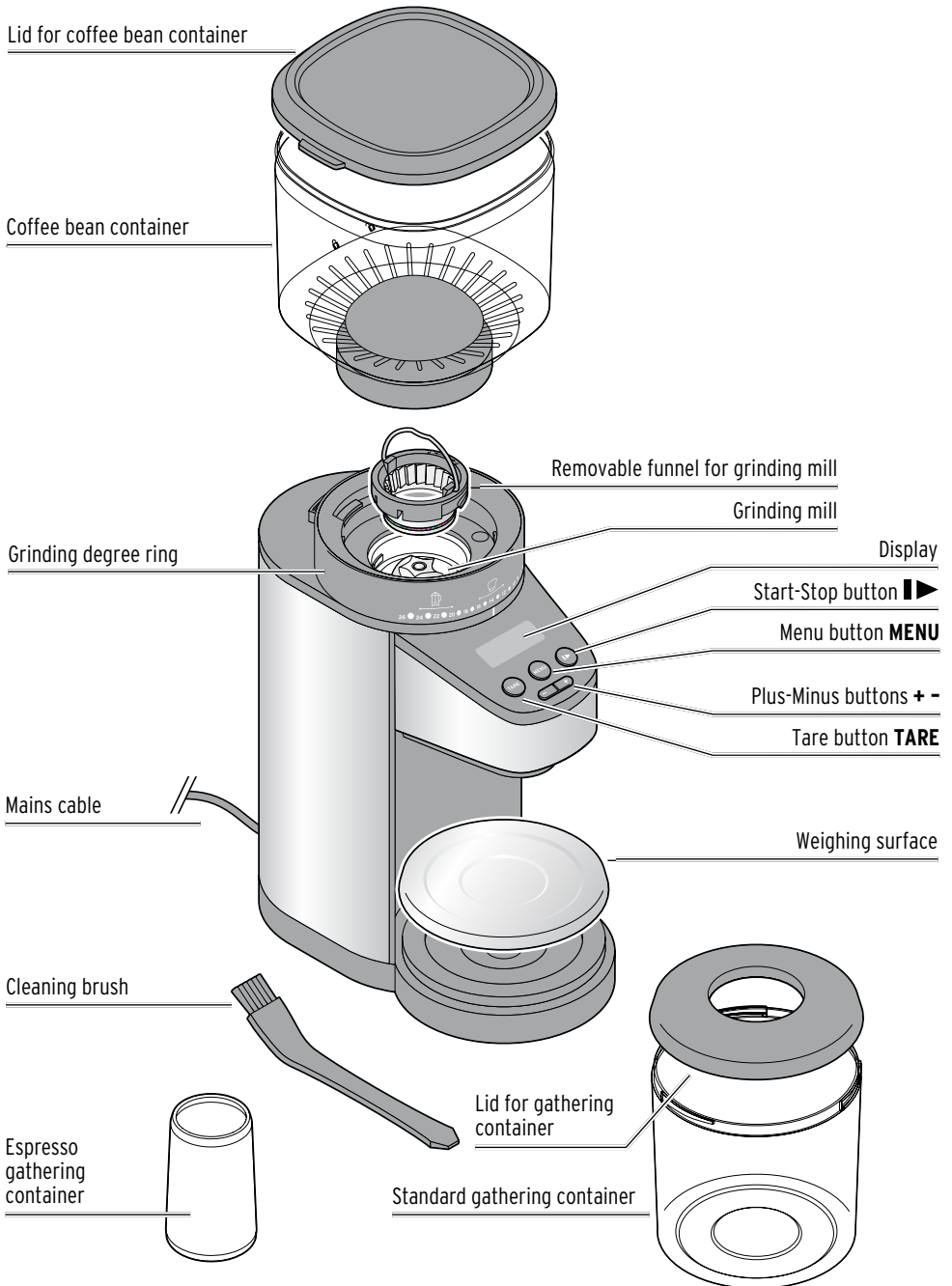
CAUTION - malfunction

- Keep the built-in scales away from devices that emit strong electromagnetic fields such as radio-controlled appliances, mobile phones, etc. These can lead the scales to malfunction, causing incorrect values to be displayed. If the scales have been exposed to interference and/or display incorrect data, carry out a reset (see section "Problems / solutions") and place the appliance somewhere else. The scales are then ready for use again.

Safety feature

- The appliance is fitted with a cut-out switch which automatically switches off the appliance if it overheats. If this happens, disconnect the mains plug and allow the appliance to cool for approx. 1 hour before using it again. Press the **■▶** button to activate the appliance if necessary.
- To prevent damage caused by accidental resetting of the cut-out switch, the appliance must not be used with a time switch or a separate remotely controlled system.

At a glance (delivery contents)



Preparation



DANGER -

risk of fatal electric shock

- Never immerse the coffee grinder or its plug in water, as this poses a risk of electric shock.



WARNING - risk of injury

- Disconnect the mains plug before cleaning the appliance.

- ▷ To remove any residues caused by production, clean the coffee grinder before using it for the first time (see section "Cleaning").

Setting the grinding degree

CAUTION - material damage

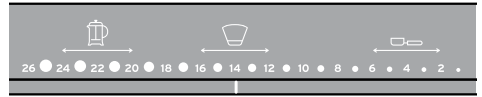
- If there are already coffee beans in the coffee bean container, only adjust the grinding degree whilst the grinding mill is running. Otherwise, beans can get jammed between the grinding discs and block the motor.




The grinding degree setting can only be found on the grinding degree ring. It is not shown on the display.


- ▷ Set the required grinding degree gradually to between **1** (fine) and **26** (coarse) **before** pouring in coffee beans. This prevents individual beans from getting jammed in the grinding mill.

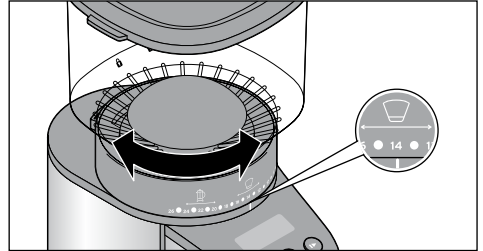
The following figures are only guidelines to give you some orientation. Try out which grinding degree corresponds best to your own taste and way of preparing coffee.



 **1 - 6** = fine powder; suitable for espresso

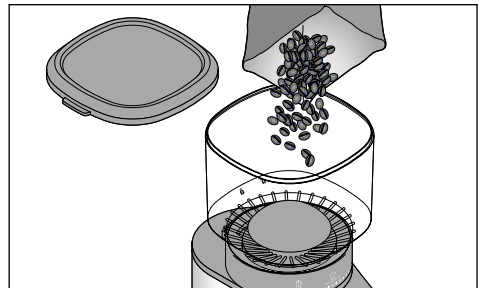
 **6 - 14** = medium-fine powder; suitable for preparing household filter coffee

 **16 - 26** = coarse powder; suitable for preparing coffee in a French press / cafetière



- ▷ Turn the whole coffee bean container on the grinding degree ring until the required grinding degree corresponds to the marking on the front of the machine casing.

Pouring in beans



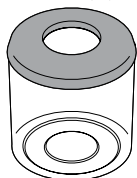
1. Remove the lid from the coffee bean container.
2. Fill the coffee beans into the coffee bean container.
3. Replace the lid.

i The max. filling capacity of the coffee bean container is approx. 400 g of coffee beans. The (standard) gathering container for coffee powder holds 100 g. Make sure you empty the gathering container in good time.

Grinding coffee

Preparing the grinder for use

We have provided two gathering containers for collecting ground coffee:



The standard gathering container can hold a larger amount of coffee powder and is therefore suitable for preparing filter coffee or if using a French press, etc.



The espresso gathering container is specifically designed for measuring out and dispensing coffee powder for a portafilter.

1. Make sure that the coffee bean container has clicked into place properly, that the gathering container of your choice is inserted, and that both lids are closed properly.

i To avoid injuries caused by the rotating grinding mill, a safety switch prevents the motor from switching on when the coffee bean container is not mounted or has been mounted incorrectly.

2. Insert the mains plug into the socket.

The appliance will switch on immediately and is ready for use after a few seconds.

The first time it switches on, the default grinding amount for 1 cup will be shown on the display.



After this, the previously selected setting will be retained every time the machine is switched on.

i The coffee grinder determines the amount of coffee both based on the "number of cups" and based on "weight" using the built-in scales.

To ensure the scales remain correctly calibrated, you should ideally reset them to zero **every** time before you grind, and always set them to zero before using the machine for the first time and before using a different gathering container.

3. Press **TARE** to calibrate the scales.

i After approx. 2 minutes of not pressing any buttons, the appliance will switch automatically to stand-by mode. Press any button to re-activate the appliance.


To grind the required amount of coffee, you can select between 3 variants:

- according to the number of cups
- according to weight (built-in scales)
- manually (count function)

Selecting the amount of coffee according to the number of cups

When set to a medium grinding degree setting, the coffee grinder produces about 7 g of coffee per cup, depending on the type of coffee used.



1. Press the **MENU** button until the cup symbol  and **1** are shown on the display.
2. Press the **+** or **-** buttons to select the required number of cups - up to a maximum of 12. Hold the button down to run through the numbers more quickly.

3. Press the **▶** button to start grinding.


The number of cups will be counted on the display during grinding.

Once the grinding process has finished, the number of cups ground will be displayed.

4. Empty the gathering container before grinding more coffee. Otherwise the grinding process will not start.

▷ If you would like to increase the amount of coffee once the grinding process has finished, increase the number of cups by pressing the **+** button and restart the grinding process by pressing **▶**.
(Example: You had set the grinder to 3 cups and ground this amount, but would now like to increase the amount to 5 cups: 2 cups extra will be ground.)

▷ You can also interrupt the grinding process any time by pressing the **▶** button. You can then use the **+** or **-** buttons to adjust the amount required. However, it is not possible to set the number of cups to below the currently measured value. In this case, the **-** button will not work. Press the **▶** button again to resume the grinding process. If you remove the coffee powder beforehand, the grinding process will be reset and will start again from the beginning.

 The number of cups cannot be changed during the grinding process.


Error messages:



If the coffee bean container runs empty during the grinding process,

the grinding mill will stop after a few seconds and **ERR** will appear on the display. Add more coffee beans and press **MENU** to resolve the problem. Empty the gathering container, press **TARE** and restart the grinding process.



The warning symbol  will appear on the display ...

- ... if you remove the gathering container (the scales measure a negative weight).
- ... if you use a different gathering container to the one provided (weight differs to the default setting). If using a different container, note that you must not exceed the maximum permissible weight of 1 kg for the scales (incl. coffee powder).
- ... if the scales weigh an incorrect value for any other reason, e.g. because there is already coffee powder in the gathering container which weighs more than the set number of cups.

In any of these cases, empty the gathering container if necessary and set the scales to zero by pressing the **TARE** button (see section "Tare function").

Or you can increase the set number of cups and then begin.

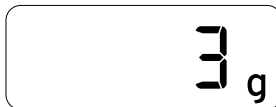
Selecting the amount of coffee by weight

The average amount of coffee per cup is approx. 7-9 g.

Depending on taste, the method of preparation, type of coffee and, most importantly, the size of the cup, you can determine the exact amount for your coffee.

If, for example, the coffee was too weak when using the default amount based on the number of cups, calculate about 1-2 g more coffee powder per cup and slowly make your way to your perfect amount of coffee.

You can select from 3-100 g.



1. Press the **MENU** button until 3 g (grams) are shown on the display.

2. Press the **+** or **-** button to select the required weight - up to a maximum of 100 g.
3. Press the **▶** button to start the grinding mill.

The currently measured weight is shown on the display during grinding.

Once the grinding process has finished, the previously set weight will be displayed.

4. Empty the gathering container before grinding more coffee.

Note: If the weight measured is heavier or the same as the set weight, the grinding process cannot be started.

If you would like to grind more coffee into powder that is already in the gathering container, you have 2 options:

- ▷ Press **TARE** to set the scales to zero, enter the additional amount you require and start the grinding process.
(Example: You have ground 30 g of coffee. You set the scales to zero and grind another 30 g. This will give you a total of 60 g.)
- ▷ Press the **+** button to enter a higher weight and start the grinding process. The difference will be ground and added to the previously ground coffee.
(Example: You have ground 30 g of coffee. You now set the grinder to 60 g and start the grinding process. The coffee grinder grinds an additional 30 g and adds it to the previous 30 g. This will give you a total of 60 g.)
- ▷ You can also interrupt the grinding process any time by pressing the **▶** button. You can now use the **+** or **-** buttons to adjust the amount required. Press the **▶** button again to resume the grinding process. However, you cannot set the weight to below the currently measured value. In this case, the **-** button will not work.

If you have emptied the gathering container during grinding or have pressed **TARE**, the scales will be reset and when you restart the coffee grinder, the entire grinding process will start from the beginning with the previously set value.


Error messages:



If the coffee bean container runs empty during the grinding process,

the weight that has already been reached will flash for a few seconds. The grinding mill will then stop and **ERR** will appear on the display. Add more coffee beans and press **MENU** to resolve the problem. Empty the gathering container, press **TARE** and restart the grinding process.




The warning symbol  will appear on the display ...

- ... if you remove the gathering container (the scales measure a negative weight).
 - ... if you use a different gathering container to the one provided (weight differs to the default setting). If using a different container, note that you must not exceed the maximum permissible weight of 1 kg for the scales (incl. coffee powder).
 - ... if the scales measure an incorrect value for any other reason, e.g. because there is already coffee powder in the gathering container which weighs more than the set weight.
- In any of these cases, empty the gathering container if necessary and set the scales to zero by pressing the **TARE** button (see section "Tare function"). Or you can increase the set weight and then start.

Determining the amount of coffee manually

If you want to decide the amount of coffee ground, or to collect the coffee powder directly in the portafilter handpiece of your espresso machine, you can use the manual function with its timer feature.



1. Press the **MENU** button until the portafilter symbol  and **0** are shown on the display.
2. Press the **▶** button to start grinding.

The elapsed time is shown on the display during grinding.

As soon as you have ground enough coffee powder, press **▶** again to end the grinding process.

If you do not end the grinding process, it will stop automatically after approx. 60 seconds.



If applicable, note the time shown so that you are able to produce the same amount of coffee powder when you start the appliance manually the next time.

Removing coffee

Standard gathering container

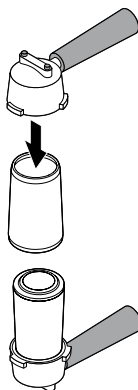
1. Remove the gathering container from the appliance.
2. Tap it lightly to release any coffee powder that has stuck to the sides and lid.



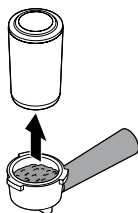
3. Turn the lid anticlockwise slightly and take it off.
4. Pour the coffee powder into your filter machine, cafetière or portafilter.

Espresso gathering containers

1. Remove the gathering container from the appliance.
2. Place the portafilter upside down onto the gathering container.



3. Hold the portafilter and gathering container together and flip them over.



4. Gently tap the gathering container to loosen any coffee powder stuck to the sides and lid. Pull the gathering container upwards to remove it.




Do not leave surplus coffee powder in the gathering container. We recommend storing surplus powder in the fridge in an airtight, sealed container. This helps it stay fresh for longer.

And now we hope you enjoy your fresh, aromatic coffee.

Tare function

The built-in scales of the coffee grinder are factory-set to the standard gathering container provided.

Avoid measuring errors by pressing **TARE** every time before you grind to calibrate the scales. This ensures that the scales do not include the weight of the container when weighing.

If you use another container or would like to grind more coffee after the grinding process has already finished, the warning symbol  may appear on the display. Grinding cannot be started if the scales have not been set to zero beforehand (see sections "Error messages" in the previous chapters).

- ▷ To set the scales to zero, press **TARE** once the container is inserted.

The warning symbol will disappear and **O** will be shown briefly on the display.

Cleaning



DANGER -

risk of fatal electric shock

- Remove the mains plug from the power socket before cleaning the appliance.
- The appliance must not be subjected to moisture. Protect it against drops and splashes of water.

CAUTION - material damage

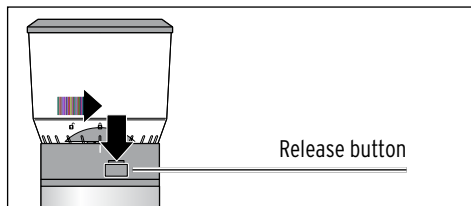
- Do not use any caustic, aggressive or abrasive products for cleaning.


Taking the appliance apart and cleaning it

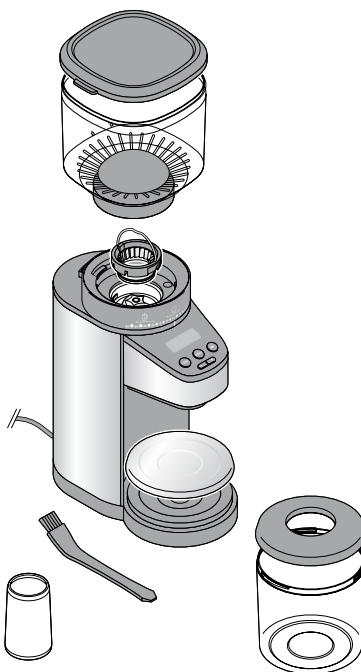
1. Remove the mains plug from the power socket.
2. Remove the gathering container from the appliance and twist the lid anticlockwise slightly to take it off.
3. Remove the weighing surface from the appliance.
4. Clean the parts in warm water with a few drops of washing-up liquid and dry them carefully before using them again.

Removing the coffee bean container

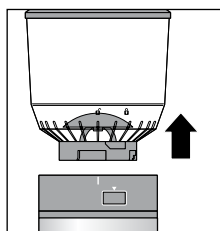
You can take off the coffee bean container even if there are still beans inside. The container automatically closes the opening below when it is removed.



1. Press the release button on the grinding degree ring downwards and twist the coffee bean container anticlockwise until the marking is pointing towards the lock symbol .



Overview

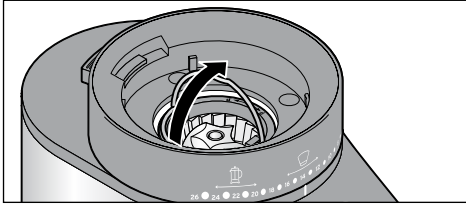


2. Pull the coffee bean container upwards and off.
3. Remove the lid.
4. Empty the coffee bean container if necessary. Clean the container and lid in warm water with a mild washing-up liquid. You must allow the coffee bean container to **dry completely** before refilling it with coffee beans!

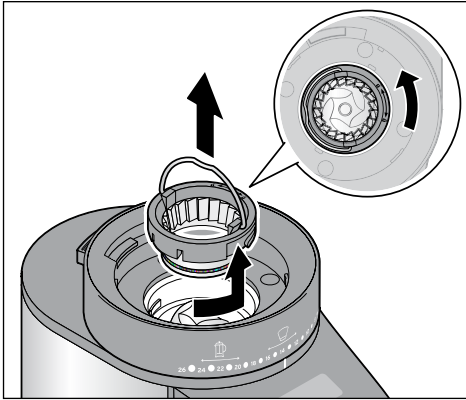
Cleaning the grinding mill

▷ Sweep out the grinding mill with the cleaning brush provided.

To clean the grinding mill thoroughly and to remove any jammed coffee beans or foreign bodies, take out the removable funnel as follows:



1. Fold up the handle.

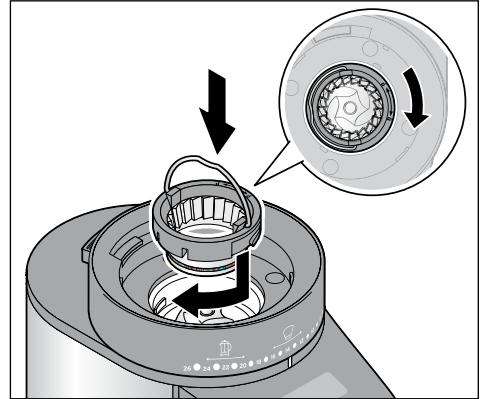


2. Using a little force, turn the funnel anticlockwise until you feel it unlock and are able to pull it up and out.
3. Clean the inside of the grinding mill with the cleaning brush. Remove any foreign bodies or jammed coffee beans.
4. Wipe the casing of the appliance with a damp cloth and dry with a soft, lint-free cloth.

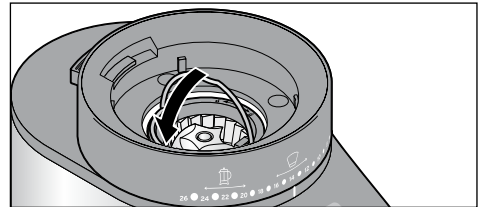
Assembling the appliance

To assemble the appliance correctly, remove all leftover beans from the grinding mill. All parts must be **completely dry** before you put the appliance back together.

Insert the grinding mill

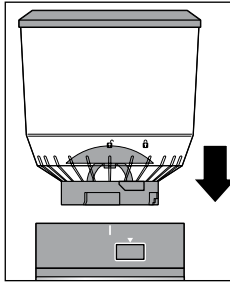



1. Insert the funnel into the grinding mill. It only fits in a particular direction. Pay attention to the flattened side section on the funnel; it must match the protruding part in the grinding mill.
2. Turn the funnel clockwise slightly until you hear and feel it click into place.




3. Fold down the handle.

Inserting the coffee bean container



1. Place the coffee bean container on the appliance. The marking on the coffee bean container must be pointing towards the lock symbol .



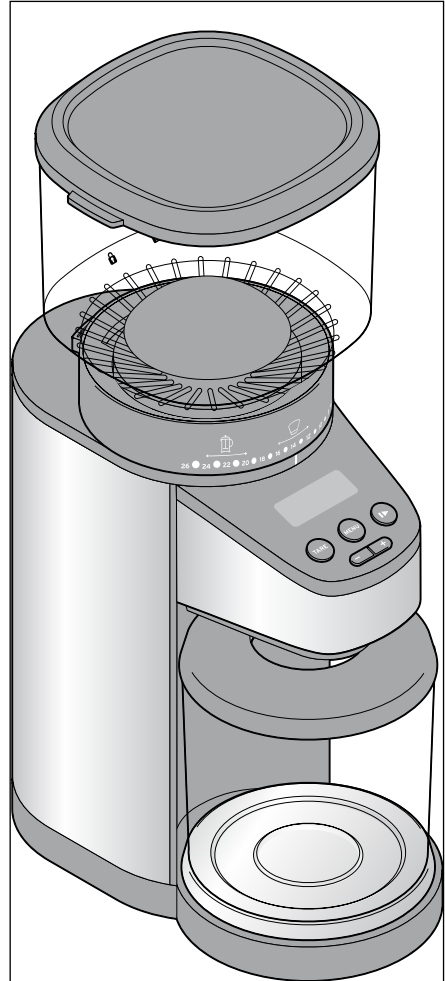
2. Press the release button on the grinding degree ring downwards and twist the coffee bean container clockwise until the marking is pointing towards the lock symbol .



You must hear the coffee bean container click into place in this position. To avoid injuries caused by the rotating grinding mill, a safety switch prevents the motor from switching on when the coffee bean container is not mounted or has been mounted incorrectly.

Finally...


1. Insert the weighing surface.
2. Place the lid on the gathering container and twist it clockwise until tight.
3. Place the gathering container on the weighing surface.



Your coffee grinder can now be used again.

Problems / solutions

| | |
|----------------|--------------------------------------|
| • Not working. | • Is the coffee grinder plugged in?? |
|----------------|--------------------------------------|

| | |
|---|--|
| • The grinding process will not start / the appliance is not producing any coffee powder. | <ul style="list-style-type: none">• Is the coffee bean container correctly fitted and locked into position?• Is Err shown on the display? The coffee bean container is empty. Add more coffee beans.• Are coffee beans or foreign bodies blocking the grinding mill? Switch off the grinding mill and clean it. Always make sure that no foreign bodies get into the grinding mill. These could otherwise cause damage.• Is the warning symbol  being shown?<ul style="list-style-type: none">- There is already coffee powder in the gathering container - and more than the set amount. Empty the container or press TARE to set the scales to zero.- You are using another container to gather the coffee powder. Press TARE to set the scales to zero. |
|---|--|

| | |
|---|--|
| • The appliance stops unexpectedly during grinding. | <ul style="list-style-type: none">• Is the plug still connected to the socket?• Is a foreign body or coffee bean blocking the grinding mill? Clean the grinding mill.• Is Err shown on the display? The coffee bean container is empty. Add more coffee beans.• Appliance overheated (display shows EO1) - e.g. if you start too many lengthy grinding processes immediately after one other. Allow the appliance to cool for approx. 1 hour.• If none of these methods help, contact our customer care service. |
|---|--|

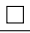
| | |
|--|--|
| • The grinding degree ring cannot be turned. | <ul style="list-style-type: none">• Is the coffee bean container fitted correctly onto the grinding degree ring?• Are coffee beans or foreign bodies blocking the grinding mill? Clean the grinding mill. |
|--|--|

| | |
|--|--|
| • The Err message appears on the display. | <ul style="list-style-type: none">• Is the coffee bean container fitted and sealed correctly?• Is the coffee bean container empty?• Are coffee beans or foreign bodies blocking the grinding mill? Switch off the grinder and clean the grinding mill. Always make sure that there are no foreign bodies in the grinding mill. These could otherwise cause damage. |
|--|--|

Reset

If the scales are clearly showing incorrect values, reset them by pulling the mains plug out of the socket for a few seconds. Move the appliance to another location if necessary.

Technical specifications

| | |
|--------------------------------|--|
| Model: | 622 316 |
| Mains voltage: | 220-240 V ~ 50-60 Hz |
| Protection class: | II  |
| Power: | 160 W |
| Power consumption in off mode: | 0.5 W |
| Sound power level: | ≤ 82 dB(A) |
| Capacity | |
| Coffee bean container: | max. 400 g |
| Standard gathering container: | max. 100 g |
| Scales | |
| Measurement range: | 3 - 100 g |
| Weighing accuracy: | +/- 3 g |
| Ambient temperature: | +10 to +40 °C |
| Made exclusively for: | Tchibo GmbH, Überseering 18, 22297 Hamburg, Germany |

In the course of product improvement, we reserve the right to make technical and visual modifications to the product.



Disposal

The product and its packaging have been manufactured from valuable materials that can be recycled. Recycling reduces the amount of refuse and helps to preserve the environment.

Dispose of the **packaging** in the proper manner. Make use of the local facilities provided for collecting paper, cardboard and lightweight packaging.



Appliances marked with this symbol must not be disposed of along with household waste!

You are legally obliged to dispose of old appliances separately from household waste. Electronic appliances contain hazardous substances and, if stored or disposed of improperly, can cause harm to health and the environment. Information about collection points where old appliances can be disposed of free of charge is available from your local authorities.

Warranty

Tchibo GmbH grants a **two-year warranty** from the date of purchase.

Tchibo GmbH, Überseering 18, 22297 Hamburg, Germany

We will remedy all defects in workmanship or materials **within the warranty period**. In order for the warranty to be granted, all warranty claims must be accompanied by proof of purchase from Tchibo or from an authorised Tchibo distribution partner. This warranty is valid within the EU, Switzerland and Turkey.

The warranty does not cover worn parts, consumables, or damage resulting from improper use or inadequate descaling. Parts and consumables can be ordered from our customer care service.

This warranty does not restrict **statutory warranty rights**. Statutory warranty rights can be asserted free of charge.

Service and repair

If, contrary to our expectations, a defect is found, please contact our customer care service. Our customer consultants will be happy to advise you on further procedure.

If you have any questions relating to product information, ordering accessories or servicing, please contact our customer care service. Please have the product number to hand in case of any queries.

Customer care service

Email: service@tchibo.de

Product number: **622 316**

Product number: 622 316
