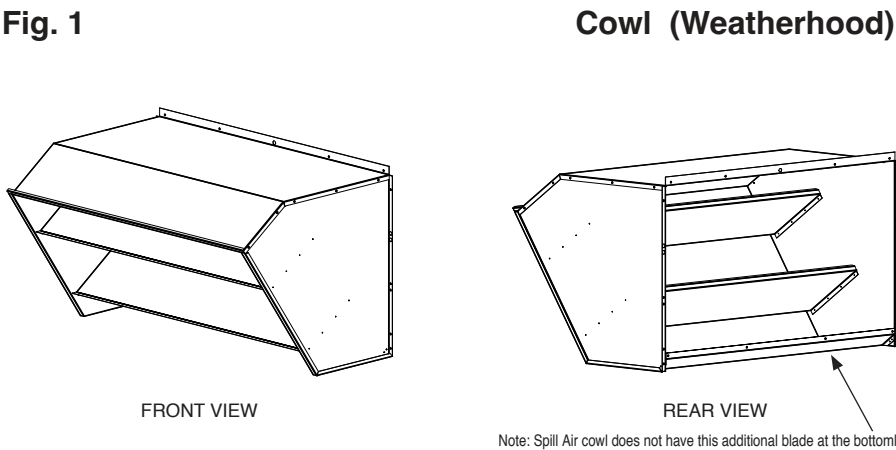


Economiser / Fresh Air Inlet / Spill Air Outlet Cowls

for OPA 1410–2110 RLT

Installation Instructions

Fig. 1



GENERAL

This Economiser / Fresh Air Inlet Cowl is designed to fit the OPA 1410–2110 range of packaged units and is designed to prevent rain water entering the air conditioner's return air path.

The Spill Air Outlet Cowl is designed to fit the OPA 1410–2110 range* of packaged units and is designed to relieve excess air pressure when fresh air is being introduced in to a building.

Both cowls are supplied pre-assembled and fit on the Return Air side of the unit.

COMPONENTS

1. Cowl
2. M6 x 13 SKT hex head screws (x10)

Check that all of the above items have been supplied and that no damage has occurred in transit.

A silicon sealant (not supplied) is required to complete the Cowl assembly.

ASSEMBLY

1. Fit the Economiser/Fresh Air Inlet Cowl to the OPA unit's perforated Economiser damper panel (top). Screws are supplied and the positioning holes pre-drilled in the unit.
2. Fit the Spill Air Outlet Cowl to the OPA unit's perforated Spill Air damper panel (bottom). Screws are supplied and the positioning holes pre-drilled in the unit.
3. Ensure all joints are sealed with silicon sealant.
4. A minimum of 300 mm clearance is required beneath the Fresh Air cowl once installed, so as to prevent heavy rain bouncing off a roof into the cowl.

COMMISSIONING

Refer to the Installation & Maintenance instructions supplied with the OPA unit for recommendations on fresh air damper use, and Economiser commissioning.

* Not applicable to some Supply/Return Air configurations; refer to Temperzone.

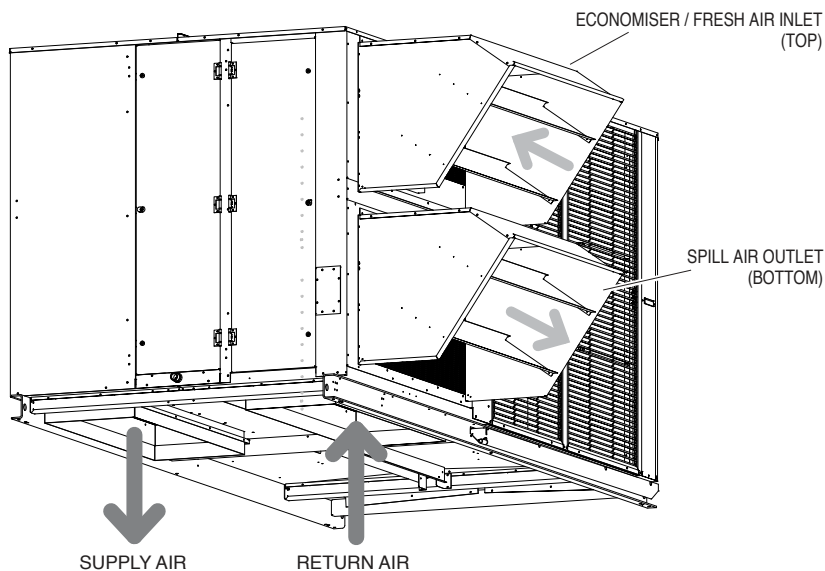
NOTE

The manufacturer reserves the right to change specifications at any time without notice or obligation.

Fig. 2

OPA c/w Inlet & Outlet Cowls

Standard Hand (23) model shown



	Nett	Shipping
Fresh Air cowl	52 kg	78 kg
Spill Air cowl	50 kg	76 kg