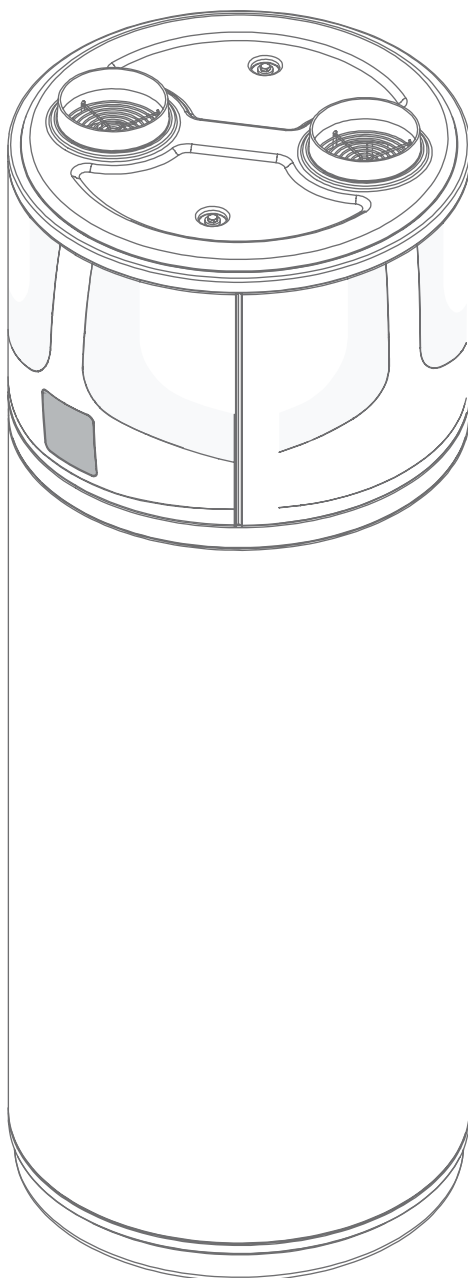




INSTALLATION AND MAINTENANCE MANUAL

APENDIX | PICTURES



HPWH 3.2 100I
HPWH 3.2 150I

DOMESTIC HOT WATER HEAT PUMP
APENDIX | PICTURES

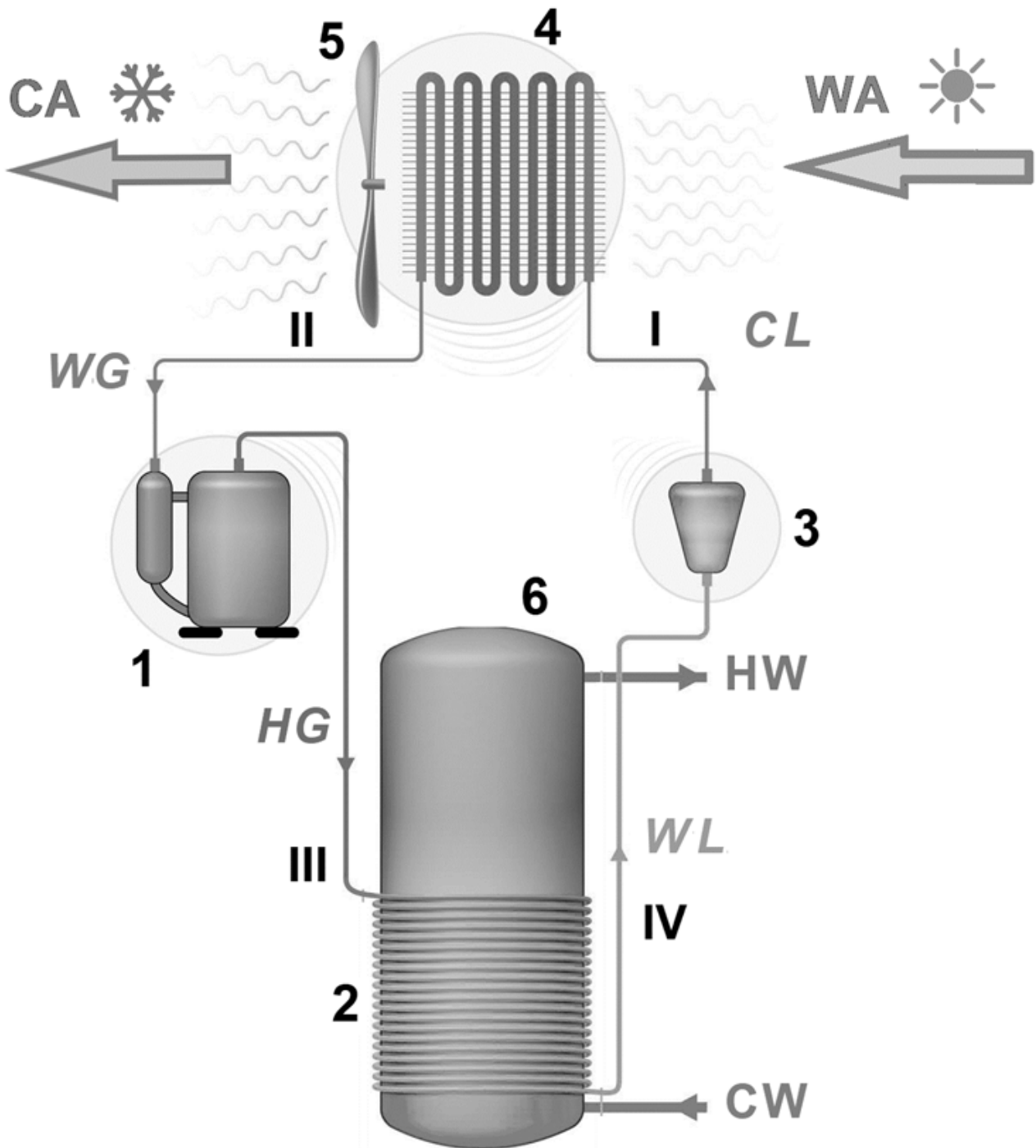


fig.0

OK !



fig.1

NOT OK !

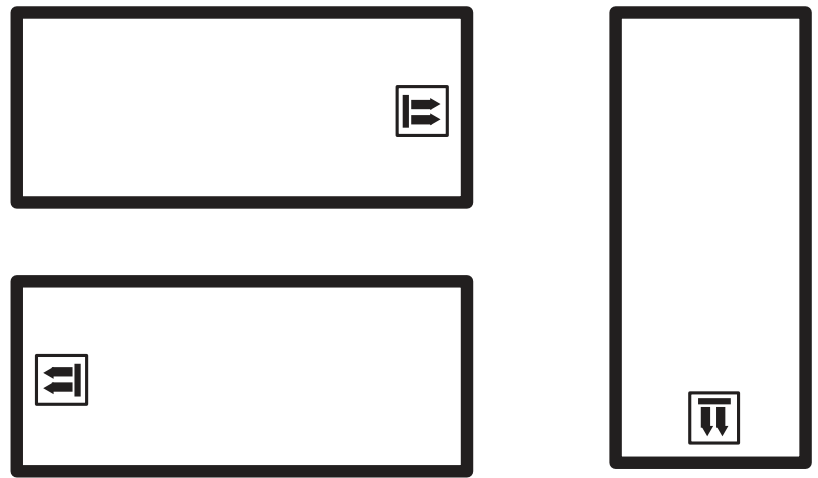


fig.2

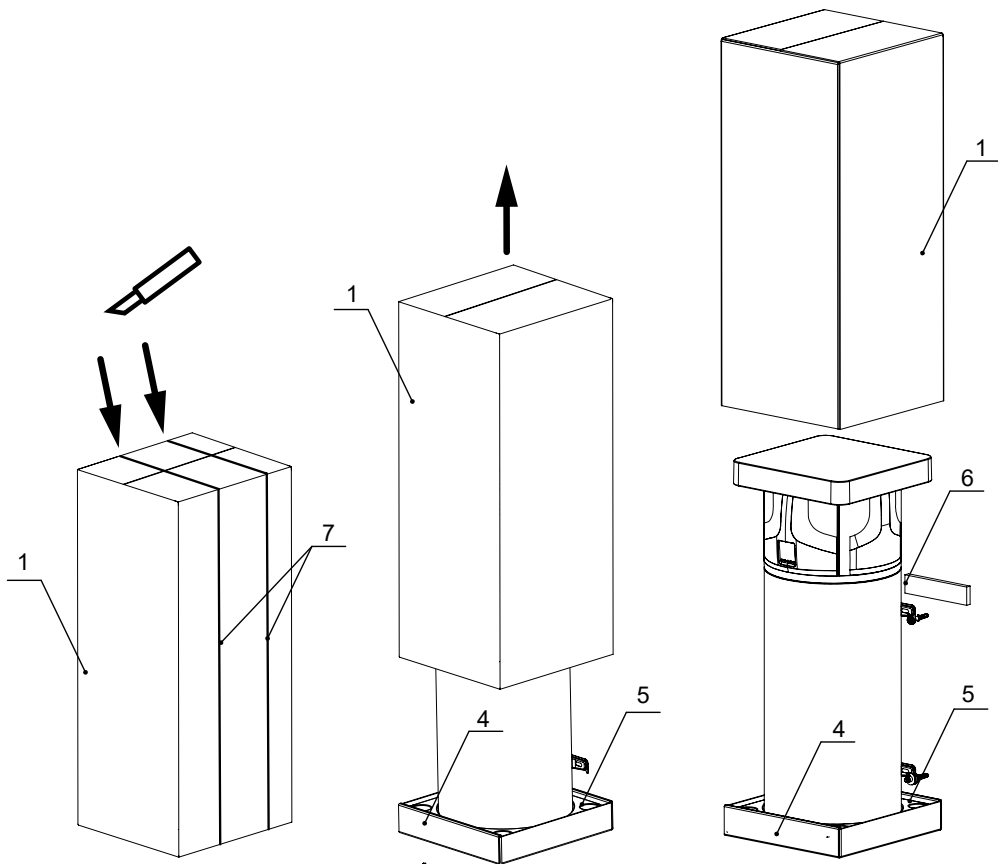


fig.3

OK !

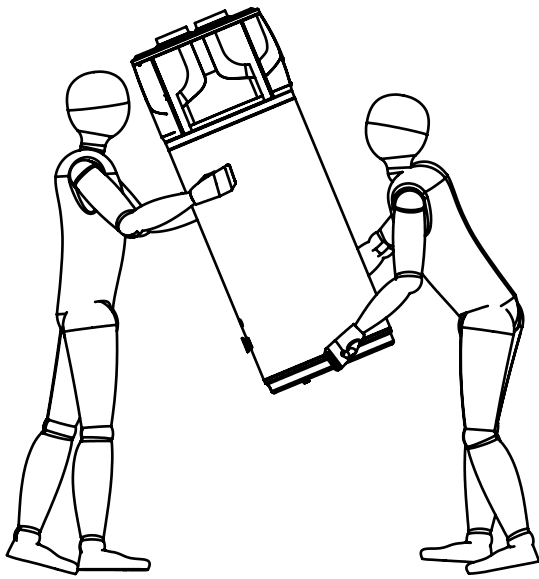


fig.4

NOT OK!

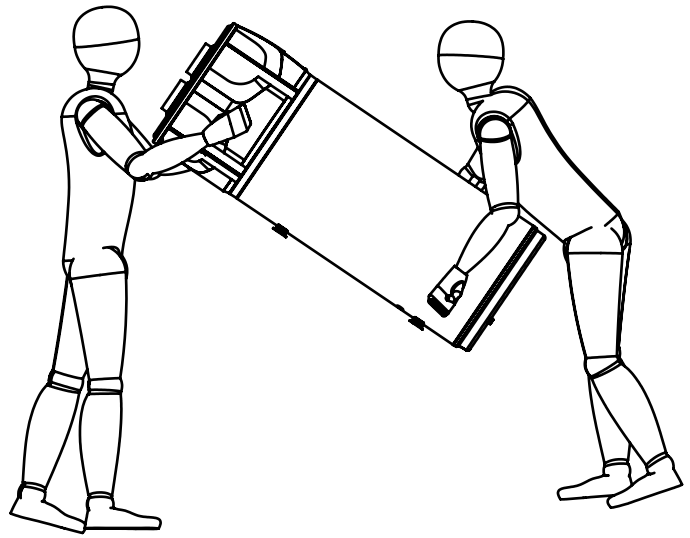


fig.5

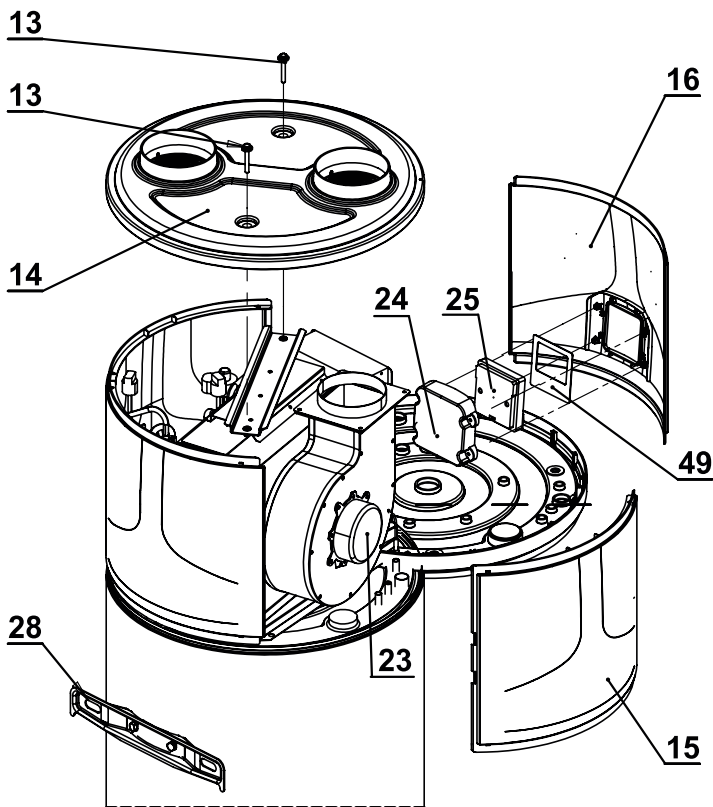


fig.6

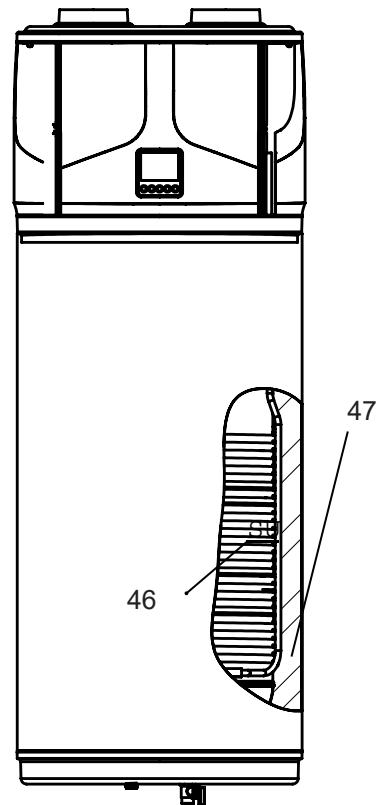


fig.7

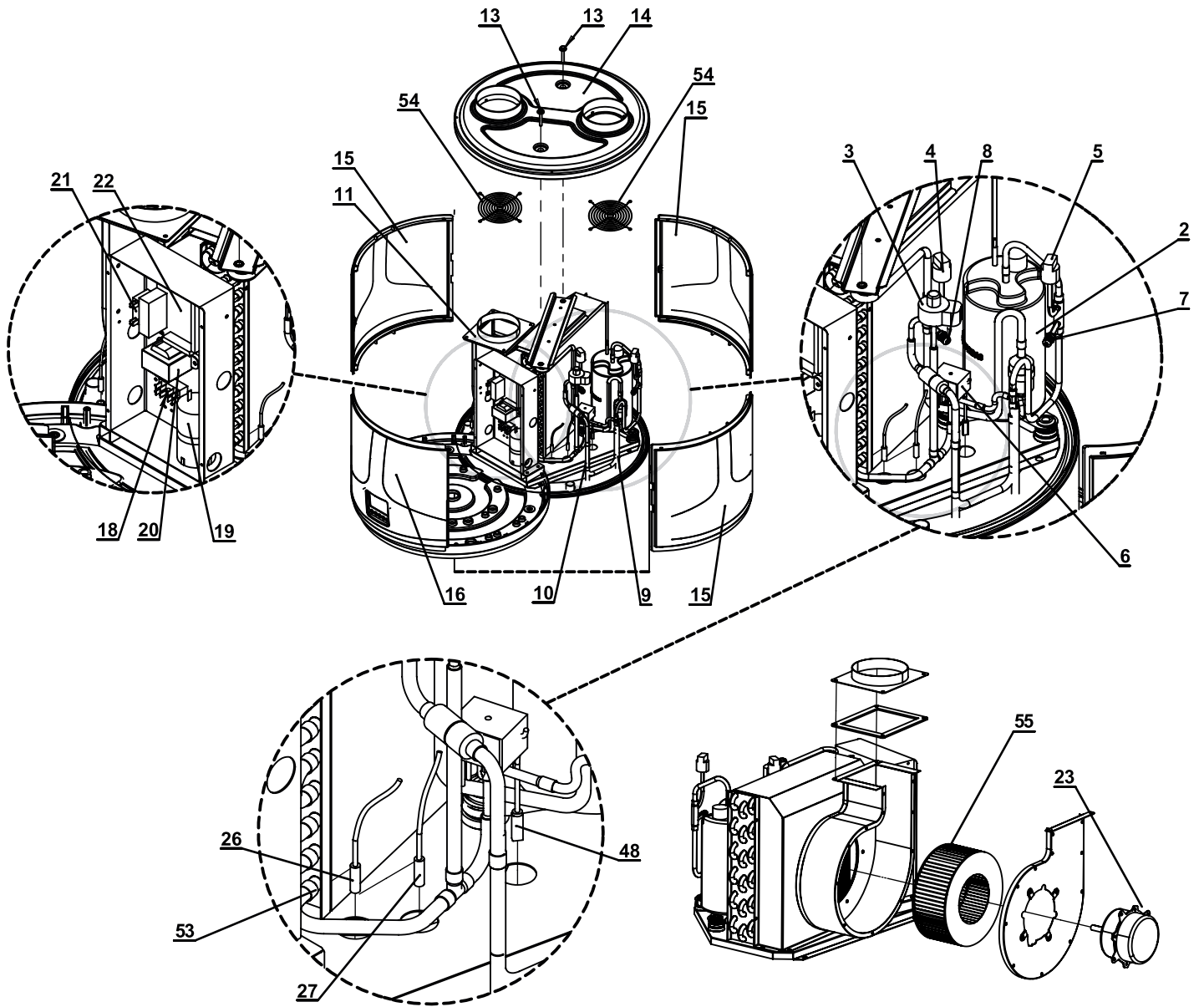


fig.8

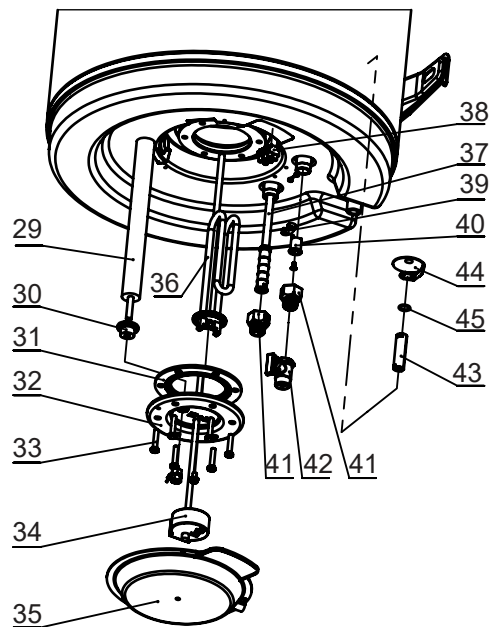
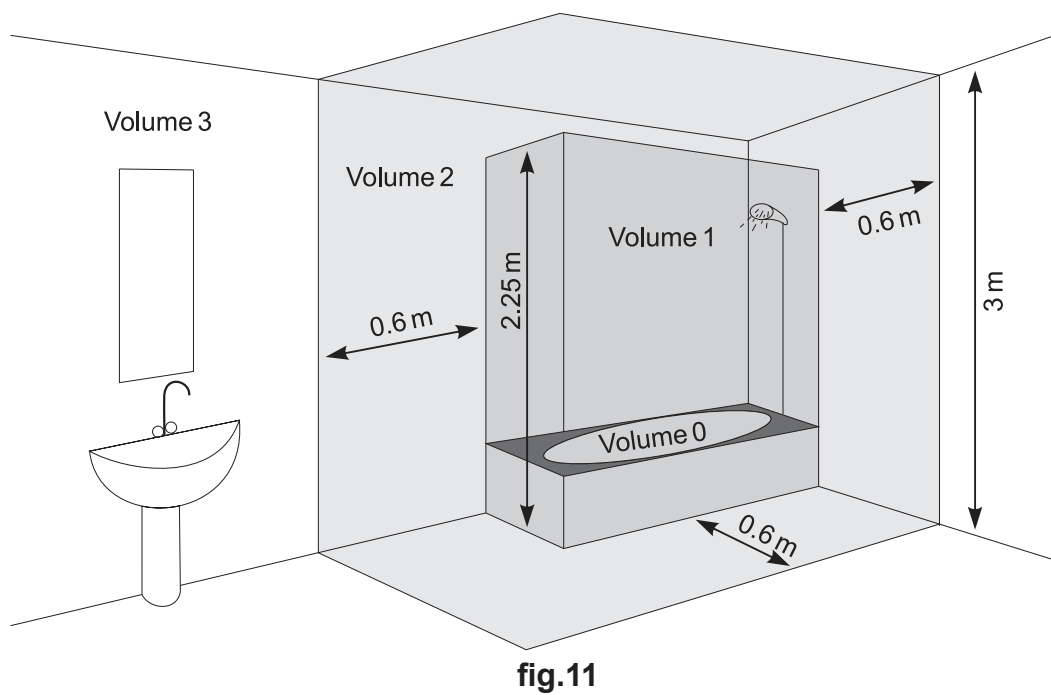
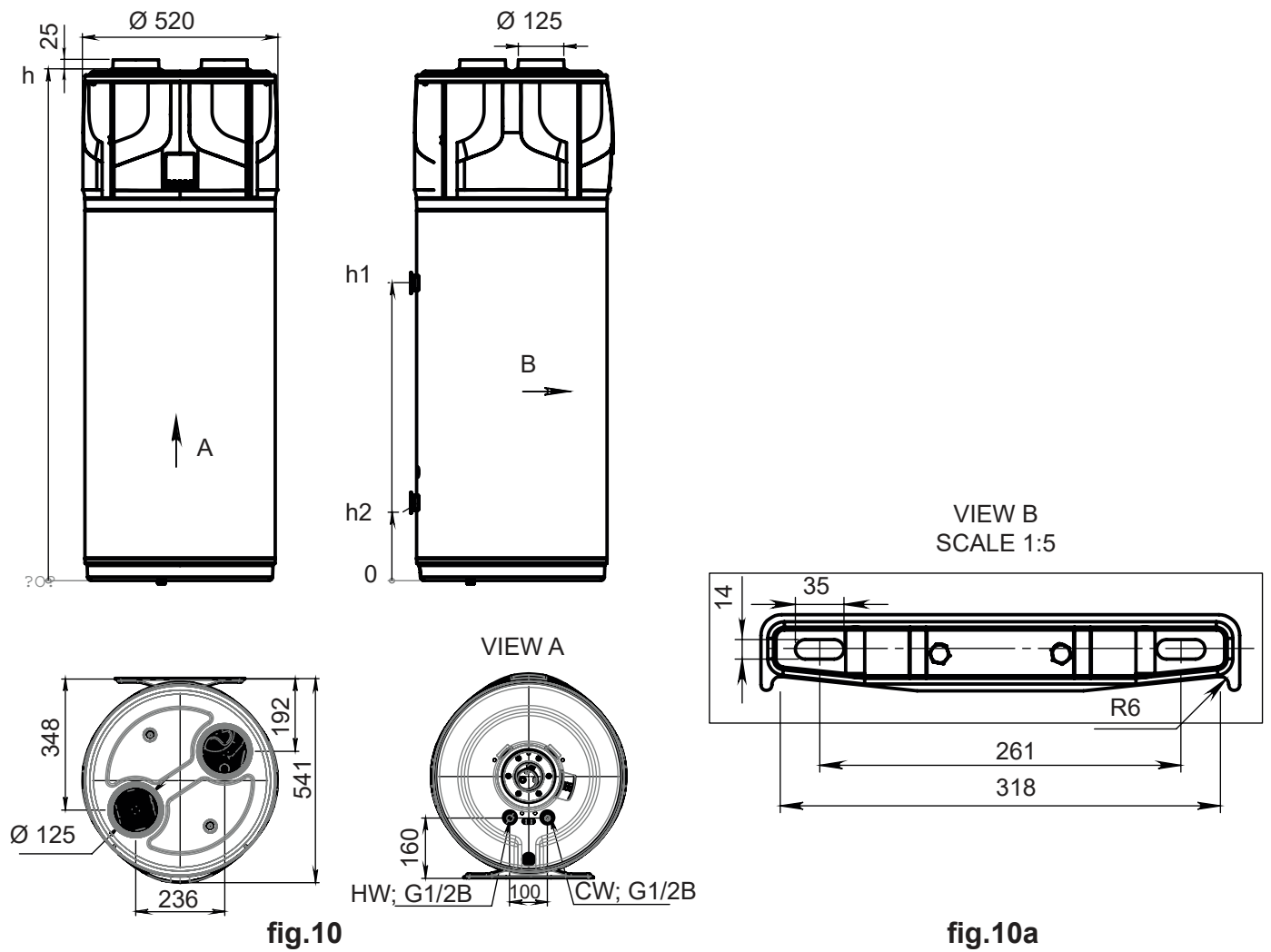


fig.9



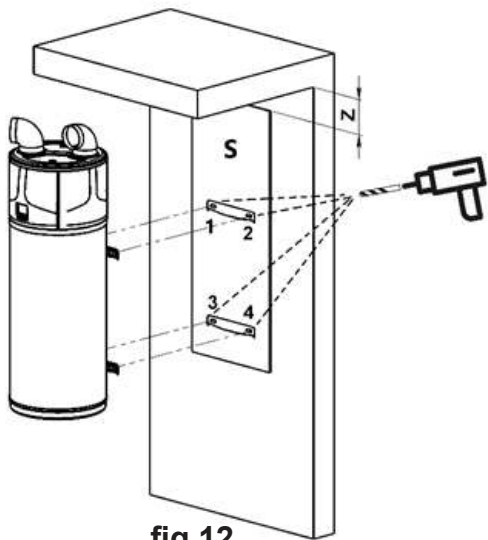


fig.12

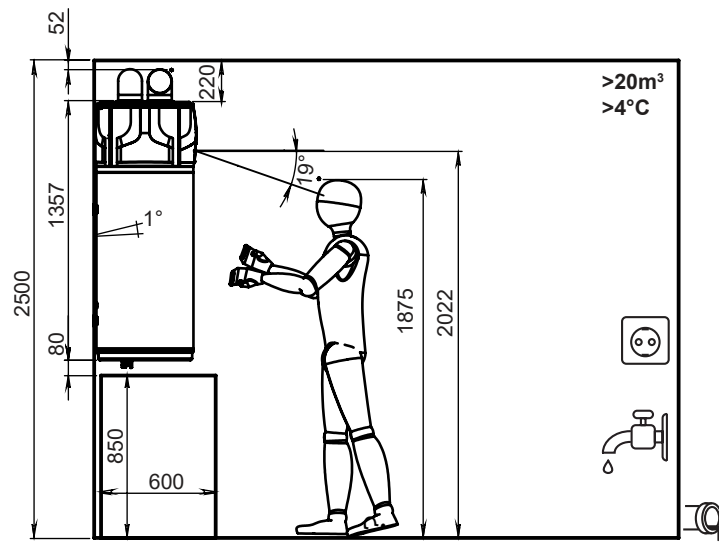


fig.12a

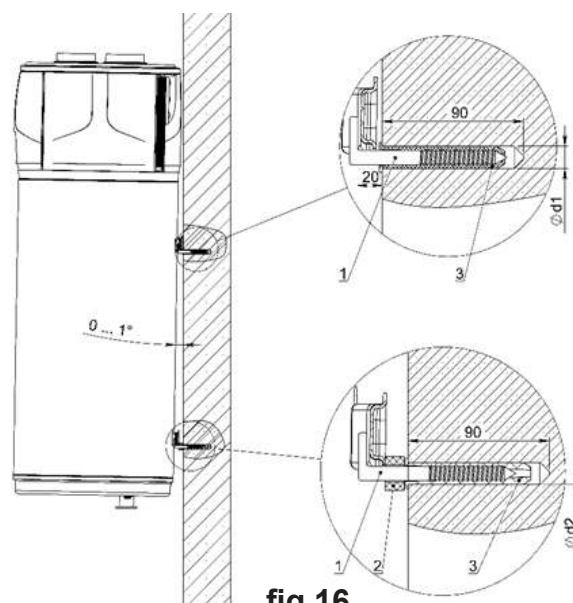


fig.16

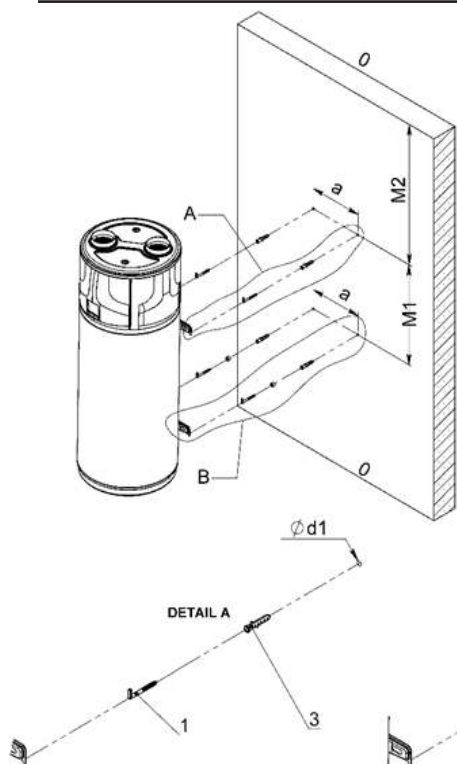


fig.16a

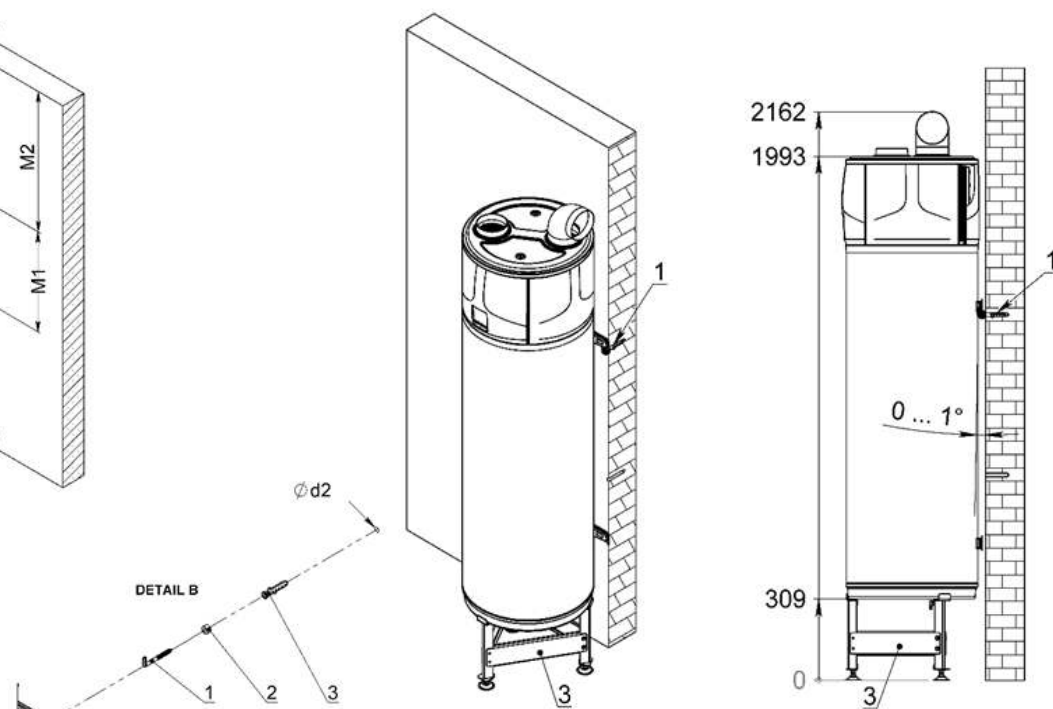
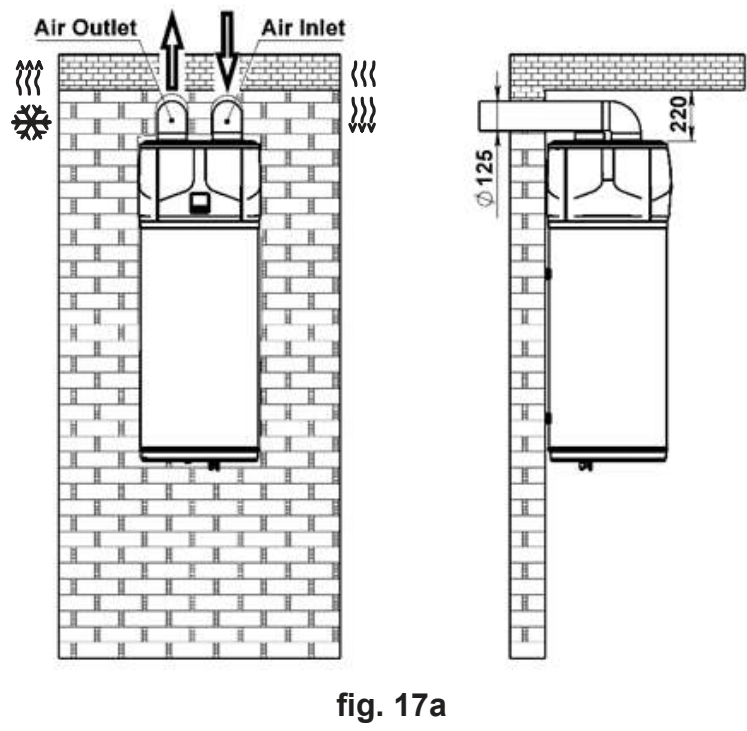
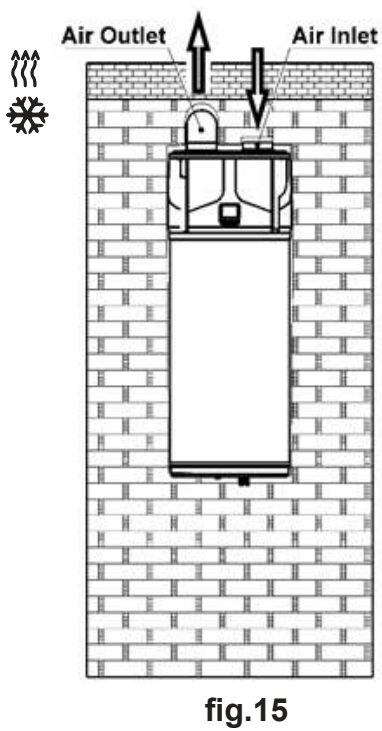
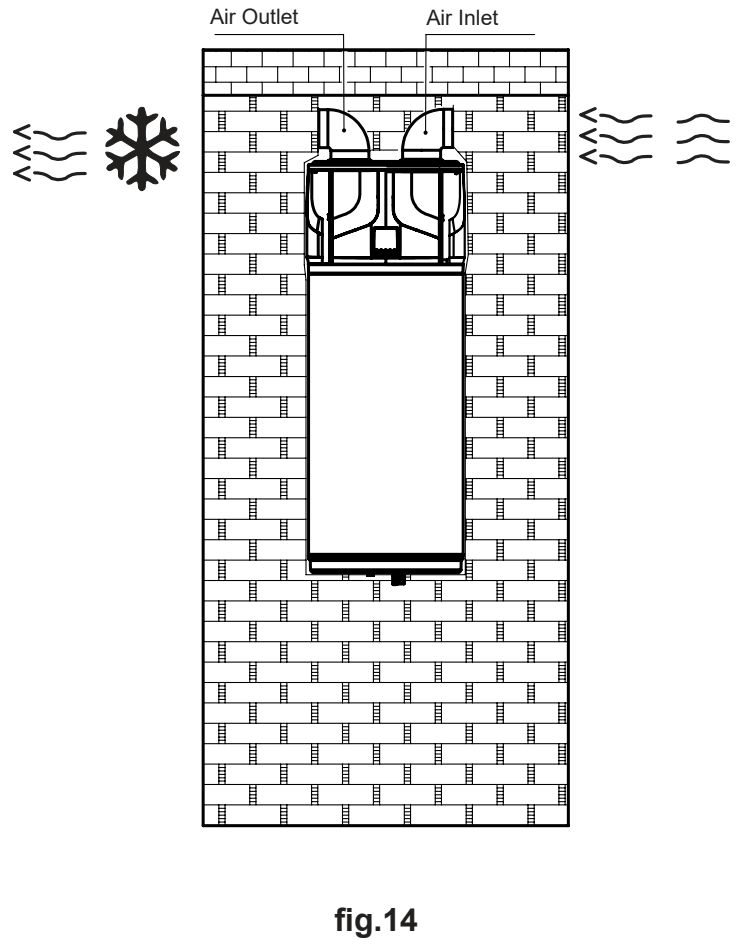
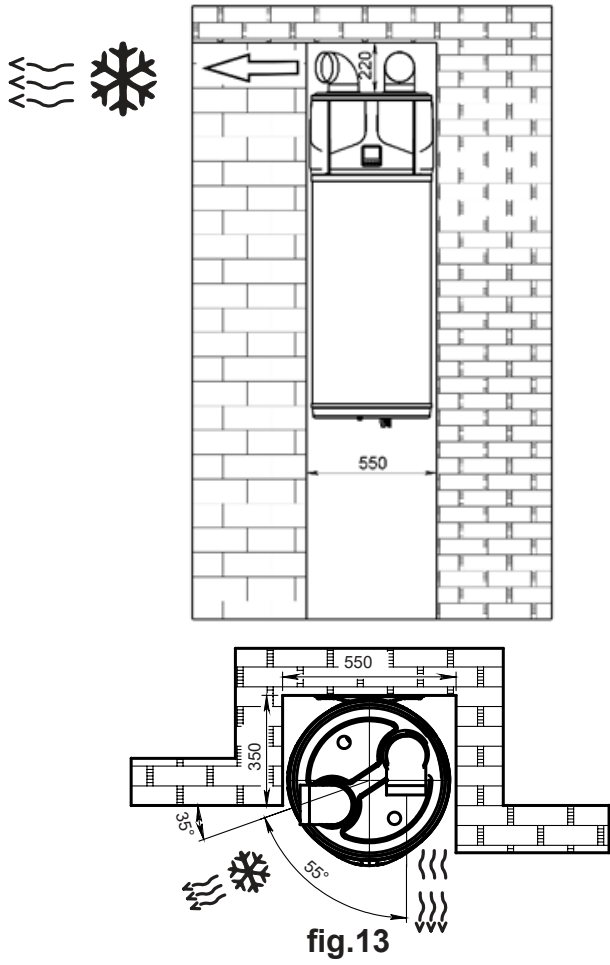


fig.16d



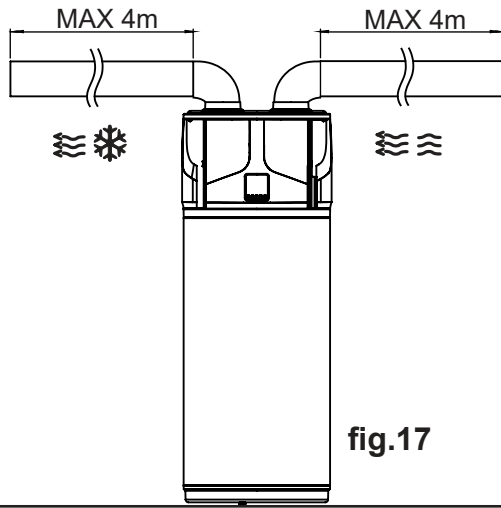


fig.17

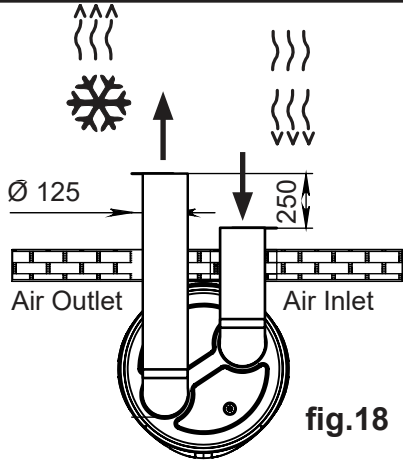


fig.18

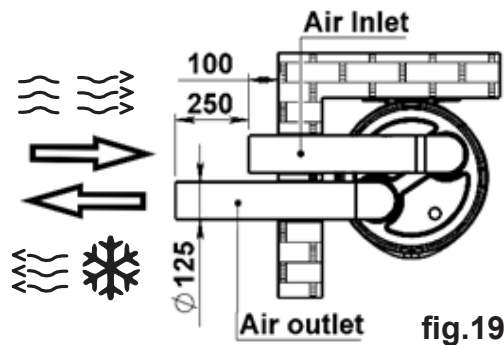


fig.19

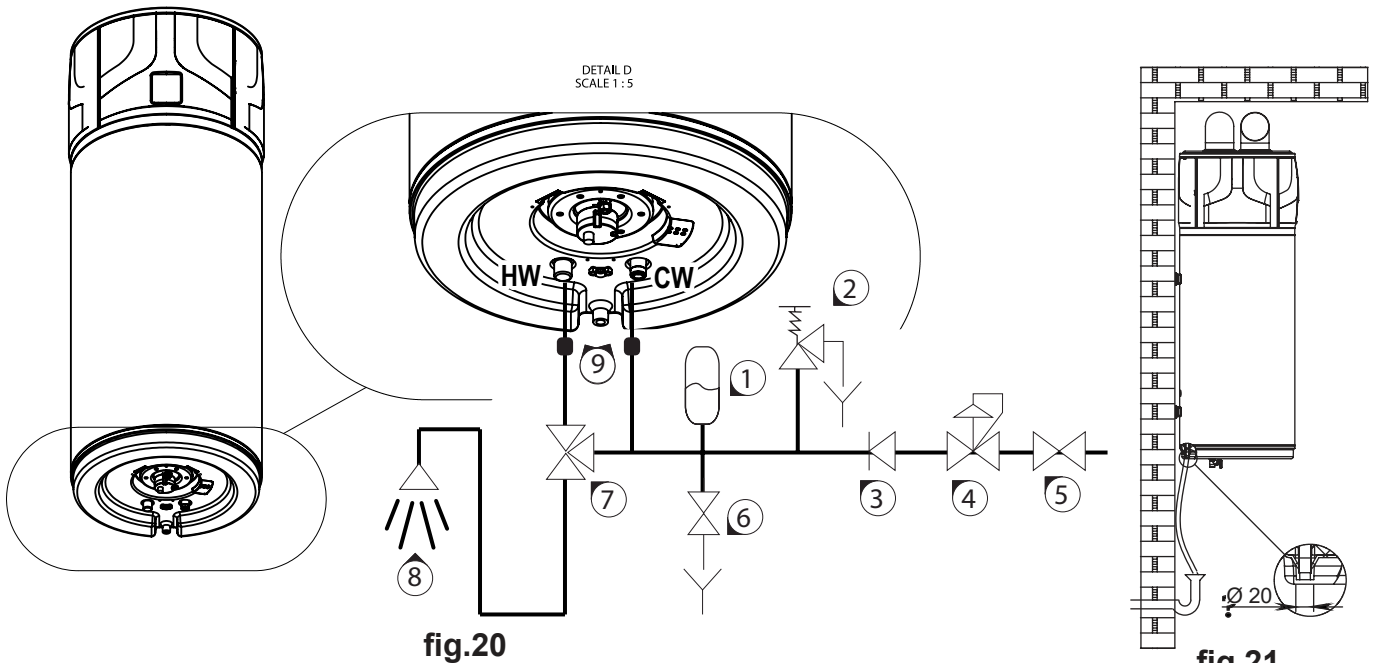


fig.20

fig.21

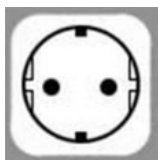


fig.22

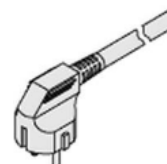


fig.22a

