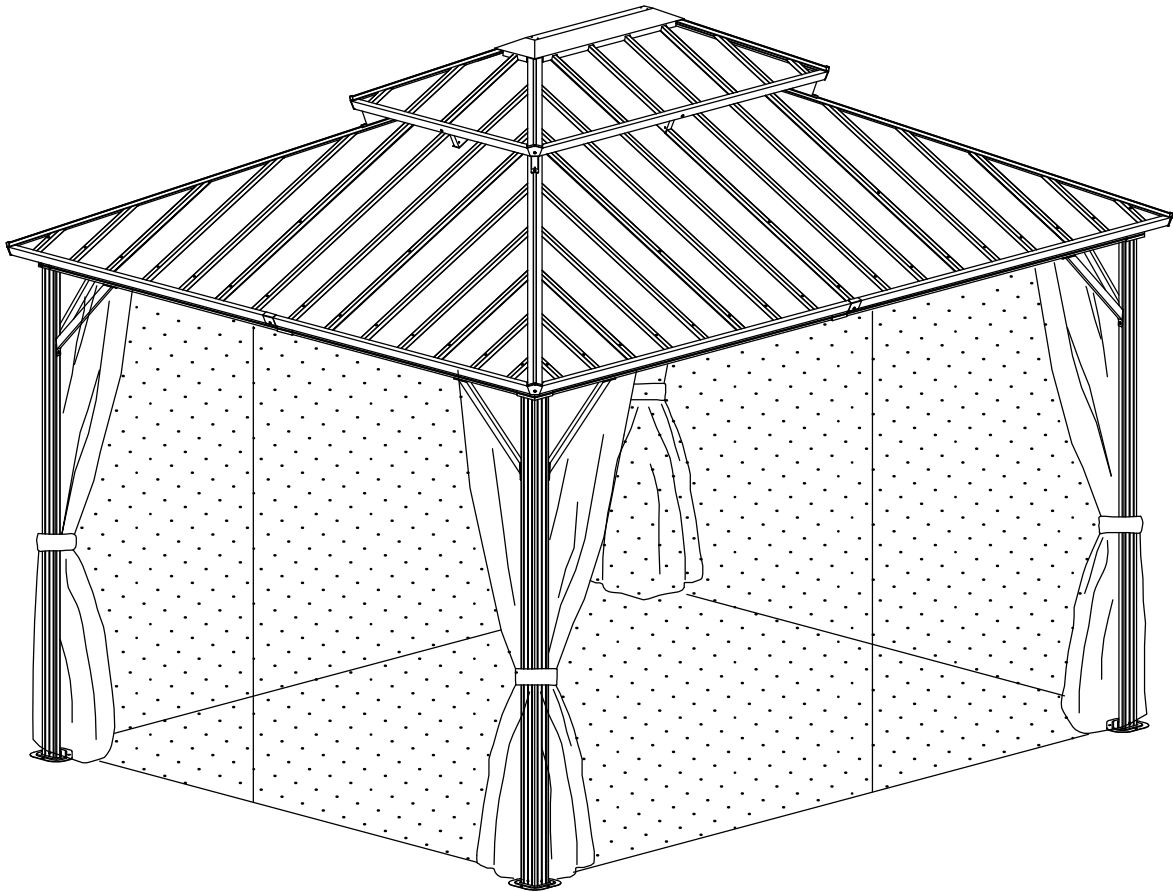


INSTRUCTION MANUAL

Double Roof Hardtop Gazebo 10 ft x 12 ft



To inquire about replacement parts,
please email to teamaftersale@outlook.com.





LIMITED WARRANTY

We offer a limited warranty that this product is free from defects in materials and workmanship for a period of one (1) year from the original date of purchase. At its discretion, we may provide replacement parts for defective parts to original purchaser after its own review and examination. Original receipt or proof of purchase as well as proof of defect is required. We will not be responsible for shipping costs incurred outside the continental USA. Warranty is valid for the original purchaser for 1 year from the date of purchase and is not transferable. Regular maintenance of wood, aluminum, and steel components is required to assure the integrity of your product and is a requirement of the warranty. This warranty does not cover any inspection costs.

This Limited Warranty does not cover:

- Labor for replacement of any defective item(s);
- Incidental or consequential damages;
- Cosmetic defects which do not affect performance or integrity;
- Vandalism; improper use or improper installation; acts of nature, including but not limited to wind, storms, hail, floods, excessive water exposure;
- Structural or component failure due to snow loading.
- Minor twisting, warping, checking, cracking, or any other natural occurring properties of wood that do not affect performance or integrity.

Our products have been designed for safety and quality. Any modifications made to the original product could damage the structural integrity of the product leading to failure and possible injury. We can not assume any responsibility for modified products. Furthermore, modification voids any and all warranties.

All replacement products or parts will assume the remaining warranty of the original product. This warranty gives you specific legal rights. You may also have other rights, which vary from state to state.

This product is warranted for RESIDENTIAL USE ONLY. We disclaim all other representations and warranties of any kind, express or implied.

We do not warrant against and under no circumstances shall we be liable or responsible for any personal loss, injury, or direct or indirect incidental or consequential damages resulting from the use of this product

This Warranty gives you specific legal rights. You may have other rights as well which vary from state to state or province to province. This warranty excludes all consequential damages, do not allow the limitation or exclusion of consequential damages, and therefore this limitation may not apply to you, however, some states/provinces do not allow the limitation or exclusion of consequential damages, and therefore this limitation may not apply to you.

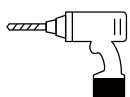
WARNING



To reduce the risk of serious injury, read the following safety instructions thoroughly before assembling and using the gazebo.

- Check with your local governing authority/local municipal codes regarding installation and permitting of such structures before assembly.
- Use of personal protective equipment including gloves, safety glasses, and closed toe footwear is recommended during assembly.
- Requires two or more people to assemble and install safely and correctly.
- The product is required to be installed on level solid surface and is not intended for unsecured use. The gazebo is to be anchored to the surface with appropriate bolts or anchors. These anchors need to be purchased separately for the specific installation surface. Do not assemble the gazebo on soil, earth, or bare ground.
- Ensure enough clearance around the product. Before assembling the product, find level ground no less than 6' (1.8 m) away from any structures or obstructions, such as fences, buildings, or overhead obstacles.
- Do not assemble or install the gazebo underneath electrical lines or above underground utilities.
- Check for underground utilities before digging or driving stakes into the ground.
- This gazebo is not to be regarded as part of a building/house structure.
- All assembly and maintenance of the product must be carried out by adults only.
- Use all power tools and hand tools in accordance with their respective safety manuals.
- Keep children and pets away while setting up the gazebo.
- Metal framed gazebos are NOT flame retardant and will burn. Grills, firepits, and chimneas create a fire hazard and should not be placed under or near your structure.
- Do not hang heavy weights from the roof frame.
- Do not climb onto the roof of the gazebo for any reason.
- Check all nuts and bolts monthly to ensure bolts/nuts are tightened.
- Check the metal hardware monthly to ensure there are no exposed sharp edges or rust. Sand sharp edges or rust with sandpaper and apply touch up paint. Always use lead free paint that conforms to 16 CRF Part 1303.

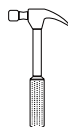
Needed for assembly: *(The following tools are not included)*



Pistol Drill



Tape Measure



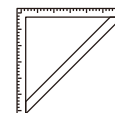
Hammer



Screwdriver



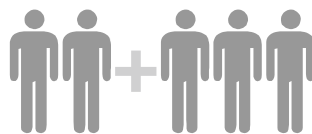
Level



Framing Square



Ladder



Two or more people

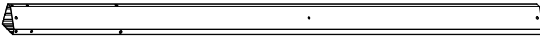
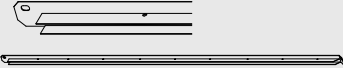

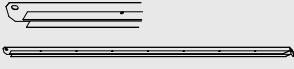
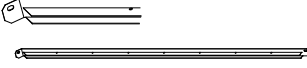



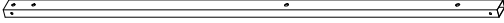


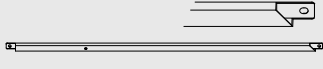

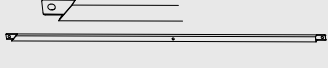
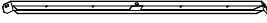
Packing List

Carton-1/2	
Part	Qty
A8	4
C1	2
C2	2
C13	2
C14	2
D15	4
D16	2
D17	2
D19	4
F6	2
F7	2
F9	2
F10	2
G9	2
J	4
K1	4
K2	4
L6	1
M2	1
N	12
N1	4
O	8
P1	4
Q1	4
Q5	8
Q6	4
V	4
W11	2
W12	2


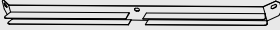


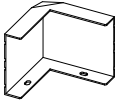
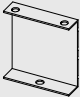
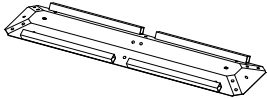
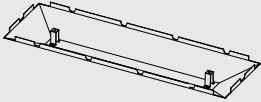

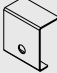
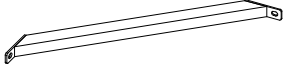
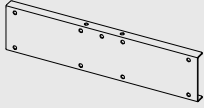
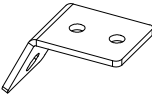


Carton-1/2	
Part	Qty
Y	68
U1	104
Z	48
Z1	16
Z2	8
Hardwares	1
Manual	1

Carton-2/2	
Part	Qty
D8	4
G1	2
I1	2
I9	2
S1	4
S2	4
S3	2
T	4
T1	4
V1	2
V6	2
W9	2
W10	2
X1	4
X2	4
X13	4
X14	4
X15	2
X16	2
X17	2

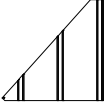
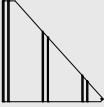
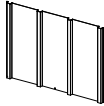
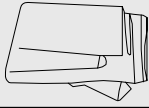
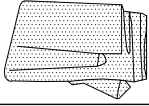

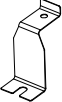
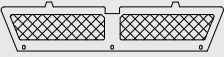
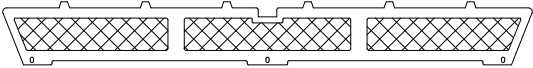

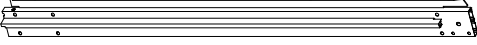


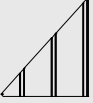
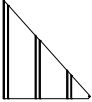
Part List

Label	Sketch	QTY
A8		4
C1		2
C2		2
C13		2
C14		2
D8		4
D15		4
D16		2
D17		2
D19		4
F6		2
F7		2
F9		2
F10		2
G1		2

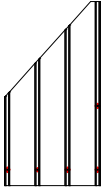
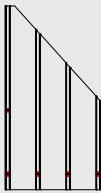
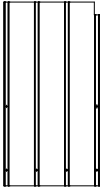
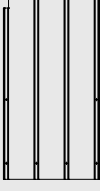
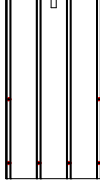

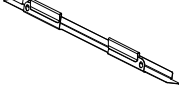
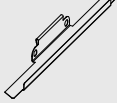
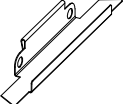
Part List

Label	Sketch	QTY
G9		2
I1		2
I9		2
J		4
K1		4
K2		4
L6		1
M2		1
N		12
N1		4
O		8
P1		4
Q1		4
Q5		8
Q6		4











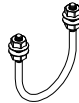


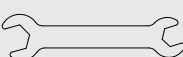

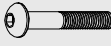
Part List

Label	Sketch	QTY
S1		4
S2		4
S3		2
T		4
T1		4
U1		104
V		4
V1		2
V6		2
W9		2
W10		2
W11		2
W12		2
X1		4
X2		4


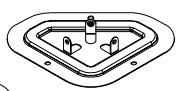
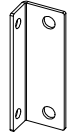
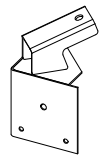



Part List

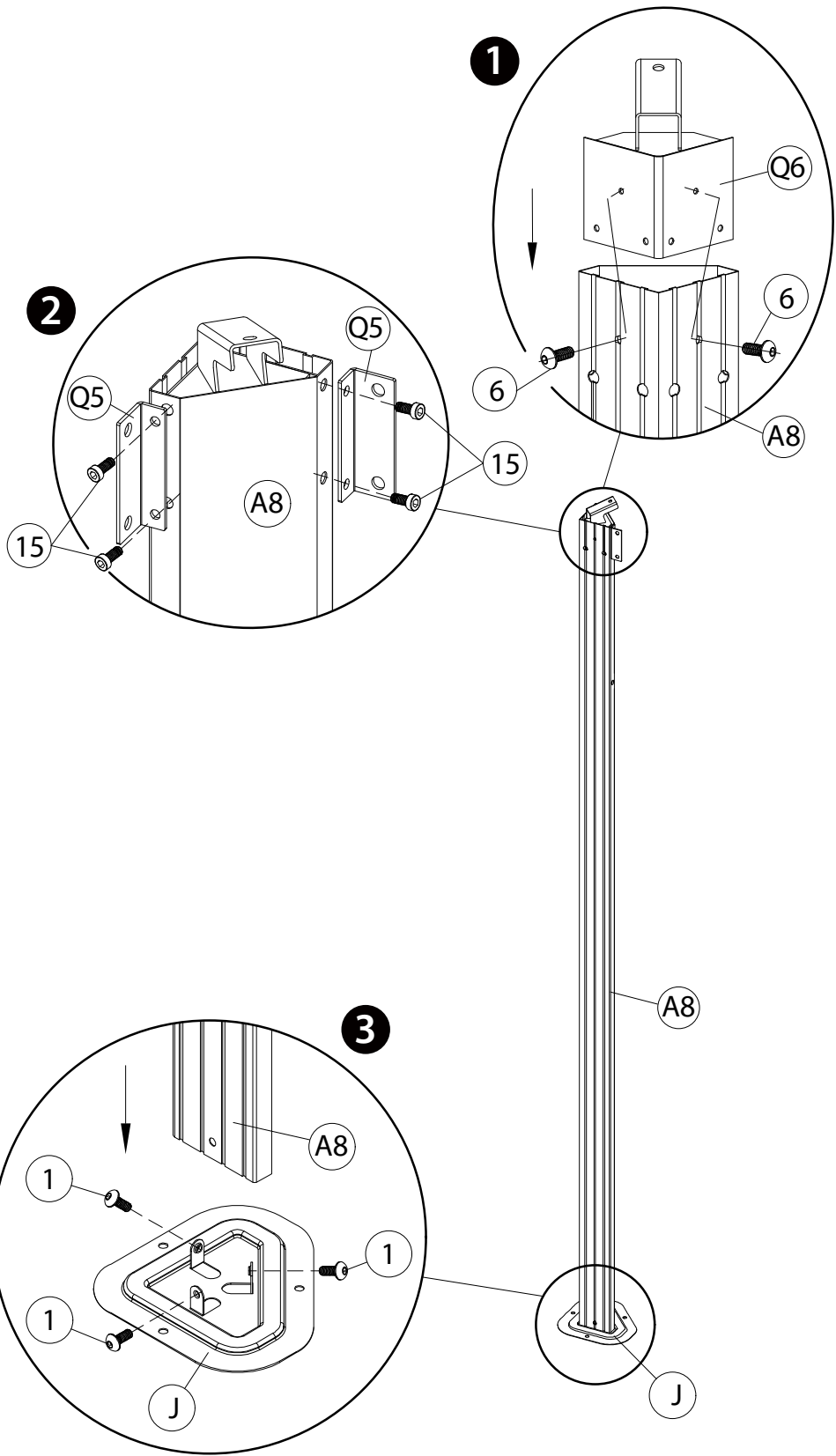
Label	Sketch	QTY
X13		4
X14		4
X15		2
X16		2
X17		2
Y		68
Z		48
Z1		16
Z2		8

Hardware

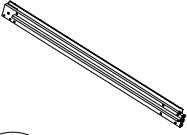
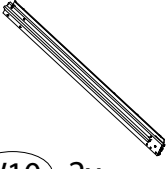
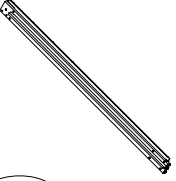
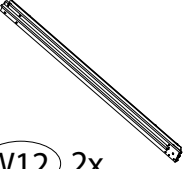
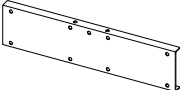

Label	Sketch	QTY
1	 M6x15	144
2	 M6x23	60
3	 M6x25	4
4	 ST 4.8x12	8
5		2
6	 M5x12	8
7	 M6x45	8
8		16
9	 M6x10	8
10		12
11		1
12	 M6	2
13	 M6x10	12
14		1
15	 M5x15	16
16	 M6x35	8

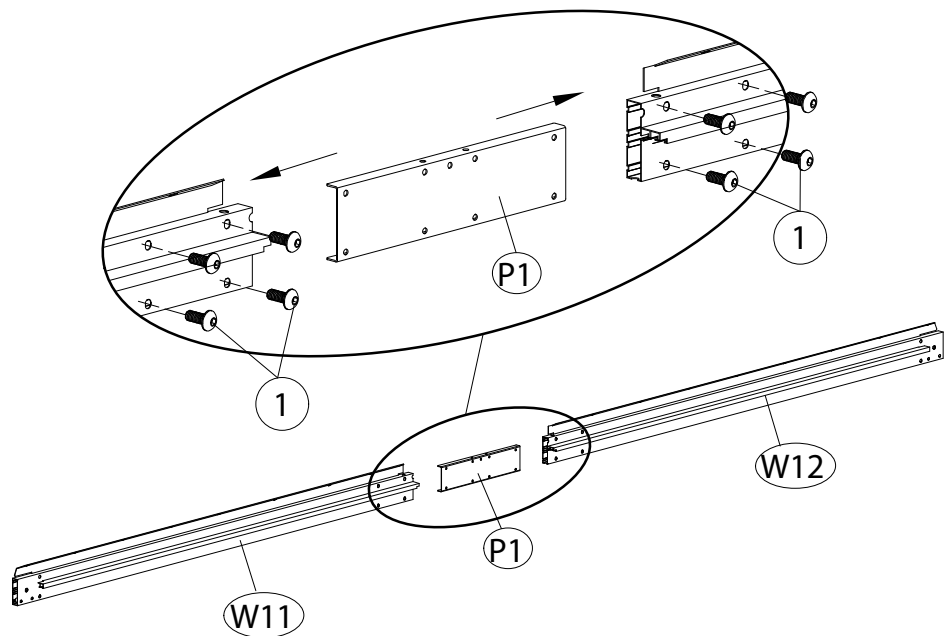
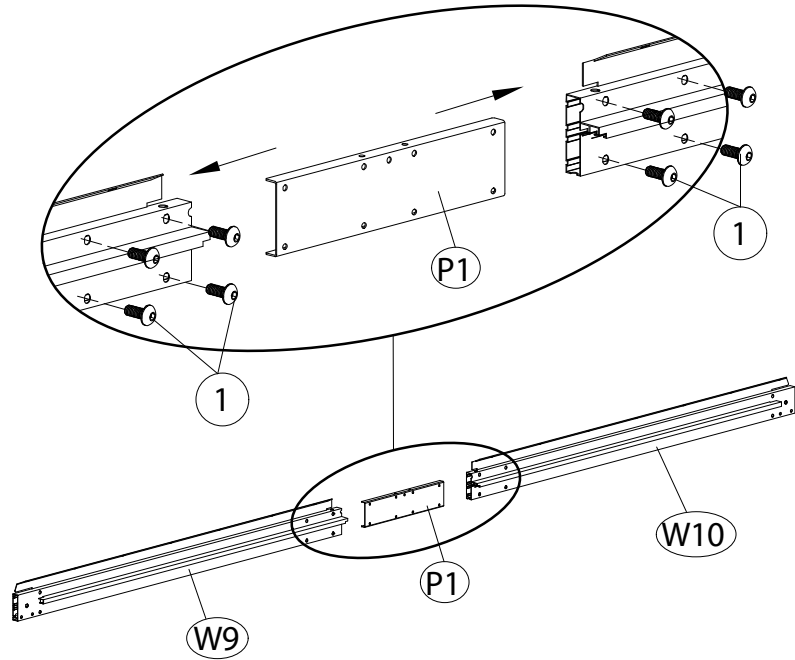
Step 1


A8 4x

J 4x

Q5 8x

Q6 4x

M6x15
1 12x

M5x12
6 8x

M5x15
15 16x



Step 2


W9 2x

W10 2x

W11 2x

W12 2x

P1 4x
 M6x15
1 32x



Step 3

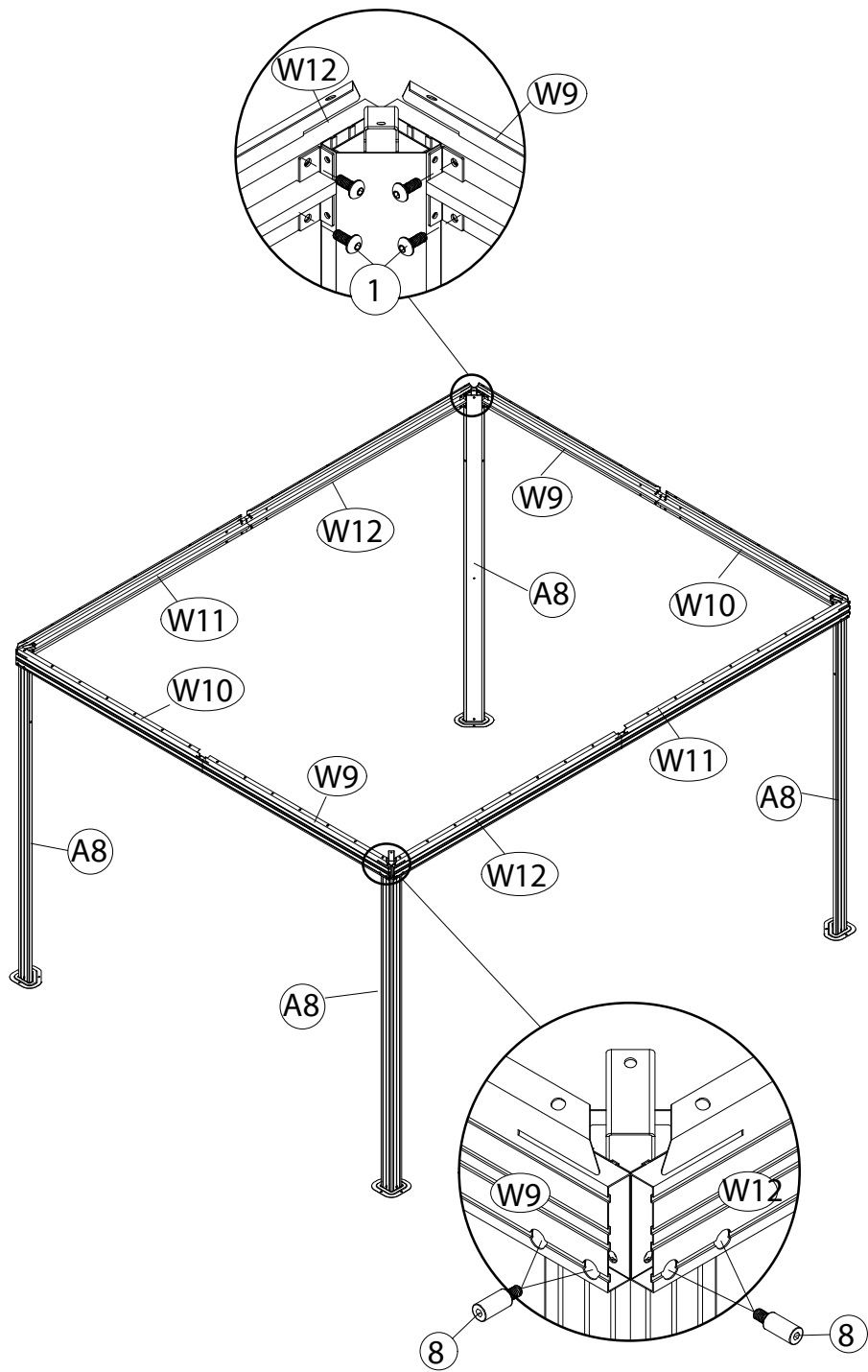


8 16x



M6x15

1 16x



Step 4

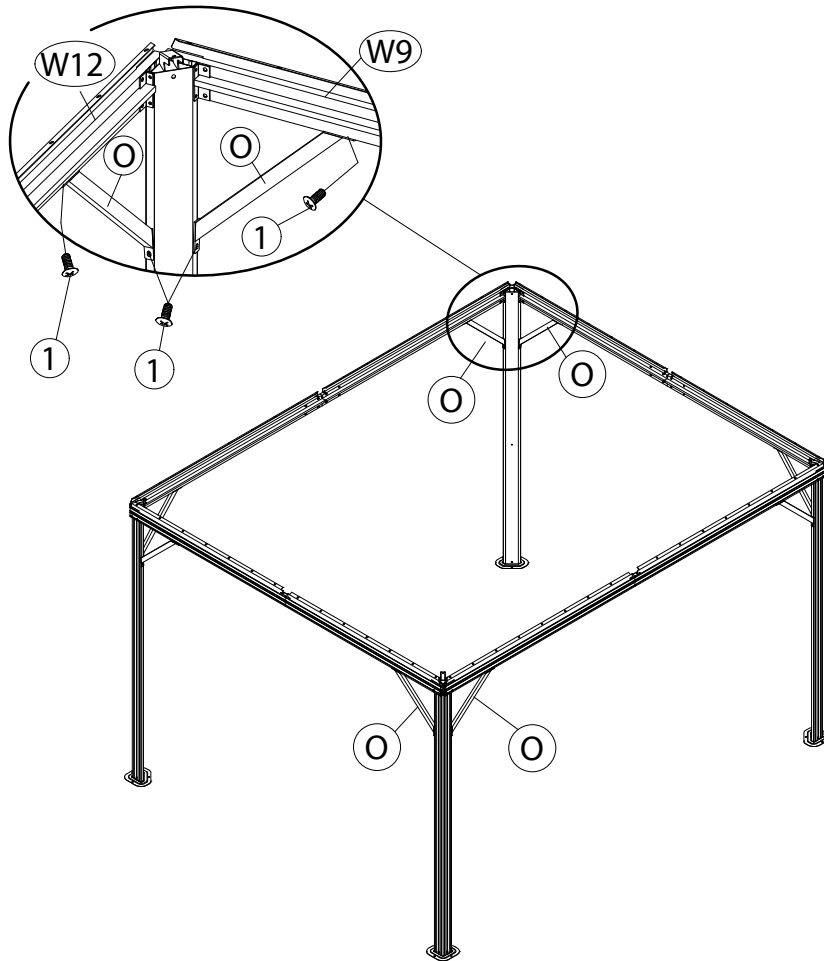


○ 8x



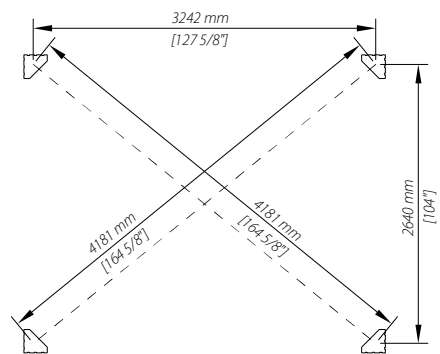
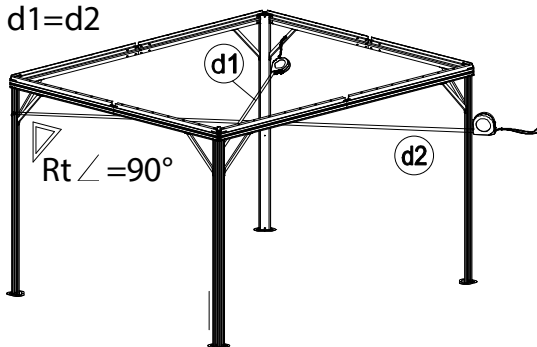
M6x15

① 16x



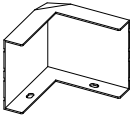
Important

① $d1=d2$

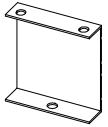


Before proceeding with Step 4, ensure that the frame is square by ensuring the diagonal dimensions are identical ($d1=d2$), the beams are level and that the posts are at 90 degree angle to the beams and are plumb.

Step 5



K1 4x



K2 4x



U1 104x



V 4x



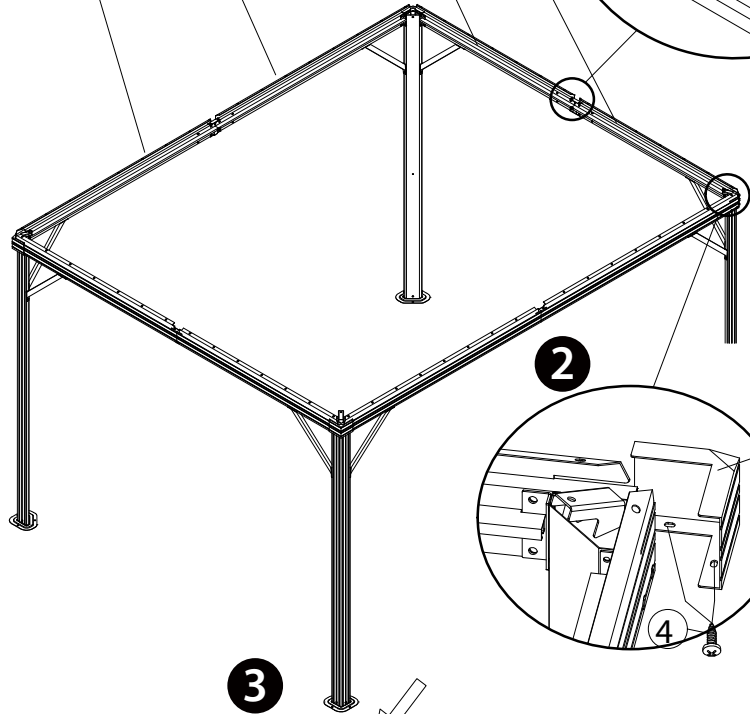
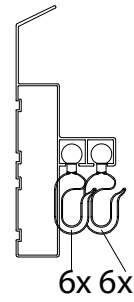
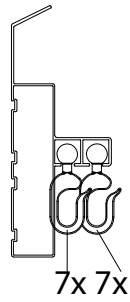
M6x10

13 12x

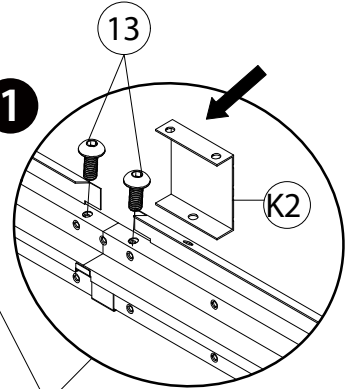


ST4.8x12

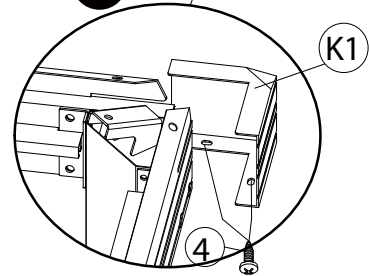
4 8x



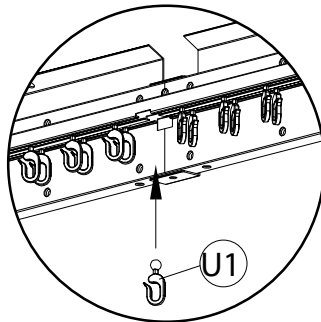
1



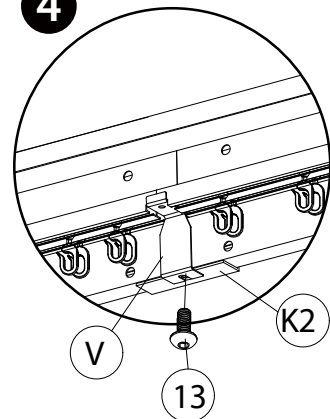
2



3

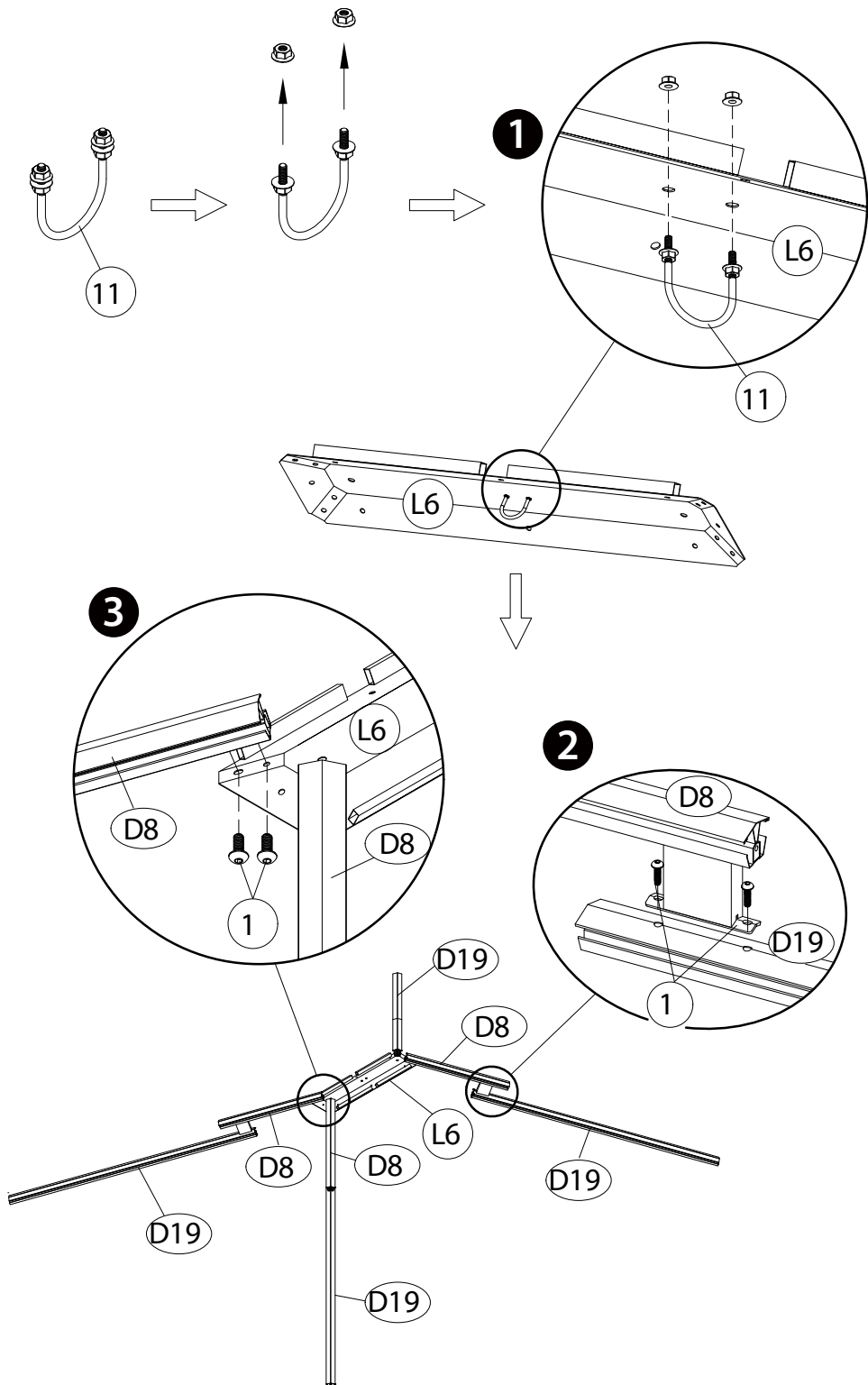


4



Step 6

- D19 4x
- D8 4x
- L6 1x
- M6x15
1 16x
- 11 1x

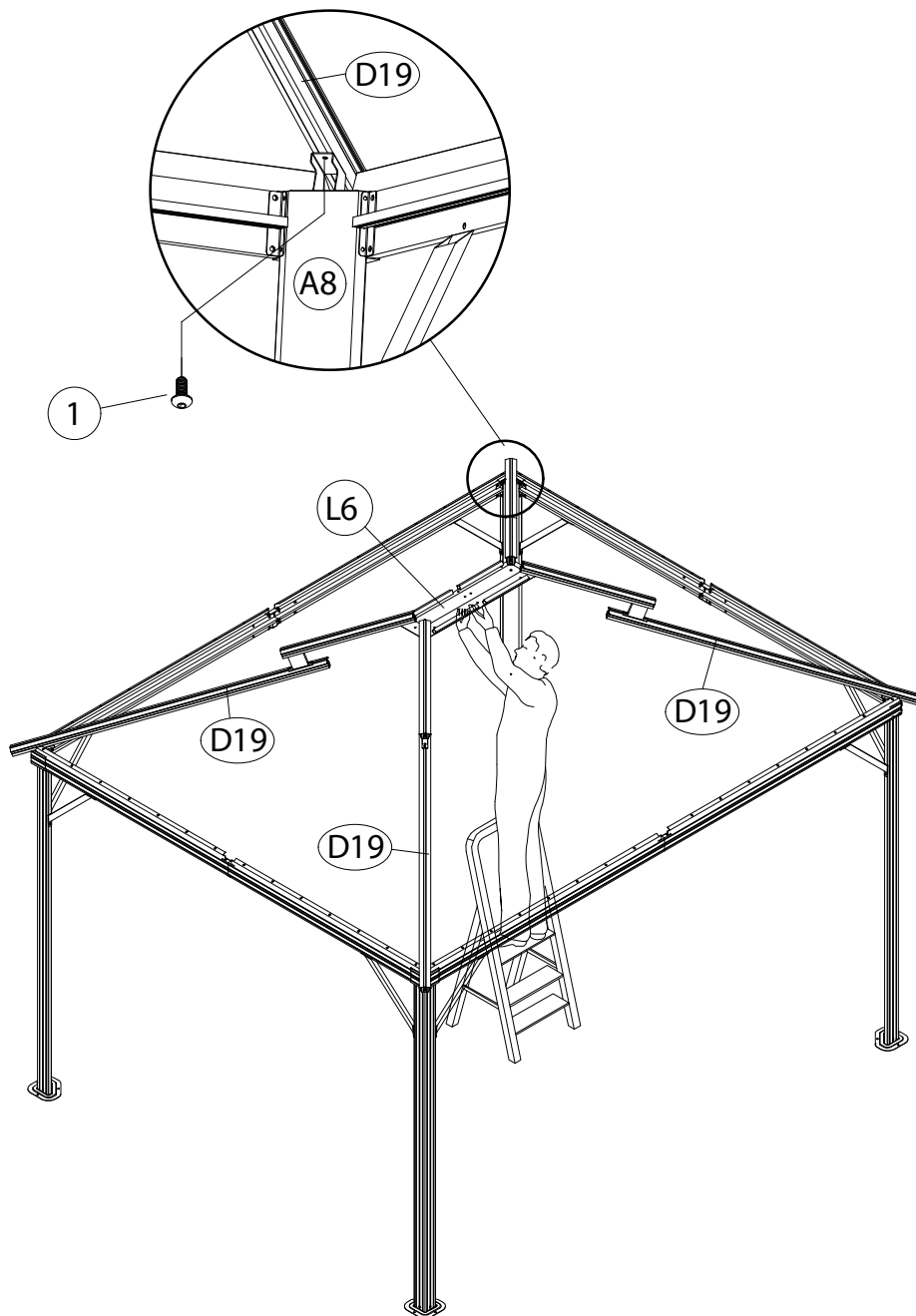


Step 7



M6x15


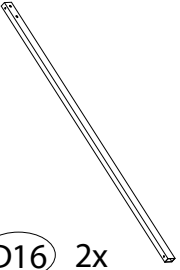
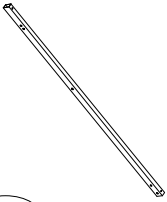
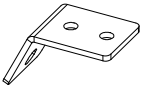


1 4x

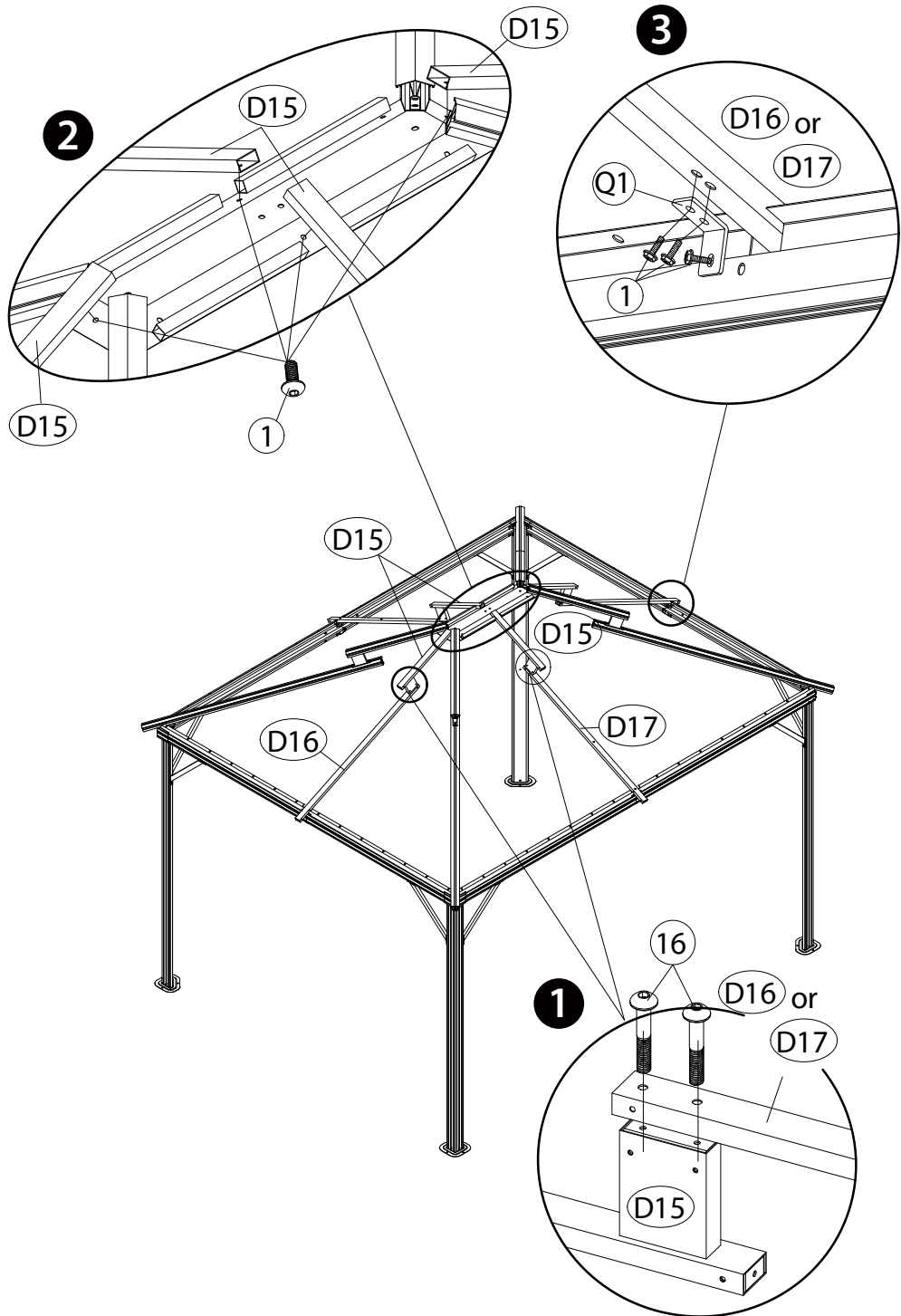


Note:





1. Let one person stand on the ladder to lift "L6" and hold and let the other one fasten the screws connecting both ends of "D19".
2. Please hold "L6" until all the "D19" screws are installed.

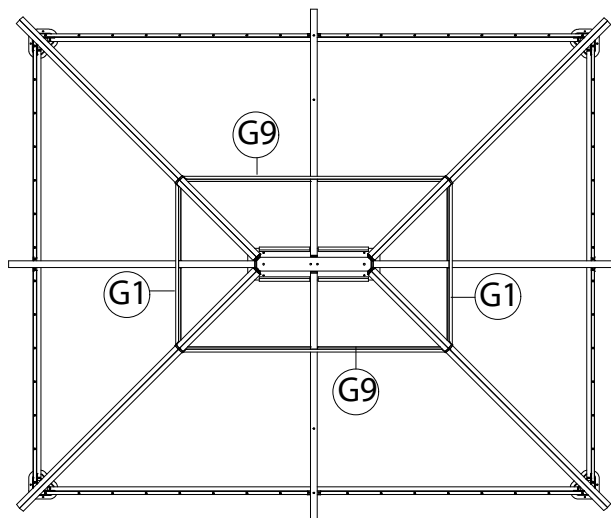
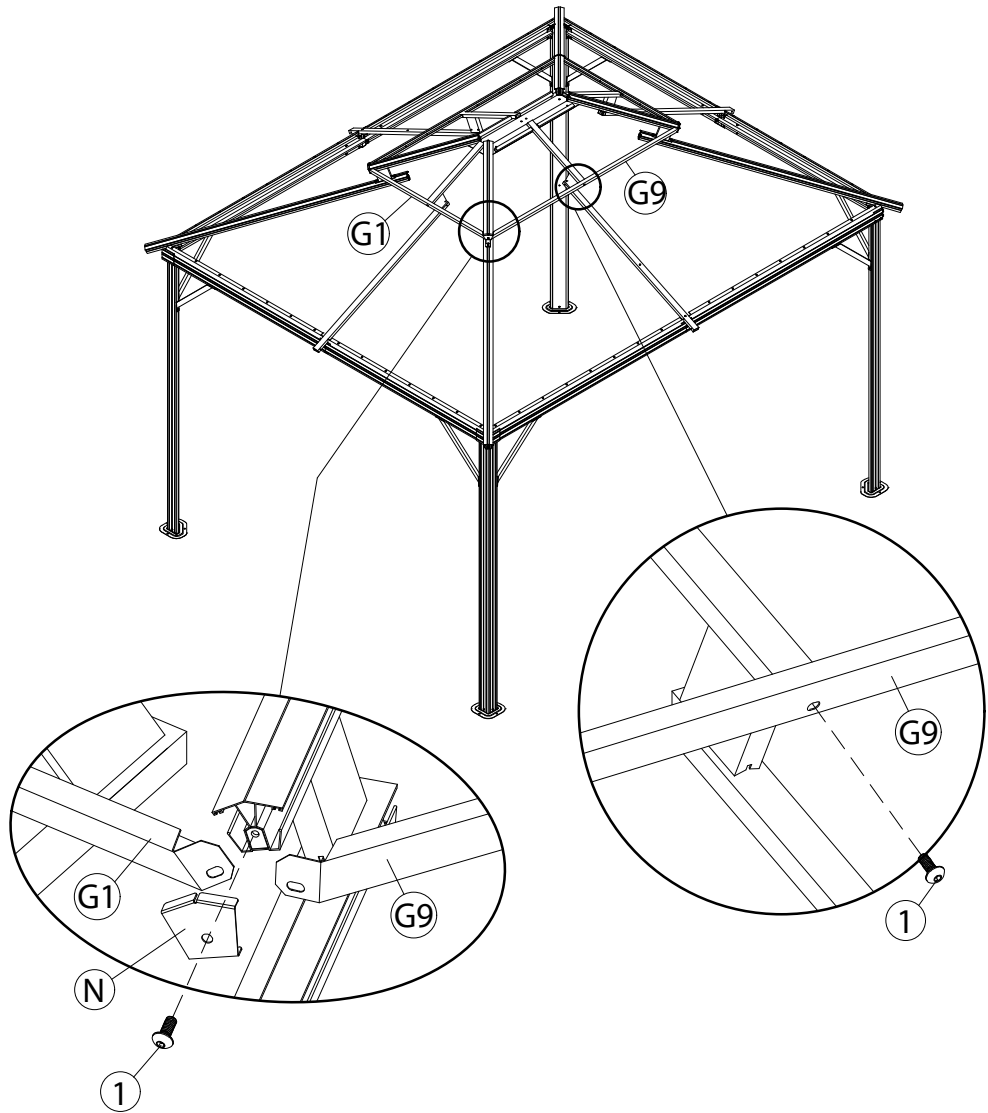
Step 8


D15 4x

D16 2x

D17 2x

Q1 4x
 M6x15
1 16x
 M6x35
16 8x



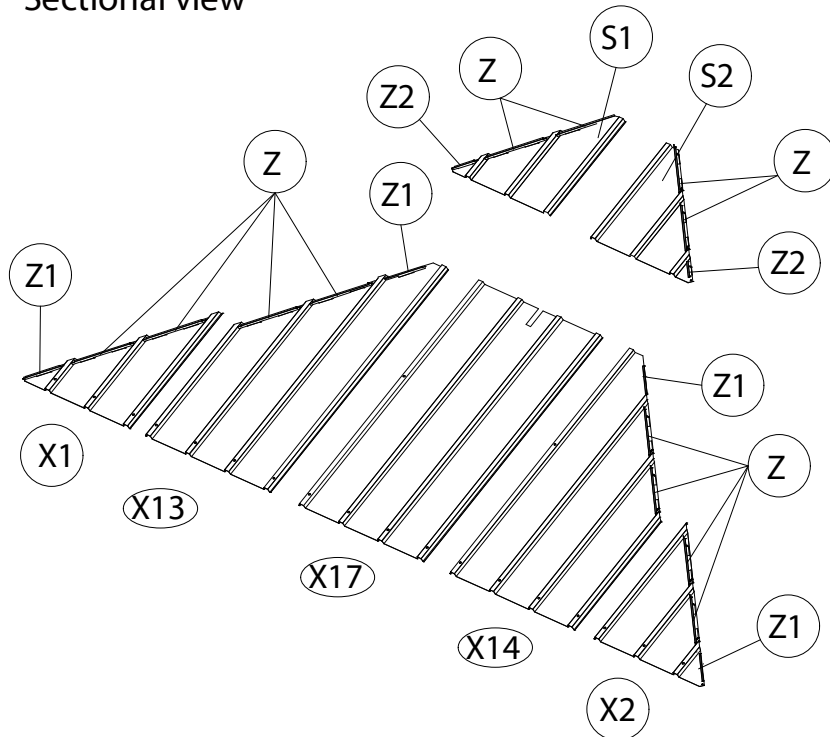
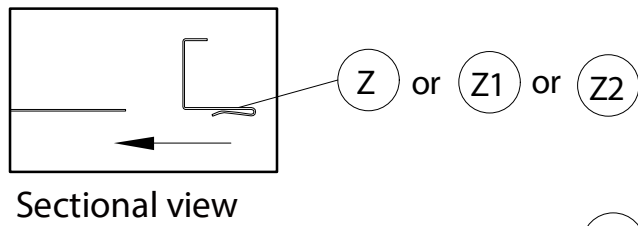
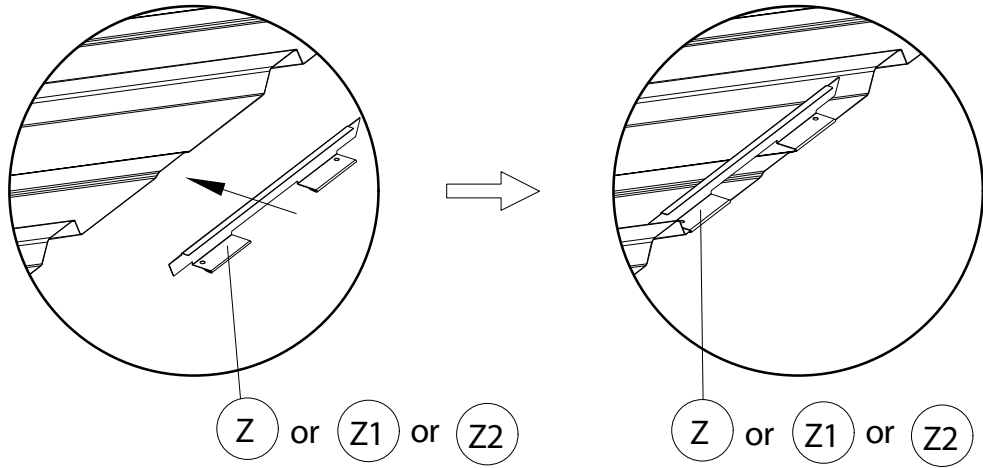
Step 9

- 
G1 2x
- 
G9 2x
- 
N 4x
- 
M6x15
1 8x

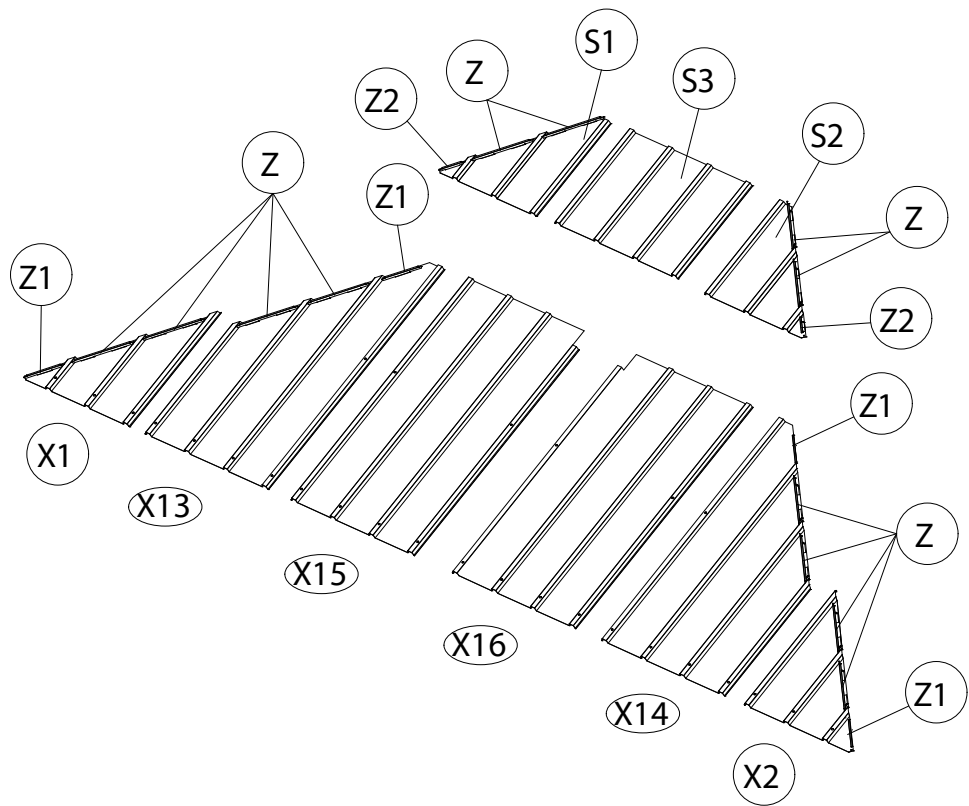
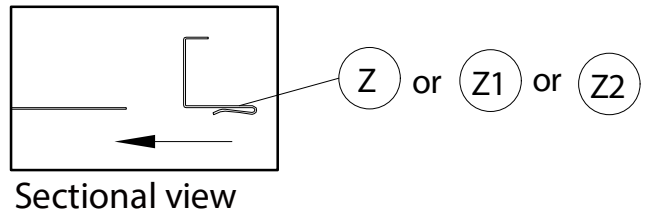
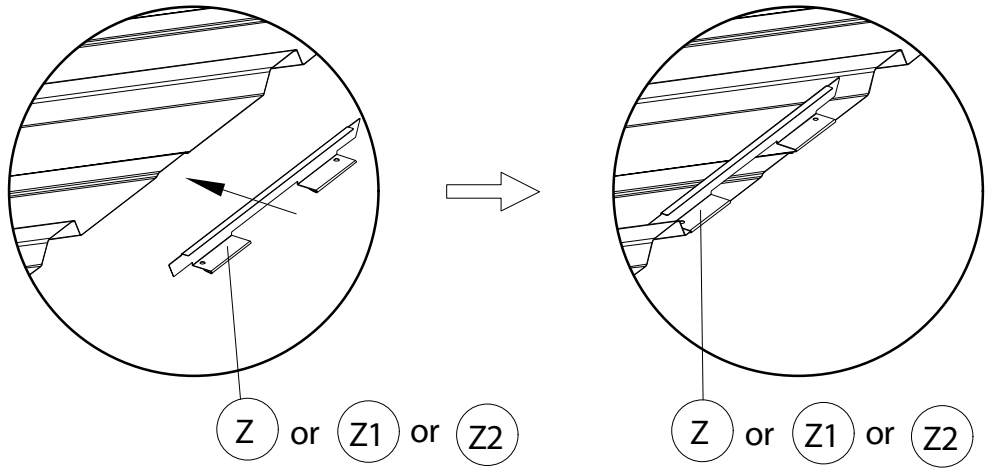
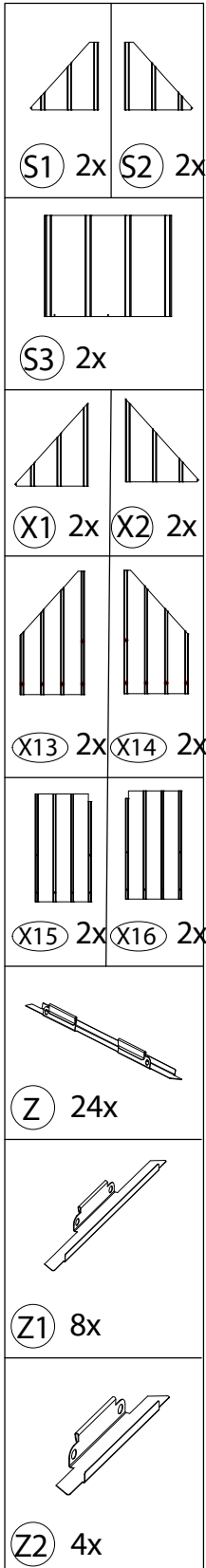


Step 10

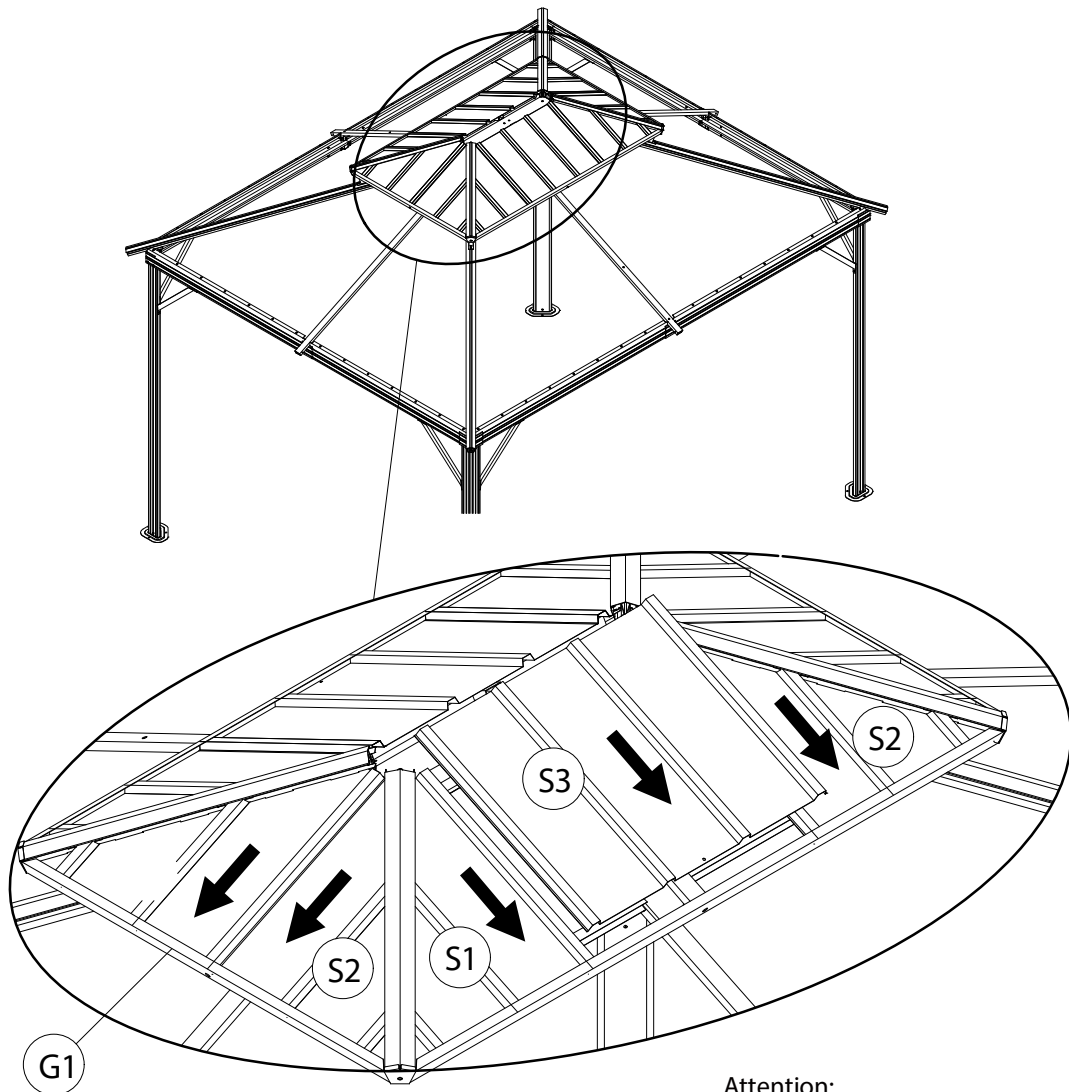
(S1) 2x	(S2) 2x
(X1) 2x	(X2) 2x
(X13) 2x	(X14) 2x
(X17) 2x	
(Z) 24x	
(Z1) 8x	
(Z2) 4x	



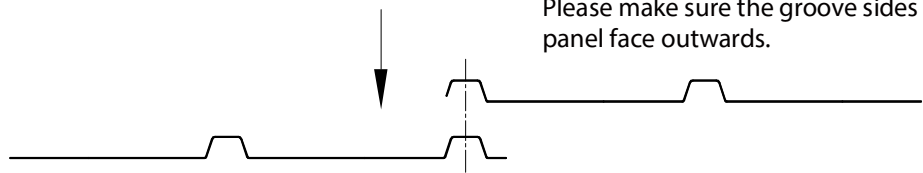
Step 11



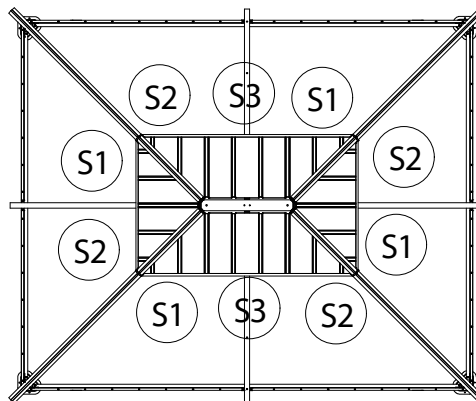
Step 12



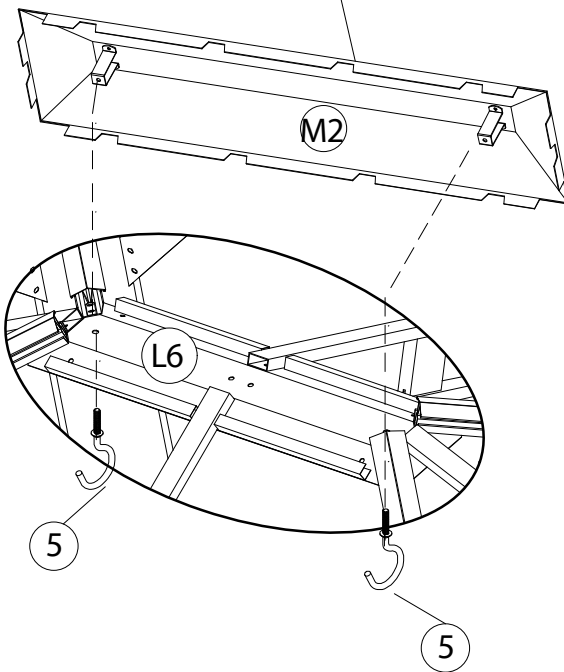
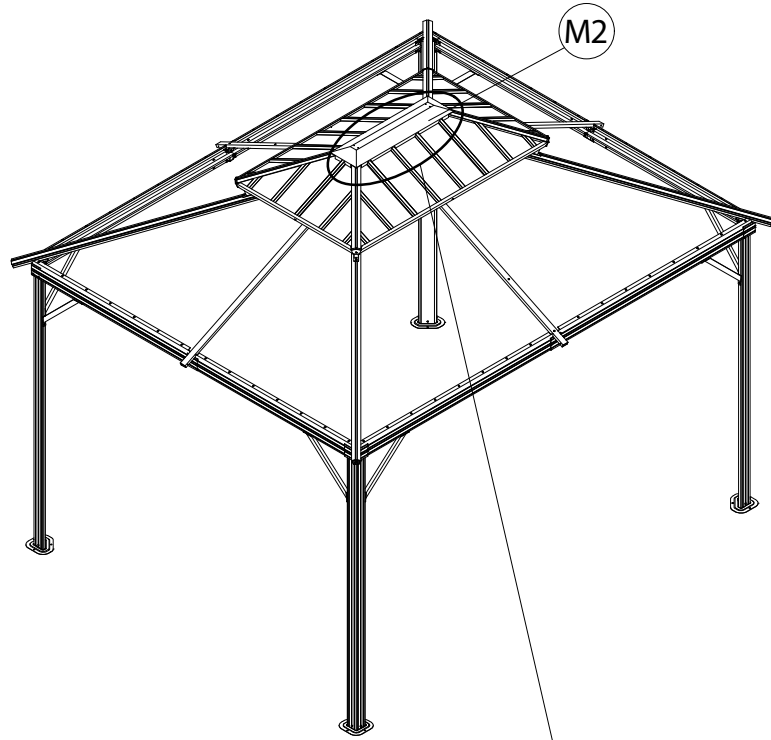
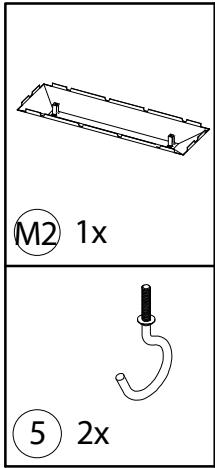
Attention:
Please make sure the groove sides of the panel face outwards.






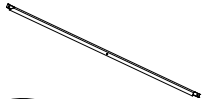

When installing the Roof Panels (S2) onto short side, please detach the right end of Roof Ribs (G1) first. And then install the right end of Roof Ribs (G1) again after Roof Panels (S2) are installed.

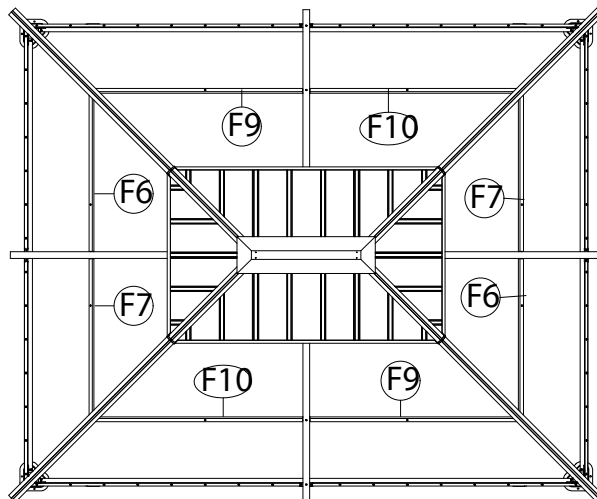
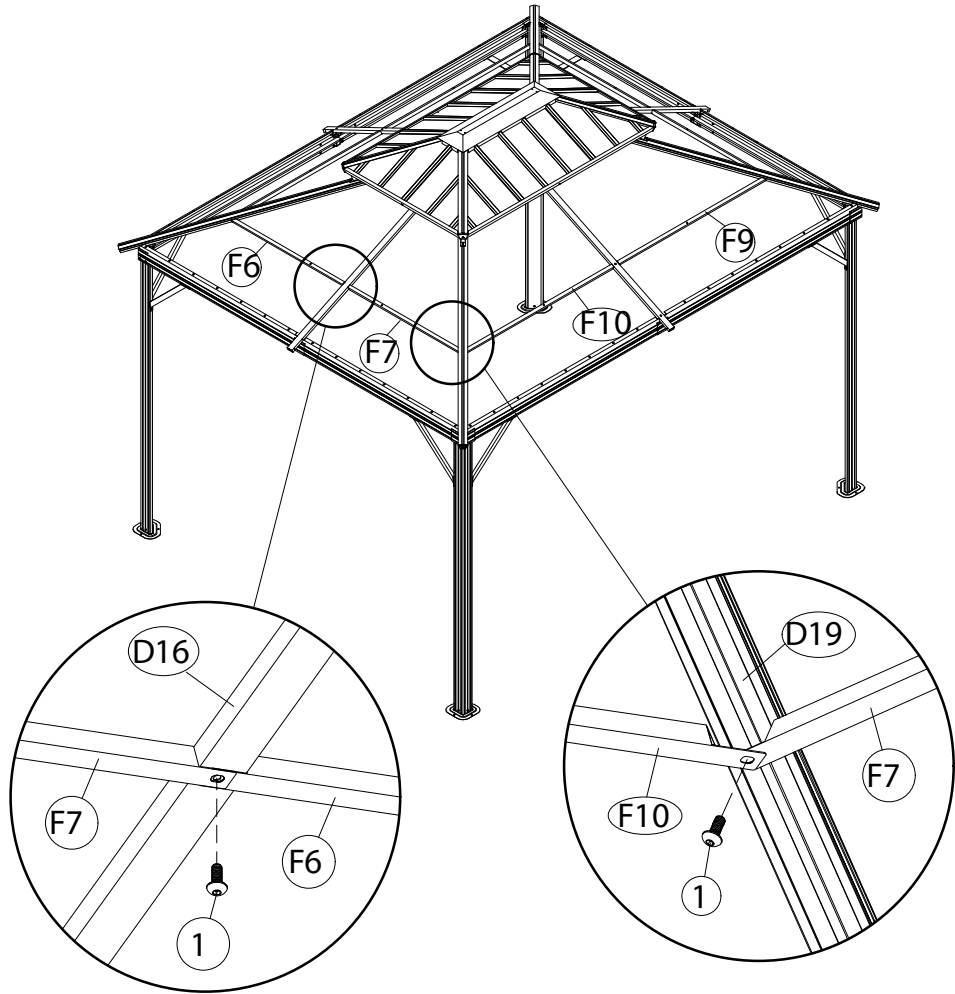


Step 13

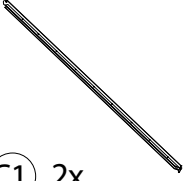


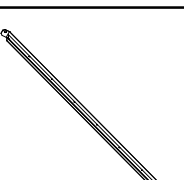

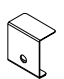



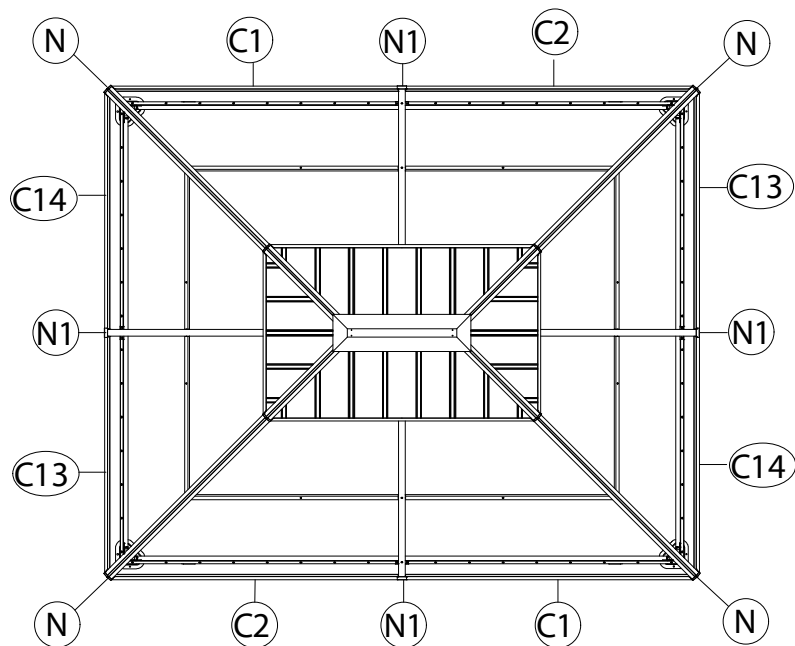
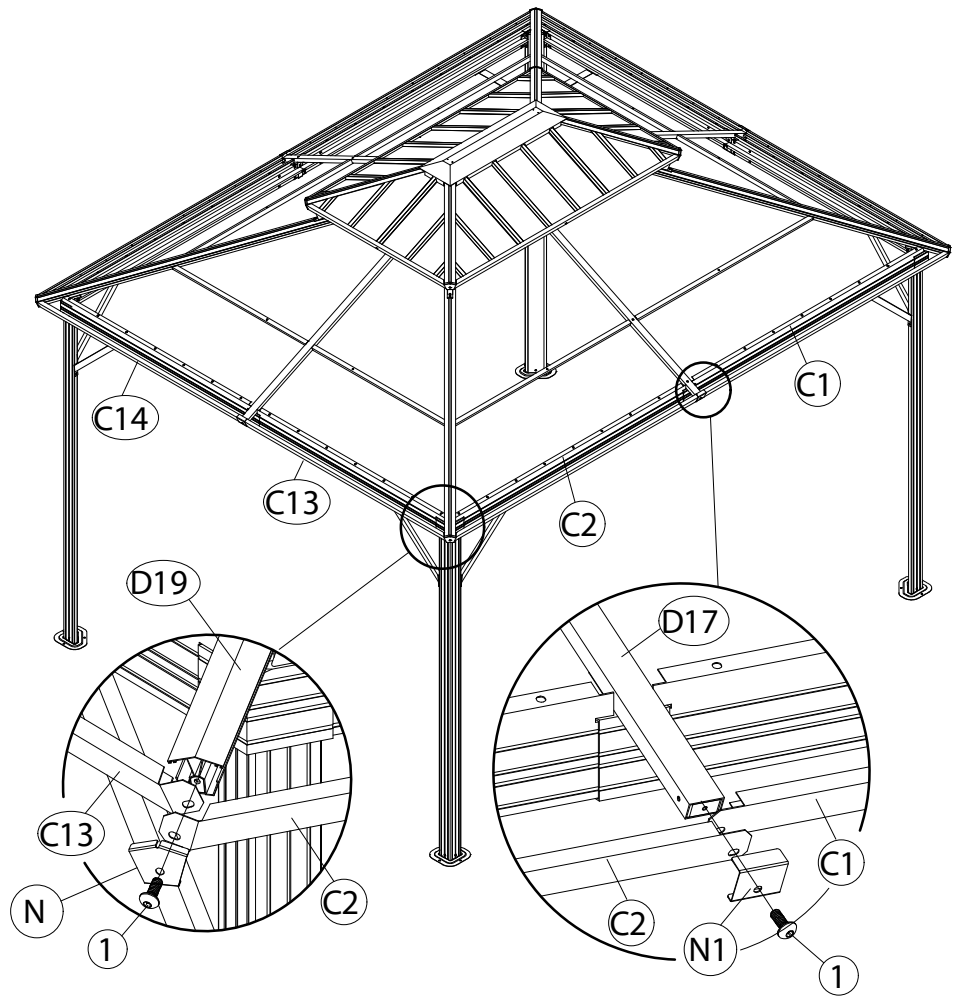
Step 14


(F7) 2x

(F6) 2x

(F9) 2x

(F10) 2x
 M6x15
(1) 8x

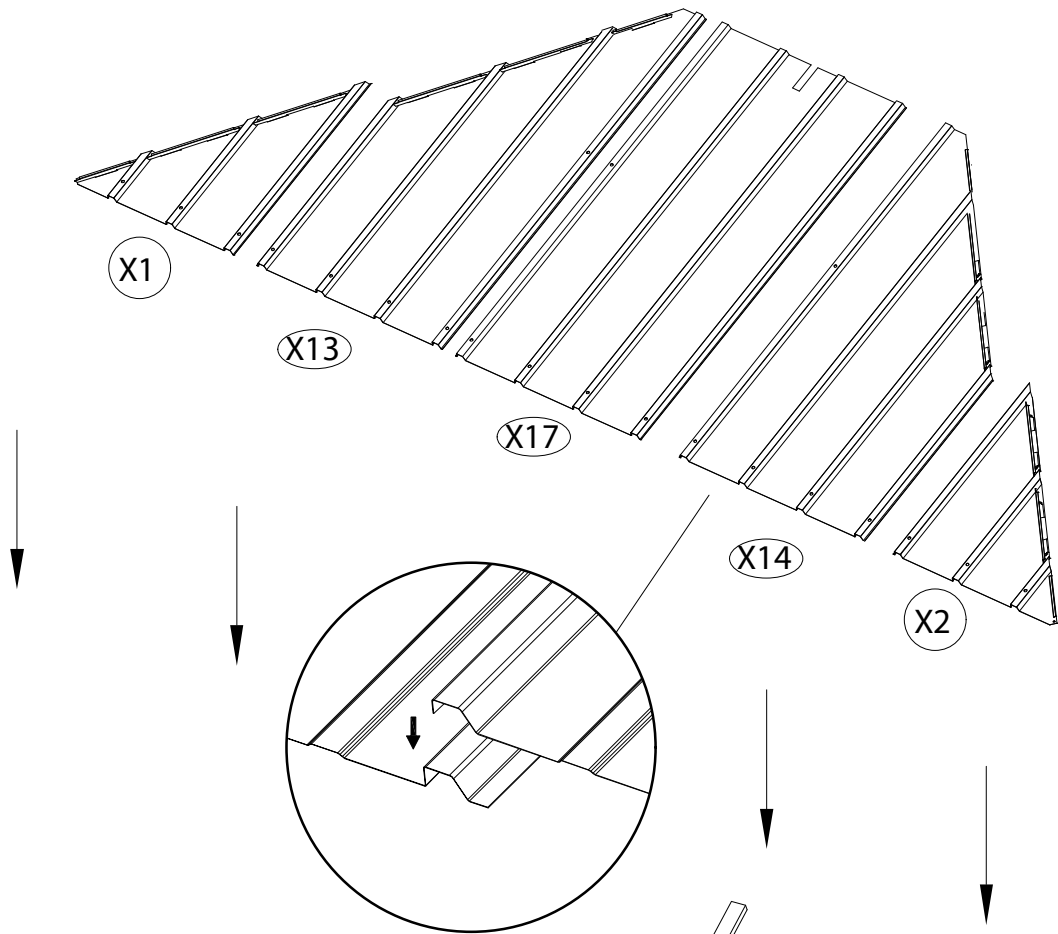


Step 15

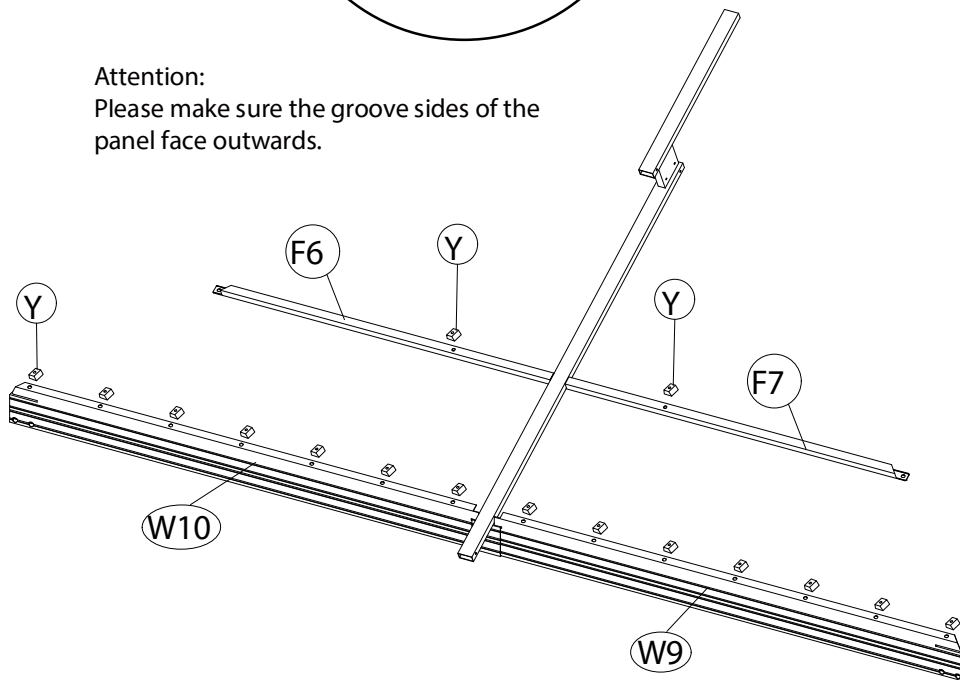
-  C1 2x
-  C2 2x
-  C13 2x
-  C14 2x
-  N 4x
-  N1 4x
-  1 8x
M6x15



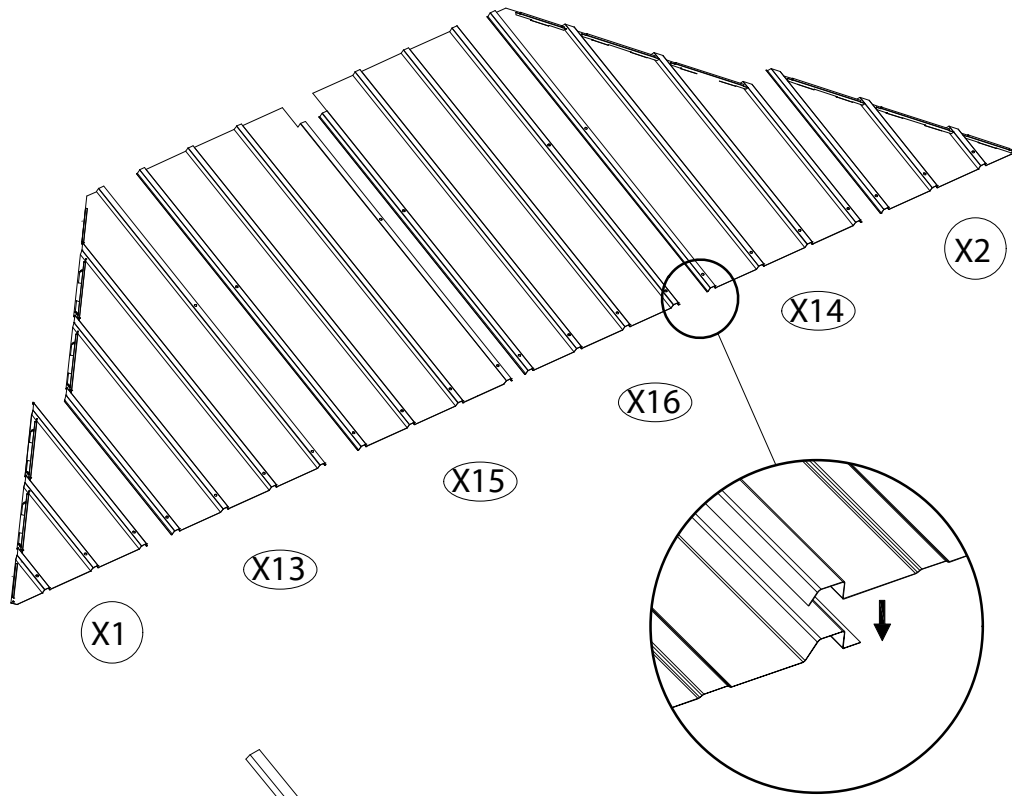
Step 16



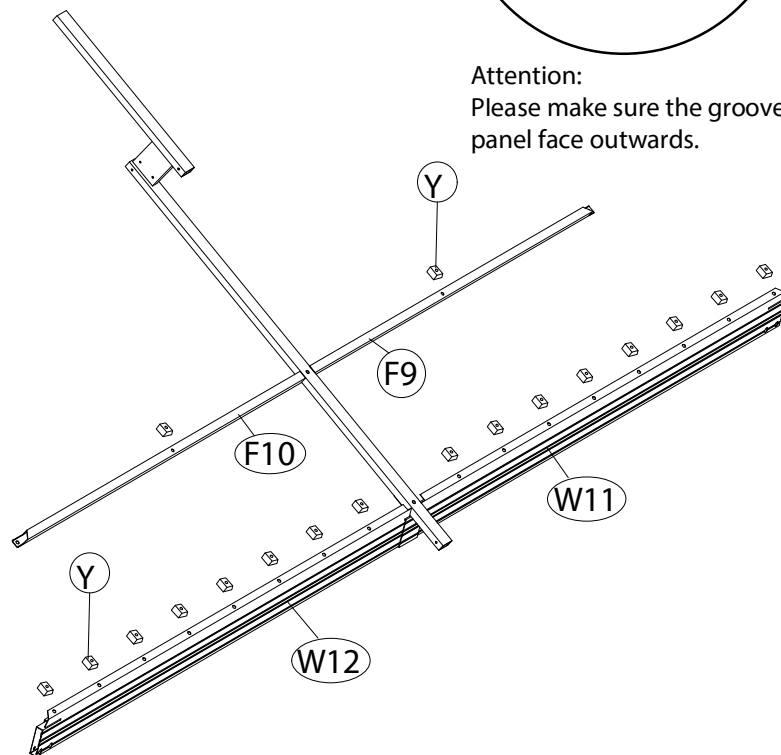
Attention:
Please make sure the groove sides of the
panel face outwards.



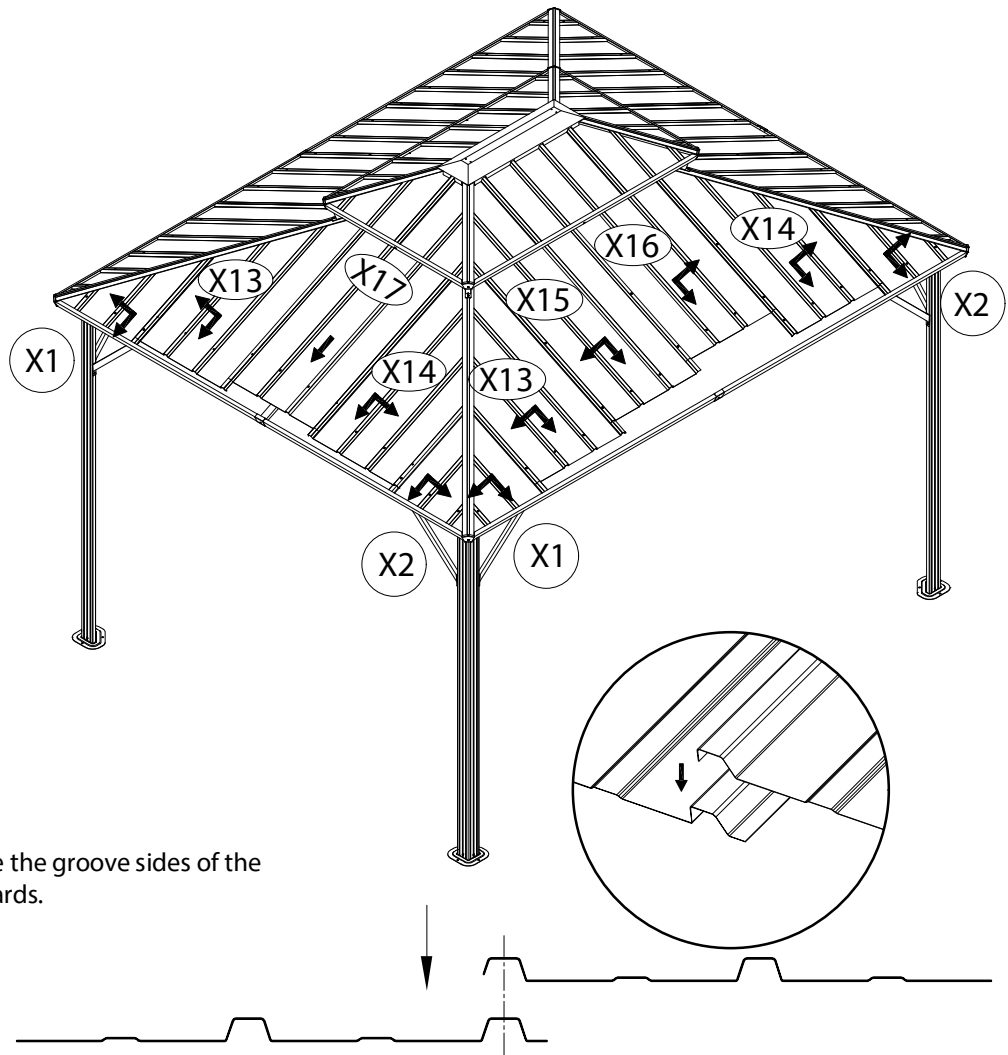
Step 17



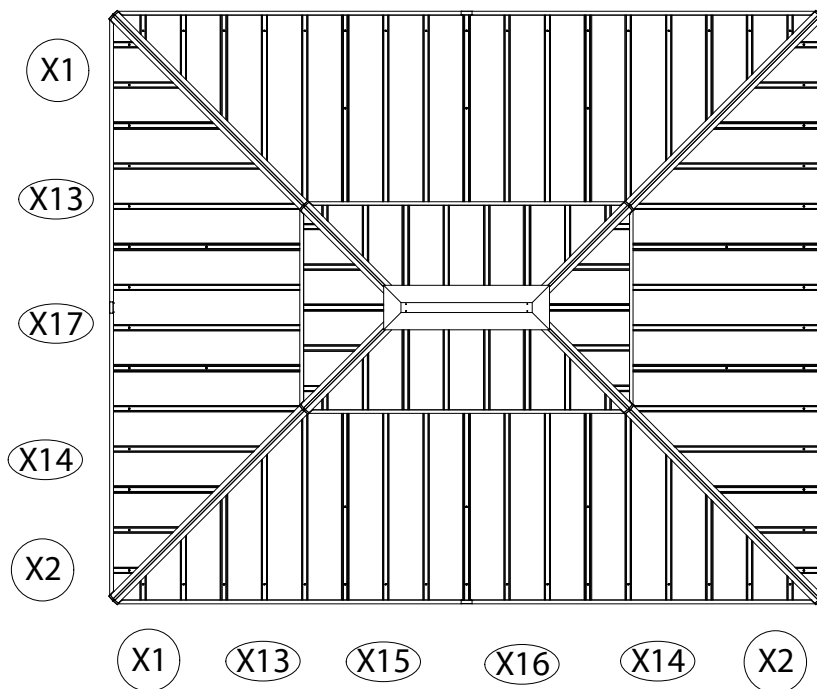
Attention:
Please make sure the groove sides of the panel face outwards.



Step 18



Attention:
Please make sure the groove sides of the panel face outwards.



Step 19



Y 68x



M6x25

3 4x



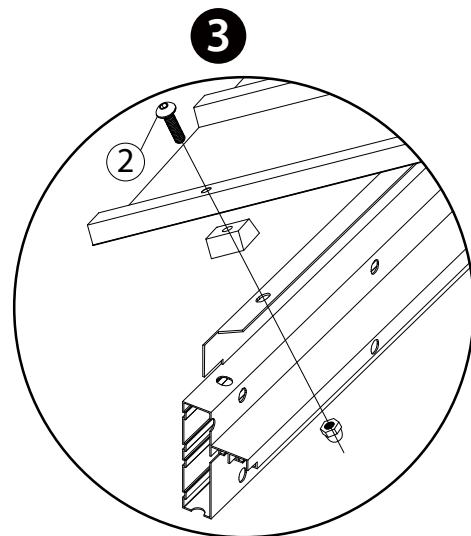
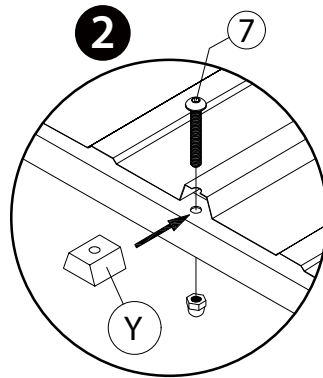
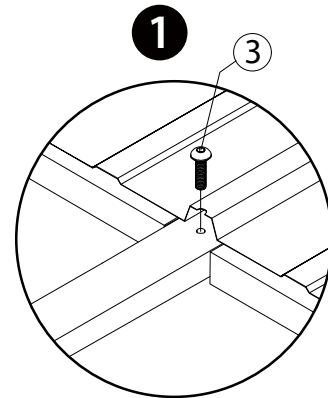
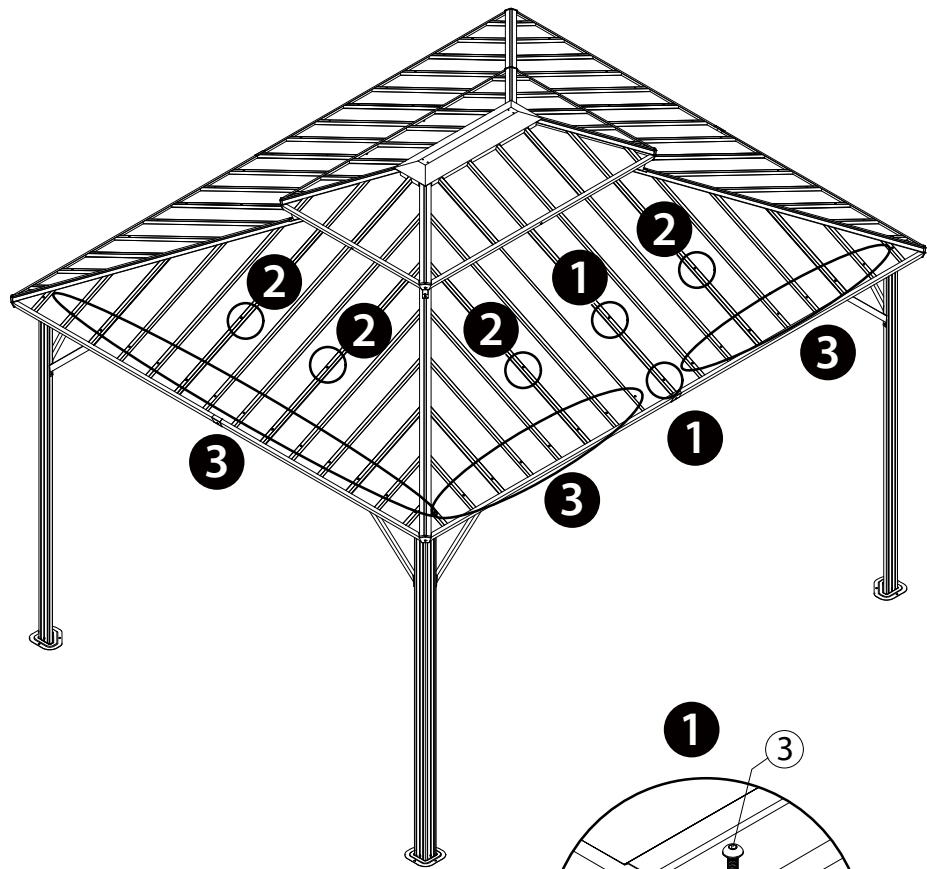
M6x23

2 60x



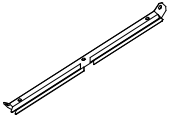
M6x45

7 8x

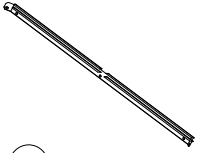


Note: When install the roof panels, if the roof panels are slightly uneven, please press the screws from the top of the panels until the bottom screw thread is exposed by 3 to 4 mm, and then screw on the nut.

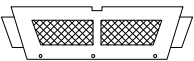
Step 20



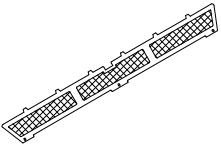
11 2x



19 2x



V1 2x



V6 2x



N 4x



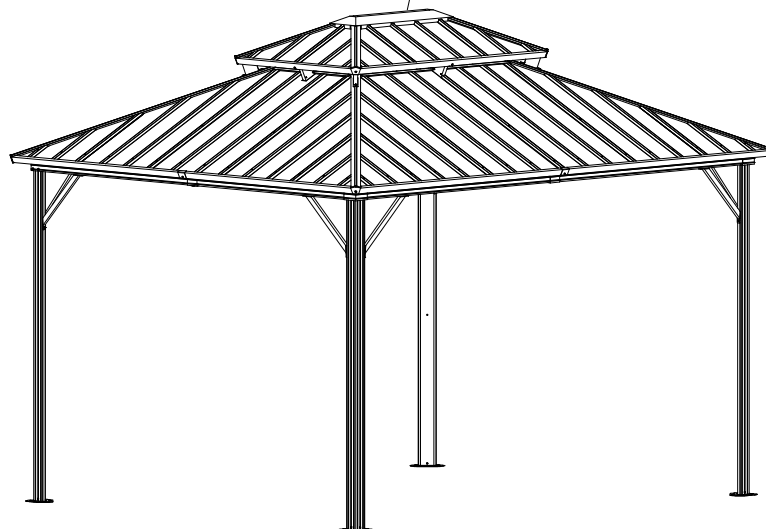
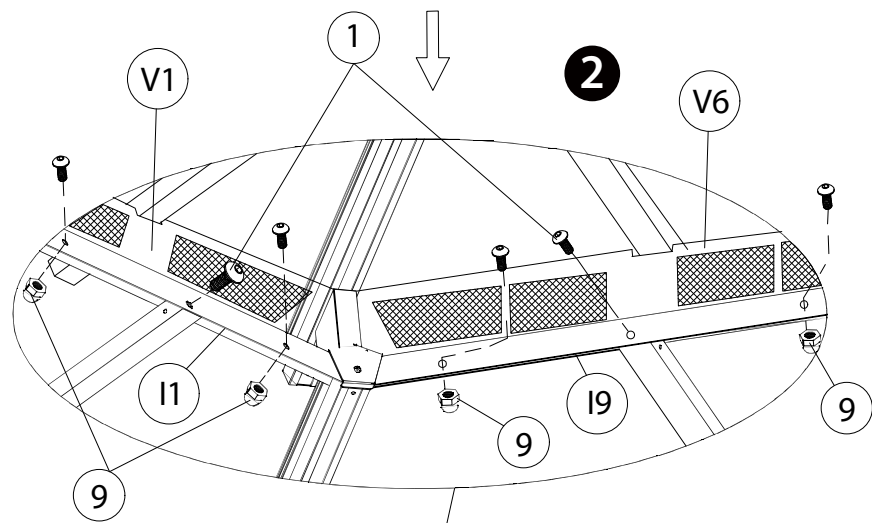
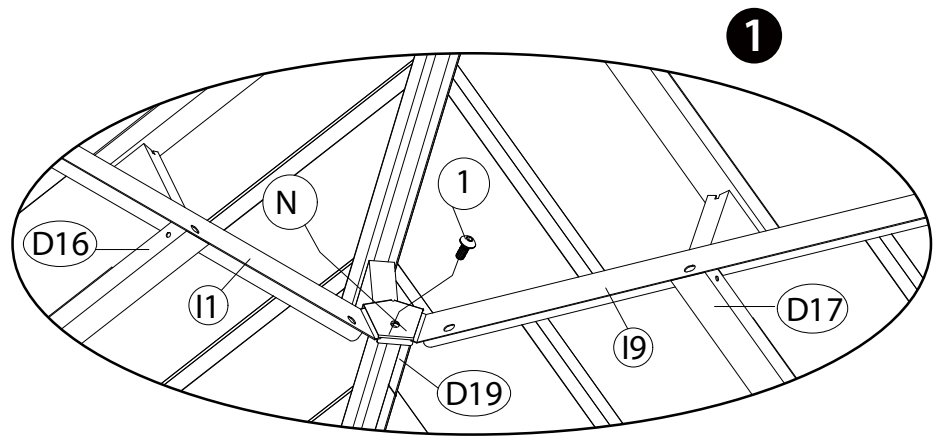
M6x15

1 8x

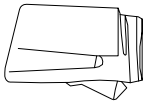


M6x10

9 8x



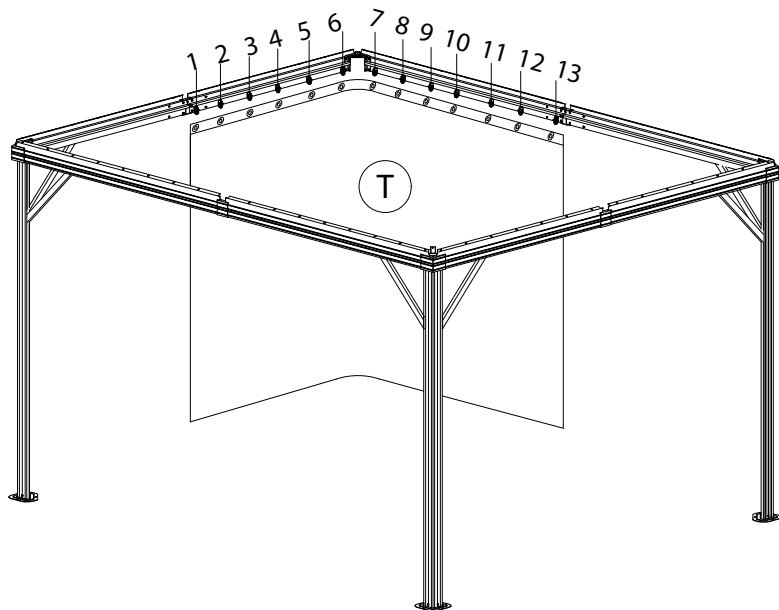
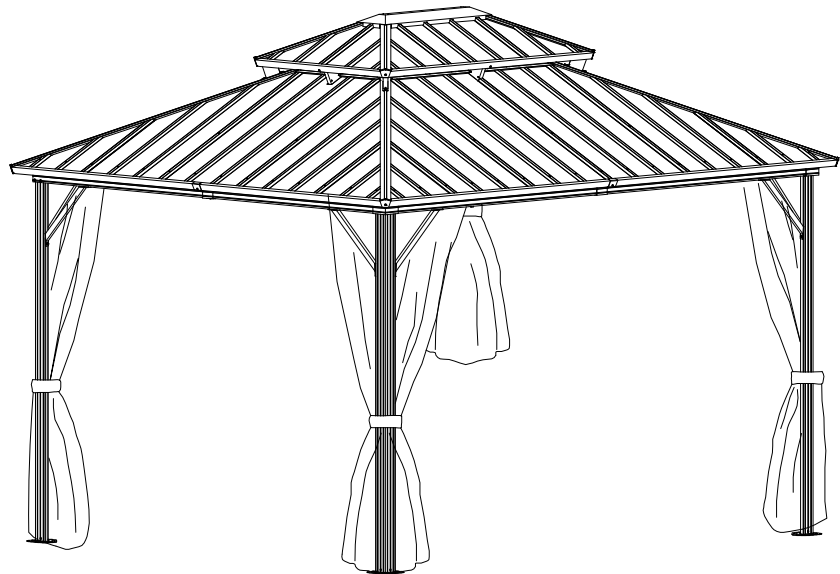
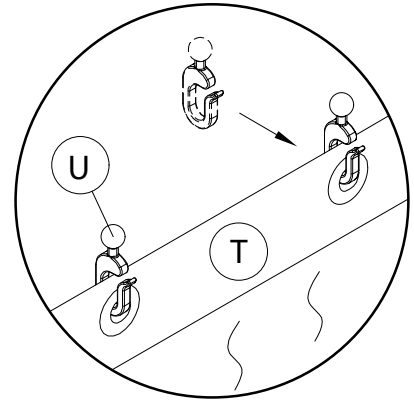
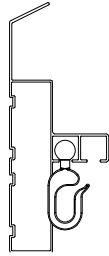
Step 21



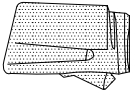
T 4x



U1 52x



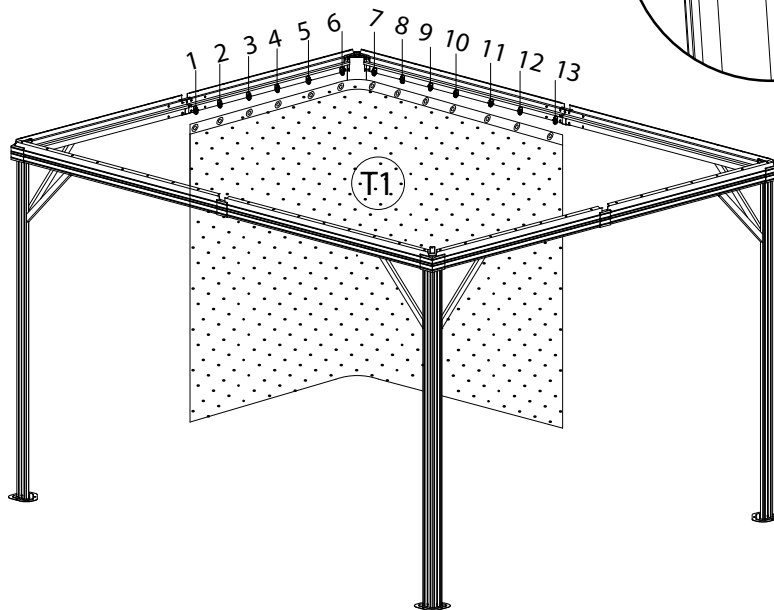
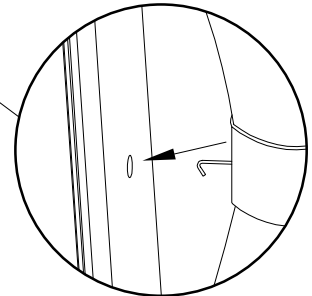
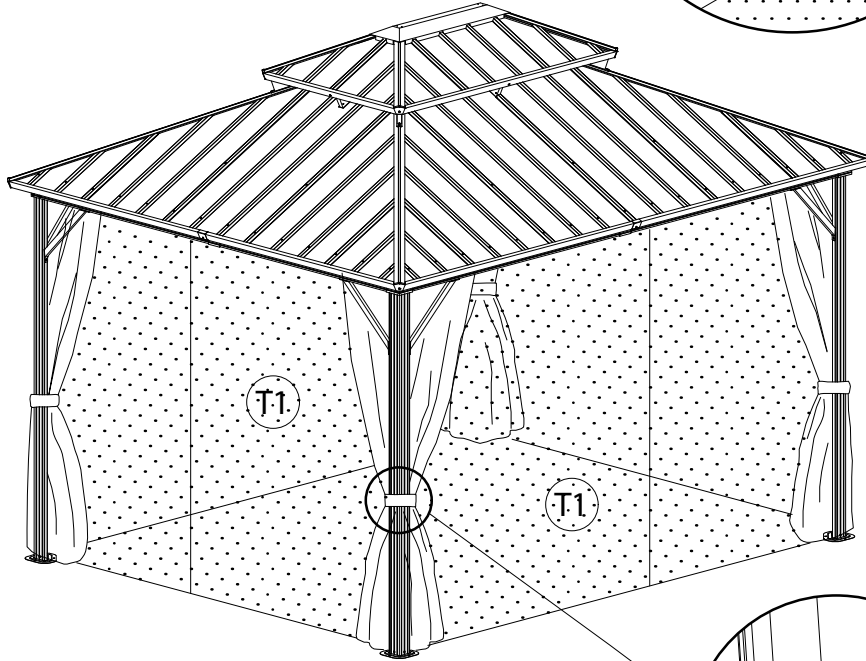
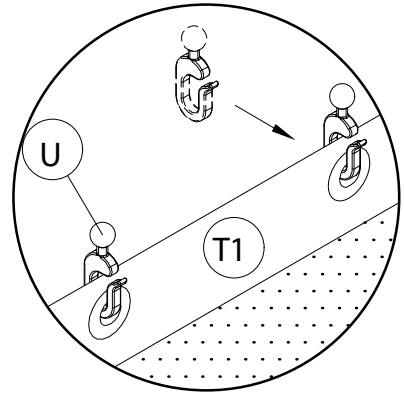
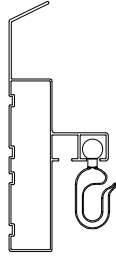
Step 22



T1 4x



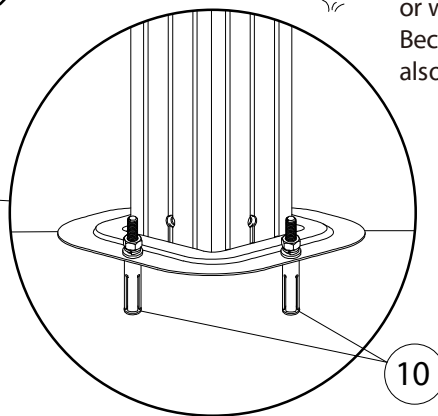
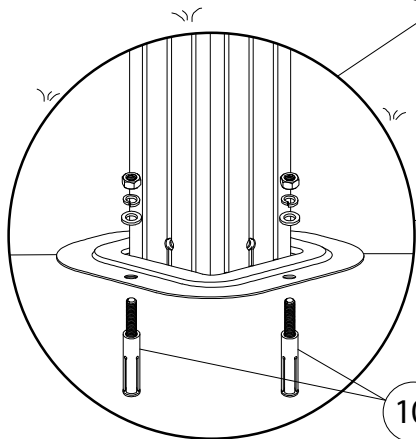
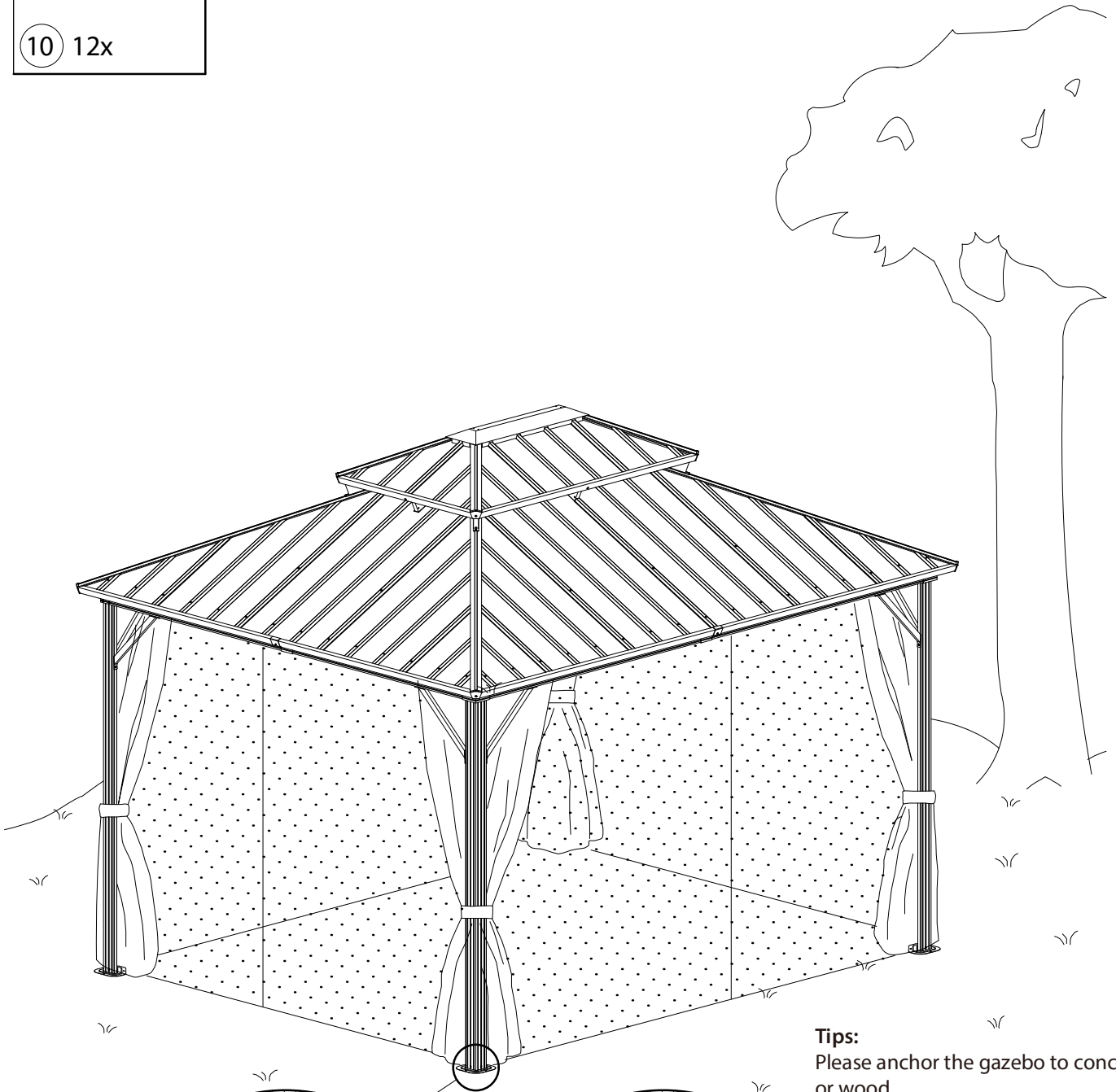
U1 52x



Step 23



10 12x



Tips:

Please anchor the gazebo to concrete or wood.

Because gazebo is heavier, you can also do the anchoring step at step 4.





