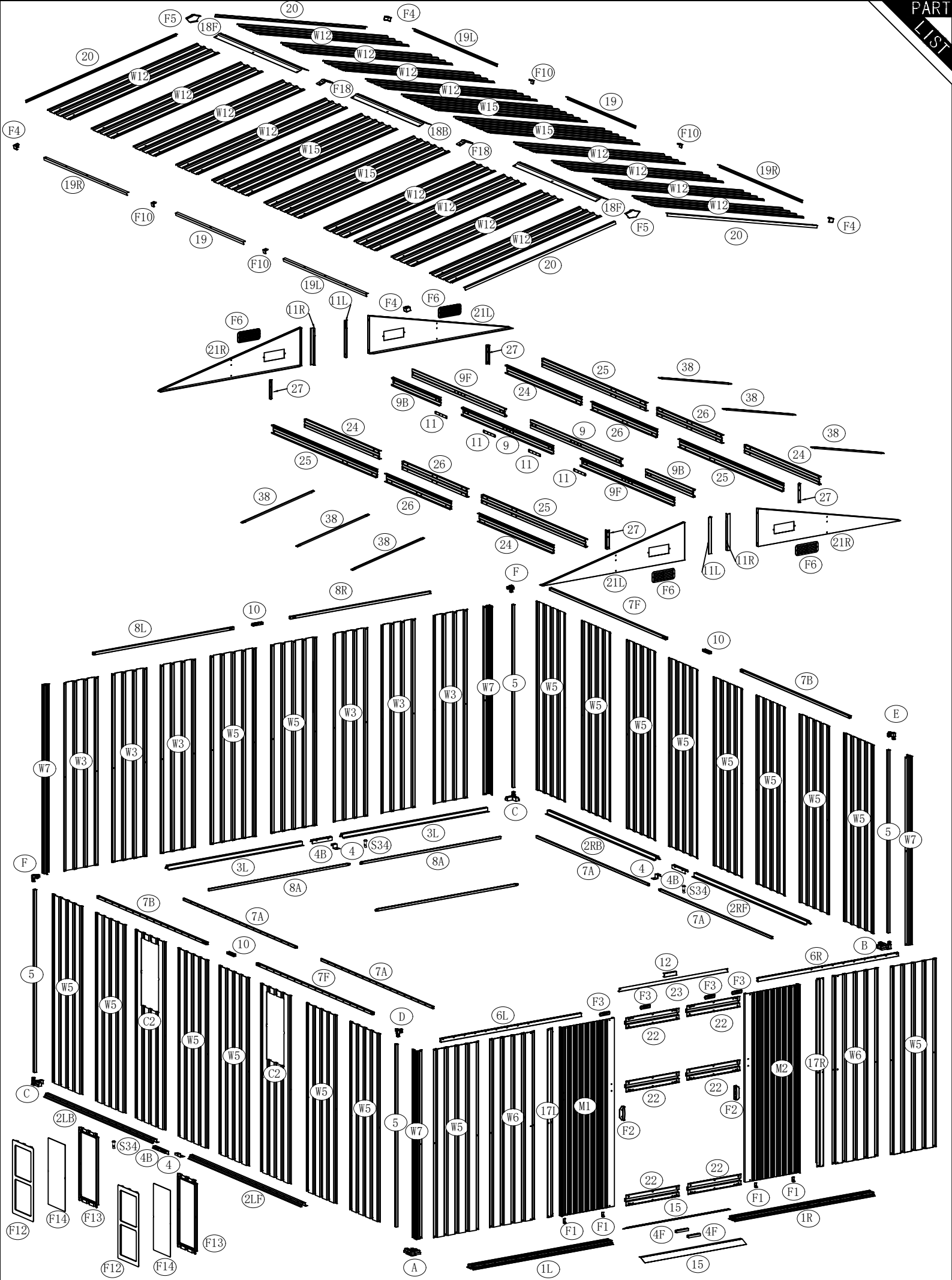




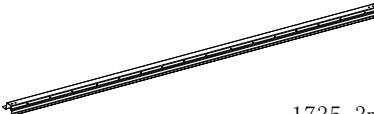
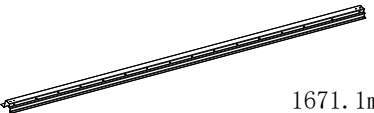




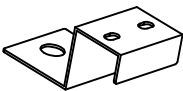
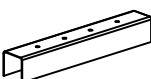
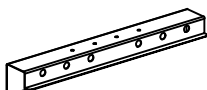

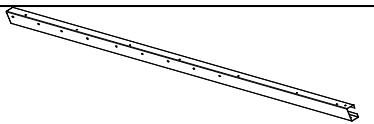
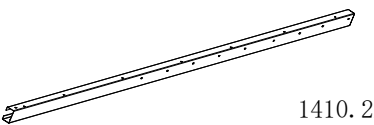
METAL GARDEN SHED





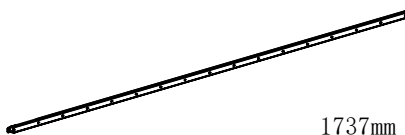

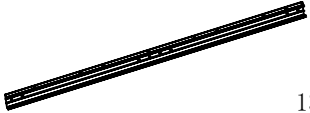


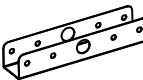
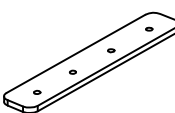


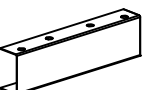
10X12FT

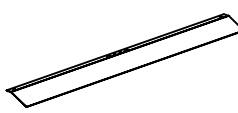
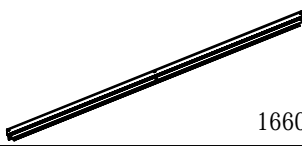
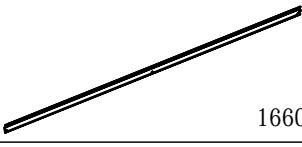
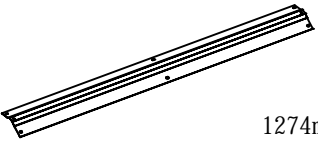
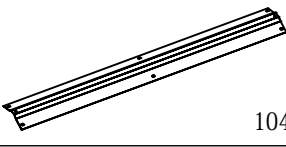
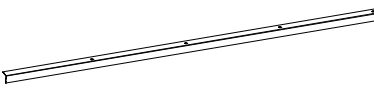


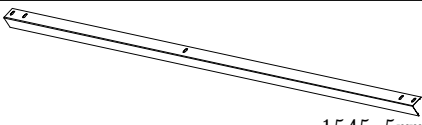
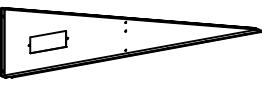
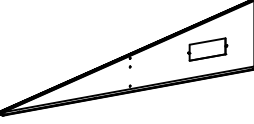
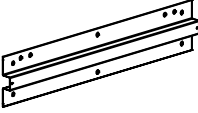
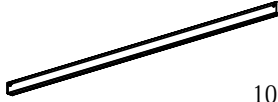

Instructions for Assembly

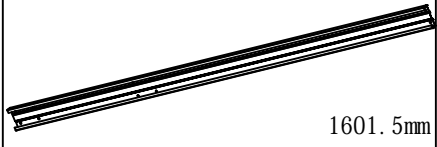

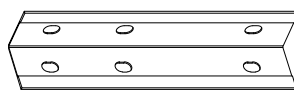



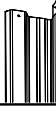
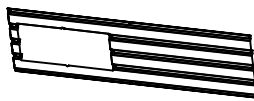


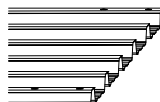
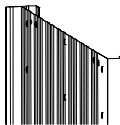
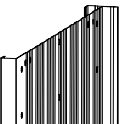
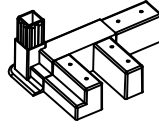


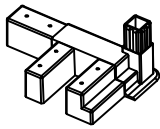
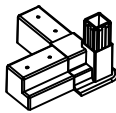
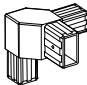
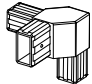
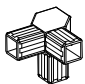
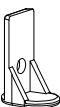
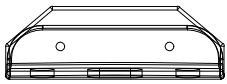
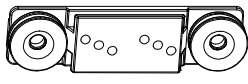

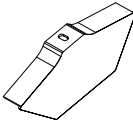
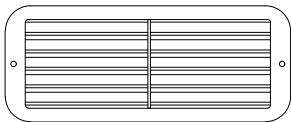
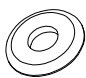
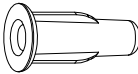
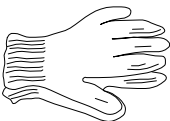


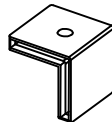
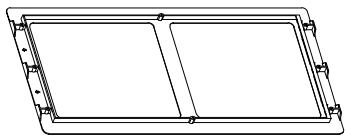
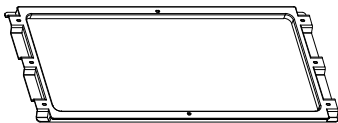

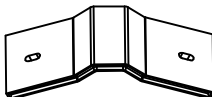
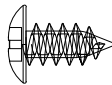
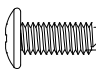

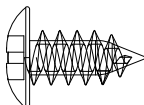

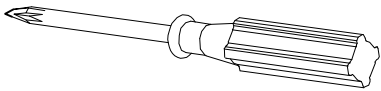
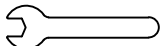
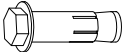
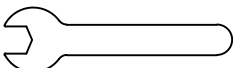
NO.	PART.	Qty.
1L	 1403.6mm	1
1R	 1403.6mm	1
2LF	 1735.3mm	1
2LB	 1671.1mm	1
2RF	 1735.3mm	1
2RB	 1671.1mm	1
3L	 1350.1mm	1
3R	 1457.1mm	1
4		3
4F	 120mm	2
4B	 200mm	3
5	 1610mm	4
6L	 1410.2mm	1
6R	 1410.2mm	1





NO.	PART.	Qty.
7F	 1784.7mm	2
7B	 1677.7mm	2
8L	 1410.2mm	1
8R	 1410.2mm	1
7A	 1737mm	4
8A	 1416mm	2
9	 1391mm	2
9F	 1426.8mm	2
9B	 731.3mm	2
10	 100mm	3
11	 180mm	4
11L	 320mm	2
11R	 320mm	2
12	 120mm	1

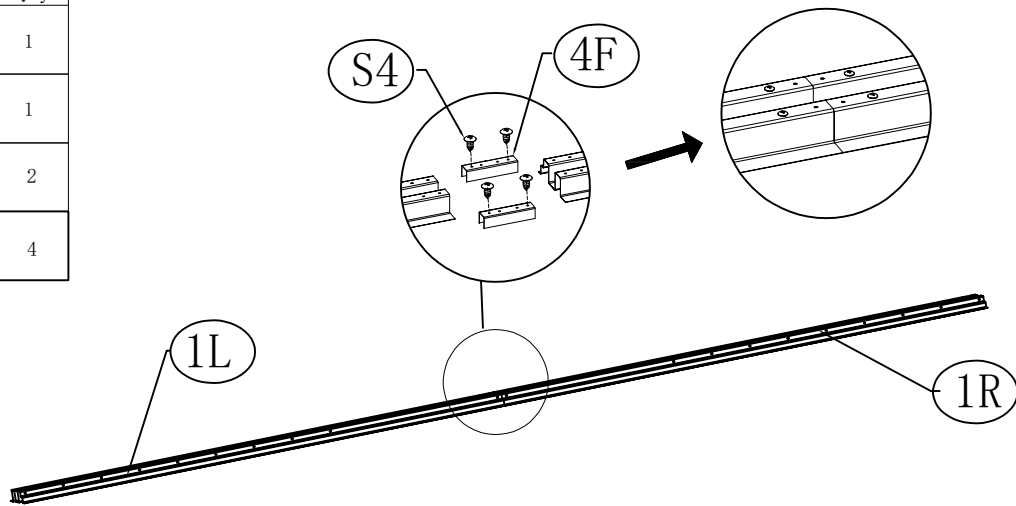
NO.	PART.	Qty.
15	 1020mm	1
17L	 1660mm	1
17R	 1660mm	1
18F	 1274mm	2
18B	 1044mm	1
19L	 1274mm	2
19	 1044mm	2
19R	 1274mm	2
20	 1545.5mm	4
21L	 2	2
21R	 2	2
22	 532mm	6
23	 1090mm	1
24	 1151.5mm	4



NO.	PART.	Qty.
25	 1601.5mm	4
26	 1000mm	4
27	 165mm	4
38	 745.7mm	6
W3	 1660mm	6
W5	 1660mm	18
W7	 1660mm	4
C2	 1660mm	2
W6	 1660mm	2
W12	 1537.5mm	16
W15	 1537.5mm	4
M1	 1660mm	1
M2	 1660mm	1
A	 1	1

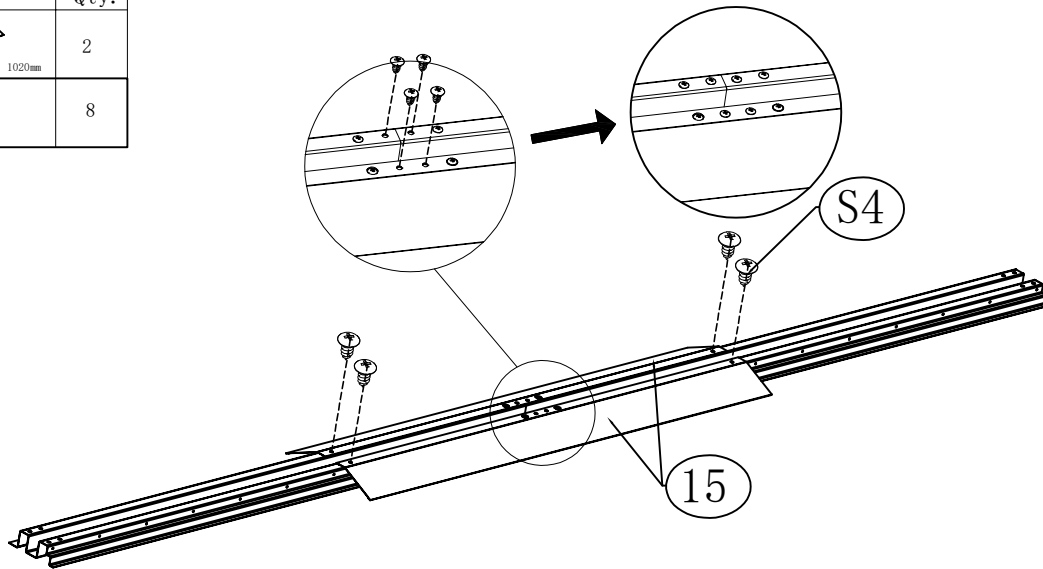
NO.	PART.	Qty.
B		1
C		2
D		1
E		1
F		2
F1		4
F2		2
F3		4
F4		4
F5		2
F6		4
F7		210
F8		110
F9		2





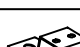
NO.	PART.	Qty.
F10		4
F12		4
F13		4
F14		4
F18		2
S4		588
S6		120
S7		104
S8		20
S9		4
S12		1
S15		1
S34	 M6X50mm	3
S35		1

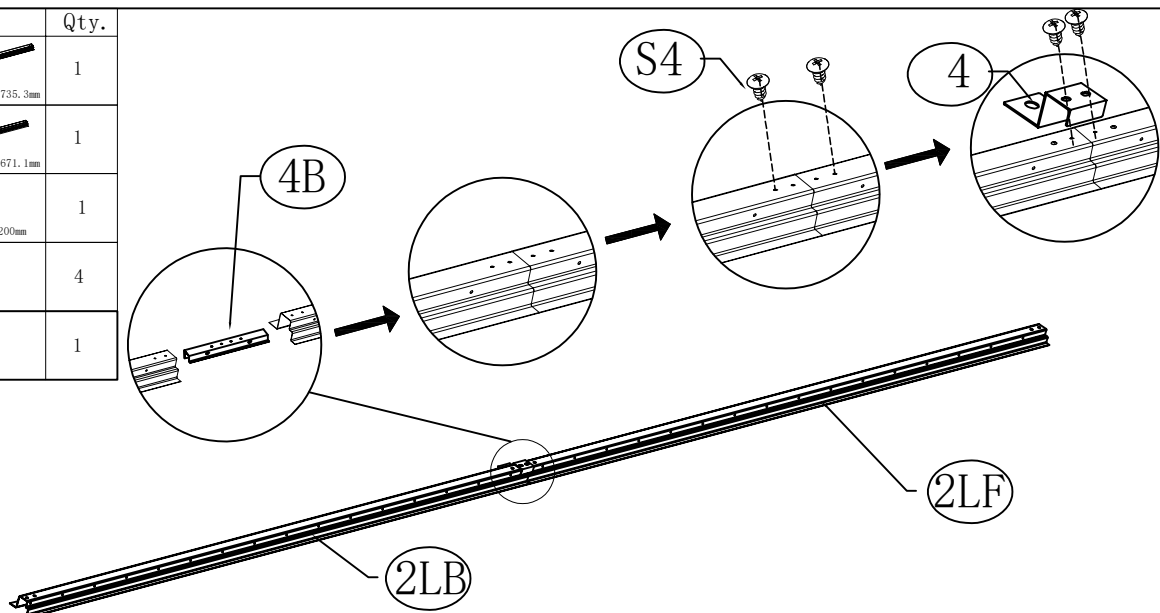
NO.	PART.	Qty.
1L	 1403.6mm	1
1R	 1403.6mm	1
4F	 120mm	2
S4		4



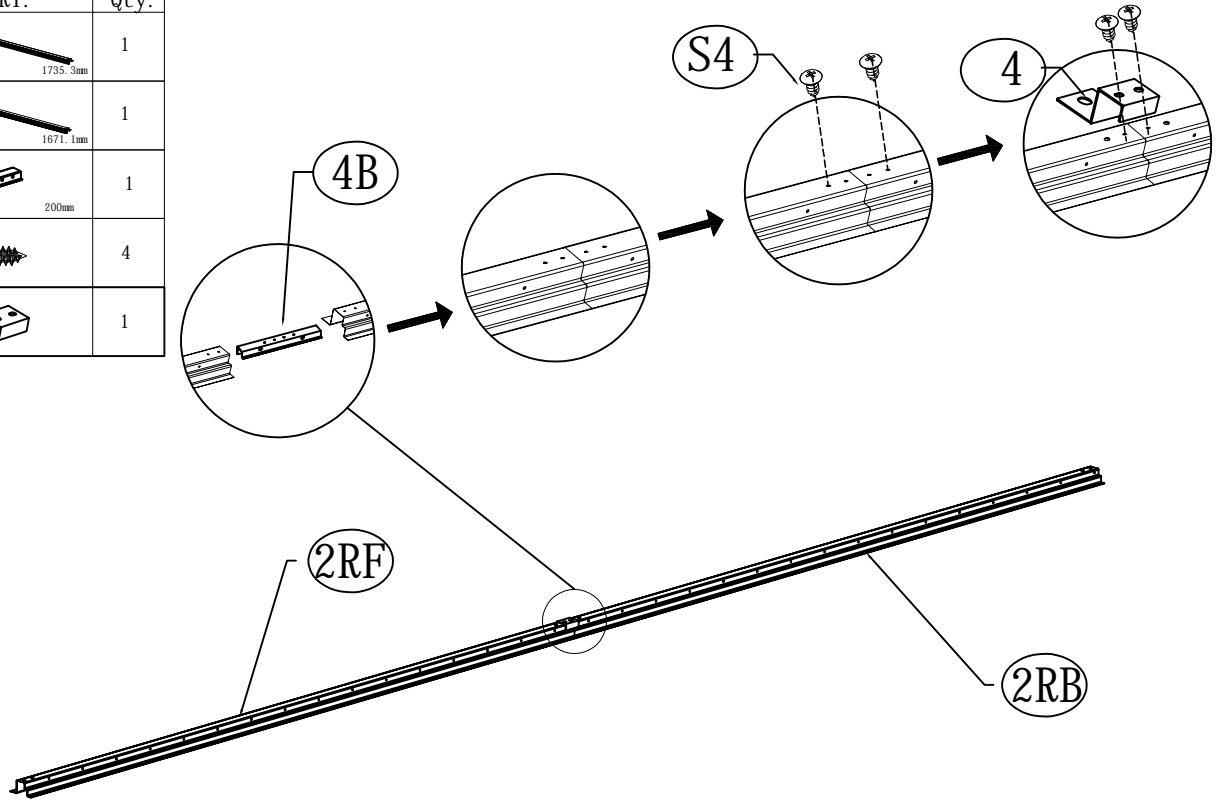
NO.	PART.	Qty.
15	 1020mm	2
S4		8



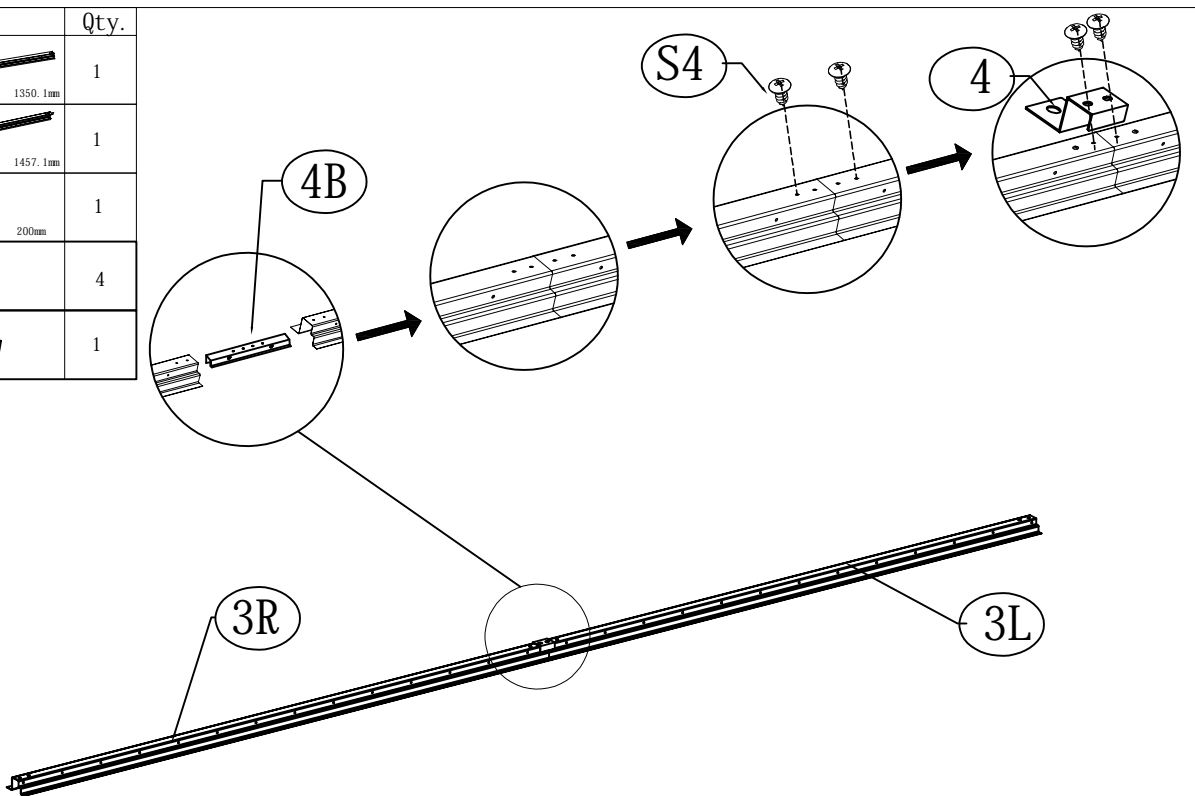
NO.	PART.	Qty.
2LF	 1735.3mm	1
2LB	 1671.1mm	1
4B	 200mm	1
S4		4
4		1







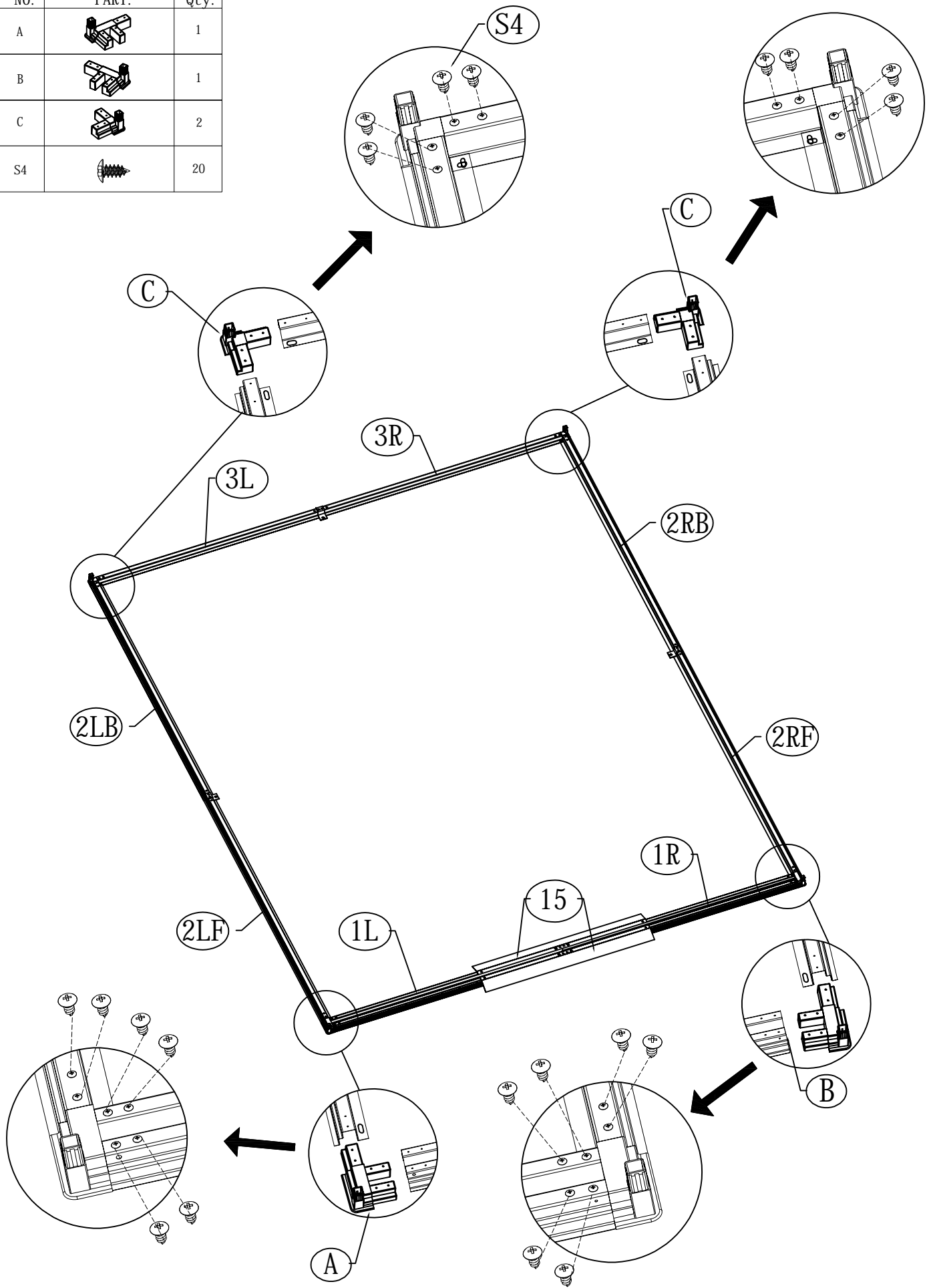
NO.	PART.	Qty.
2RF	 1735.3mm	1
2RB	 1671.1mm	1
4B	 200mm	1
S4		4
4		1




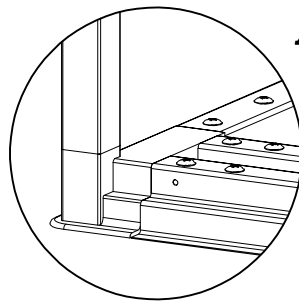
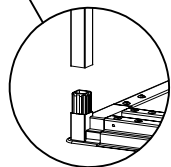
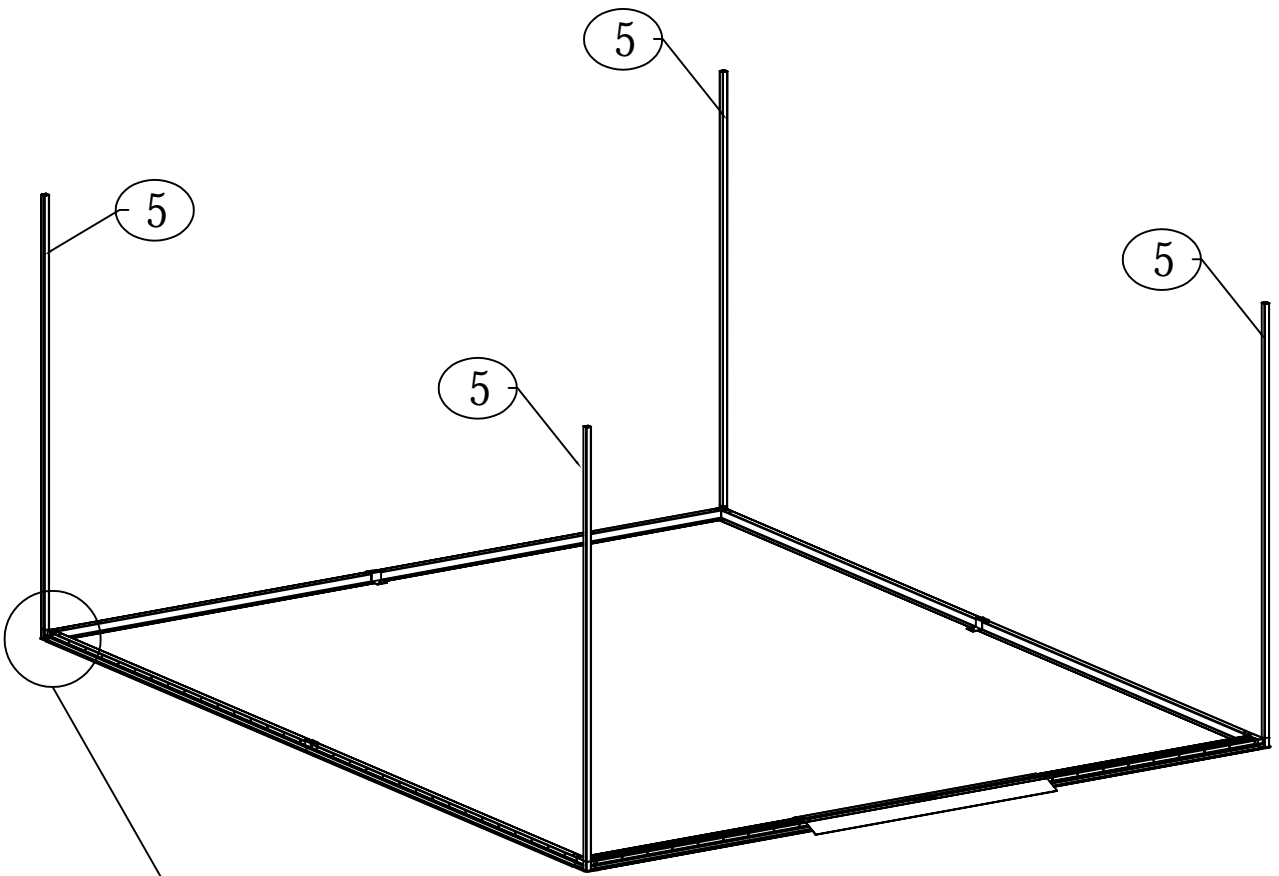
NO.	PART.	Qty.
3L	 1350.1mm	1
3R	 1457.1mm	1
4B	 200mm	1
S4		4
4		1



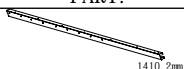




NO.	PART.	Qty.
A		1
B		1
C		2
S4		20

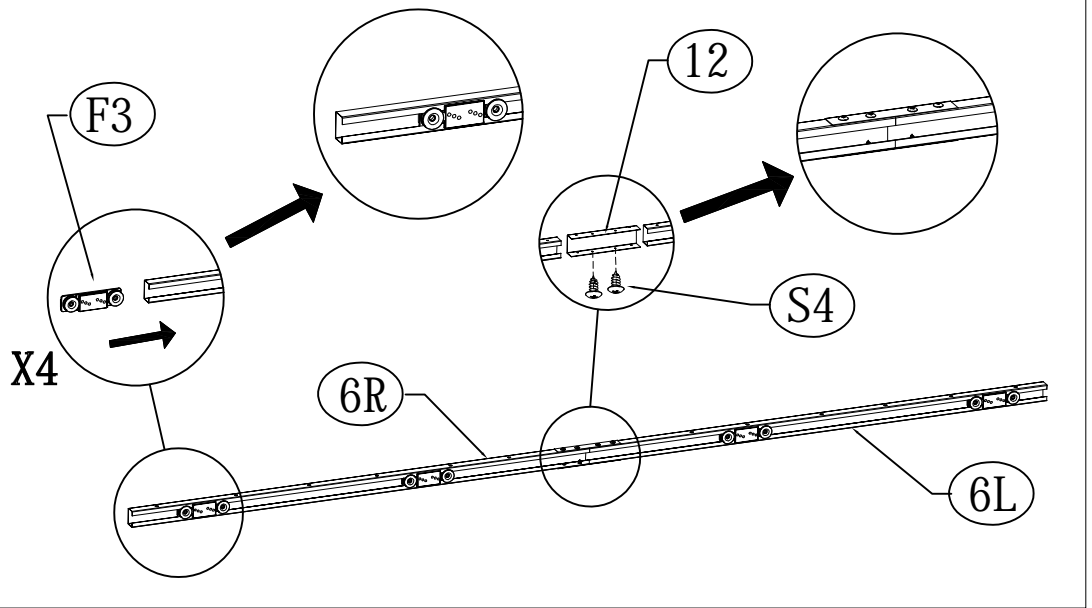




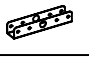

NO.	PART.	Qty.
5	 1610mm	4

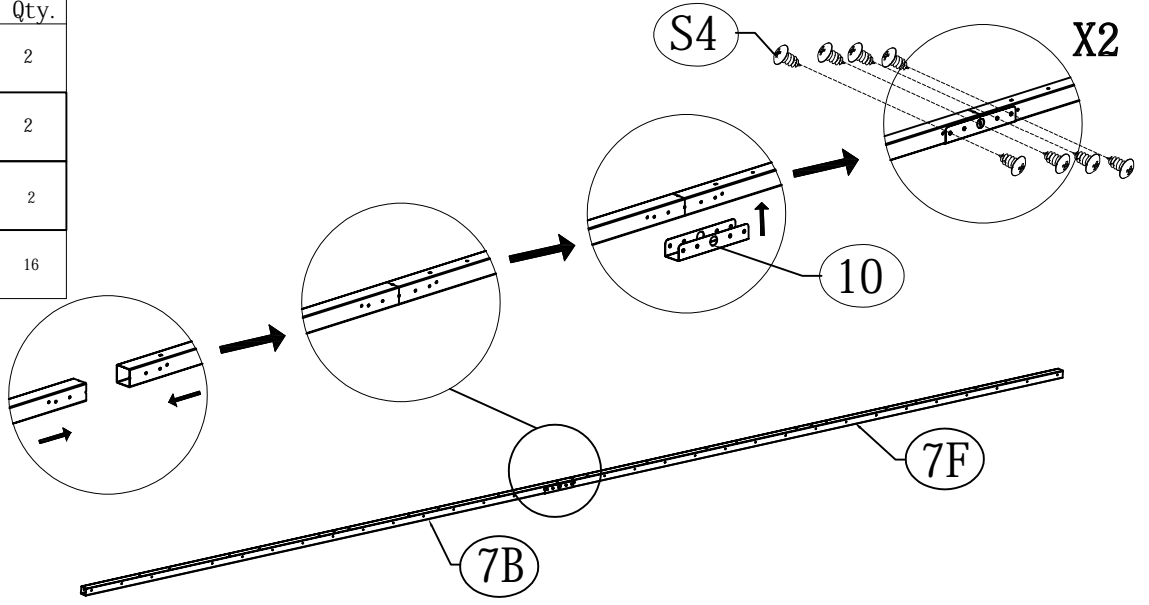




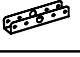

X4

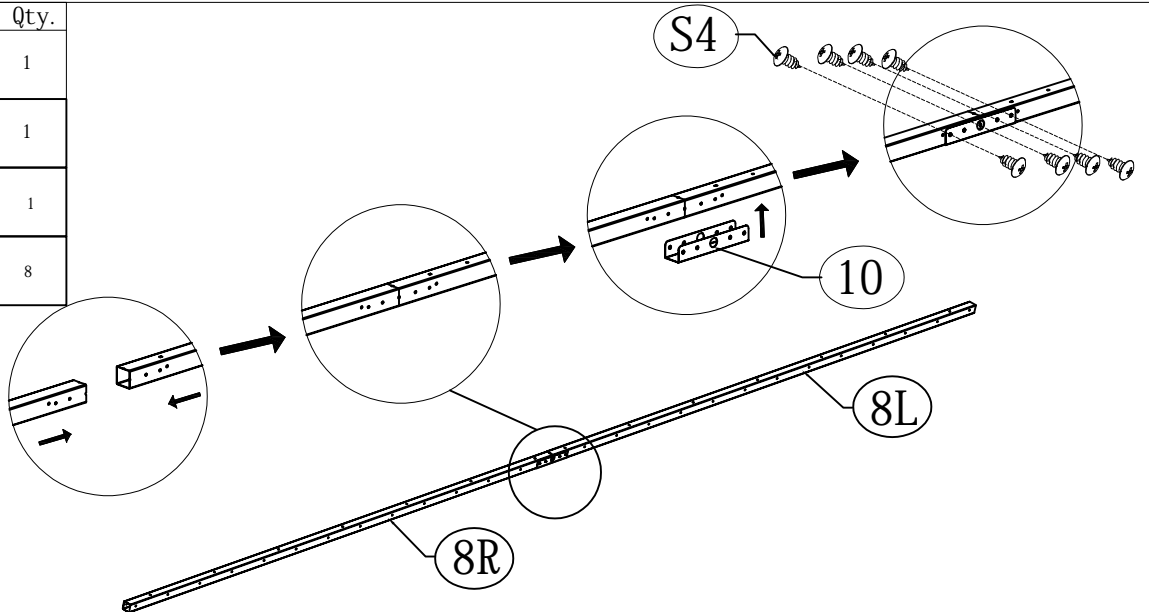
NO.	PART.	Qty.
6L	 1410.2mm	1
6R	 1410.2mm	1
12	 120mm	1
F3		4
S4		2







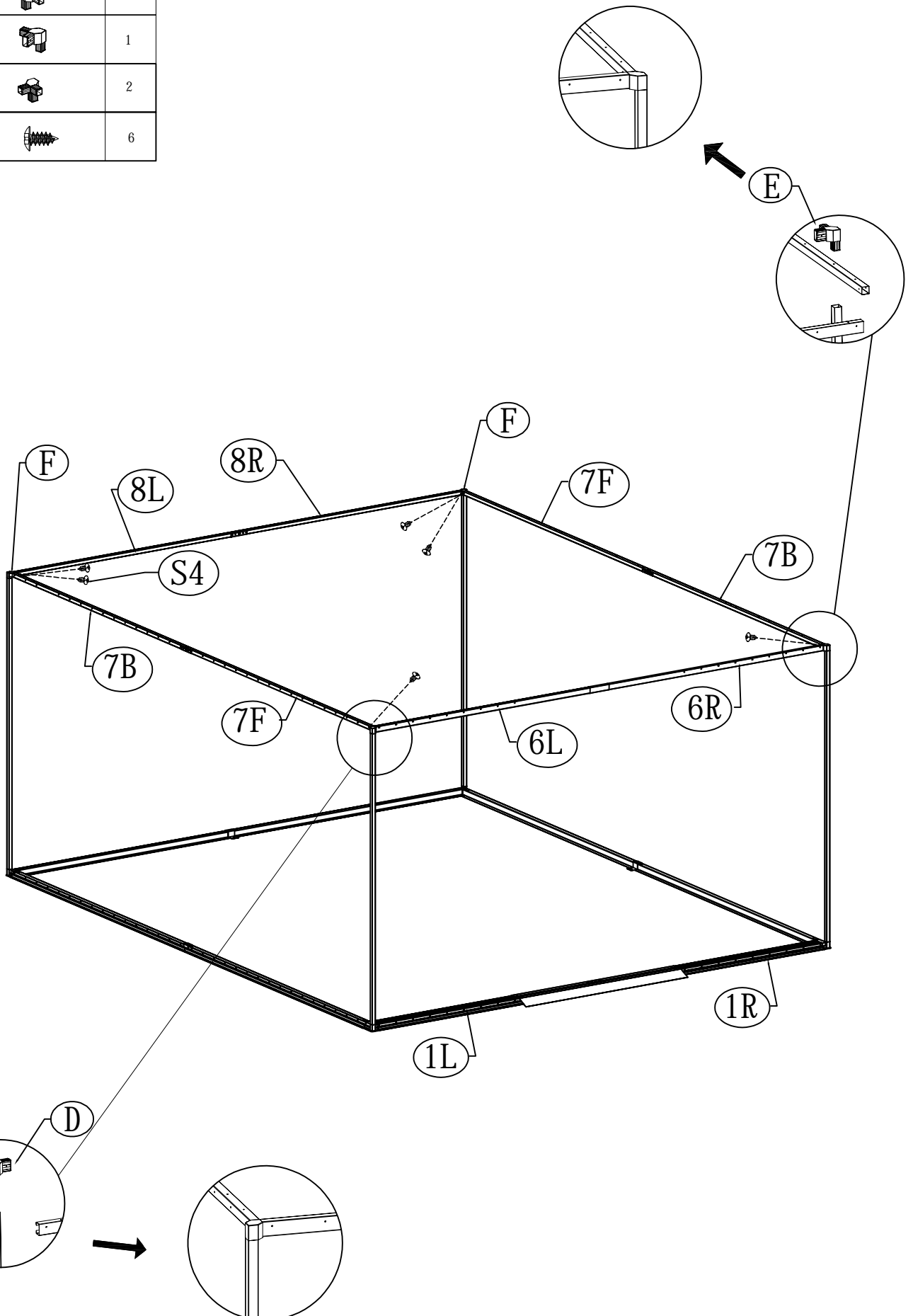
NO.	PART.	Qty.
7F	 1784.7mm	2
7B	 1677.7mm	2
10	 100mm	2
S4		16

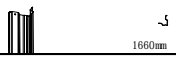




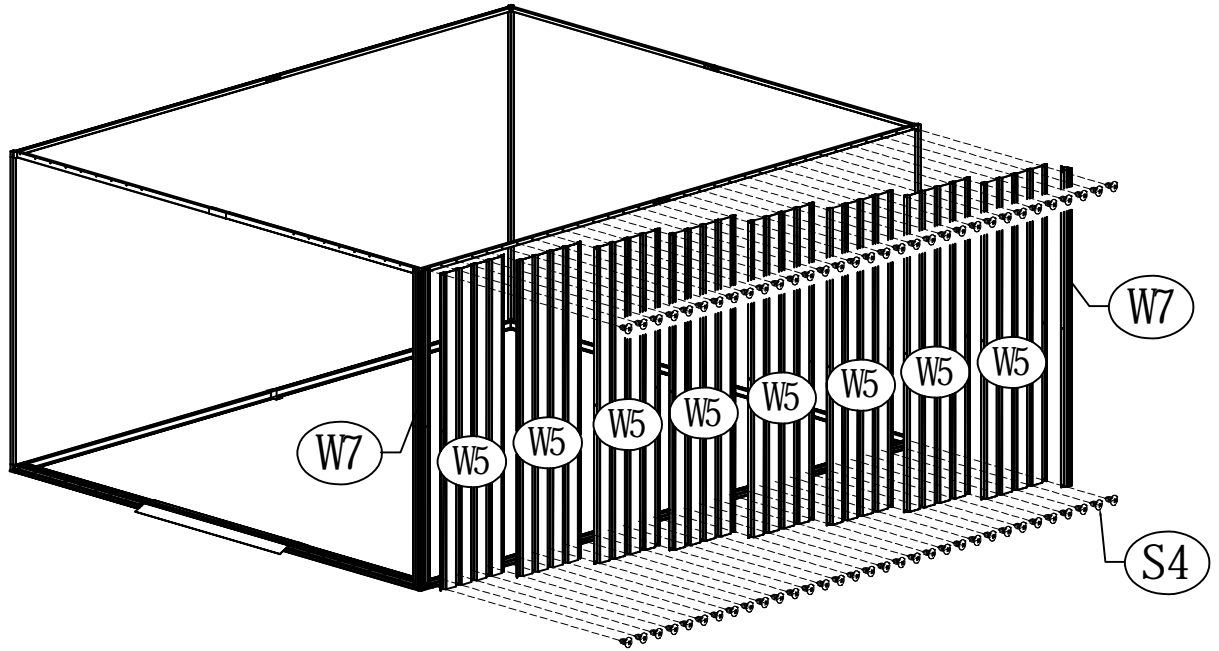
NO.	PART.	Qty.
8L	 1410.2mm	1
8R	 1410.2mm	1
10	 100mm	1
S4		8





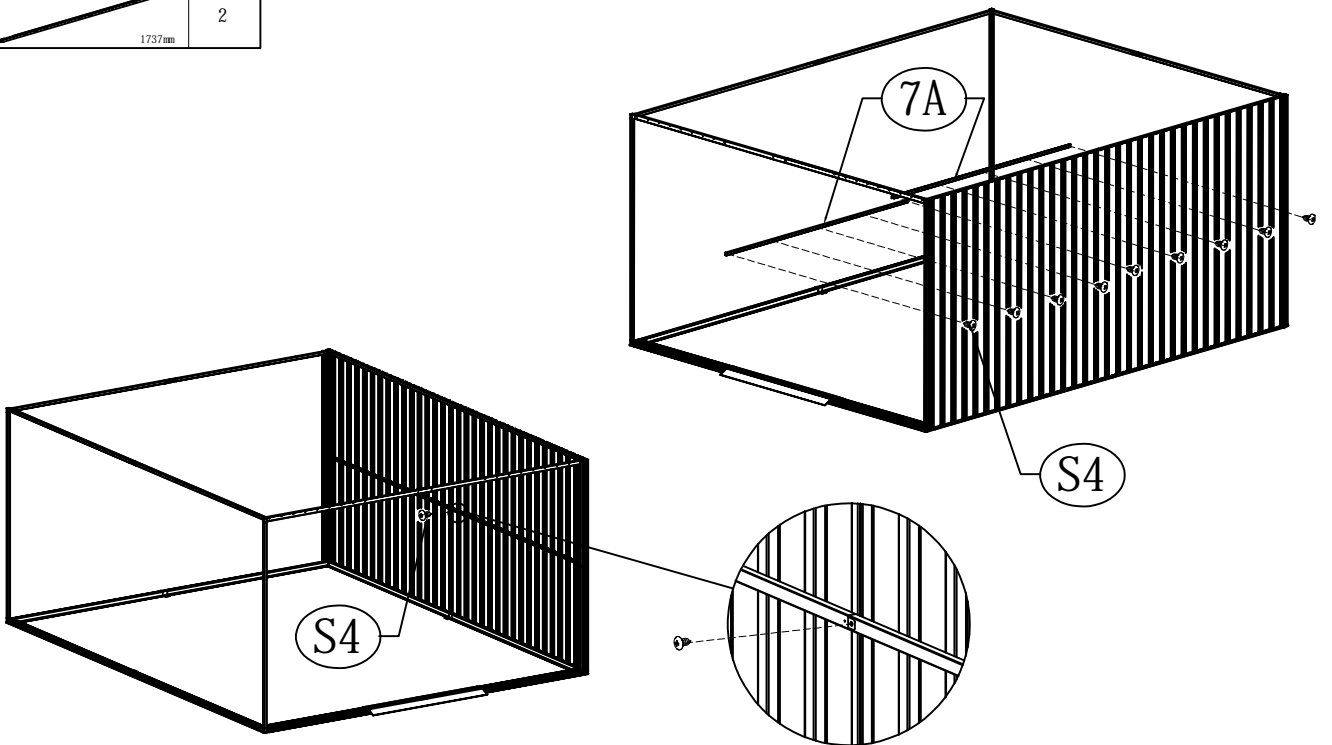
NO.	PART.	Qty.
D		1
E		1
F		2
S4		6

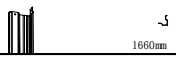





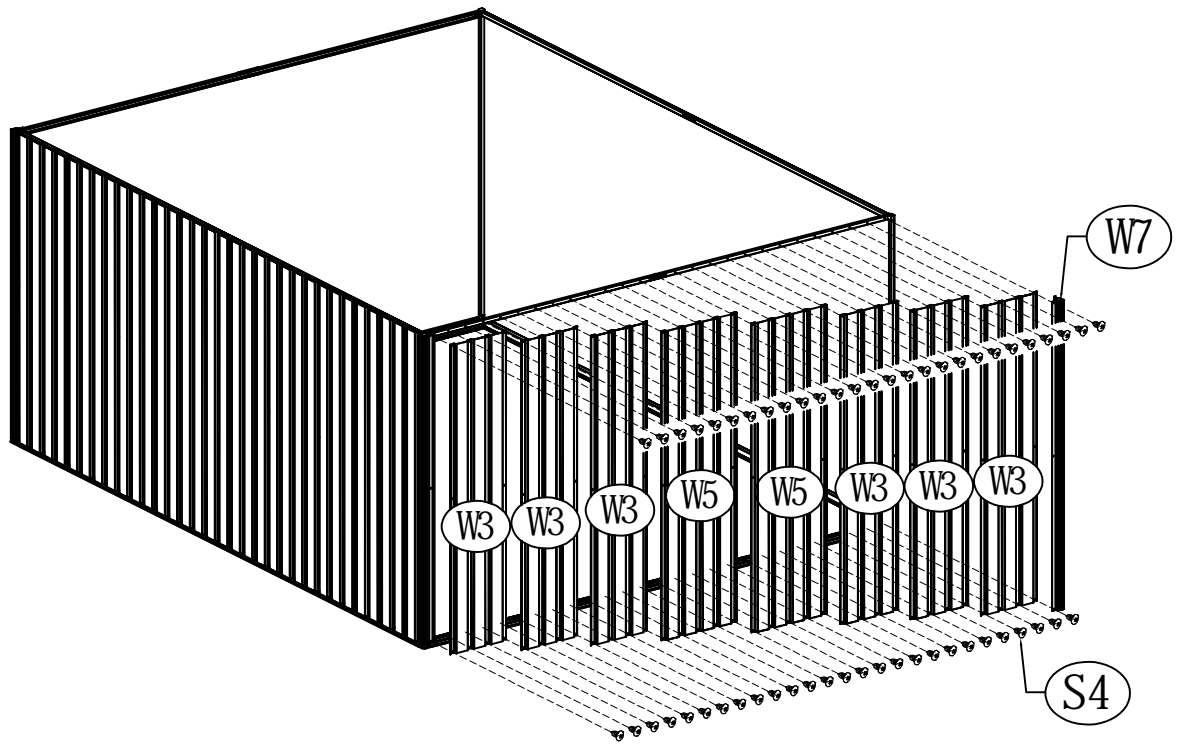
NO.	PART.	Qty.
W7	 1660mm	2
W5	 1660mm	8
S4		66





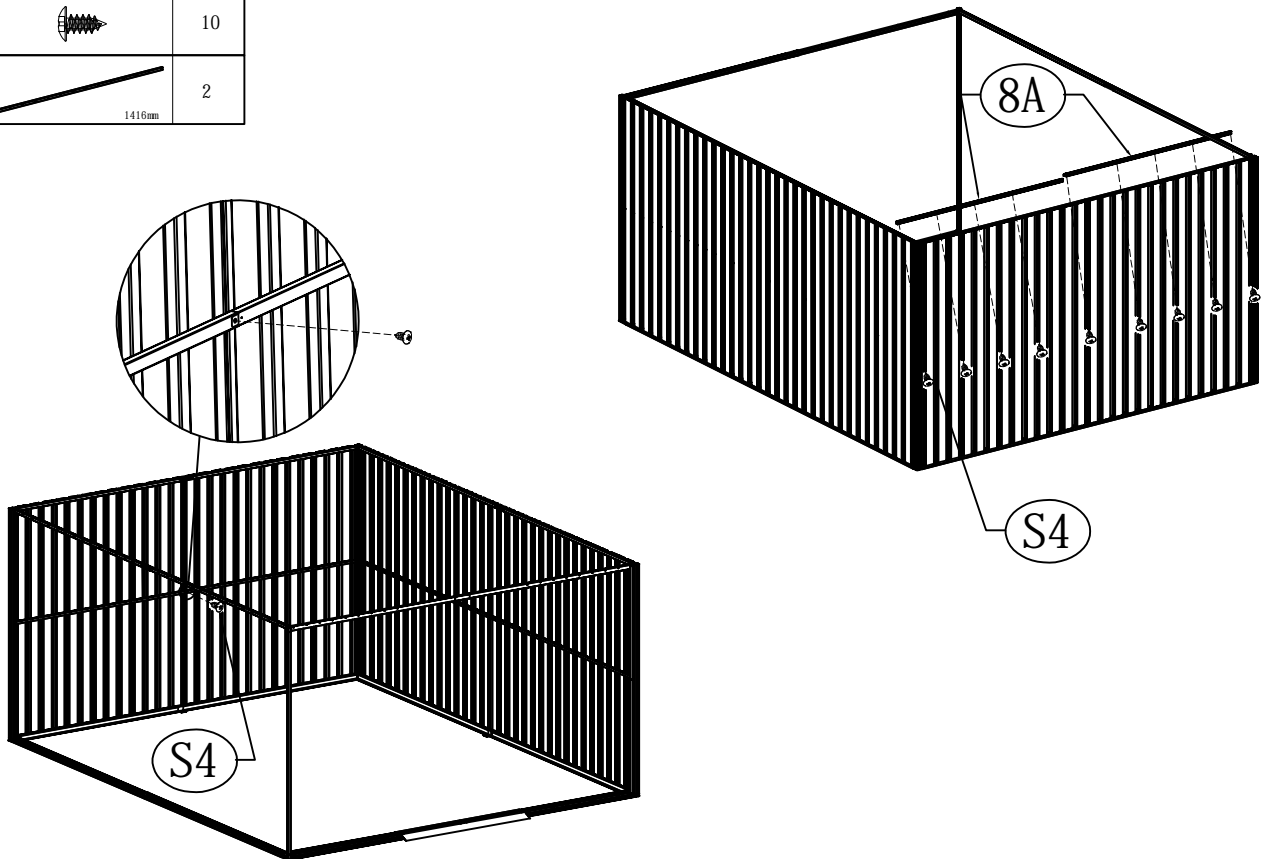
NO.	PART.	Qty.
S4		10
7A	 1737mm	2







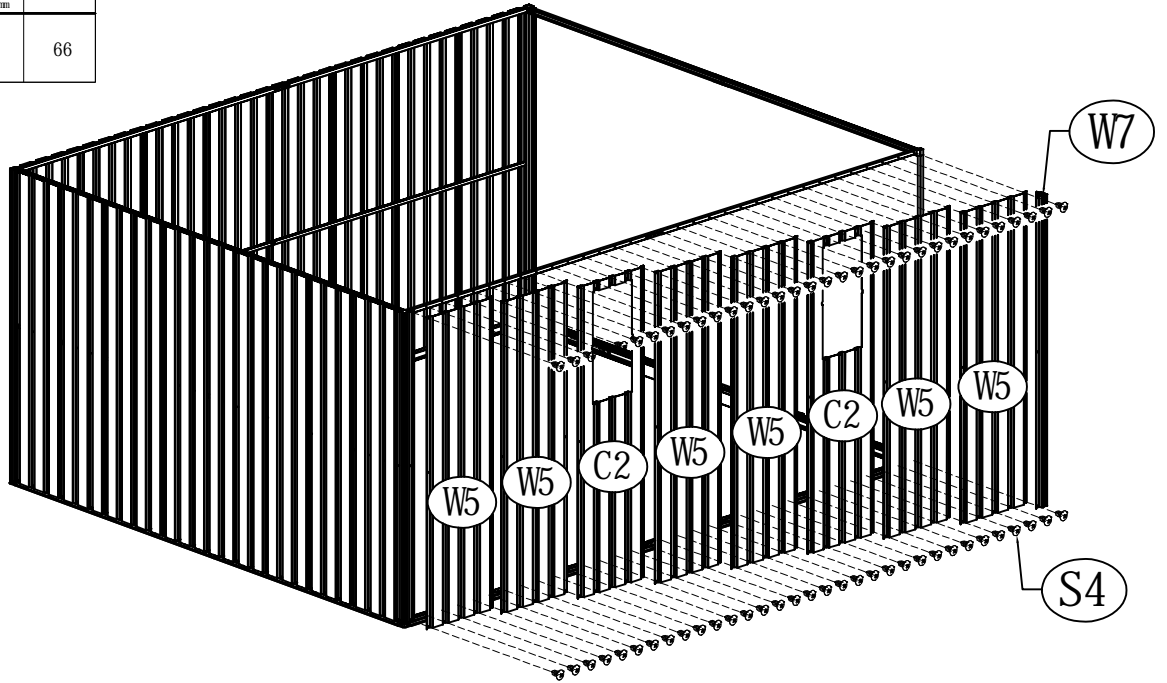
NO.	PART.	Qty.	NO.	PART.	Qty.
W7	 1660mm	1	W5	 1660mm	2
W3	 1660mm	6	S4		54





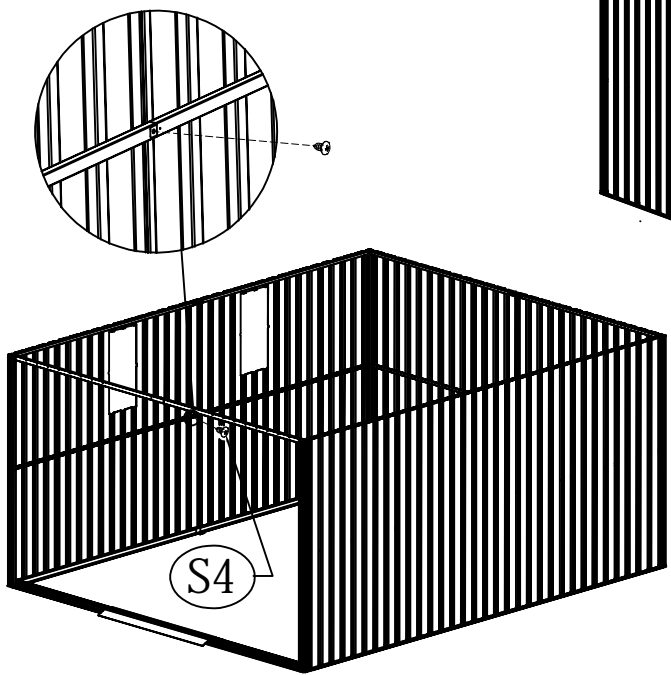
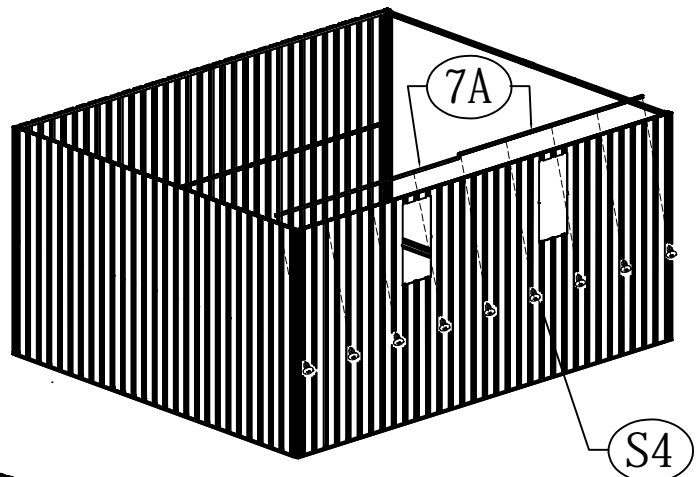
NO.	PART.	Qty.
S4		10
8A	 1416mm	2

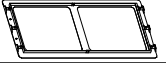
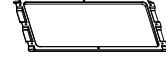
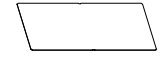



NO.	PART.	Qty.
W7	 1660mm	1
W5	 1660mm	6
C2	 1660mm	2
S4		66

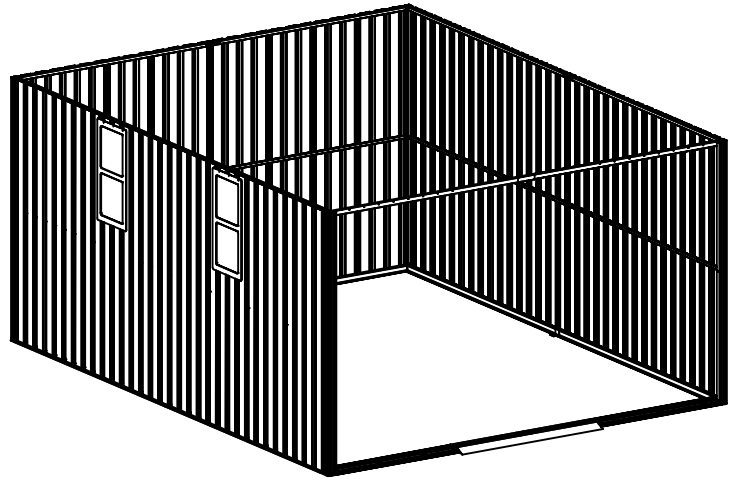
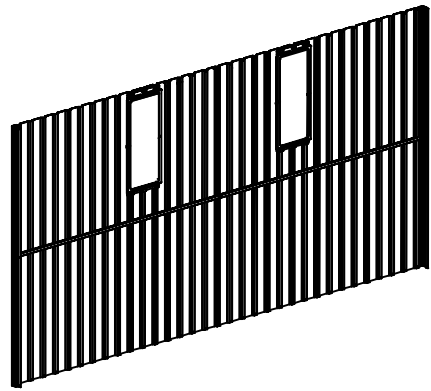
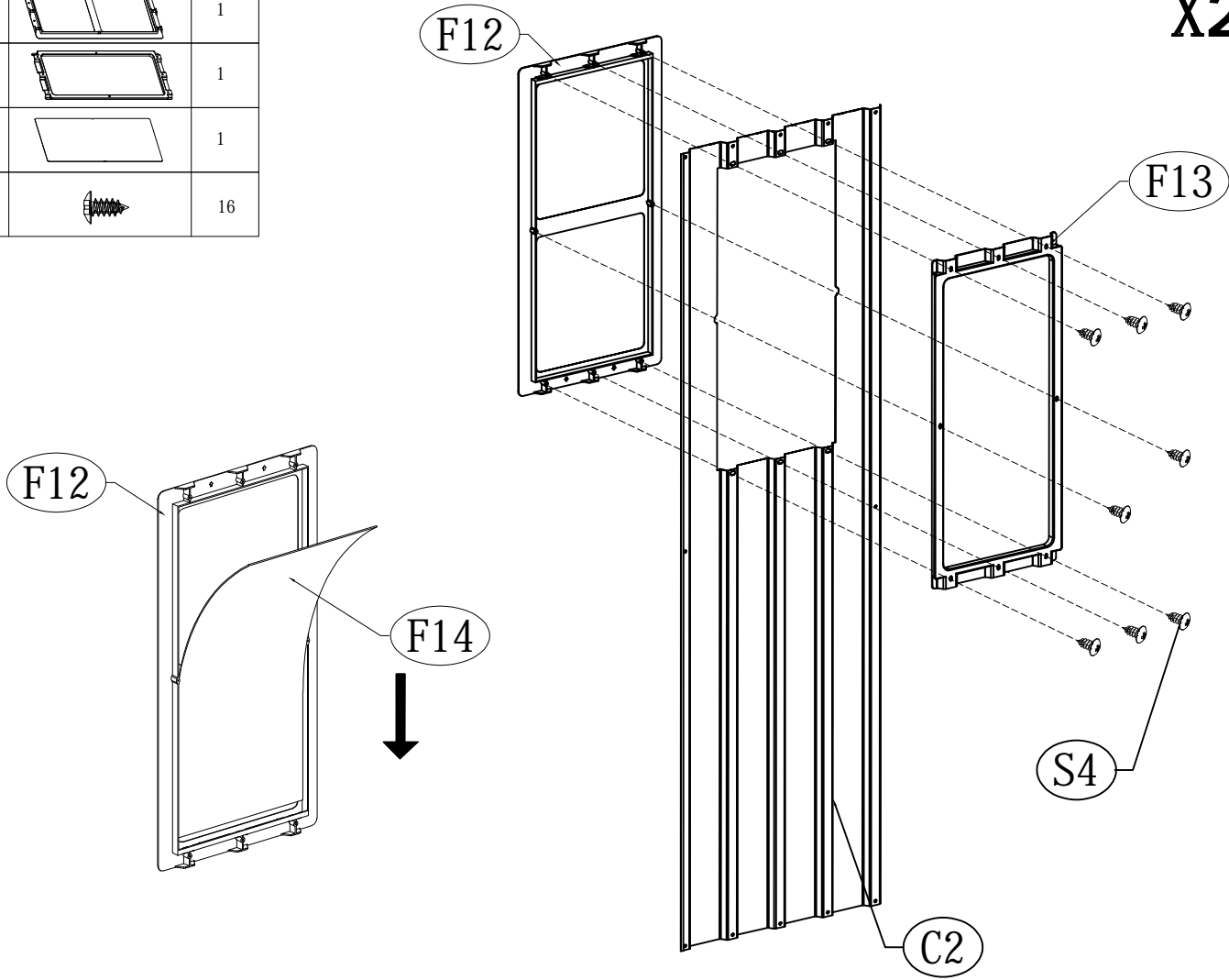




NO.	PART.	Qty.
S4		10
7A	 1737mm	2

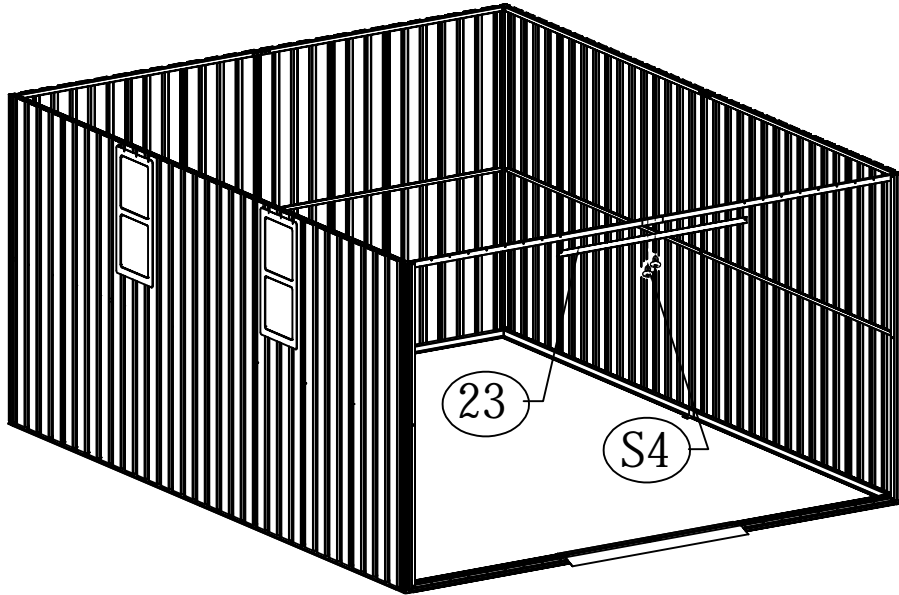









NO.	PART.	Qty.
F12		1
F13		1
F14		1
S4		16

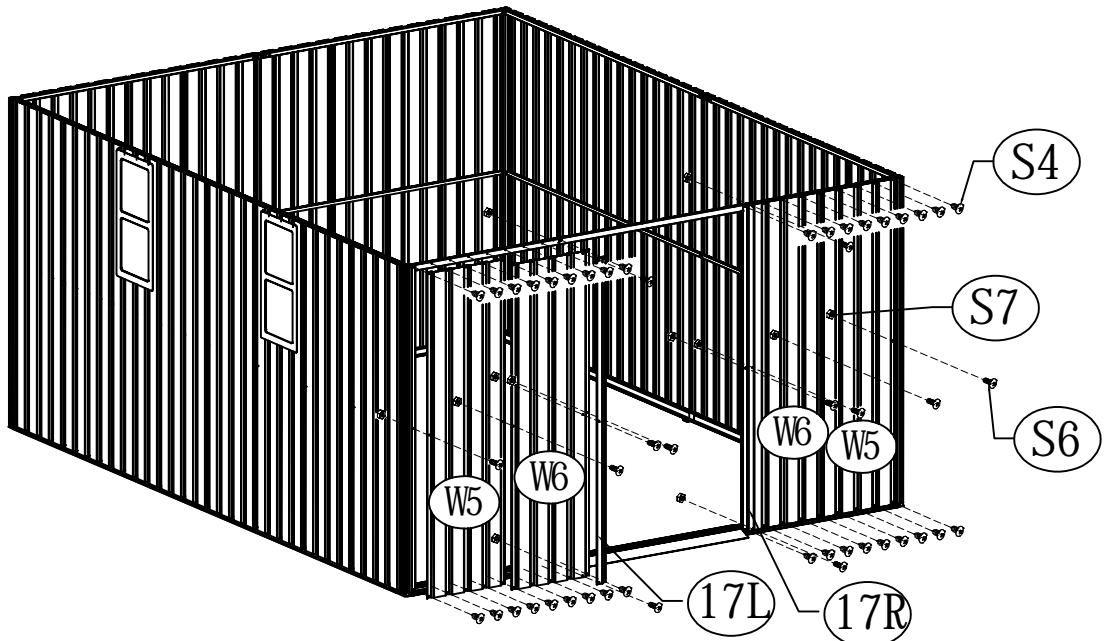
X2




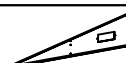

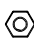



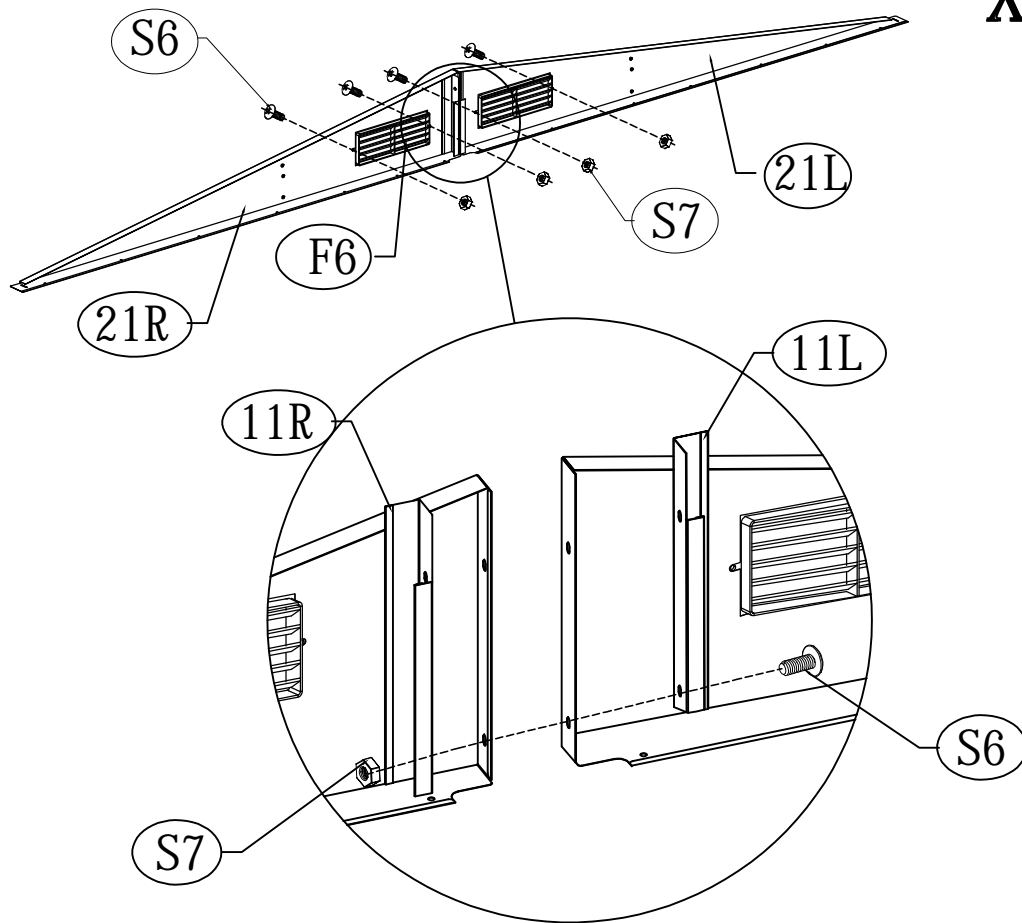
NO.	PART.	Qty.
23	 1090mm	1
S4		2




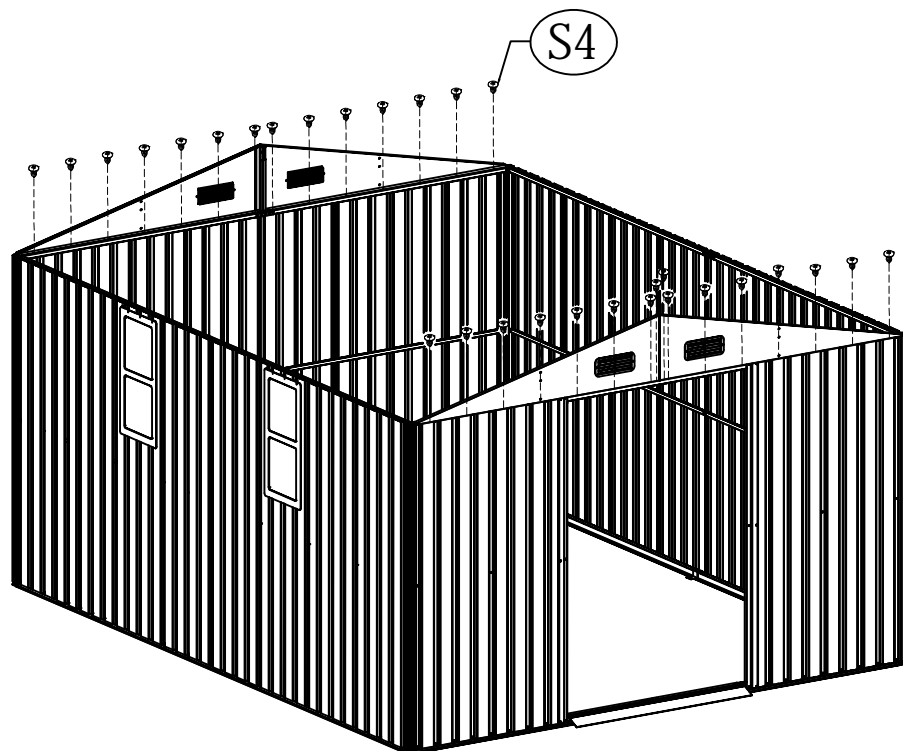
NO.	PART.	Qty.	NO.	PART.	Qty.	NO.	PART.	Qty.	NO.	PART.	Qty.
17L	 1660mm	1	W5	 1660mm	2	S4		36	S7		12
17R	 1660mm	1	W6	 1660mm	2	S6		12			








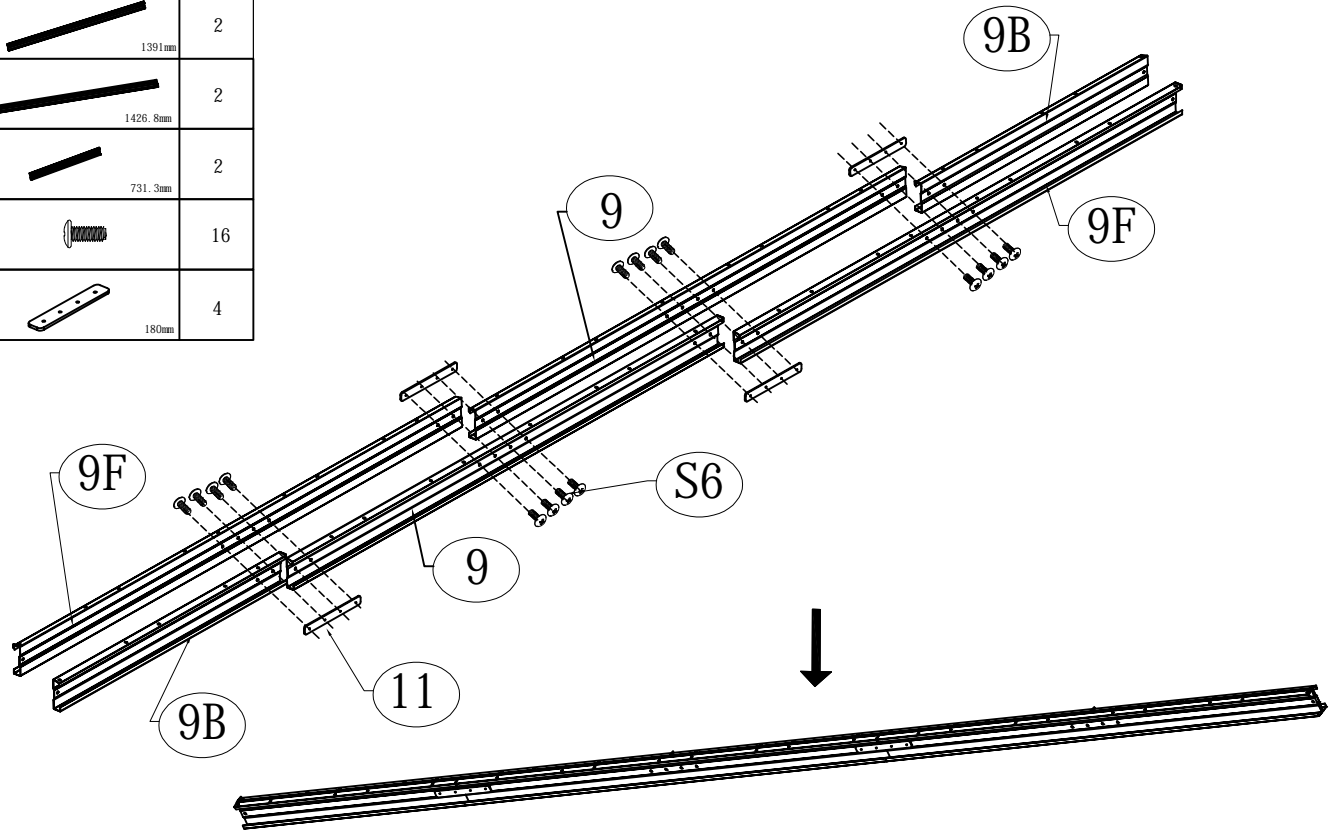
NO.	PART.	Qty.
11L	 320mm	2
11R	 320mm	2
21L		2
21R		2
S6		10
S7		10
F6		4


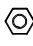


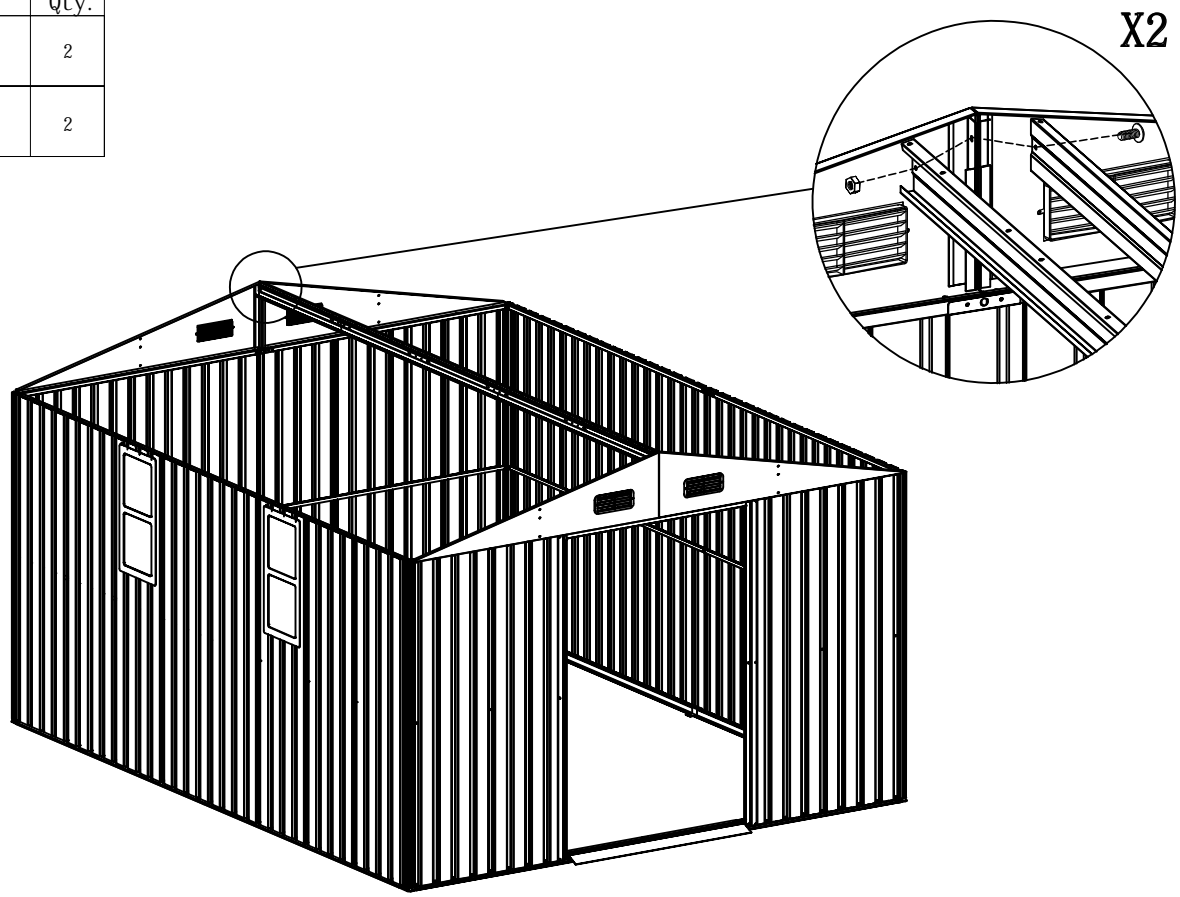
NO.	PART.	Qty.
S4		30






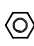


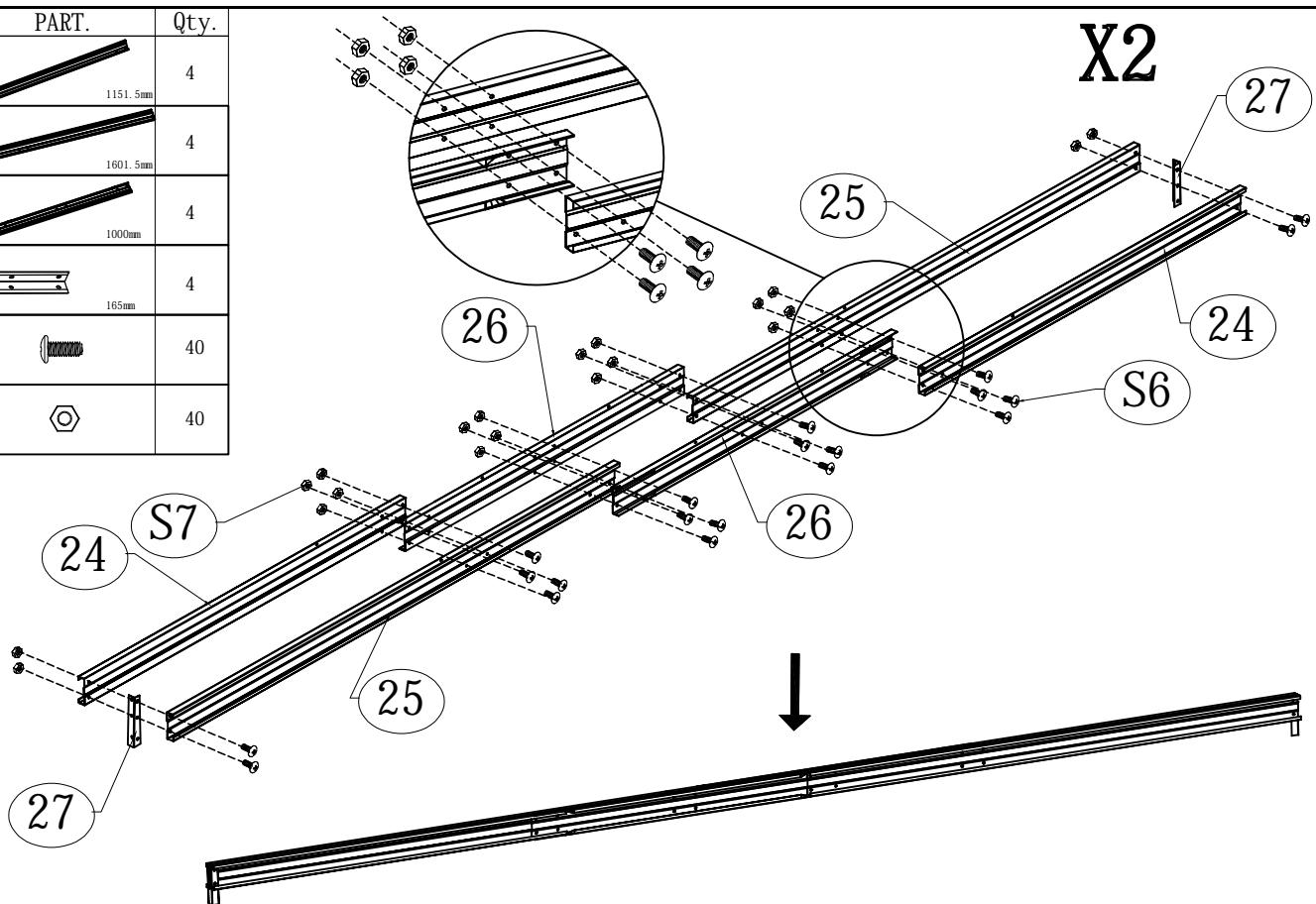
NO.	PART.	Qty.
9	 1391mm	2
9F	 1426.8mm	2
9B	 731.3mm	2
S6		16
11	 180mm	4





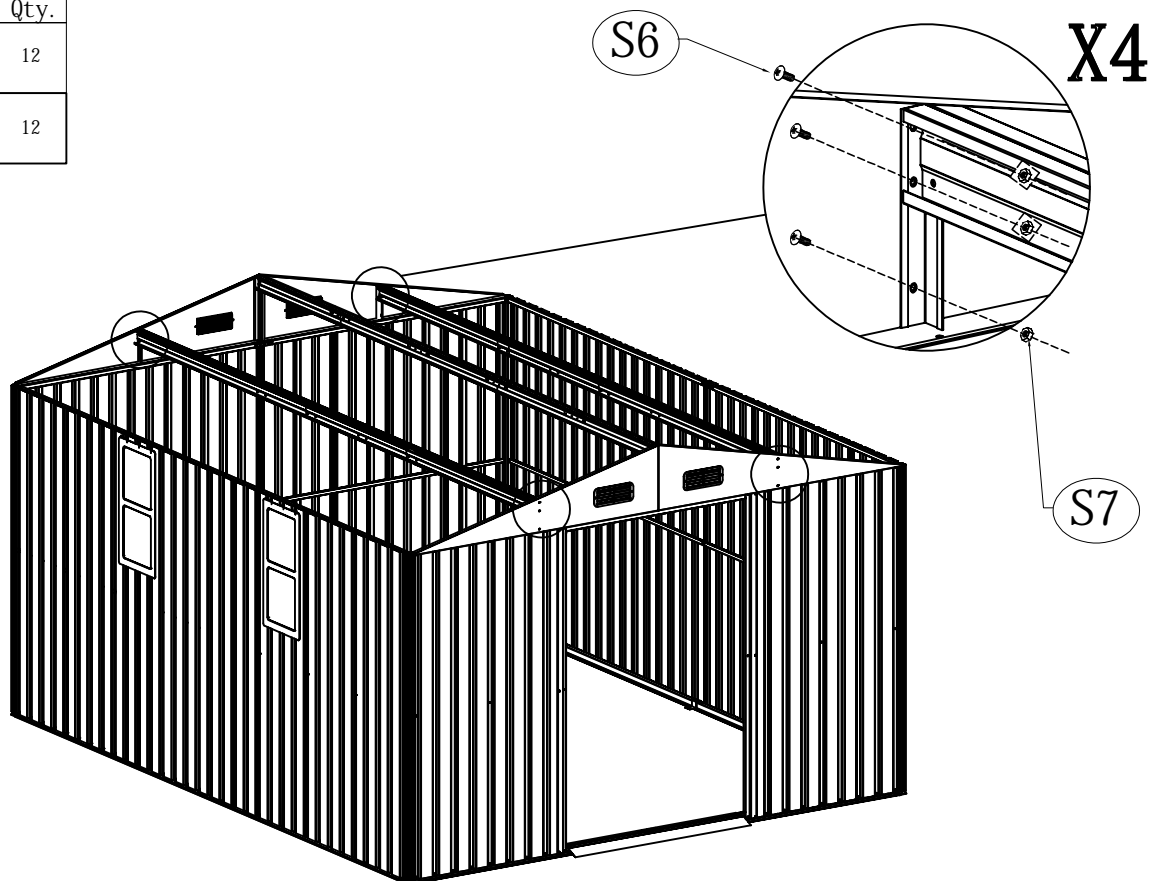
NO.	PART.	Qty.
S6		2
S7		2





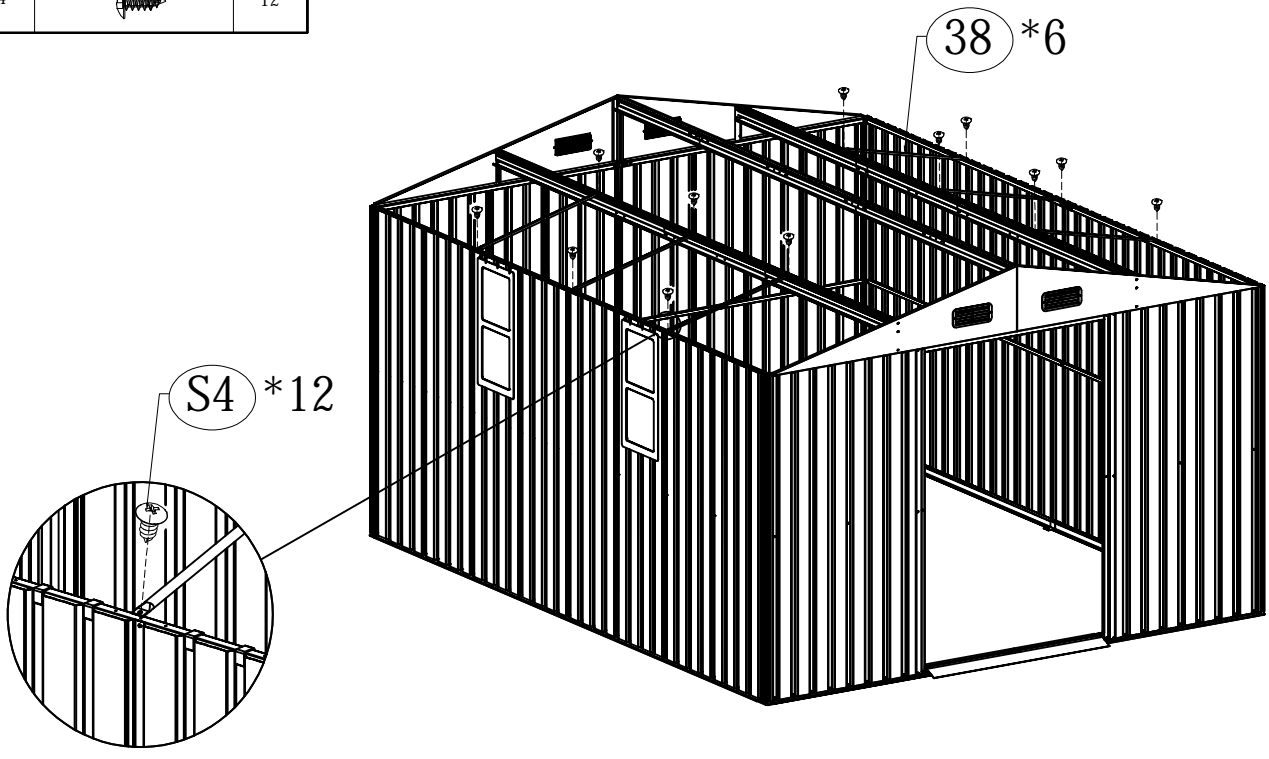
NO.	PART.	Qty.
24	 1151.5mm	4
25	 1601.5mm	4
26	 1000mm	4
27	 165mm	4
S6		40
S7		40






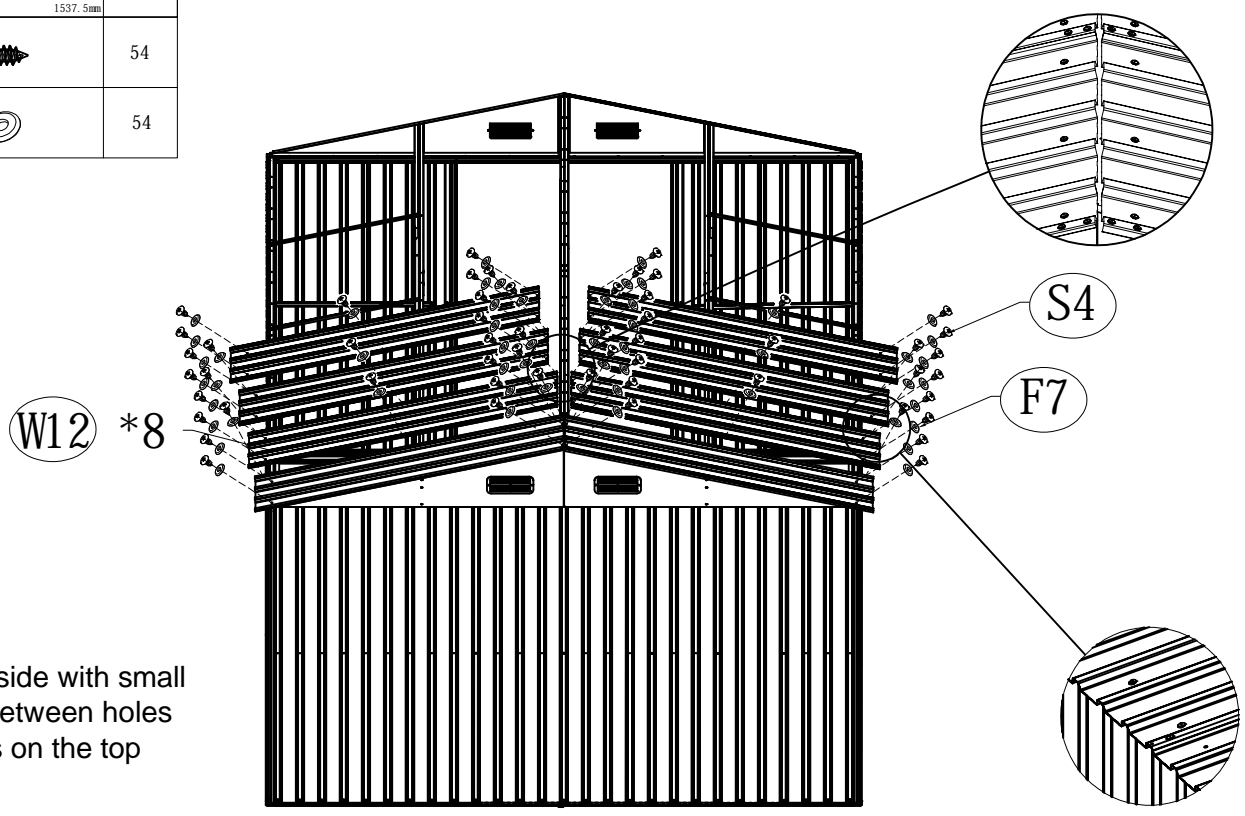
NO.	PART.	Qty.
S6		12
S7		12








NO.	PART.	Qty.
38	 745.7mm	6
S4		12

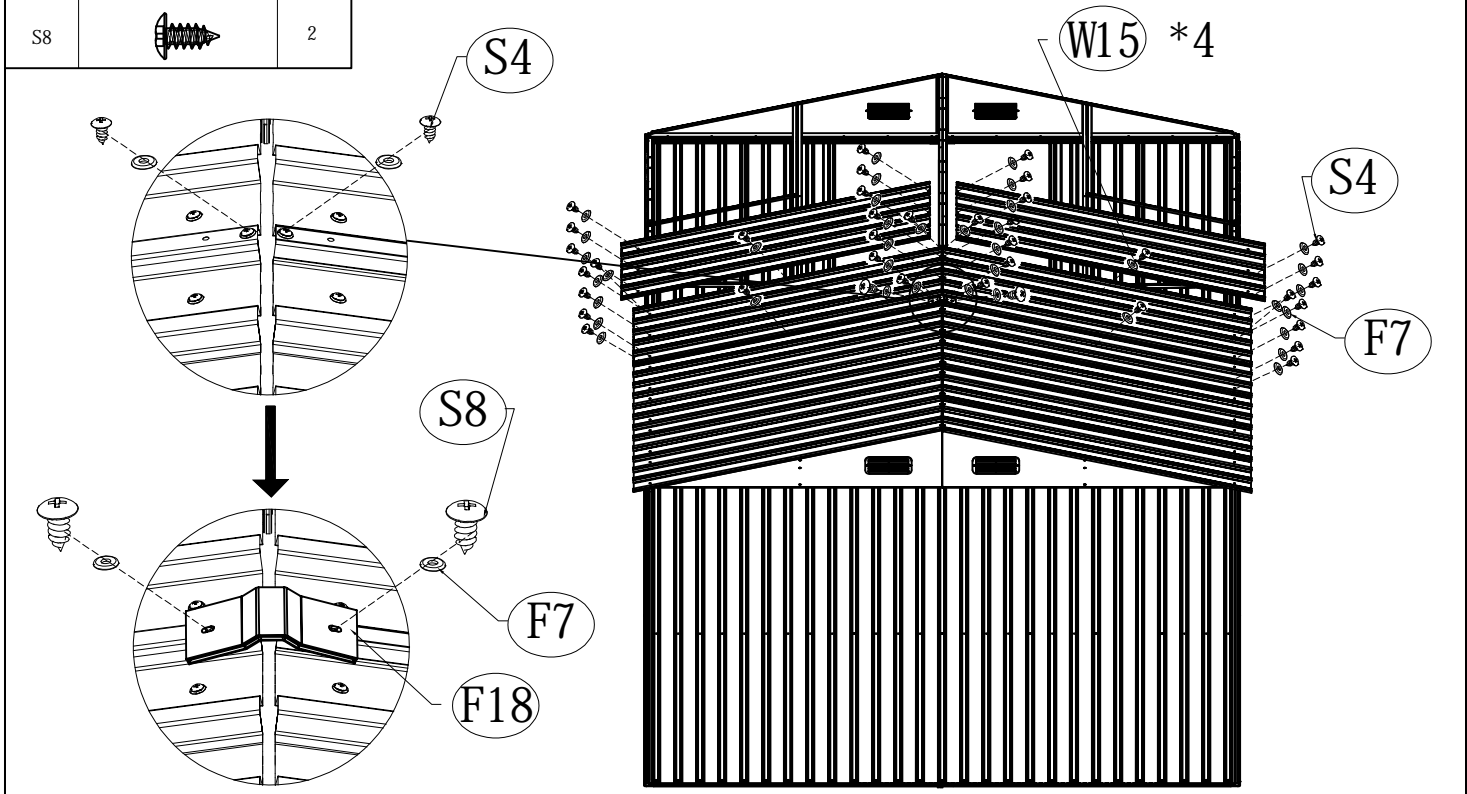








NO.	PART.	Qty.
W12	 1537.5mm	8
S4		54
F7		54

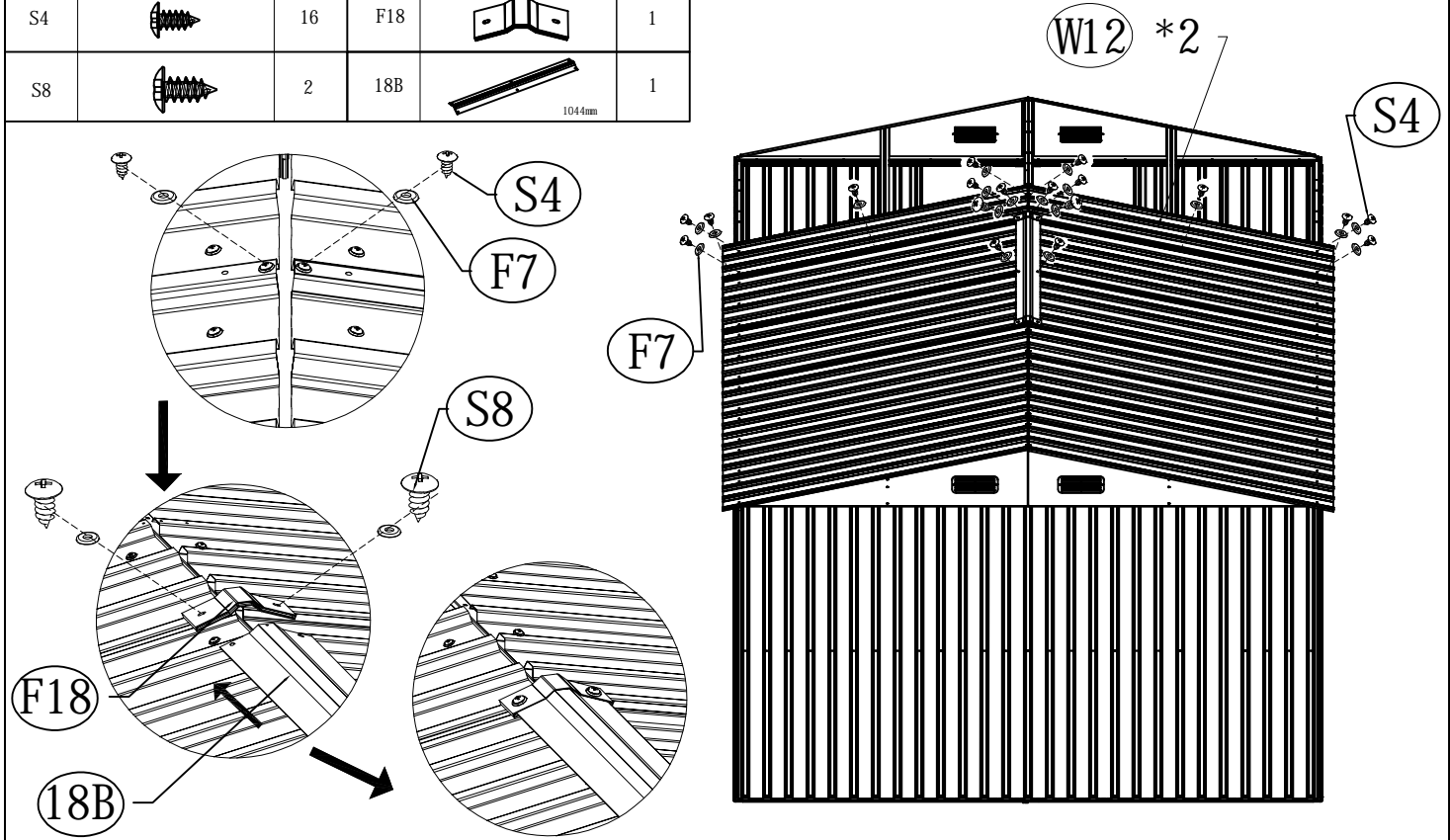





Place the side with small distance between holes and edges on the top

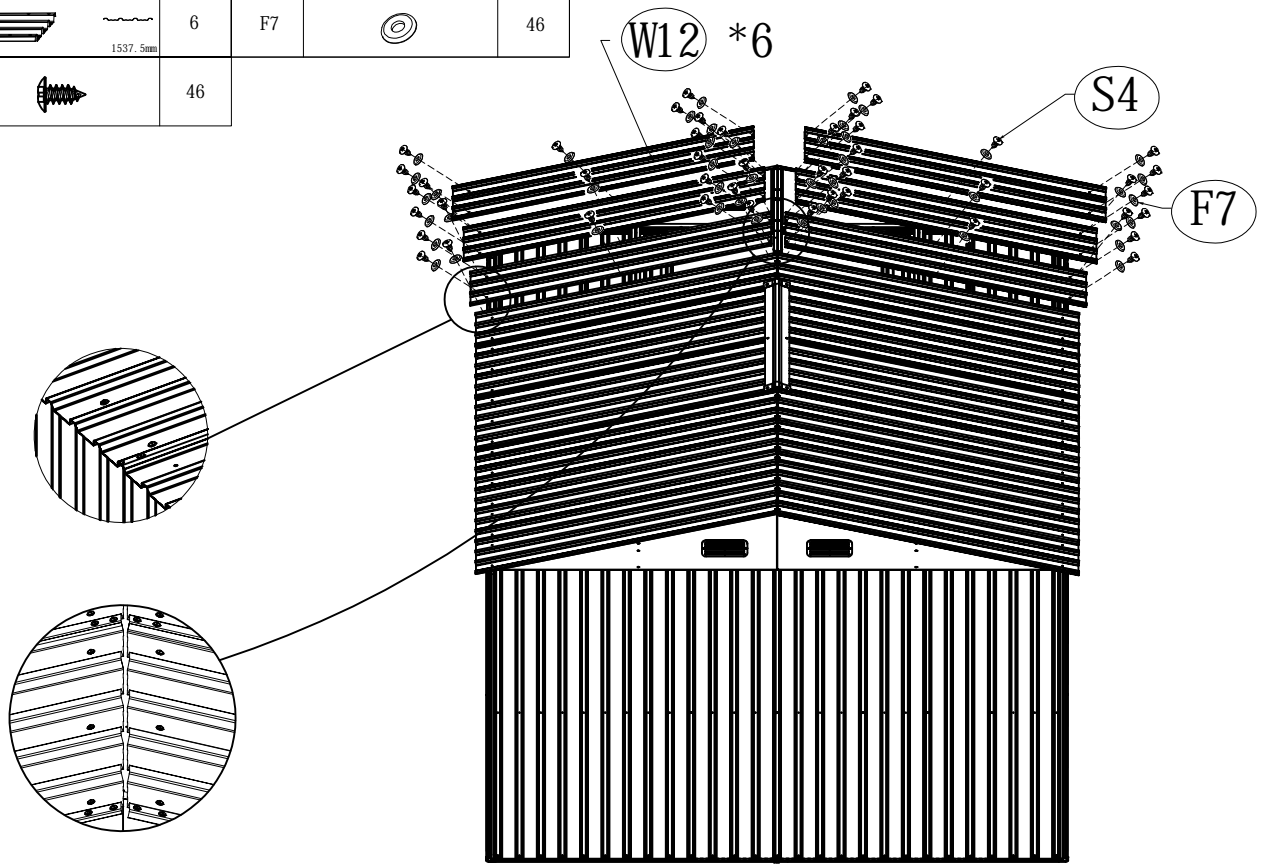
NO.	PART.	Qty.	NO.	PART.	Qty.
W15	 1537.5mm	4	F7		38
S4		36	F18		1
S8		2			












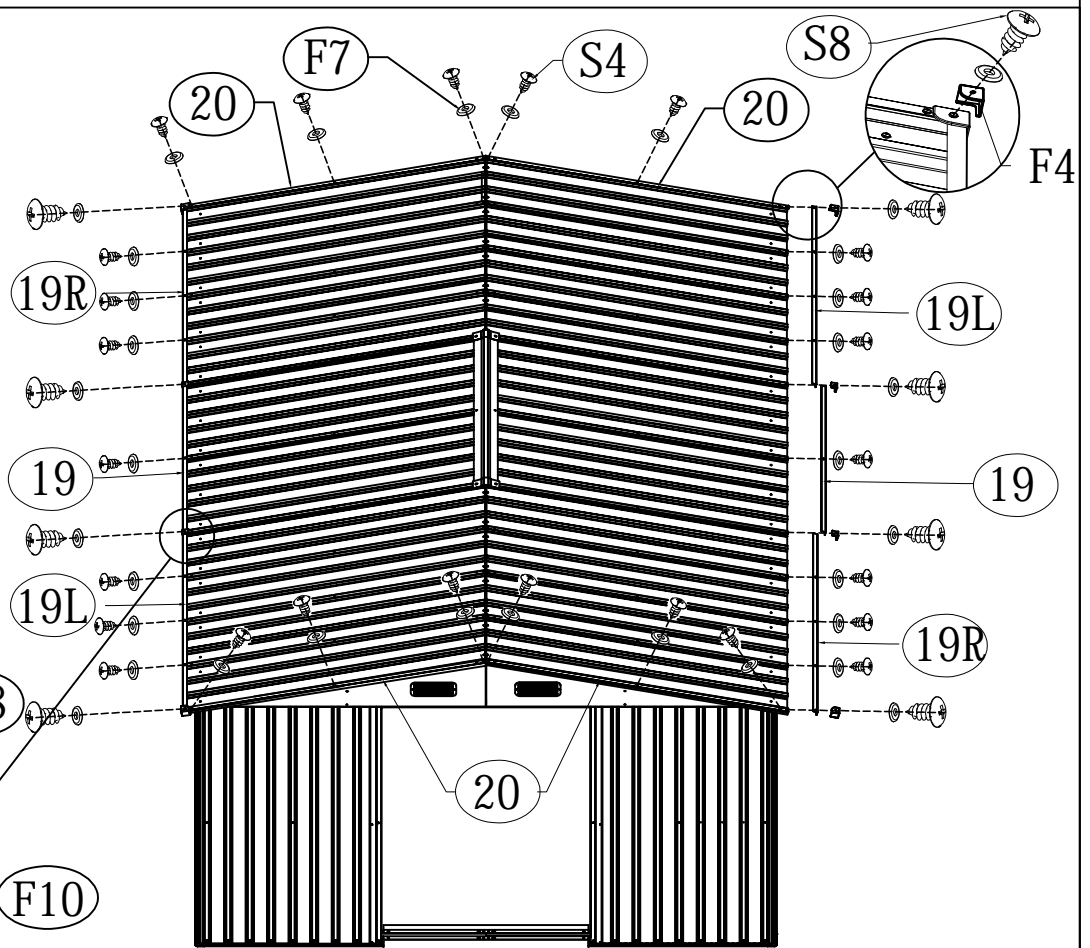
NO.	PART.	Qty.	NO.	PART.	Qty.
W12	 1537.5mm	2	F7		18
S4		16	F18		1
S8		2	18B	 1044mm	1




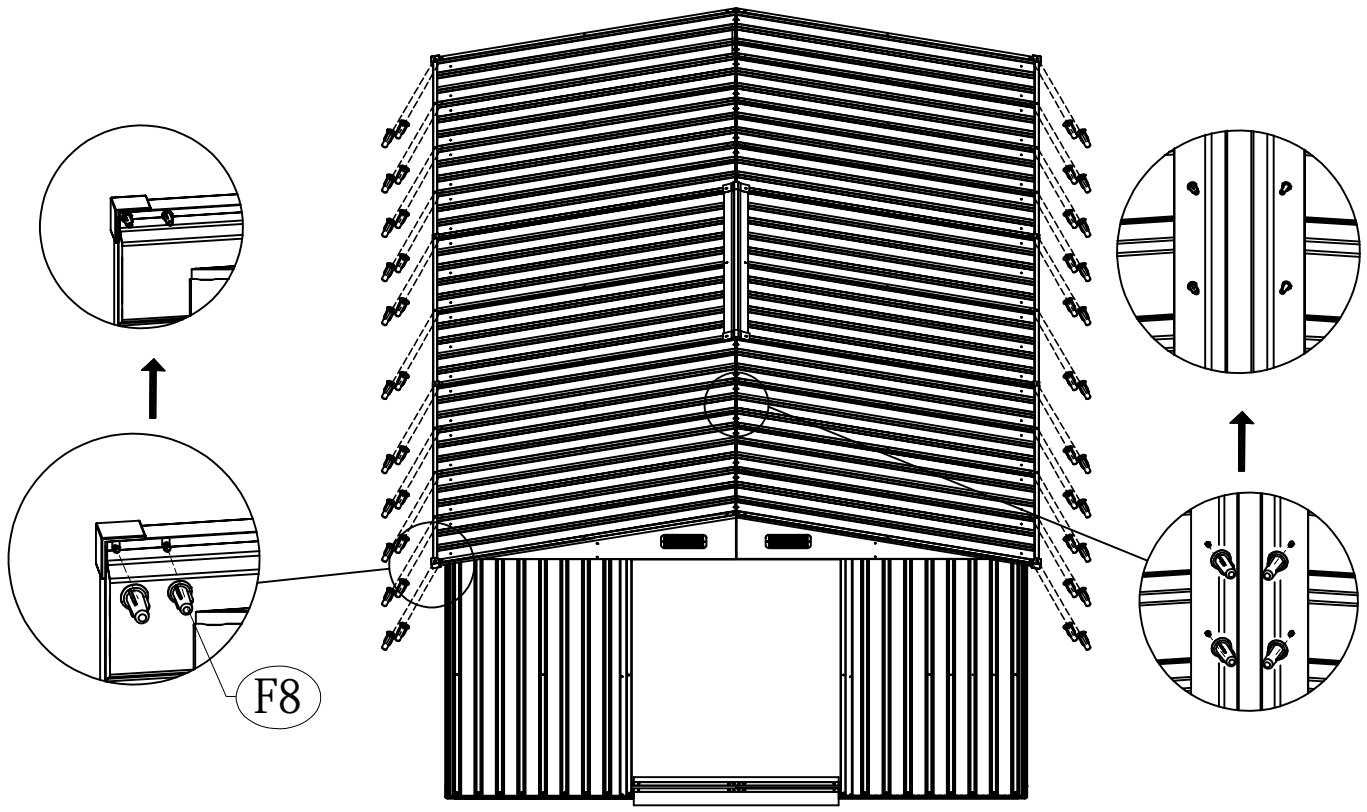
NO.	PART.	Qty.	NO.	PART.	Qty.
W12		6	F7		46
S4		46			







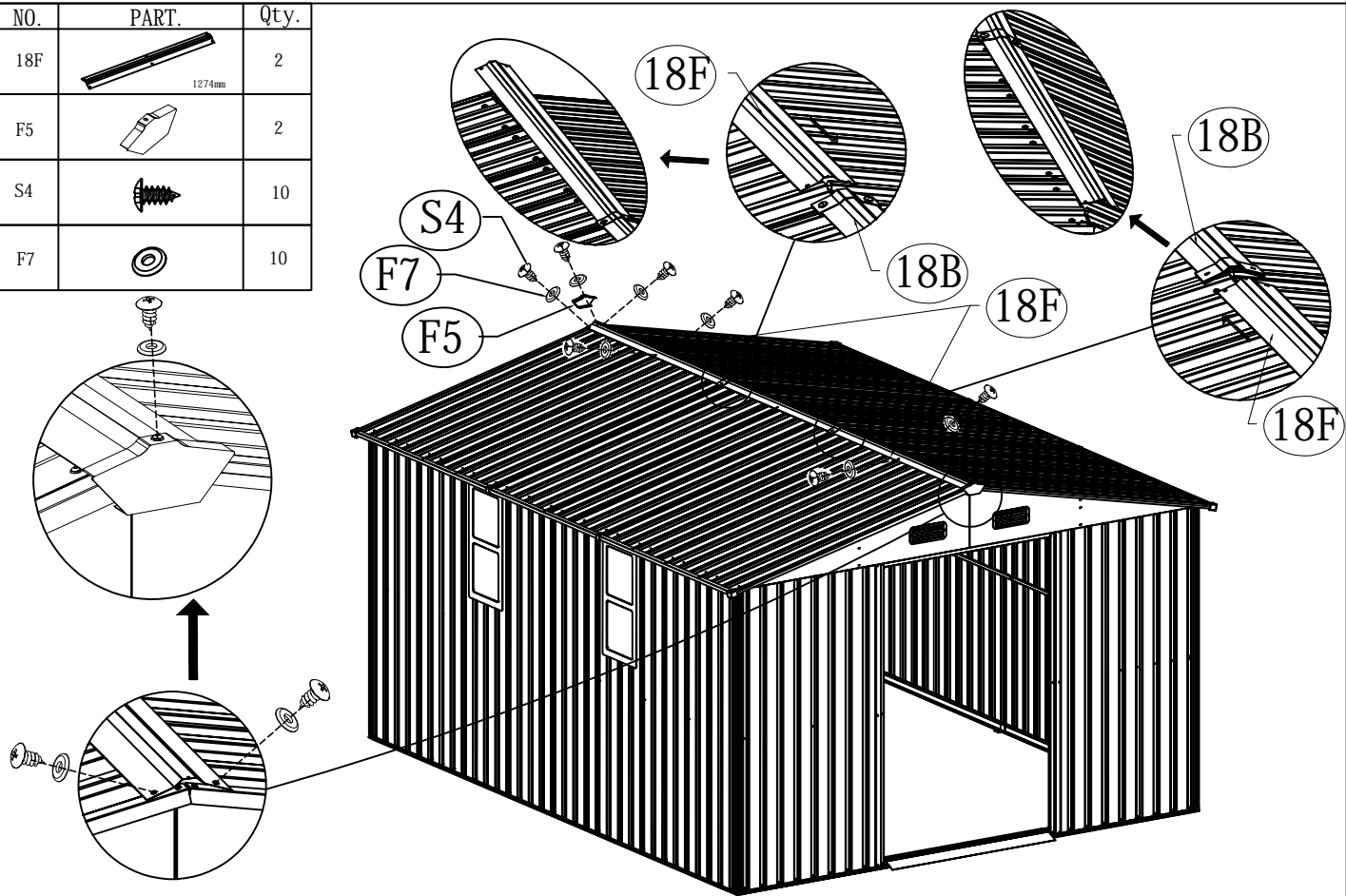
NO.	PART.	Qty.
19L		2
19		2
19R		2
20		4
S4		26
S8		8
F4		4
F7		34
F10		4

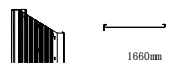
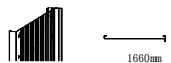







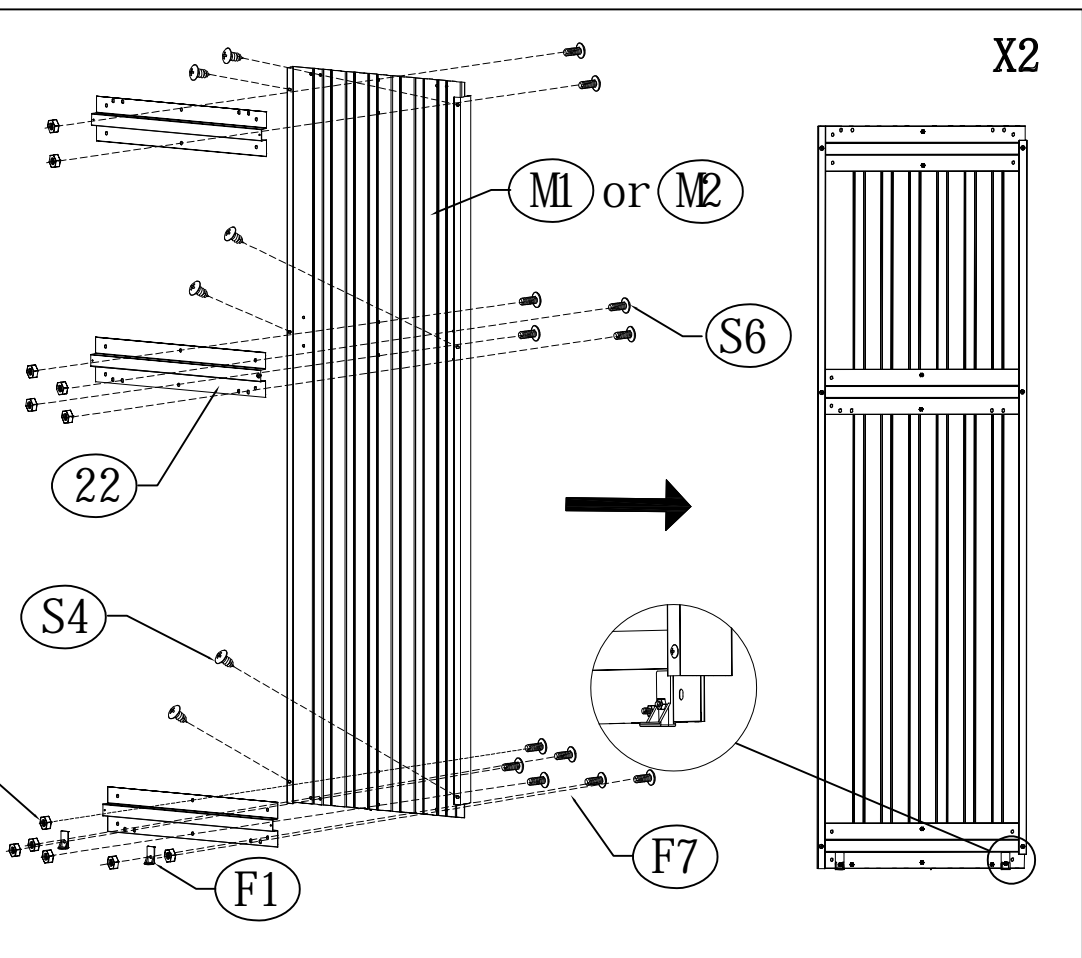
NO.	PART.	Qty.
F8		110

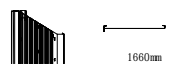
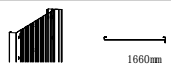





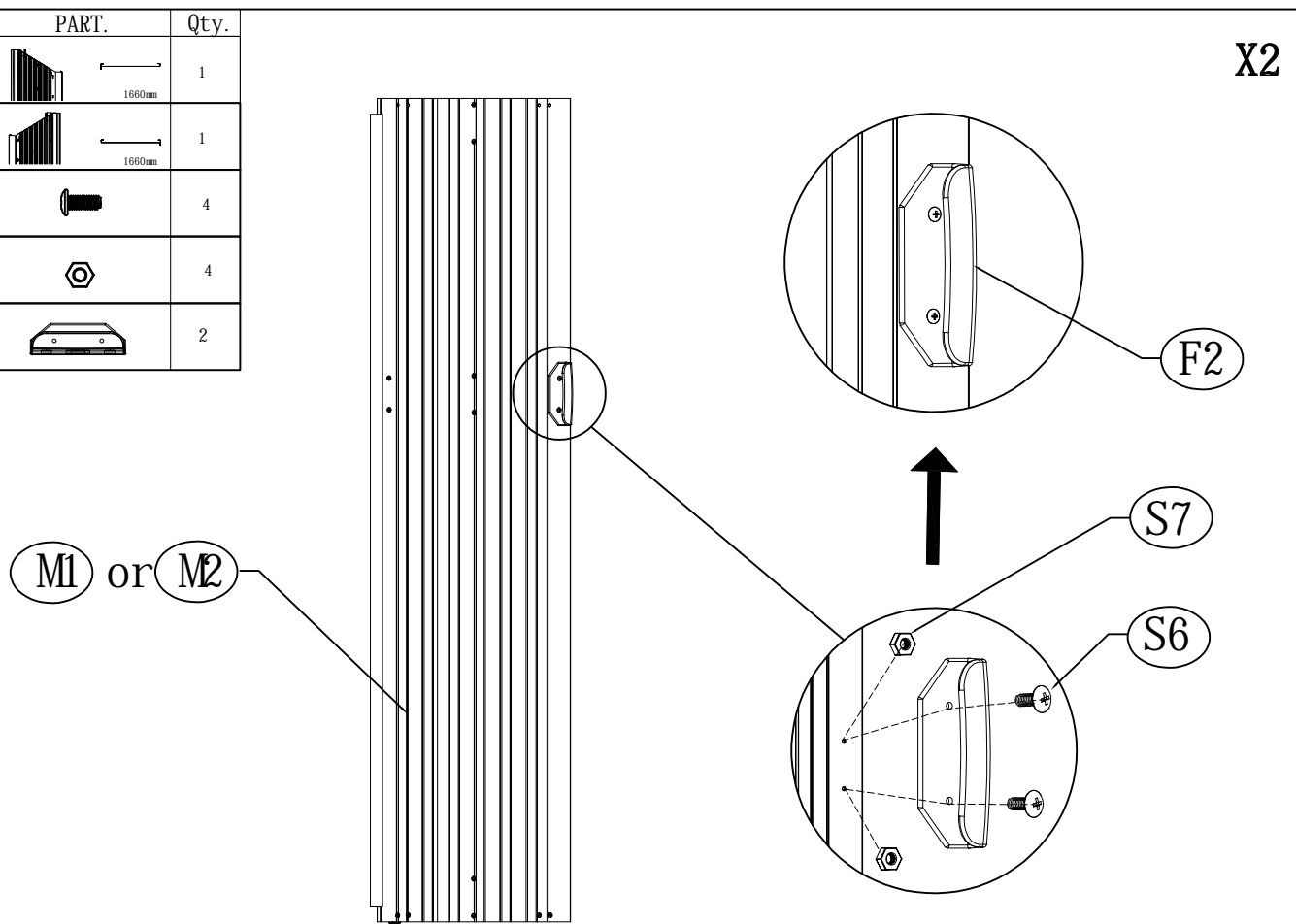
NO.	PART.	Qty.
18F	 1274mm	2
F5		2
S4		10
F7		10




NO.	PART.	Qty.
M1	 1660mm	1
M2	 1660mm	1
22	 532mm	6
F1		4
S4		12
S6		24
S7		24

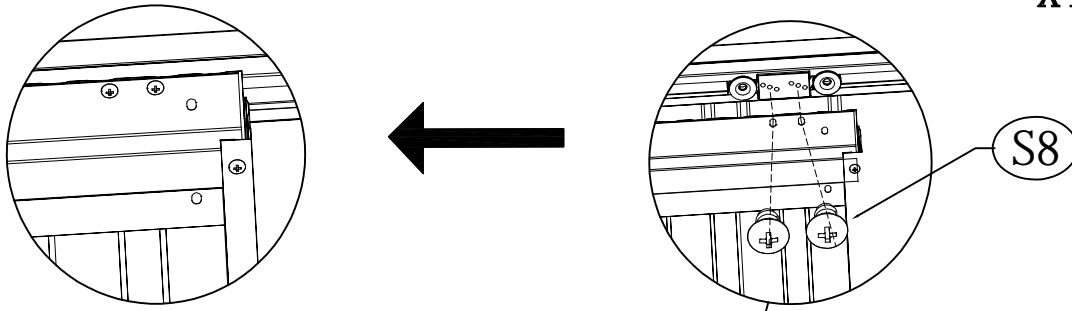


NO.	PART.	Qty.
M1	 1660mm	1
M2	 1660mm	1
S6		4
S7		4
F2		2

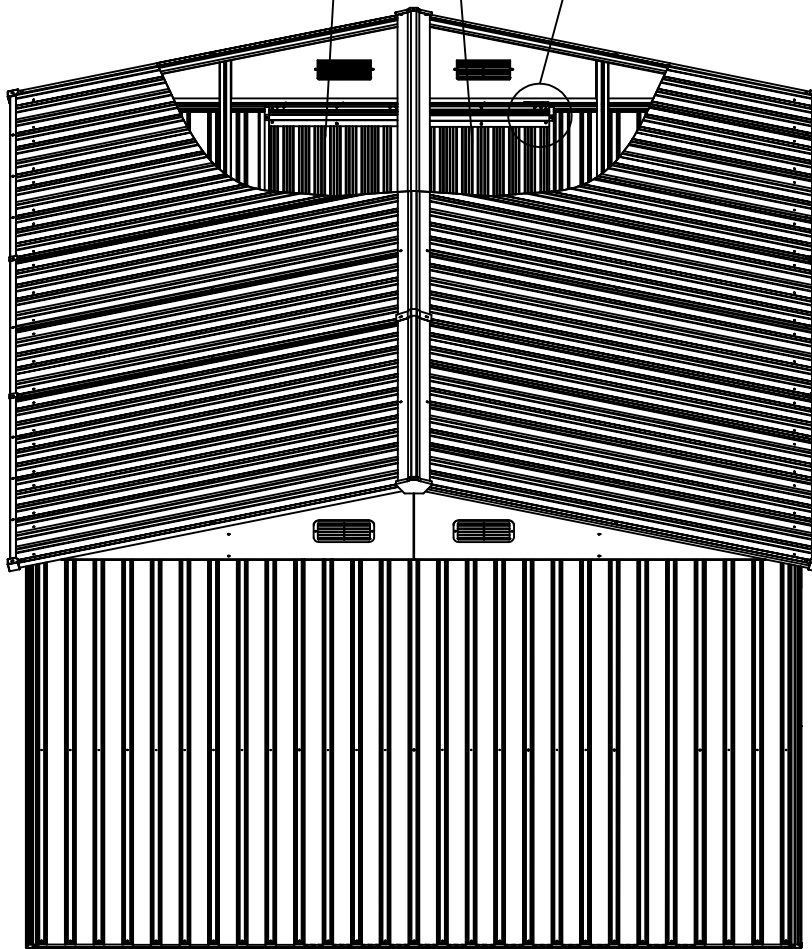



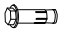
NO.	PART.	Qty.
S8		8

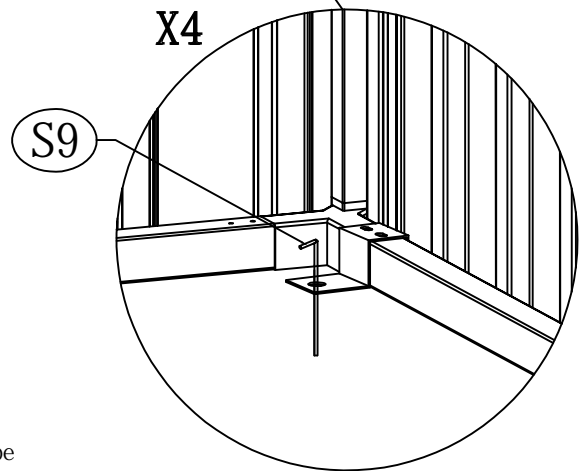
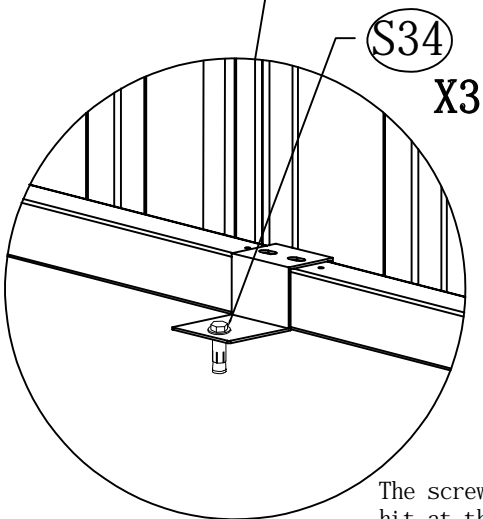
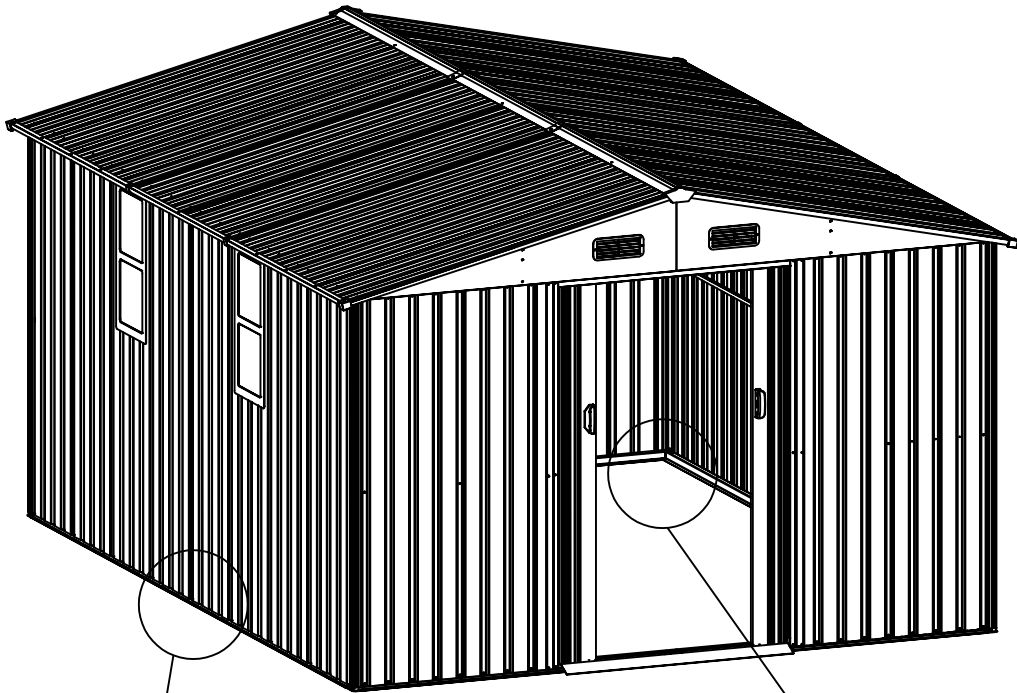
X4



M2 M1



NO.	PART.	Qty.
S9		4
S34	 M6X50mm	3



The screws of the M6X50 must be hit at the joint of the floor beam to make it stronger