



- All components must be installed and maintained by qualified personnel in accordance with applicable electrical codes.
- Always wear appropriate PPE and use insulated tools.
- Improper installation may cause damage not covered by the warranty.

Use this Quick Start Guide (QSG) in conjunction with the Tigo [EI Inverter](#) QSG. Detailed installation documentation for all Tigo products is available on the [tigoenergy.com Downloads](https://www.tigoenergy.com/Downloads) page.

Order of Installation

Install an EI system in this order:

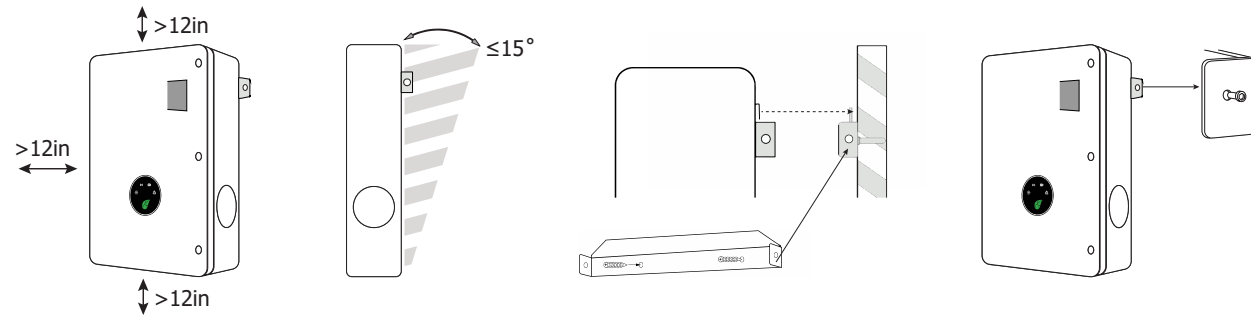
1. Install TS4s and the Tigo Access Point (TAP) anytime before wiring the inverter.
2. Mount the ATS and connect it to the grid. To enable household power pending commissioning, use the ATS manual bypass feature described herein.

3. Mount the inverter and E-Stop rapid shutdown switch.
4. Place the battery.
5. Wire communications and power connections.
You must install communications connections.
6. Commission the system.

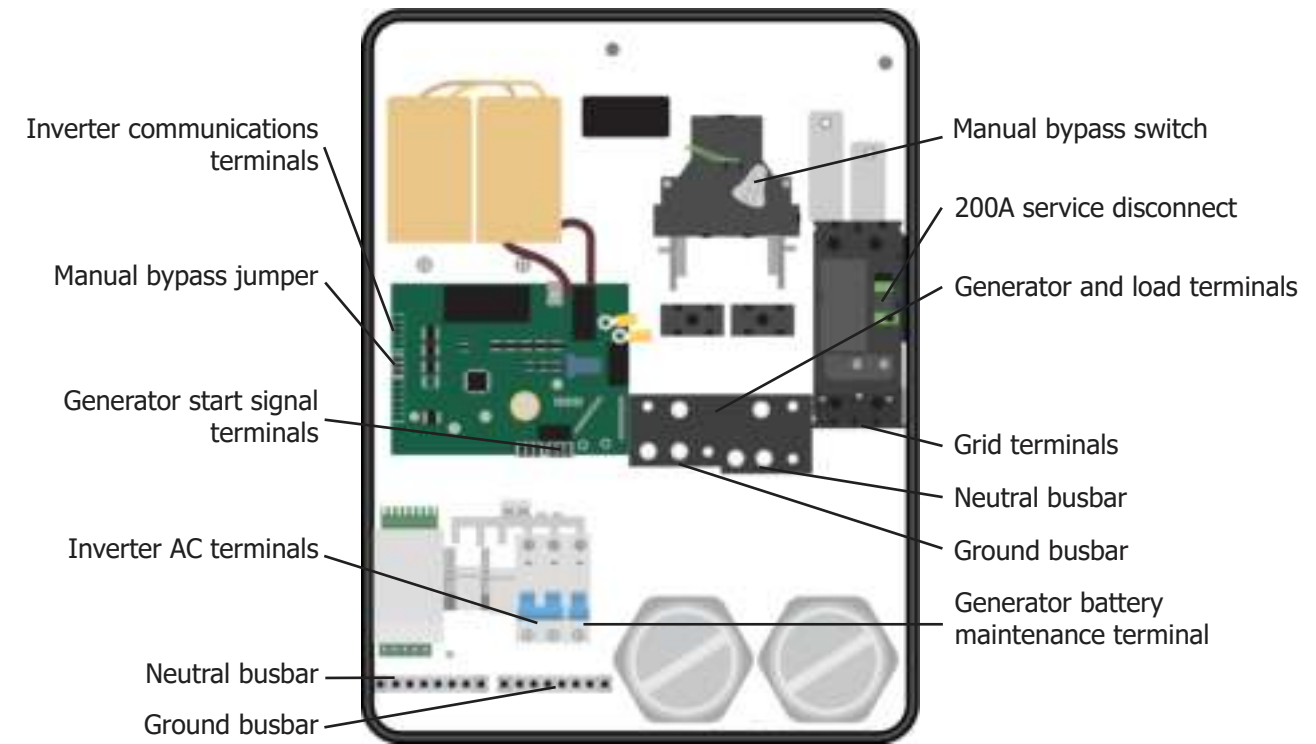
Mount Enclosure

1. Locate the ATS enclosure:
2. In a well-ventilated, easily accessible location.
3. On a flat surface against a solid wall with $\leq 15^\circ$ tilt.
4. Sheltered from direct sunlight and precipitation.

5. Ambient temperature should not exceed 50°C .
6. Away from antennas or other sources of strong electromechanical interference.
7. Above potential flooding.



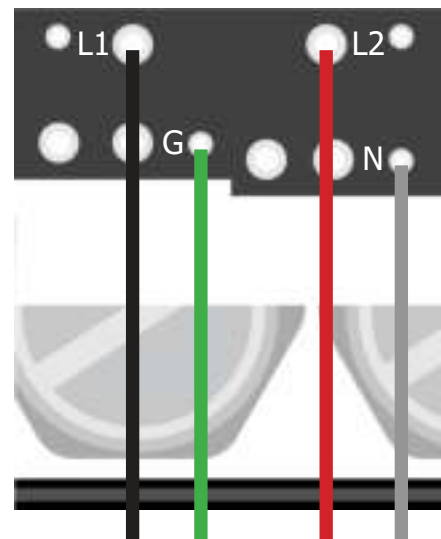
Connection Points



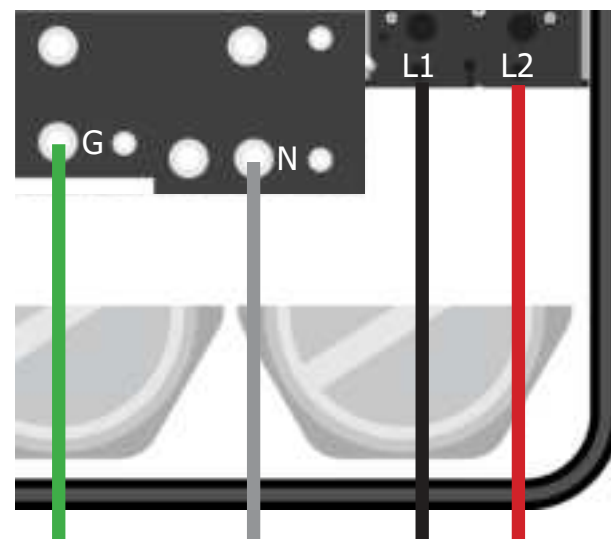
Power Connections

Use non-fine-stranded wire with ferrules. Torque terminals to 22.5Nm.

ATS to Load and Grid 1/0 – 4/0 AWG

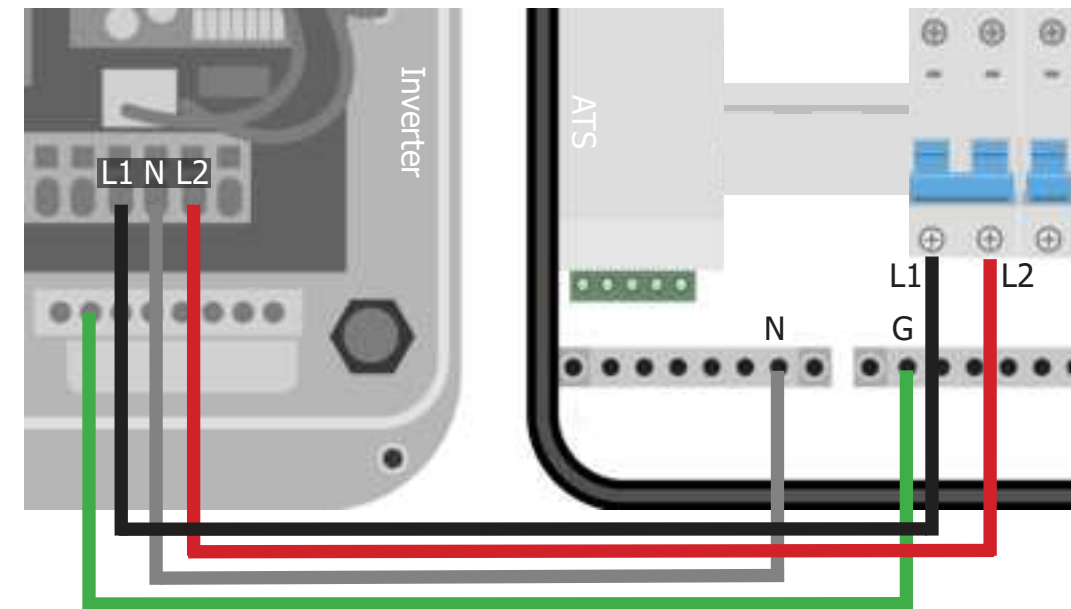


Whole home: to main panel
Partial home: to essential loads panel

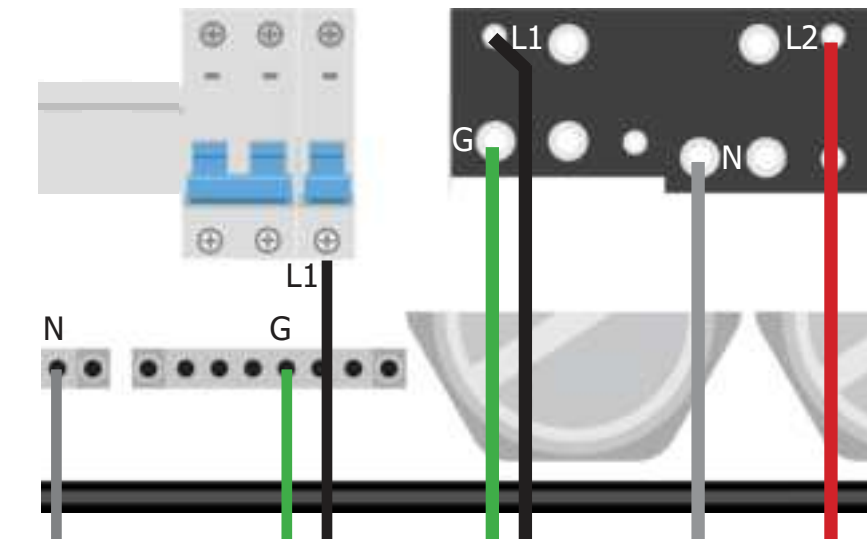


Whole home: to grid
Partial home: to main panel

EI Inverter to ATS 8 – 6 AWG



ATS to Generator (TSS-200A-US-G only) 4 – 1/0 AWG



To generator battery charger
(120V_{AC} 12 – 10 AWG)

To generator power



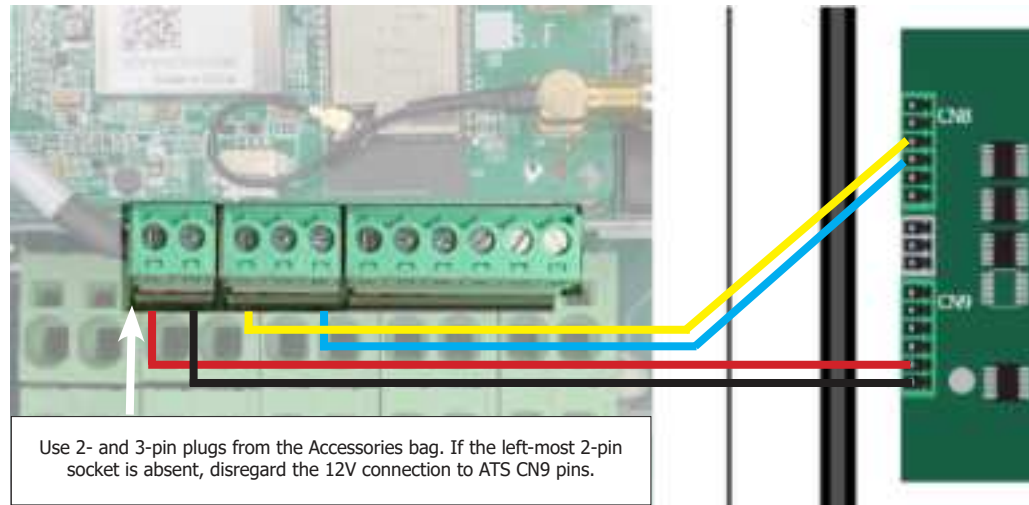
- All components must be installed and maintained by qualified personnel in accordance with applicable electrical codes.
- Always wear appropriate PPE and use insulated tools.
- Improper installation may cause damage not covered by the warranty.

Communications Connections

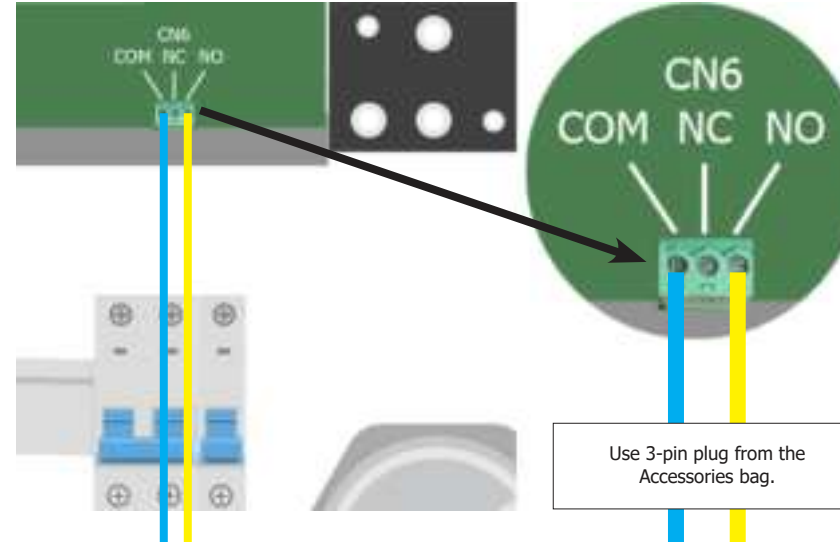
RS-485 You must install the communication connection to the inverter.

Inverter RS-485

ATS



ATS to Generator Start Switch TSS-200A-US-G only



Status Indicators



Symbol	Action	Description
Grid	Continuous	Grid power on
	Off	Grid power off
Communications	Continuous	Operating normally
	Flashing .5s on/.5s off	Error
System Status	Continuous	Operating on-grid
	Flashing .5s on/.5s off	Operating off-grid w/battery and/or generator
Fault	Off	Operating normally
	Flashing .5s on/.5s off 1s on/3s off	Fault present Loads > available power

Manual Bypass Switch

Connects grid power to the home service panel while installing, servicing, or commissioning the system.

To manually bypass the ATS:

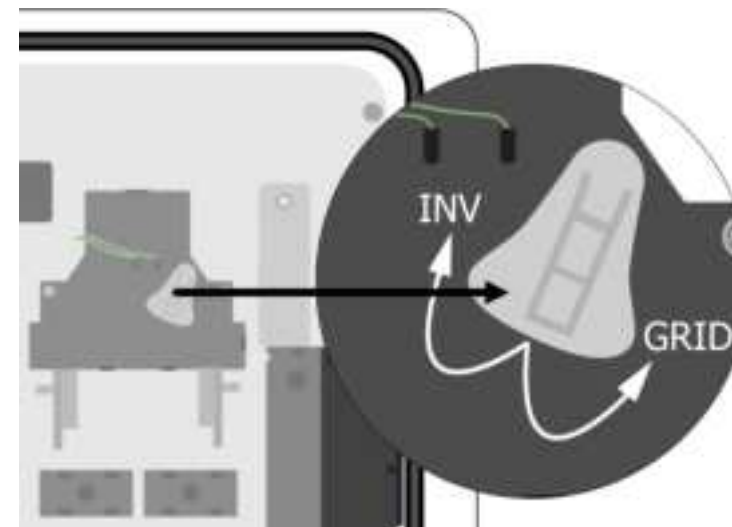
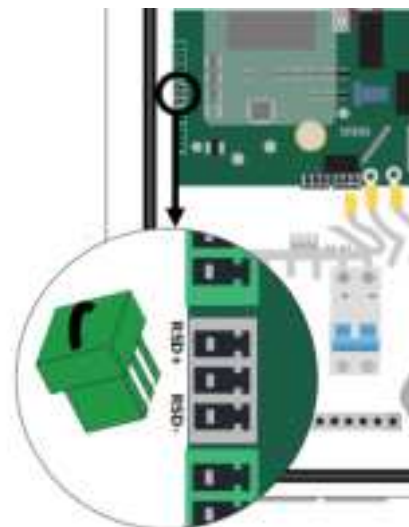
1. **Turn off TWO ATS breakers (service disconnect and inverter) and wait until no ATS LEDs show power.**
2. Plug the 3-pin jumper (in the Accessories bag) with jumped pins 1 and 3 into the *RSD+* and *RSD-* terminals.
3. Remove the black cover, turn the manual bypass switch to *GRID*, and restore power connections.

To reverse the procedure, turn off all power connections, remove and save the jumper, and turn on the system.

Do not manually turn the bypass switch back to INV.

The switch resets automatically.

For important detailed instructions, visit the Help Center [How to Bypass the ATS 200A](#) article.



Commissioning

Commission the system after double-checking all connections and installing the Tigo EI mobile app.

1. Turn on any disconnects and breakers between the grid and the ATS.
2. Ensure the E-Stop RSS initiator button is not engaged.
3. Turn the ATS *Service disconnect* and the inverter *DC disconnect* to ON.
If the inverter does not start, force-start the battery by removing the start button cover and pressing until the green leaf status LED flashes rapidly.
4. Ensure Bluetooth is enabled on your mobile device, open the Tigo EI app, and tap + to create a new system.
5. Open *Select Equipment*, tap *Scan*, and select *EI Inverter*. This listing should match the CCA MAC ID serial number labeled on the left side of the inverter.
6. Complete the commissioning process in the Tigo EI app. For detailed instructions, visit the [tigoenergy.com Help Center](#).

Resources

