

TOTAL

One-Stop Tools Station

TOTAL

IMPACT WRENCH



1050W

Security instructions



Caution

Read all safety warnings and all instructions. Failure to follow the warnings and instructions may result in electric shock, fire, and/or serious injury.

Note: Save all warnings and instructions for future reference. Due to our ongoing R&D&I program, the specifications in this document are subject to change without notice.

1) Work area safety

- a. Keep the work area clean and well lit to prevent accidents.
- b. Do not use power tools in explosive atmospheres, such as in the presence of flammable liquids, gases, or dust that can cause fires.
- c. Keep children and other unauthorized persons away while using a power tool. Distractions can cause you to lose control of the tool.

2) electrical safety

- a. Power tool plugs must match the outlet. Never modify the plug in any way. Using a suitable plug reduces the risk of electric shock.
- b. Avoid bodily contact with grounded surfaces such as pipes, radiators, ranges, and refrigerators. There is an increased risk of electric shock if your body is grounded.
- c. Do not expose power tools to rain or wet conditions. Water entering a power tool will increase the risk of electrical shock.
- d. Never use the cord to carry, pull or unplug the power tool. Keep the cable away from heat or oil.
- e. When using a power tool outdoors, use an extension cord suitable for outdoor use.
- f. If using the tool in a damp location is unavoidable, use a Residual Current Device (RCD) protected supply to reduce the risk of electric shock.

3) Personal security

- a. Always stay alert, watch what you are doing and use common sense when using the tool.
- b. Do not use a power tool if you are tired or under the influence of medication or other substances.
- c. Wear personal protective equipment. Always wear eye protection. Protective equipment such as a dust mask, non-slip safety shoes, hard hat, or hearing protection used in the proper conditions will reduce personal injury. Also don't wear loose clothing or jewelry.
- d. Prevent the tool from turning on unintentionally. Make sure the switch is in the off position before connecting to power source and moving.
- e. Remove any adjusting wrenches or wrenches before turning on the power tool. An adjustable wrench or wrench placed in a rotating part of the power tool can cause serious injury.
- f. If devices are used for dust extraction and collection, make sure they are properly connected. Properly use these devices and you will reduce dust-related hazards.

4) Use and care of battery tools

- a. Recharge the battery only with the charger specified by the manufacturer. An unsuitable charger can create a fire hazard.

- b. Use power tools only with specifically designated batteries. Use of other batteries may create a risk of injury or fire.
- c. When the batteries are not in use, keep it away from other metal objects, such as paper clips, coins, keys, nails, screws, or other small metal objects, that can make a connection from one terminal to another. Shorting the battery terminals can cause burns or fire.
- d. Abusive conditions can cause expulsion of liquid from the battery; avoid contact. If accidentally contacted, rinse immediately with water. If the liquid comes into contact with the eyes, also seek medical help. Liquid expelled from the battery can cause irritation or burns.
- e. Do not use a battery or tool that is damaged or modified. They may exhibit unpredictable behavior resulting in fire, explosion, or risk of injury.
- f. Do not expose a battery or tool to fire or excessive heat. Exposure to fire or temperature above 130°C may cause an explosion.
- g. Follow all charging instructions. Do not charge the battery or tool outside the temperature range specified in the instructions. Improper charging or charging at temperatures outside the specified range may damage the battery or increase the risk of fire.

5) Service

- a. Have your power tool serviced by a qualified person and use replacement parts recommended by the manufacturer. This will ensure that the safety of the power tool is maintained.
- b. Never use damaged batteries. Battery packs should only be serviced by the manufacturer or authorized service providers.

Safety rules for correct use



Double insulation for additional protection



Please read the instruction manual before use.



CE conformity.



Wear safety glasses, hearing protection and a dust mask.



Waste electrical products must not be disposed of with household waste. Please recycle at the appropriate facilities. Check with your local authority or retailer for recycling advice.



Security alert. Use only accessories supported by the manufacturer.

Additional security warnings

security warnings

- Hold power tool by insulated gripping surfaces when performing an operation where it may come into contact with hidden wiring.
- Contacting a "live" wire can cause exposed metal parts of the power tool to become "live" and could give the operator an electric shock.
- The electric motor has been designed for a single voltage. Always check that the power supply corresponds to the voltage indicated on the nameplate.

Other risks

Even when the power tool is used as prescribed, it is not possible to eliminate all residual risk factors:

- a. Health defects resulting from vibration emission if the power tool is used for a longer period of time or if it is not managed and maintained properly.
- b. Injuries and property damage due to broken fixtures breaking suddenly.



Caution

This power tool produces an electromagnetic field during operation. This field can, in some circumstances, interfere with active or passive medical implants.



To reduce the risk of serious injury, we recommend that persons with medical implants consult their physician before using this power tool.

The machine must not be damp and must not be used in a humid environment.



Attention

Safe operation of this machine is only possible when the operating or safety information is fully read and the instructions contained therein are strictly followed.



Technical data

Data sheet	
Power	1050W
Voltage	220-240V~50/60Hz
No load speed	2300/min
Max. Torque	550Nm
Tool holders	1/2"
Screw size	M6-M24

Product description

1. Chuck
2. drill bit
3. Switch on/off (counterclockwise) – ON/OFF
4. Switch on/off (clockwise) – ON/OFF
5. Handle
6. Power cord



Assembly and adjustment

Note: Before using the tool, please read the instruction book carefully. Before assembly and adjustment, always unplug the tool.

Change of the bit

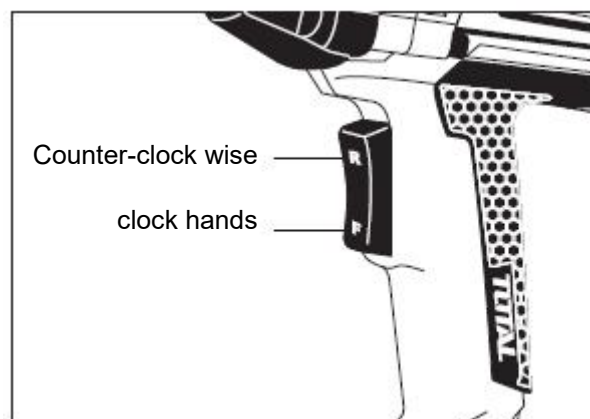


- When working with a tool, pay attention that the bit is firmly seated in the collet or chuck.
- When the application tool is not firmly connected with the tool holder, it can become loose again and not be controlled.
- Slide the application tool into the square of the tool holder.

INSTRUCTIONS FOR USE

- Always observe the safety instructions and applicable regulations.
- Observe the correct mains voltage. The power supply voltage must match the voltage specified on the machine nameplate.

Change of direction of rotation



- Clockwise: Press the bottom of the ON/OFF switch and hold it down.
- counterclockwise: Press the top of the ON/OFF switch and hold it down.

Power on and off (ON/OFF)

- To turn on the machine, press the on/off switch and hold it down.
- To turn off the machine, release the ON/OFF switch.
- When you are not using the power tool, turn it off and unplug it.

Tightening torques

Reference values for maximum screw/bolt tightening torques. It is calculated from the tensional cross section; Use of the elastic limit of 90% (with coefficient of friction μ total = 0.12).

As a control measure, always check the tightening torque with a torque wrench.

property classes*	screw size	Standard Screws/Bolts								High strength bolts		
		3.6	4.6	5.6	4.8	6.6	5.8	6.8	6.9	8.8	10.9	12.9
M6	10	2.71	3.61	4.52	4.8	5.42	6.02	7.22	8.13	9.7	13.6	16.2
M8	13	6.57	8.7	11	11.6	13.1	14.6	17.5	19.7	23	33	39
M10	17	13	17.5	22	23	26	29	35	39	47	65	78
M12	19	22.6	30	37.6	40	45	50	60	67	80	113	135
M14	21(22)	36	48	60	65	72	79	95	107	130	180	215
M16	23	55	73	92	98	110	122	147	165	196	275	330
M18	27	75	101	126	135	151	168	202	227	270	380	450
M20	30	107	143	178	190	214	238	286	320	385	540	635

*Property classes: according to DIN267

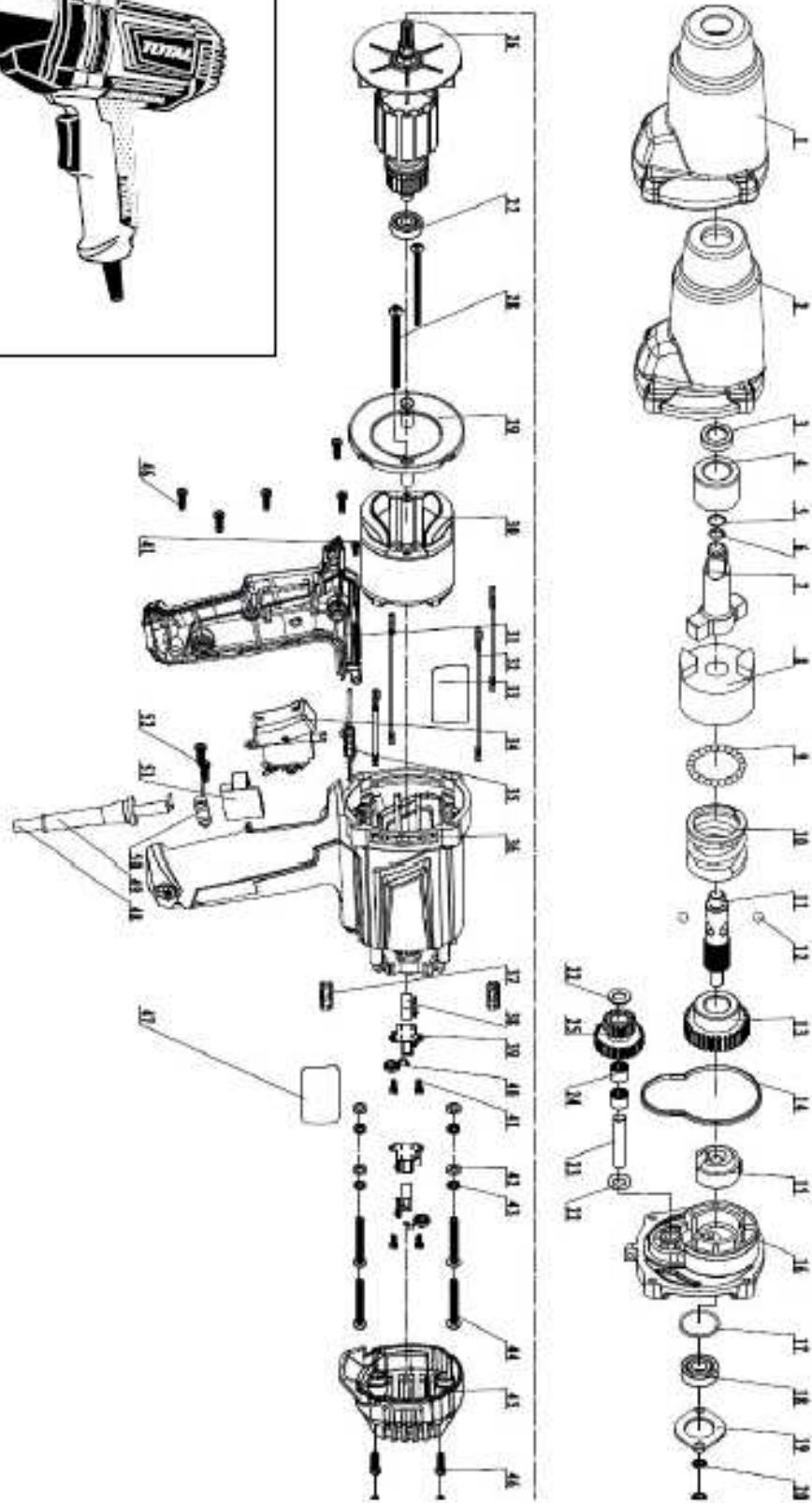
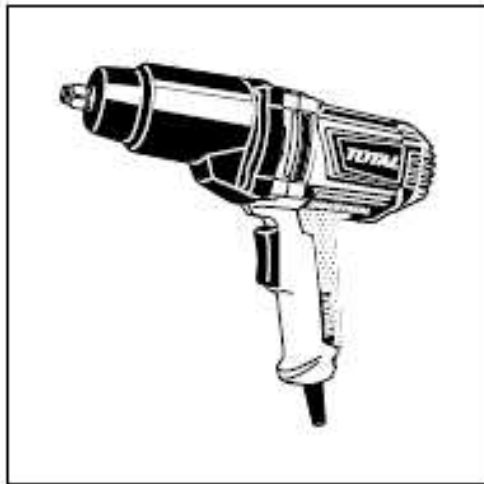
Maintenance

- For safe and proper operation, always keep the ventilation slots clean.
- Waste electrical products must not be disposed of with household waste.
- Please recycle at the appropriate facilities. Check with your local authority or retailer for recycling advice.
- The appliance must only be used by qualified persons with knowledge and experience with this type of tool.

Environment

- Do not dispose of electrical appliances as unsorted municipal waste, use separate collection facilities.
- Contact your local authority for information on available collection systems.
- If electrical appliances are disposed of in landfills, hazardous substances can seep into the groundwater and enter the food chain, harming your health and well-being.

Exploded view



TOTAL

One-Stop Tools Station

TOTAL



IMPACT WRENCH

1050W