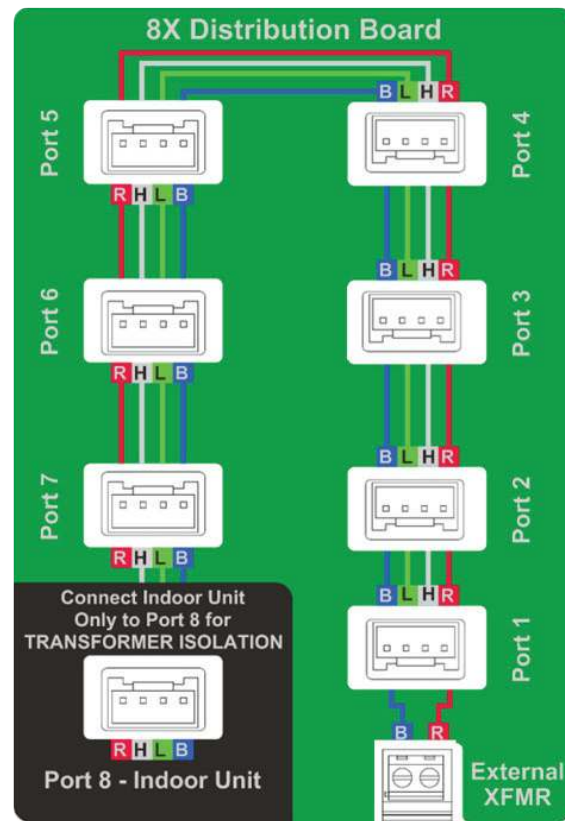


# 8 Port Distribution Board

## Installation Guide



With Link technology

**ALL phases of this installation must comply with NATIONAL, STATE AND LOCAL CODES.**

**IMPORTANT – Proper application is critical when installing zoning systems. Not done correctly, the HVAC and zoning system will not provide the expected comfort. Reference application bulletins CNT-APG003-EN/Trane and CNT-APG004-EN/AS for detailed information on Zoning Application.**

**IMPORTANT -** This Document is customer property and is to remain with this unit. Please return to service information pack upon completion of work.

These instructions do not cover all variations in systems or provide for every possible contingency to be met in connection with the installation. Should further information be desired or should particular problems arise which are not covered sufficiently for the purchaser's purposes, the matter should be referred to your installing dealer or local distributor.

## Contents

1. Safety .....	2
2. General Information .....	3
3. Component Wiring .....	3
4. 8X Distribution Board .....	4

---

## 1. Safety

### **WARNING**

This information is intended for use by individuals possessing adequate backgrounds of electrical and mechanical experience. Any attempt to repair a central air conditioning product may result in personal injury and/or property damage. The manufacturer or seller cannot be responsible for the interpretation of this information, nor can it assume any liability in connection with its use.

### **WARNING**

#### **LIVE ELECTRICAL COMPONENTS!**

During installation, testing, servicing, and troubleshooting of this product, it may be necessary to work with live electrical components. Failure to follow all electrical safety precautions when exposed to live electrical components could result in death or serious injury.

## 2. General Information

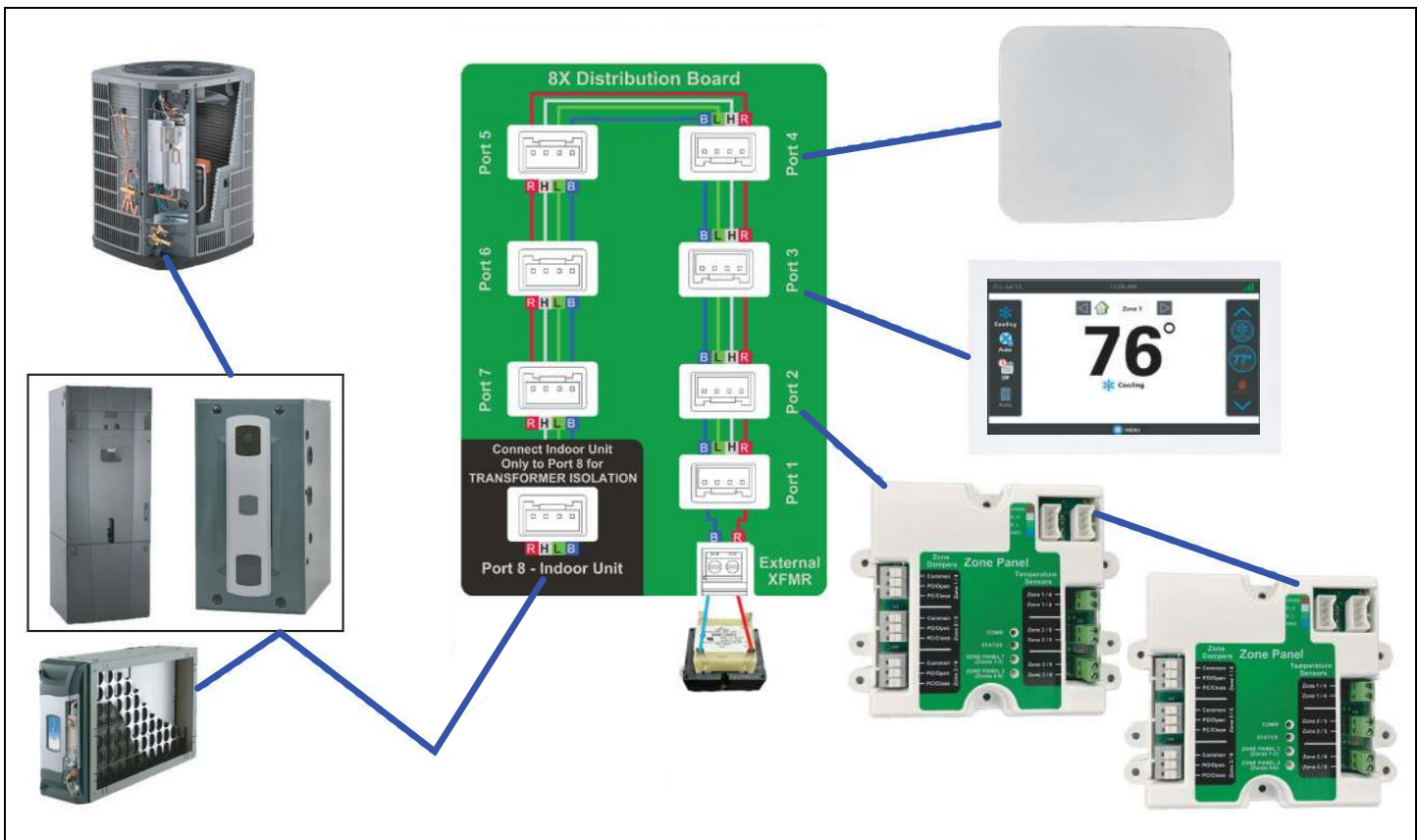
The 8X distribution board is required to isolate the transformer loads.

- The Indoor unit, outdoor unit, and air cleaner should be powered from the indoor unit transformer.
- Furnaces will require the installation of the 50VA transformer when incorporating an electronic air cleaner.

The Link control components (system controller, thermostat and zone panels) will be controlled through the secondary transformer.

The transformer that powers the zone panels will also power the dampers.

- This wiring technique separates the system loads from the zoning loads; allowing each transformer to control the dedicated components.



## 3. Component Wiring

Control wiring is more challenging if a secondary transformer is needed. The 8X distribution board will also be required to isolate the transformer loads.

- The Indoor unit, outdoor unit, and air cleaner should be powered from the indoor unit transformer.
- Furnaces will require the installation of the 50VA transformer when incorporating an electronic air cleaner.

The Link control components (system controller, thermostat, and zone panels) will be controlled through the secondary transformer. The transformer that powers the zone panels will also power the dampers.

- This wiring technique separates the system loads from the zoning loads; allowing each transformer to control the dedicated components.

## 4. 8X Distribution Board

The 8X distribution board provides eight connection points for Link communication and the 24-volt power source.

The bottom of the distribution board has two dedicated headers for the secondary transformer and connection to the indoor unit.

Ports one through seven are to control devices from the second transformer load.

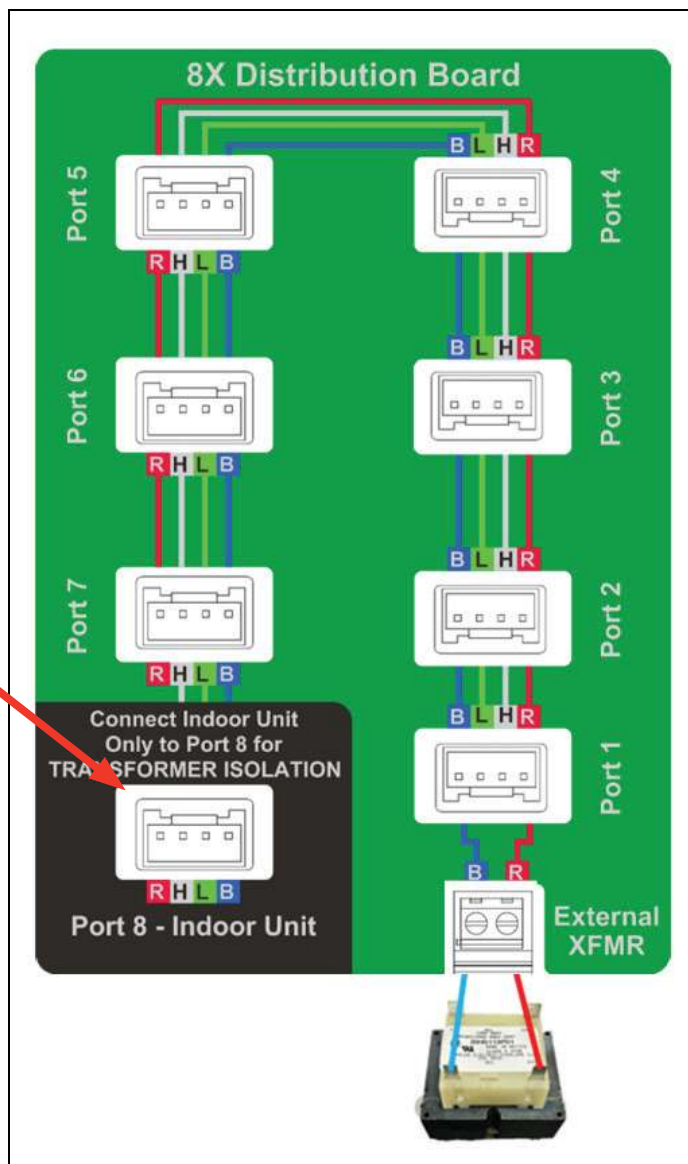
The bottom left header must be connected to the communication circuit from the indoor unit transformer whenever the calculated load requires the installation of a second transformer.

This connection provides Link communication to the distribution board and extends this communication to all devices connected to the 8X distribution board.

**Notice the 24V R is not connected to port 8. This break in R eliminates the need for transformer phasing.**

### Notes:

- **Since the two 24VAC transformers are isolated, phasing is not a concern.**
- *Do not ground the secondary side of the second transformer.*
- *Leave this secondary voltage floating.*



About Trane and American Standard Heating and Air Conditioning

Trane and American Standard create comfortable, energy efficient indoor environments for residential applications. For more information, please visit [www.trane.com](http://www.trane.com) or [www.americanstandardair.com](http://www.americanstandardair.com)

The manufacturer has a policy of continuous data improvement and it reserves the right to change design and specifications without notice. We are committed to using environmentally conscious print practices.

*Representative-only illustrations included in this document.*

*All trademarks referenced are the trademarks of their respective owners. Google is a trademark of Google LLC.*