

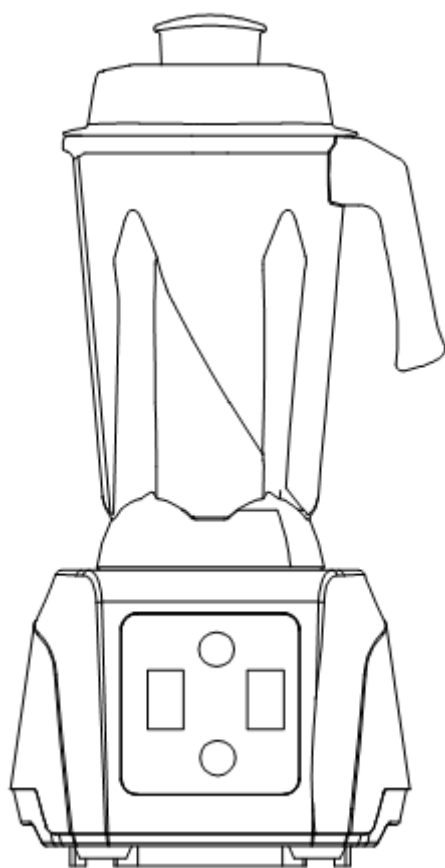
TRUFROST & BUTLER

USER MANUAL

**Commercial Blender
TruBlend 1.8T**

USER MANUAL

For Food blender



Operating Instruction

Thank you for purchasing this appliance. Read this entire manual before connecting the appliance to prevent damage due to improper use. Pay special attention to the (special) safety instructions.

Safety instructions

Incorrect operation and improper use of the appliance can seriously damage the appliance and injure users.

- The appliance may only be used for the purpose for which it was intended and designed. The manufacturer is not liable for any damage caused by incorrect operation and improper use.
- Keep the appliance and electrical plug away from water and any other liquids. In the unlikely event that the appliance should fall into water, immediately pull the plug out of the socket and have the appliance checked by a certified technician. Not following these instructions could give rise to life-threatening situations.
- Never try to open the casing of the appliances yourself.
- Do not insert any objects in the casing of the appliance.
- Do not touch the plug with wet or damp hands.
- Regularly check the plug and cord for any damage. Should the plug or cord be damaged have it/them repaired by a certified repair company.
- Do not use the appliance after it has fallen or is damaged in any other way. Have it checked and repaired, if necessary, by a certified repair company.
- Do not try to repair the appliance yourself. This could give rise to life-threatening situations.
- Make sure the cord does not come in contact with sharp or hot objects and keep it away from open fire. To pull the plug out of the socket, always pull on the plug and not on the cord.
- Make sure that no one can accidentally pull the cord (or extension cord) loose or trip over the cord.
- Always keep an eye on the appliance when in use.
- Children do not understand that incorrect use of electrical appliances can be dangerous. Therefore, never let children use home appliances without supervision.
- Always pull the plug out of the socket when the appliance is not being used and always before cleaning.
- Warning! As long as the plug is in the socket the appliance is connected to the power source.
- Turn off the appliance before pulling the plug out of the socket.
- Never carry the appliance by the cord.
- This appliance is solely used for blending food.
- Do not use any extra devices that are not supplied along with the appliance.
- Only connect the appliance to an earthed VAC electrical socket.
- Avoid overloading.
- Tamper can only be put into the jar while the jar lid is placed onto the jar.
- Turn off the appliance after use by removing the plug from the socket.

- Always remove the plug from the socket when filling or cleaning the appliance.
- The electrical installation must satisfy the appliance national and local regulations.
- This appliance is not intended for use by persons (including children) with reduced physical, sensory or mental capabilities, or lack of experience and knowledge, unless they have been given supervision or instruction concerning use of the appliance by a person responsible for their safety.

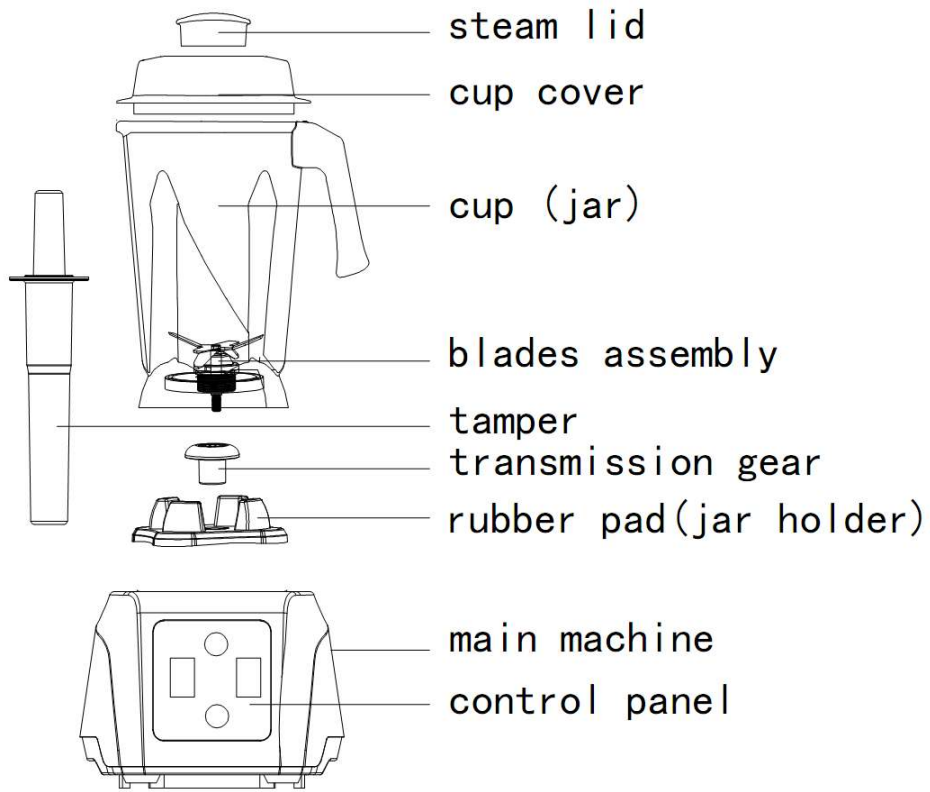
Special safety instructions

- The cutting blades in the container can cause severe injury. Do not reach into the container!
- Moving parts will become hot with extended use. Don't touch the moving parts. Risk of burns!
- Be careful when blending hot liquids. Only blend hot liquids at the lowest speed and with the lid firmly in place. Risk of burns by escaping steam and splashes!
- Unplug the appliance from the power outlet if not in use.
- Make sure the main machine is switched off before placing the container onto the main machine.

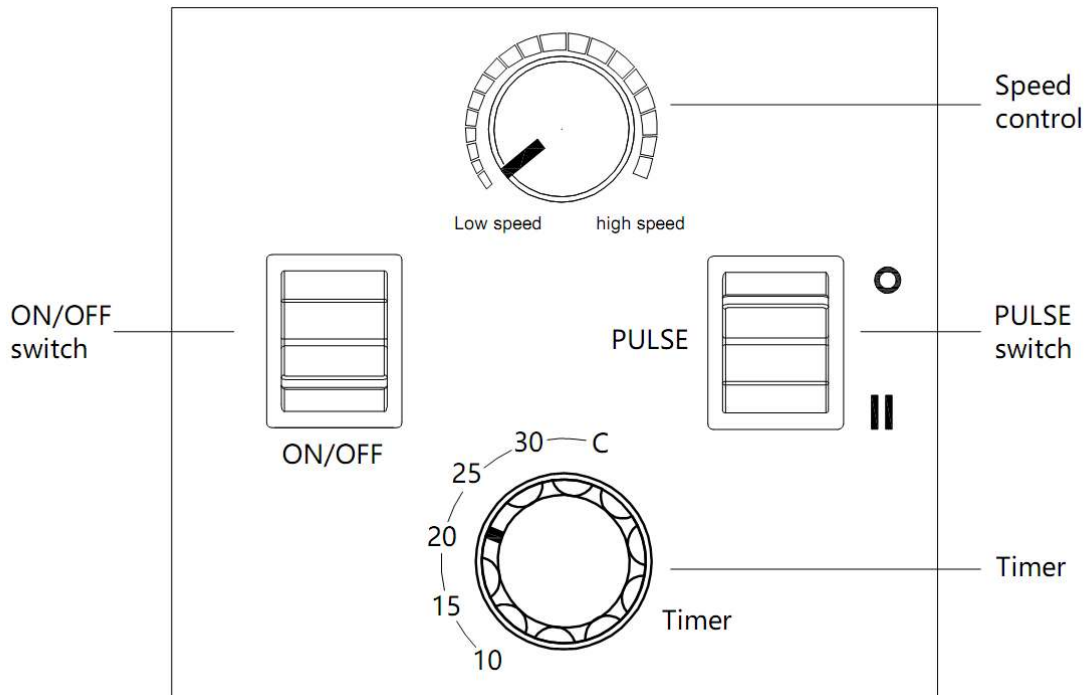
Preparations before using for the first time

- Check to make sure the appliance is undamaged. In case of any damage, contact your supplier immediately and do NOT use the appliance.
- Remove all the packing material.
- Clean the appliance with lukewarm water and a soft cloth.
- Place the appliance on a level and steady surface.
- Position the appliance in such a way that the plug is accessible at all times.

Diagram



Control panel



Operation for mechanical control blender

- Check if the main machine is switched off.
- Plug the appliance into mains.
- Place the ingredients in the container.
- Close the lid firmly.
- Place the container onto the main machine.
- Close the soundproof cover properly.
- Switch on the main machine by pressing the ON/OFF switch one time. To stop the main machine, press the ON/OFF switch for the second time.
- Max power 5min ON, 2min OFF
- Dial the timer knob (bottom center knob) to select the desired time setting (10 seconds / 15 seconds / 20 seconds / 25 seconds / C). Option "C" means continuously.
- The ON/OFF switch (left button) on the main machine let the appliance run continuously at the variable speed determined setting of the speed dial (top center knob). Press the ON/OFF switch one time to start working. When the machine is working, press the ON/OFF switch to stop working.
- Turn the speed dial clockwise for increasing the speed and counter clockwise for decreasing the speed.
- The Pulse button (right button) on the main machine lets the motor run at a full speed. The motor stops if the button is released.
- Switch off the motor and wait until the motor comes to a complete stop before removing the container.
- The motor will automatically shut down if the container is removed.
- Unplug the appliance from the outlet when not in use.

Caution: The motor will re-start if the container is placed back on the main machine with the motor still switched on. This will damage the clutch on the main machine and on the container. Only place the container onto the main machine if the motor is switched off.

Cleaning and maintenance

- Always remove the plug from mains before cleaning the appliance.
- Beware: Never immerse the appliance in water or any other liquid!
- Clean the outside of the appliance with a damp cloth (water and a mild detergent).
- Never use aggressive cleaning agents and/or abrasives. Do not use any sharp and/or pointed objects. Do not use petrol or solvents! Clean with a damp cloth and detergent if necessary. Do not use abrasive materials.
- The container must be cleaned, rinsed and dried immediately after each use.

Container cleaning procedure

- Pour water and a mild detergent into the container.
- Place the lid onto the container.
- Place the container on to the main machine.
- Switch the main machine on at full speed for 10-20 seconds.

- Switch off the main machine.
- Remove the container from the main machine.
- Rinse the container thoroughly with clean water.
- Dry the in- and outside of the container.
- Store the container upside down.
- The container is NOT dishwasher proof!
- The underside of the container may never come into contact with any liquid!

Warranty

Any defect affecting the functionality of the appliance and which occurs within one year of its purchase will be repaired or replaced free of charge provided the appliance has been used and maintained in accordance with the instructions and has not been abused or used improperly in any way. This is without prejudice to your statutory rights. If the warranty applies, state where and when the appliance was bought and included proof of purchase (e.g. till receipt).

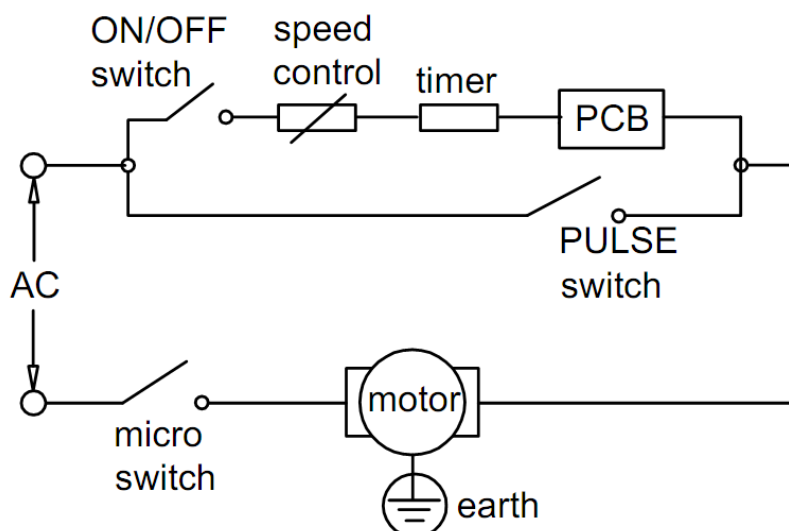
In line with our policy of continuous product development we reserve the right to change the product, its packaging or documentation without prior notice.

Discarding & Environment

At the end of the life of the appliance, please dispose of the appliance according to the regulations and guidelines applicable at the time.

Throw packing materials like plastic and boxes in the appropriate containers.

Electric Diagram



Technical Details

Power supply	<input checked="" type="checkbox"/> 220-240VAC
Frequency	<input checked="" type="checkbox"/> 50Hz
Rated Power	<input checked="" type="checkbox"/> 1680W
Cup capacity	<input checked="" type="checkbox"/> 1.8L

Marketed globally by:

TRUFROST AND BUTLER PRIVATE LIMITED

1215, 12th Floor, Tower B, Emaar Digital Greens, Golf Course Extn. Road,
Sector 61, Gurugram – 122011

T. +91-7303166766 info@trufrost.com

www.trufrost.com