

4. CHARGE YOUR PHONE

USB OUTPUT
5V / 2.4A

PDF Adobe

5. REPLACE FUSE

20A, 250V

OVERLOAD ⚠

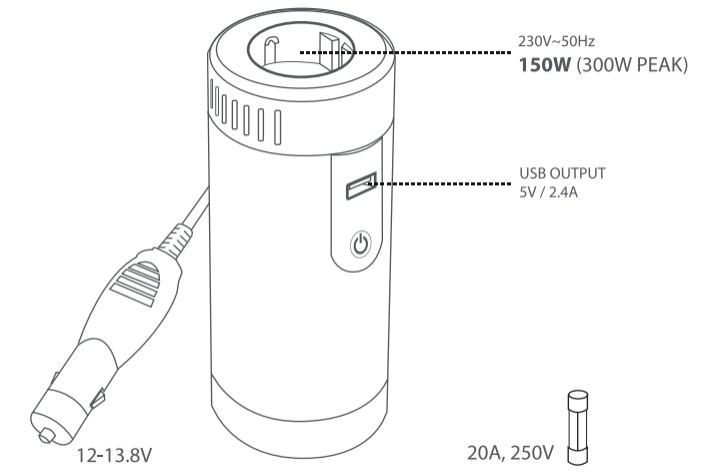
>150W X
230V - MAX 150W

Frequently asked questions
www.trust.com/20838/faq

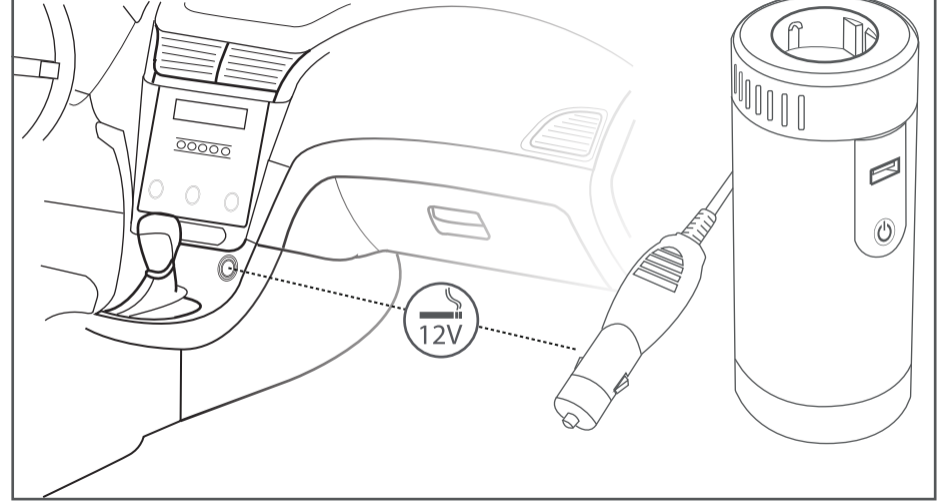
Trust International BV, Laan van Barcelona 600 3317DD Dordrecht, NL
© 06-01-2016 Trust International B.V. All rights reserved.

**CAR 230 VOLT
POWER SOCKET**
12V TO 230V POWER INVERTER

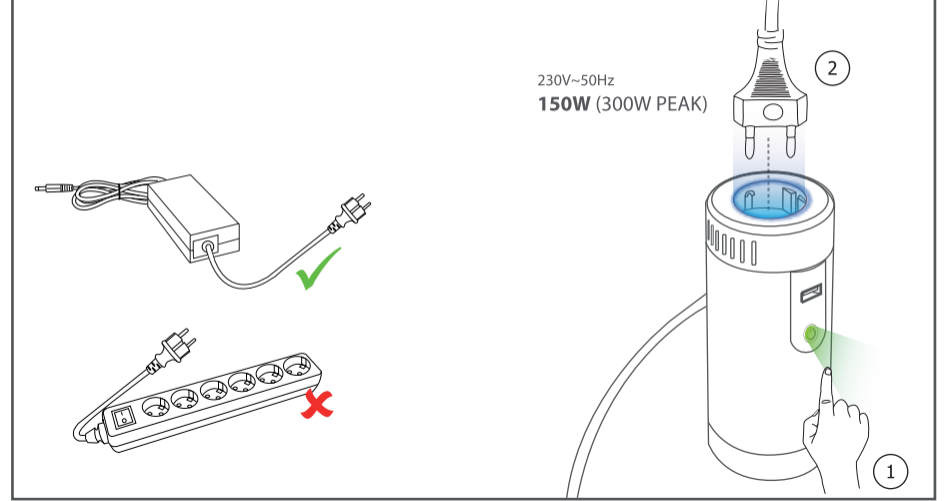
SETUP



1. CONNECTING 1/2



2. CONNECTING 2/2



3. INTENDED USE

