

UGREEN

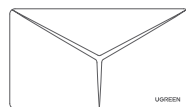
Video Capture Device

Model: CM410 | P/N: 10936

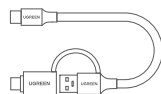
Preface

Thank you for purchasing the UGREEN products. For optimum operation, please read this manual carefully before using.

Package Contents



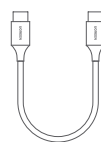
1× Video Capture Device



1× USB 3.0 Cable (0.5m)
(C to A+C)



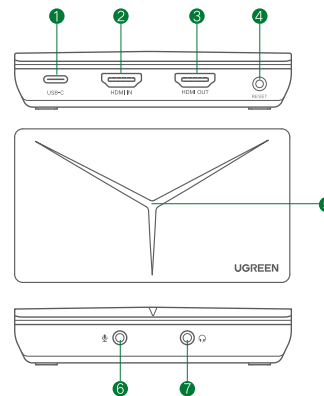
1× User Manual



1× HDMI Cable (1.5m)

-1-

Product Overview



- 1 USB-C output
- 2 HDMI input
- 3 HDMI loop out
- 4 Reset button
- 5 Power indicator light
- 6 3.5mm mic jack
- 7 3.5mm headset with mic jack

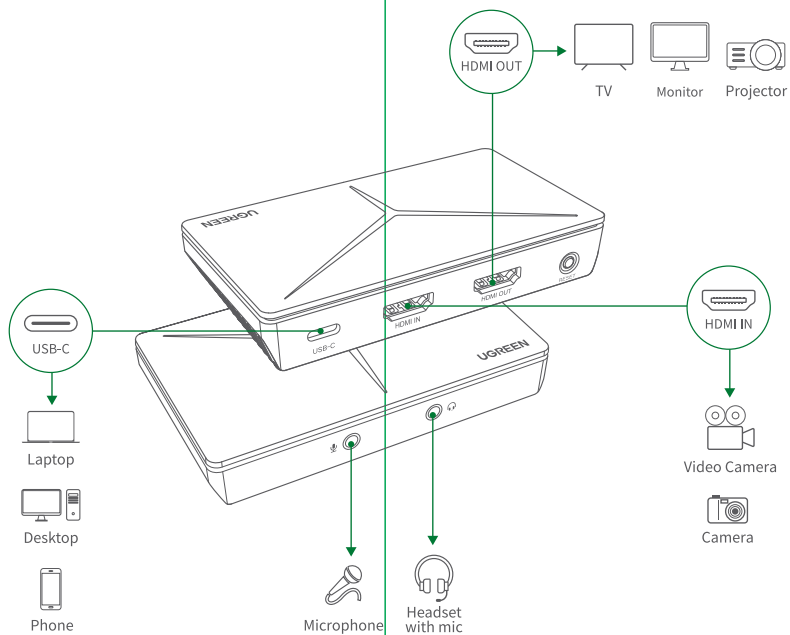
-2-

Specifications

- Input port: HDMI IN (4K@30Hz max)
- Loop out port: HDMI OUT (fixed 1080P@60Hz)
- Capture port: USB-C (1080P@60Hz)
- USB-C port: USB 3.0, theoretical transfer rate up to 5Gbps
- Audio output: 3.5mm 3-pole/4-pole headset with mic
- Audio input: 3.5mm 2-pole microphone
- Sampling rate: 48KHz/24bit
- SNR: ≥90dB
- THD: <-80dB
- Operating systems: Windows 7/8/10/Android/macOS 10.5 and higher/Linux kernel 2.4.6 and higher
- Compatible software: OBS Studio/XSplit/Potplayer/QuickTime Player

-3-

How It Works



-4-

-5-

Driver Instructions

1. No need to install any driver on Windows 8/10, macOS and Linux.
2. When operating the product on Windows 7, install drivers if connect to USB 3.0 port while no driver required of USB 2.0 port.
Login "<https://www.ugreen.com/>", find "Support-Download" and search the product SKU/Model to download the drivers.

Notes

- Disconnect the charging cable when not in use for a long time.
- Keep it dry. Do not operate it in a damp environment to avoid internal circuit faults.
- Do not drop, squeeze, strike or throw the product to avoid internal circuit board damage.
- Dispose of the product properly, following local regulations.
- For the purpose of disassembly, please contact UGREEN after-sales service only or such other service providers designated by UGREEN.
- Keep out of reach of children.

-6-

HDMI™

The Adopted Trademarks HDMI, and the HDMI Logo are trademarks or registered trademarks of HDMI Licensing Administrator, Inc. in the United States and other countries.