



# Swing Speed Gate

## Quick Guide

V1.00

# Contents

Preface .....	1
Legal Statement .....	2
Safety Precautions .....	4
1. Packing List .....	8
2. Introduction .....	9
2.1.1 Whole Unit .....	9
2.1.2 Control Board.....	10
2.1.3 Access Control Board .....	13
3. Device Installation .....	14
3.1 Installation Preparation .....	15
3.2 Install Barriers.....	16
3.3 Secure the Gate .....	19
3.4 Wiring.....	20
4. Startup.....	24
5. Web Login .....	25
6. Remote Control Operations .....	25
6.1 Remote Control Pairing .....	25
6.2 Restore Factory Defaults.....	26

# Preface

The content of this section is designed to ensure that users use the product correctly to prevent dangers or property loss caused by improper operation. Before using this product, be sure to read this manual carefully. Please keep this manual properly for future reference.

## About This Manual

- We recommend that you use this manual under the guidance of a professional.
- This manual is designed for use with multiple product models, and it is not possible to list the appearance and functions of each product individually. Please refer to the actual product for use.
- This manual is intended for multiple software versions, and the illustrations and descriptions in this manual may be different from the actual GUI and functions of the software.
- Despite our best efforts, technical or typographical errors may exist in this manual. Uniview cannot be held responsible for any such errors and reserves the right to change the manual without prior notice.
- Users are fully responsible for the damages and losses that arise due to improper operation.
- Uniview reserves the right to change any information in this manual without any prior notice or indication. Due to such reasons as product version upgrade or regulatory requirement of relevant regions, this manual will be periodically updated.
- This manual will be updated in real time according to the laws and regulations of the relevant regions. For specific details, please refer to the product's paper copy, QR code, or official website. In case of any discrepancy between the paper copy and the electronic version, the electronic version shall prevail.

## About This Product

If the product you have chosen is a video product, please strictly adhere to the applicable laws and regulations. You can visit our official website to inquire about the relevant content.

## Instructions for Use

- This document serves as a guide for use only. All statements, information, and suggestions contained in this document do not constitute any express or implied warranty.
- We assume no responsibility for any special, incidental, consequential, or indirect damages resulting from the use of this manual or the use of our products, including but not limited to losses due to loss of business profits, data or document loss, and product malfunction or information leakage caused by cyber-attack, hacker attack, and virus infections.
- Due to uncertain factors such as the physical environment, there may be discrepancies between the actual values of some data and the reference values provided in the manual. In case of any questions or disputes, the company's final interpretation shall prevail.




## Formatting Conventions

The UI formatting conventions used in this document are as follows:

Format	Meaning
<b>Bold</b>	Bold means UI elements (button names, menu names, window names, etc.), e.g., Click Save.
>	Indicate a sequence of actions, e.g., click Device Management > Add Device, which means first click Device Management, and then click Add Device.

## Symbol Conventions

This document uses various distinctive symbols to highlight areas that require special attention during the operation process. The meanings of these symbols are as follows:

Symbol	Meaning
	<b>NOTE:</b> Provides tips and additional information related to the operation and use of the product.
	<b>CAUTION:</b> Alerts to matters that requires attention during operation, as improper handling may lead to product damage, data loss, or functional abnormalities.
	<b>WARNING:</b> The annotations following this symbol demand extra attention, as improper handling could potentially cause personal injury.


# Legal Statement

## Copyright Statement

©2025-2026 Zhejiang Uniview Technologies., Co., Ltd. All rights reserved.

All parts of this document, including but not limited to text, images, and graphics, are copyrighted and belong to Zhejiang Uniview Technologies Co., Ltd (hereinafter referred to as "Uniview" "we" "us"). Without our written permission, no organization or individual may excerpt, copy, translate, modify, or disseminate any part or all of the content of this manual in any form. The products described in this manual may contain software copyrighted by us and any potential licensors. Without the permission of the relevant rights holders, no one may copy, distribute, modify, excerpt, decompile, disassemble, decrypt, reverse engineer, rent, transfer, sublicense, or engage in any other actions that infringe upon the software copyright in any form.

## Trademark Acknowledgements

 are trademarks or registered trademarks of Uniview.

All other trademarks, products, services and companies in this manual or the product described in this manual are the property of their respective owners.

## Export Compliance Statement

Uniview complies with applicable export control laws and regulations worldwide, including that of the People's Republic of China and the United States, and abides by relevant regulations relating to the export, re-export and transfer of hardware, software and technology. Regarding the product described in this manual, Uniview asks you to fully understand and strictly abide by the applicable export laws and regulations worldwide.

## EU Authorised Representative

UNV Technology EUROPE B.V. Treubstraat 1, 2288 EG, Rijswijk, Netherlands.

If you have any feedback, please contact us at [service@uniview.com](mailto:service@uniview.com).

## Disclaimer of Liability

- We assume no responsibility and offer no compensation for any special, incidental, consequential, or indirect damages resulting from the use of this manual or our products, including but not limited to losses related to lost business profits, data, or document loss.
- The product described in this manual is provided on an "as is" basis. Unless required by applicable law, this manual is only for informational purpose, and all statements, information, and recommendations in this manual are presented without warranty of any kind, expressed or implied, including, but not limited to, merchantability, satisfaction with quality, fitness for a particular purpose, and noninfringement.
- Users must assume total responsibility and all risks for connecting the product to the Internet, including, but not limited to, network attack, hacking, and virus. Uniview strongly recommends that users take all necessary measures to enhance the protection of network, device, data and personal information. Uniview disclaims any liability related thereto but will readily provide necessary security related support.
- To the extent not prohibited by applicable law, in no event will Uniview and its employees, licensors, subsidiary, affiliates be liable for results arising out of using or inability to use the product or service, including, not limited to, loss of profits and any other commercial damages or losses, loss of data, procurement of substitute goods or services; property damage, personal injury, business interruption, loss of business information, or any special, direct, indirect, incidental, consequential, pecuniary, coverage, exemplary, subsidiary losses, however caused and on any theory of liability, whether in contract, strict liability or tort (including negligence or otherwise) in any way out of the use of the product, even if Uniview has been advised of the possibility of such damages (other than as may be required by applicable law in cases involving personal injury, incidental or subsidiary damage).
- To the extent allowed by applicable law, in no event shall Uniview's total liability to you for all damages for the product described in this manual (other than as may be required by applicable law in cases involving personal injury) exceed the amount of money that you have paid for the product.
- When using this product, please strictly adhere to the applicable laws and regulations to avoid infringing upon the rights of third parties, including but not limited to intellectual property rights, data rights, or other privacy rights. You must also not use this product for the purposes of developing or facilitating the use of weapons of mass destruction, biological or chemical weapons, nuclear weapons, or for any other purposes that violate international norms and regulations.

## Privacy Protection Reminder

Uniview complies with appropriate privacy protection laws and is committed to protecting user privacy. You may want to read our full privacy policy at our website and get to know the ways we process your personal information. Please be aware, using the product described in this manual may involve the collection of personal information such as face, fingerprint, license plate number, email, phone number, GPS. Please abide by your local laws and regulations while using the product.

## Safety Precautions

The device must be installed, serviced and maintained by a trained professional with necessary safety knowledge and skills. Before you start using the device, please read through this guide carefully and make sure all applicable requirements are met to avoid danger and loss of property.

### Storage, Transportation, and Use

- Store or use the device in a proper environment that meets environmental requirements, including and not limited to, temperature, humidity, dust, corrosive gases, electromagnetic radiation, etc.
- Make sure the device is securely installed or placed on a flat surface to prevent falling.
- Unless otherwise specified, do not stack devices.
- Ensure good ventilation in the operating environment. Do not cover the vents on the device. Allow adequate space for ventilation.
- Protect the device from liquid of any kind.
- Make sure the power supply provides a stable voltage that meets the power requirements of the device. Make sure the power supply's output power exceeds the total maximum power of all the connected devices.
- Verify that the device is properly installed before connecting it to power.
- Do not remove the seal from the device body without consulting Uniview first. Do not attempt to service the product yourself. Contact a trained professional for maintenance.
- Always disconnect the device from power before attempting to move the device.
- Take proper waterproof measures in accordance with requirements before using the device outdoors.

### Power Requirements

- Install and use the device in strict accordance with your local electrical safety regulations.
- Use a UL certified power supply that meets LPS requirements if an adapter is used.
- Use the recommended cordset (power cord) in accordance with the specified ratings.
- Only use the power adapter supplied with your device.
- Use a mains socket outlet with a protective earthing (grounding) connection.
- Ground your device properly if the device is intended to be grounded.

### Battery Safety

Please use batteries properly; otherwise, there is a risk of fire or explosion.

- Warning: Using incorrect battery models can lead to explosion.
- If you need to replace the battery, it is recommended that you go to an authorized service center or have it replaced under professional supervision. We shall not be held responsible for any issues arising from unauthorized battery replacement.
- When replacing the battery, be sure to use a battery of the same type as the original! Using the wrong model for replacement (such as certain types of lithium batteries) may cause safety protection to fail.
- Batteries must not be exposed to overheat environments such as sunlight, fire, as this may lead to fire, explosion, or combustion.
- Do not dispose of batteries in fire or heating appliances. Do not squeeze, bend, or cut batteries, as it may cause explosion.
- Do not expose batteries to extremely high or low temperatures, or to very low-pressure environments, as this may cause explosion or leakage of flammable liquid/gas.
- Dispose of the used battery according to your local regulations or the battery manufacturer's instructions.
- For products or the included remote control containing a button cell battery: Do not ingest the battery - chemical burn hazard! If swallowed, a button cell battery can cause severe internal burns within 2 hours and may be fatal. Precautions (including but not limited to):
  - Keep new and used batteries away from children.
  - Stop using the product and keep it away from children if the battery compartment is not securely closed.
  - If you suspect that a battery may have been swallowed or inserted inside any part of the body, seek immediate medical attention.

## Network Security

Please take all necessary measures to enhance network security for your device.

The following are necessary measures for the network security of your device:

- Change default password and set strong password: You are strongly recommended to change the default password after your first login and set a strong password of at least nine characters including all three elements: digits, letters and special characters.
  - Do not include the account name or the reverse of the account name.
  - Avoid using consecutive characters, such as 123, abc, etc.
  - Do not use overlapping characters, such as 111, aaa, etc.
- Keep firmware up to date: It is recommended that your device is always upgraded to the latest version for the latest functions and better security. Visit Uniview's official website or contact your local dealer for the latest firmware.

The following are recommendations for enhancing network security of your device:

- Change password regularly: Change your device password on a regular basis and keep the password safe. Make sure only the authorized user can log in to the device.
- Enable HTTPS/SSL: Use SSL certificate to encrypt HTTP communications and ensure data security.
- Enable IP address filtering: Allow access only from the specified IP addresses.

- **Minimum port mapping:** Configure your router or firewall to open a minimum set of ports to the WAN and keep only the necessary port mappings. Never set the device as the DMZ host or configure a full cone NAT.
- **Disable the automatic login and save password features:** If multiple users have access to your computer, it is recommended that you disable these features to prevent unauthorized access.
- **Choose username and password discretely:** Avoid using the username and password of your social media, bank, email account, etc, as the username and password of your device, in case your social media, bank and email account information is leaked.
- **Restrict user permissions:** If more than one user needs access to your system, make sure each user is granted only the necessary permissions.
- **Disable UPnP:** When UPnP is enabled, the router will automatically map internal ports, and the system will automatically forward port data, which results in the risks of data leakage. Therefore, it is recommended to disable UPnP if HTTP and TCP port mapping have been enabled manually on your router.
- **SNMP:** Disable SNMP if you do not use it. If you do use it, then SNMPv3 is recommended.
- **Multicast:** Multicast is intended to transmit video to multiple devices. If you do not use this function, it is recommended you disable multicast on your network.
- **Check logs:** Check your device logs regularly to detect unauthorized access or abnormal operations.
- **Physical protection:** Keep the device in a locked room or cabinet to prevent unauthorized physical access.
- **Isolate video surveillance network:** Isolating your video surveillance network with other service networks helps prevent unauthorized access to devices in your security system from other service networks.

Learn More

You may also obtain security information under Security Response Center at Uniview's official website.

## Avvertimento de l'uso de la batteria

- **Lorsque utiliser la batterie, évitez:**
  - Température et pression d'air extrêmement élevées ou basses pendant l'utilisation, le stockage et le transport.
  - Remplacement de la batterie.
- **Utilisez la batterie correctement.** Mauvaise utilisation de la batterie comme celles mentionnées ici, peut entraîner des risques d'incendie, d'explosion ou de fuite liquide de gaz inflammables.
  - Remplacer la batterie par un type incorrect;
  - Disposer d'une batterie dans le feu ou un four chaud, écraser mécaniquement ou couper la batterie;
- **Disposer la batterie utilisée conformément à vos règlements locaux ou aux instructions du fabricant de la batterie.**

## Regulatory Compliance

FCC Statements

This device complies with Part 15 of the FCC Rules. Operation is subject to the following two conditions: (1) this device may not cause harmful interference, and (2) this device must accept any interference received, including interference that may cause undesired operation.

Visit [https://global.uniview.com/Support/Download\\_Center/Product\\_Installation/Declaration/forSDoC](https://global.uniview.com/Support/Download_Center/Product_Installation/Declaration/forSDoC).

Caution: The user is cautioned that changes or modifications not expressly approved by the party responsible for compliance could void the user's authority to operate the equipment.

NOTE: This equipment has been tested and found to comply with the limits for a Class A digital device, pursuant to part 15 of the FCC Rules. These limits are designed to provide reasonable protection against harmful interference when the equipment is operated in a commercial environment. This equipment generates, uses, and can radiate radio frequency energy and, if not installed and used in accordance with the instruction manual, may cause harmful interference to radio communications. Operation of this equipment in a residential area is likely to cause harmful interference in which case the user will be required to correct the interference at his own expense.

This equipment complies with FCC radiation exposure limits set forth for an uncontrolled environment. This equipment should be installed and operated with a minimum distance of 20cm between the radiator and any part of your body.

#### LVD/EMC Directive



This product complies with the European Low Voltage Directive 2014/35/EU and EMC Directive 2014/30/EU.

#### WEEE Directive-2012/19/EU



The product this manual refers to is covered by the Waste Electrical & Electronic Equipment (WEEE) Directive and must be disposed of in a responsible manner.

#### Battery Regulation- (EU) 2023/1542



Battery in the product complies with the European Battery Regulation (EU) 2023/1542. For proper recycling, return the battery to your supplier or to a designated collection point.

# 1. Packing List

Contact your local dealer if the package is damaged or incomplete. The package contents may vary with device model.

No.	Name	Left Pedestal	Middle Pedestal	Right Pedestal	Unit
1	Swing Speed Gate (hereafter referred to as "gate")	1	1	1	Set
2	Control board bridging network cable (white)	0	1	1	PCS
3	Access control board bridging network cable (black)	0	1	1	PCS
4	Bridging power cable (hereinafter referred to as "bridging cable")	0	1	1	PCS
5	Verification terminal power adapter cable (hereafter referred to as "adapter cable")	1	2	1	PCS
6	Access control board & verification terminal signal extension cable (hereafter referred to as "extension cable")	1	2	1	PCS
7	M12*100 expansion bolt	4	4	4	PCS
8	Hex key	0	0	2	PCS
9	Cable terminal kit	1	2	1	Bag
10	Product documents	0	0	1	Set



## NOTE!

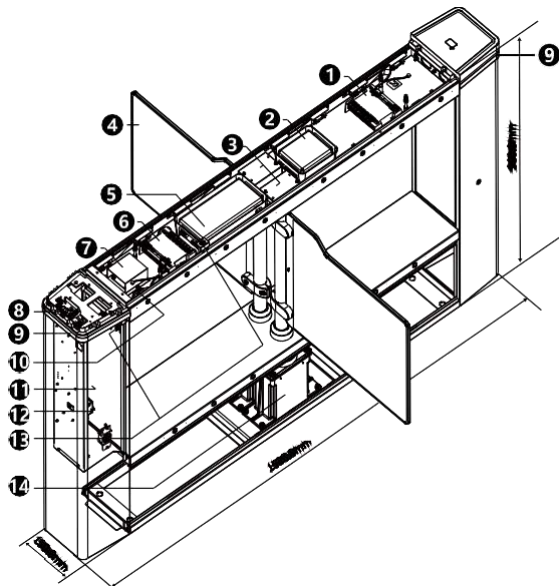
The accessories are stored in the chassis near the door frame.

## 2. Introduction

Dimensions and structures may vary between different models. Please refer to your device.

### 2.1.1 Whole Unit

Taking the middle pedestal as an example, the internal structure after removing the top cover is shown below. Please refer to your device for specifics.



1. Sub access control board	2. Sub control board
3. Photointerrupter	4. #Barrier
5. Main control board	6. Main access control board

7. Supercapacitor board	8. Remote receiver
9. Access indicator <ul style="list-style-type: none"> <li>● Steady green: Normal operation</li> <li>● Flash red: Abnormal condition detected (e.g., unauthorized entry)</li> </ul>	
10. Speaker	11. Power adapter: Not applicable to the left pedestal
12. Air circuit breaker: Not applicable to the left pedestal	13. Tamper prevention switch
14. Motor	-

\* indicates that the component is not included as standard and must be purchased separately. The illustration shows how it looks when installed.

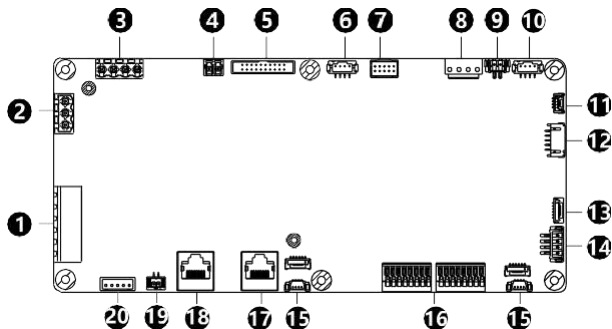
## 2.1.2 Control Board

Control boards include main control board and sub control board.

Control board configuration inside the gate is as follows:

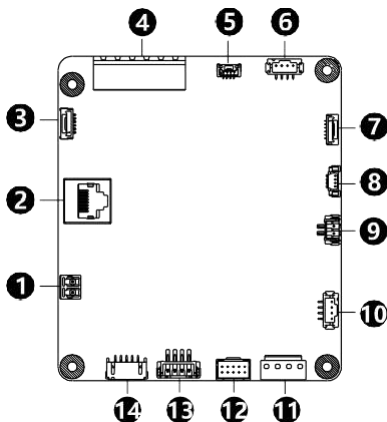
Configuration	Left Pedestal	Middle Pedestal	Right Pedestal
Main Control Board	/	Included	Included
Sub control board	Included	Included	/

## 1 Main Control Board



1. Connects to the RS485 interface on the main access control board From left to right: IO-, IO+, RS485B, RS485A, GND, 12V	
2. Supercapacitor interface	
3. 24V power input interface	4. Bridging power cable interface
5. LCD display module interface (reserved)	6. Access indicator light interface (entrance side)
7. Motor encoder interface	8. Motor interface
9. Clutch interface (reserved)	10. Access indicator light interface (exit side)
11. Upper infrared sensor interface	12. Photointerrupter interface
13. Lower infrared sensor interface	14. Fan interface (reserved)
15. Top: Firmware programming interface; Bottom: Debug interface	16. External terminal block
17. Control board bridging network cable interface	18. Network interface
19. Speaker interface	20. Remote receiver interface

## 2 Sub Control Board

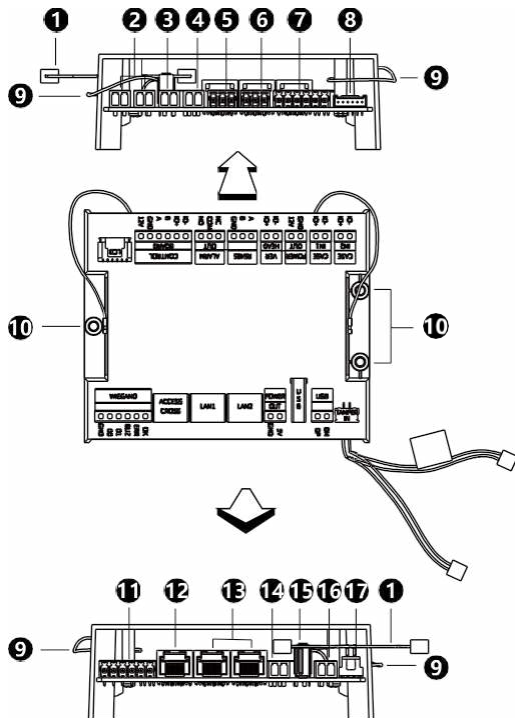


1. Bridging power cable interface	2. Control board bridging network cable interface
3. Firmware programming interface	4. Connects to the RS485 interface on the sub access control board From left to right: IO-, IO+, RS485B, RS485A, GND, 12V
5. Upper infrared sensor interface	6. Access indicator light interface (exit side)
7. Lower infrared sensor interface	8. Debug interface
9. Clutch interface (reserved)	10. Access indicator light interface (entrance side)
11. Motor interface	12. Motor encoder interface
13. Fan interface (reserved)	14. Photointerrupter interface

## 2.1.3 Access Control Board

Access control boards include main access control board and sub access control board.

Compared to the sub access control board, the main access control board has two additional antennas. The rest interfaces are the same.



1	Tamper prevention switch wire
2	Event input interface: connects to an external device such as button, smoke detector, etc.
3	12V power output interface: provides 12V voltage for external devices
4	VER HEAD: connects to verification terminal
5	RS485 interface: connects to the control board to enable keep-open/closed control of the speed gate and alarm reporting.
6	Alarm output interface
7	Control board interface
8	LCD interface (reserved)
9	Antenna: only for the main access control board
10	Mounting interface: used to fix access control board to speed gate
11	Wiegand interface: connects to card reader
12	Access control board bridging network cable interface
13	Network interface
14	5V power output interface: provides 5V voltage for external devices
15	USB interface 1: integrates power supply and signal input
16	USB interface 2: phoenix terminal, separating power supply and signal input functions
17	TEMPER IN: tamper prevention switch interface

### 3. Device Installation

This document uses the installation of a left pedestal, a middle pedestal, and a right pedestal as an example.



#### **WARNING!**

During installation and maintenance, power must be completely disconnected to prevent personal injury and equipment damage.

## 3.1 Installation Preparation

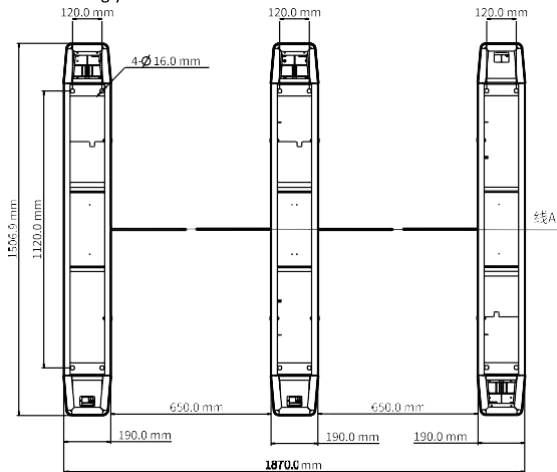
### 1 Site Survey Preparation



#### NOTE!

The installation position parameters provided in this guide are based on the 650 mm lane width. Please determine the actual installation positions based on the lane width of your device. Refer to the values labeled on the packaging for the exact lane width.

1. At the intended installation location, draw two parallel lines along the length direction of the gate, each 1120mm in length and spaced 1870 mm apart. At the center of these two parallel lines, draw a perpendicular line labeled Line A.
2. Using Line A as the reference, determine the mounting hole positions and slot locations according to the figure below (slots are only required at the bottom of the gate for embedding bridging cables and network cables).  
Recommended slot depth: 90–120 mm; recommended slot width: 80–100 mm.  
Lane widths may vary depending on different installation scenarios; please adjust accordingly based on actual conditions.



3. Embed conduit pipes into the slotted areas. Requirements:
  - Outer diameter: 40 mm × wall thickness: 2 mm; material: PVC.
  - To ensure good heat dissipation and easy cable routing, the cross-sectional area of the cables in the PVC pipe must not exceed half of the internal cross-sectional area of the PVC pipe.

## 2 Installation Tools

- Marker pen
  - Electric drill
  - Network cables
  - ESD wrist strap/gloves
  - Tape measure
  - Hammer
  - Cutter
  - Precision electronics repair kit
  - Phillips screwdriver
- 



### NOTE!

The M12\*100 expansion bolts are only suitable for concrete floors. For other types of floors, you need to prepare the matching expansion bolts. The length of the expansion bolt should not be less than 120mm, 150mm is recommended.

---

## 3.2 Install Barriers

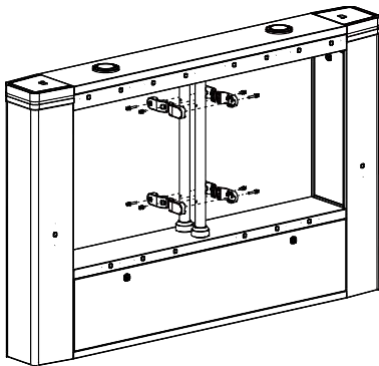
---



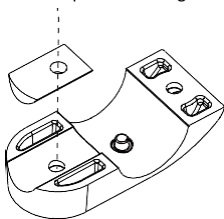
### NOTE!

- Swing barriers must be purchased separately. Please consult your local dealer for specific models.
  - The left pedestal and right pedestal each have one post, while the middle pedestal has two posts. One barrier is installed on each post.
- 

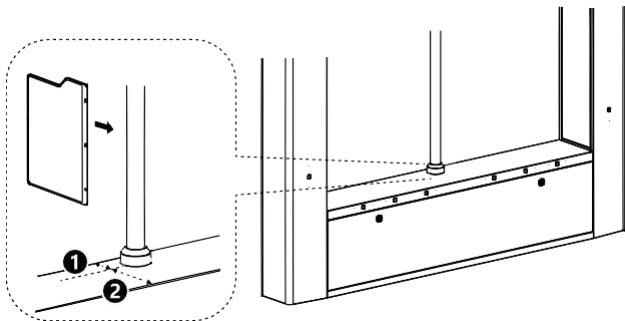
1. Use a wrench to remove all screws securing the clamps to separate the clamps from the posts (the figure below shows a middle pedestal).



2. If the barriers are made of acrylic, rubber grommets must be attached to all clamps.  
Place the grommet and the clamp in the direction as illustrated, align the holes, then press them together.



3. Confirm the orientation and position of the barrier relative to the post.
- (1) Install the barrier on the side of the post that is closer to the pedestal edge.  
(As illustrated: ① and ② indicate the distances from the post to the pedestal edge; since ① is shorter than ②, install the barrier as indicated by the arrow.)



- (2) Place the perforated side of either barrier against the post. It is recommended that the barrier be horizontally centered on the post.



**CAUTION!**

If the barrier is made of acrylic, the round mounting hole must be positioned at the bottom.

4. Secure the barrier to the clamps.



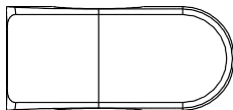
**NOTE!**

The clamp has one curved (arc-shaped) side and one approximately rectangular side. There are two types: with holes and without holes.

Clamp with Holes



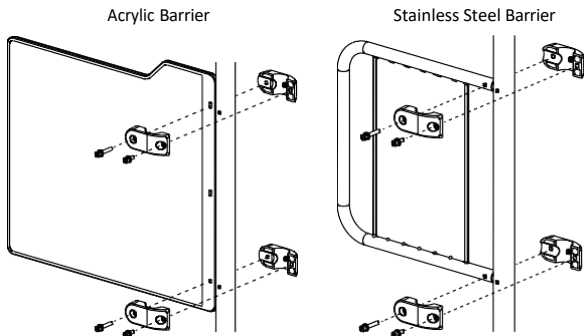
Clamp without Holes



- (1) Take one clamp with holes, align the holes on its curved side with the top mounting holes of the barrier. Then take one clamp without holes, orient its curved side toward the barrier's mounting holes as well, and snap it over

from the opposite side of the barrier. Secure both clamps together using long screws.

- (2) Use short screws to fasten the other hole of each clamp.
- (3) Repeat the above two steps to secure another pair of clamps to the bottom mounting holes of the barrier.



5. When installing a middle pedestal, refer to the previous two steps to complete installation of another barrier.

### 3.3 Secure the Gate

---

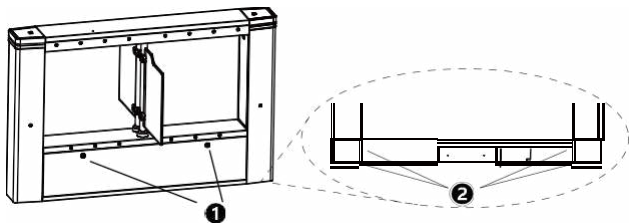


#### CAUTION!

Do not shake or invert the device during installation.

---

1. Drill holes at the designated mounting locations and pre-install expansion anchors.
2. Use the key to unlock the bottom maintenance lock ① to expose the mounting holes ② for the expansion screws.



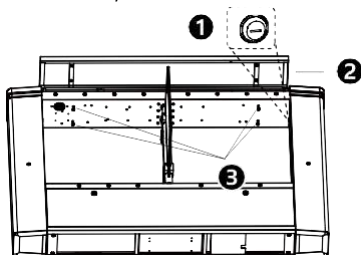
3. Align the four mounting holes at the bottom of the pedestal with the pre-installed expansion anchors and place the pedestal flat on the ground.
4. Insert the expansion bolts into the mounting holes and hammer them in to securely fasten the gate to the installation surface.
5. Tighten the bottom maintenance lock to complete the fixation.

## 3.4 Wiring

### 1 Installation Preparation

Before wiring, ensure the same preparation steps are completed for each speed gate unit.

1. Use the hex key to remove the four disassembly screws (3) from each gate and remove the top cover (2).
2. Use the key to unlock the side maintenance lock (1).

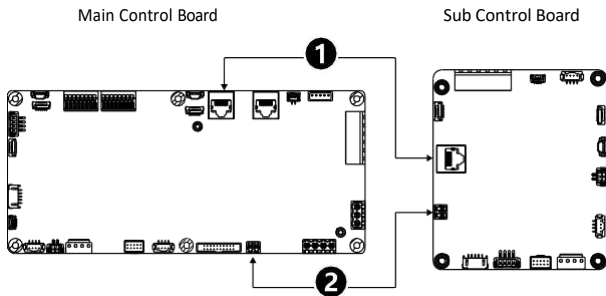


3. Pre-embed the bridging cables and bridging network cables according to the designated routing, and feed them out through the cable outlet on the side of the gate.
4. After completing the wiring, relock the side maintenance lock and secure the top cover.

## 2 Control Board Wiring

1. Use two bridging cables ② to connect the main control board of the right pedestal to the sub control board of the middle pedestal, and connect the main control board of the middle pedestal to the sub control board of the left pedestal.
2. Use two control board bridging network cables ① (white) to connect the main control board of the right pedestal to the sub control board of the middle pedestal, and connect the main control board of the middle pedestal to the sub control board of the left pedestal.

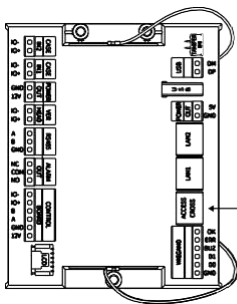
Refer to the diagram for the location of the interfaces.



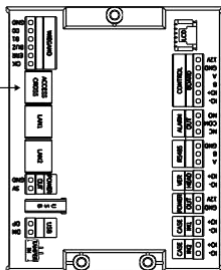
## 3 Access Control Board Wiring

1. Use two access control board bridging network cables (black) to connect the main access control board of the right pedestal to the sub access control board of the middle pedestal, and connect the main access control board of the middle pedestal to the sub access control board of the left pedestal.

Main Access Control Board



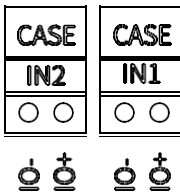
Sub Access Control Board



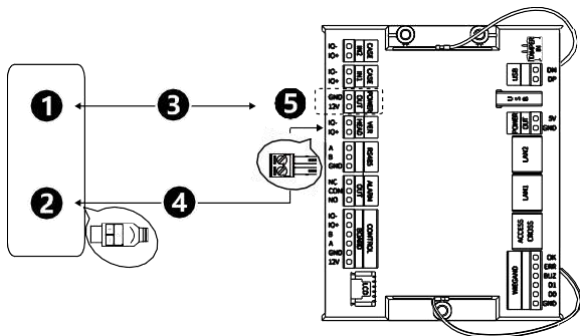
2. (Optional) Connect external devices to the main/sub access control board of the gate as required by the site conditions.

- Event input devices: for example, push button, smoke detector, etc.

Connect the device cables to the CASE IN1/CASE IN2 interface on the corresponding access control board.



- Connect the verification terminal (the illustration uses the main access control board as an example; the same applies to the sub access control board).
  - (1) Connect one end of the adapter cable ④ to the VER HEAD interface on the access control board, and the other end to the IO+ and IO- terminals ② on the verification terminal.
  - (2) Connect the round plug end of the extension cable ③ to the power interface ① of the verification terminal, and connect the 2-pin end to the 12V power output interface ⑤ on the access control board.



- Other external devices: Connect according to your requirements. For detailed interface descriptions, please refer to 2.1.3 Access Control Board.

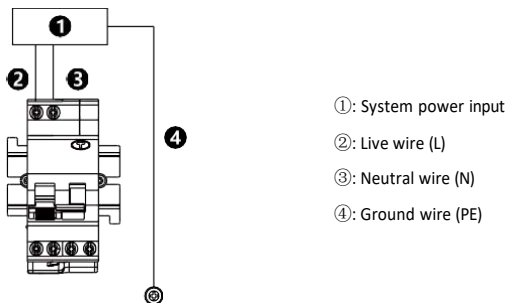
#### 4 Circuit Breaker Wiring

Both the right pedestal and the middle pedestal must have their circuit breaker cables connected.



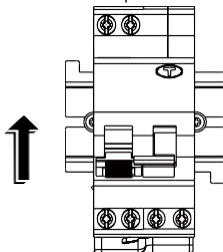
#### CAUTION!

- The input voltage must be stable and support either AC 110V or AC 220V at 50Hz.
- When wiring, connect L to L and N to N—do not reverse the connections.
- Ensure no bare wire ends are exposed; all connection points must be properly insulated with secure insulation wrapping.



## 4. Startup

1. After completing installation and wiring, power on the gate and toggle the circuit breaker in the direction shown in the diagram.  
The barriers will open and close once, the access indicator light will turn green, and the buzzer will sound.
2. Install the top cover of the gate and securely tighten it with the key.



## 5. Web Login

Default IP address:  
192.168.1.13  
Default  
username/password:  
admin / 123456

Note:

For security, please set a strong password of at least nine characters including uppercase and lowercase letters, digits, and special characters. You are strongly recommended to regularly change the device password and keep it secure to ensure that only authorized users can log in.

## 6. Remote Control Operations

### 6.1 Remote Control Pairing

Before using the remote control, it must be paired with the receiver. One remote control can be paired with up to 32 receivers.

1. Press and hold the Learn button ① on the receiver. Release the button after the receiver's indicator light flashes once—entering pairing mode.

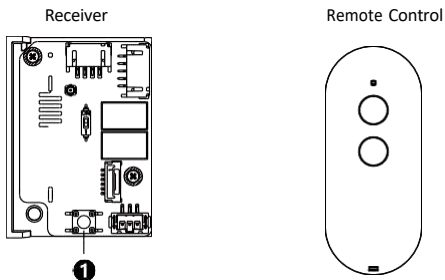


#### **NOTE!**

If multiple receivers are simultaneously in pairing mode, a single remote control can pair with all of them at the same time.

---

2. Press and hold both buttons on the remote control simultaneously. When the receiver's indicator light rapidly flashes 5 times, it means pairing is complete and the receiver exits the pairing mode.
3. To pair additional remote controls or receivers, repeat steps 1 and 2.



## 6.2 Restore Factory Defaults

Press and hold the Learn button on the receiver until the indicator light flashes rapidly twice, then release the button. This indicates that the receiver has been restored to factory settings and all previously stored pairing information has been deleted. Previously paired remote controls will no longer function.

---



### **CAUTION!**

If the remote control and receiver were pre-paired before shipment, do not restore factory defaults.

---

# Better Security, Better World

 [www.uniview.com](http://www.uniview.com)

 [globalsupport@uniview.com](mailto:globalsupport@uniview.com)