



Meaningful Innovation.

WEEE Number: 80133970

INSTRUCTION MANUAL

100W LED DRIVER 100W 185-265V

TECHNICAL DATA

SKU	10272
UNIT COLOR	Black
DESCRIPTION	100W LED DRIVER 100W 185-265V FOR MAGNET- IC TRACK LIGHT



INTRODUCTION & WARRANTY

Thank you for selecting and buying V-TAC product. V-TAC will serve you the best. Please read these instructions carefully before starting the installation and keep this manual handy for future reference. If you have any another query, please contact our dealer or local vendor from whom you have purchased the product. They are trained and ready to serve you at the best.

WARNING

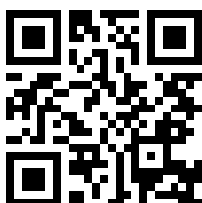
1. Please make sure to turn off the power before starting the installation.
2. For Indoor Use only



This marking indicates that this product should not be disposed of with other household wastes.



Caution, Risk of electric shock



MULTI-LANGUAGE MANUAL QR CODE

Please scan the QR code to access the manual in multiple languages.



FR

Cet appareil,
ses accessoires
et cordons
se recyclent

À DÉPOSER
EN MAGASIN



À DÉPOSER
EN DÉCHÈTERIE



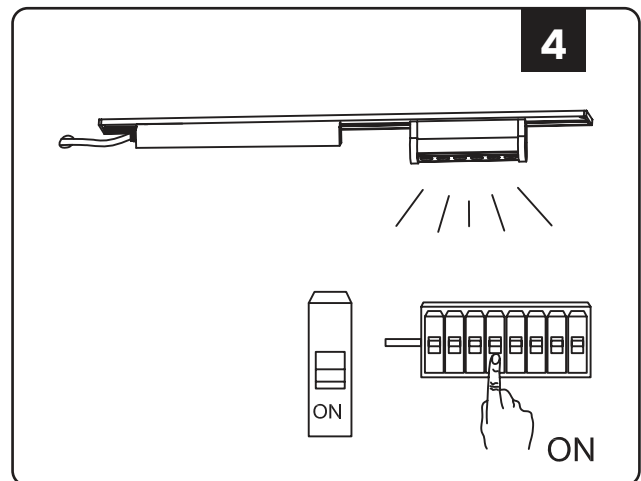
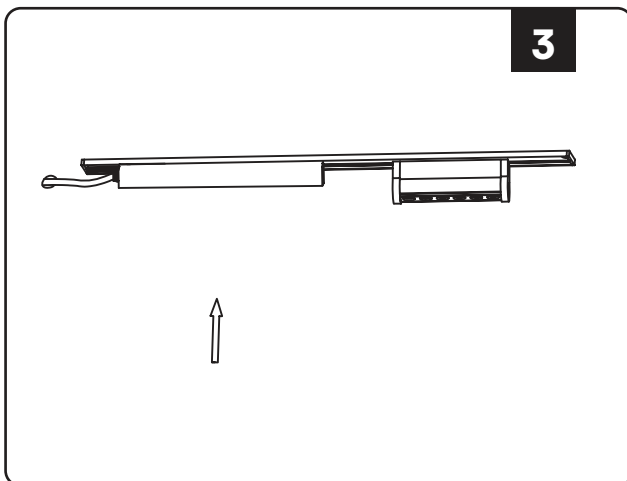
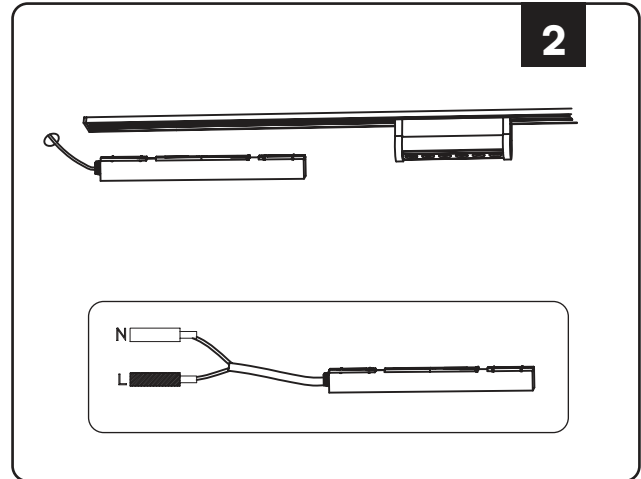
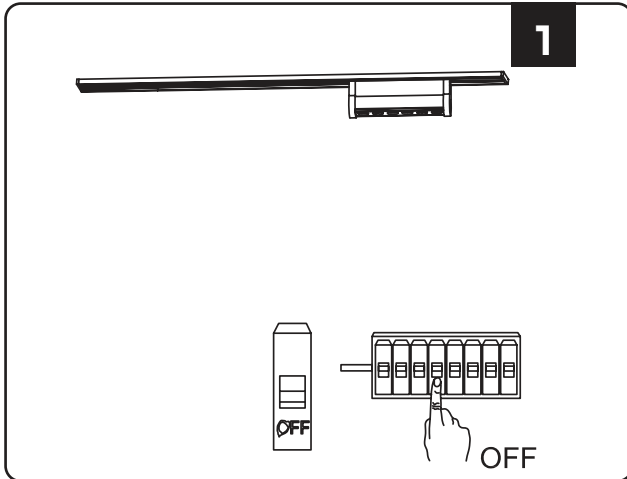
OU

Points de collecte sur www.quefairedemesdechets.fr
Privilégiez la réparation ou le don de votre appareil !

In case of any query/issue with the product, please reach out to us at: support@v-tac.eu
For More products range, inquiry please contact our distributor or nearest dealers.
V-TAC EUROPE LTD. Bulgaria, Plovdiv 4000, bul.L.Karavelow 9B

INSTALLATION INSTRUCTIONS

1. Switch off the power.
2. Connect the drive power supply to the utility . (185-265V)
3. Install the drive into the guide rail groove .
4. Switch on the power if above steps done properly without any mistakes.



RoHS



UK
CA

