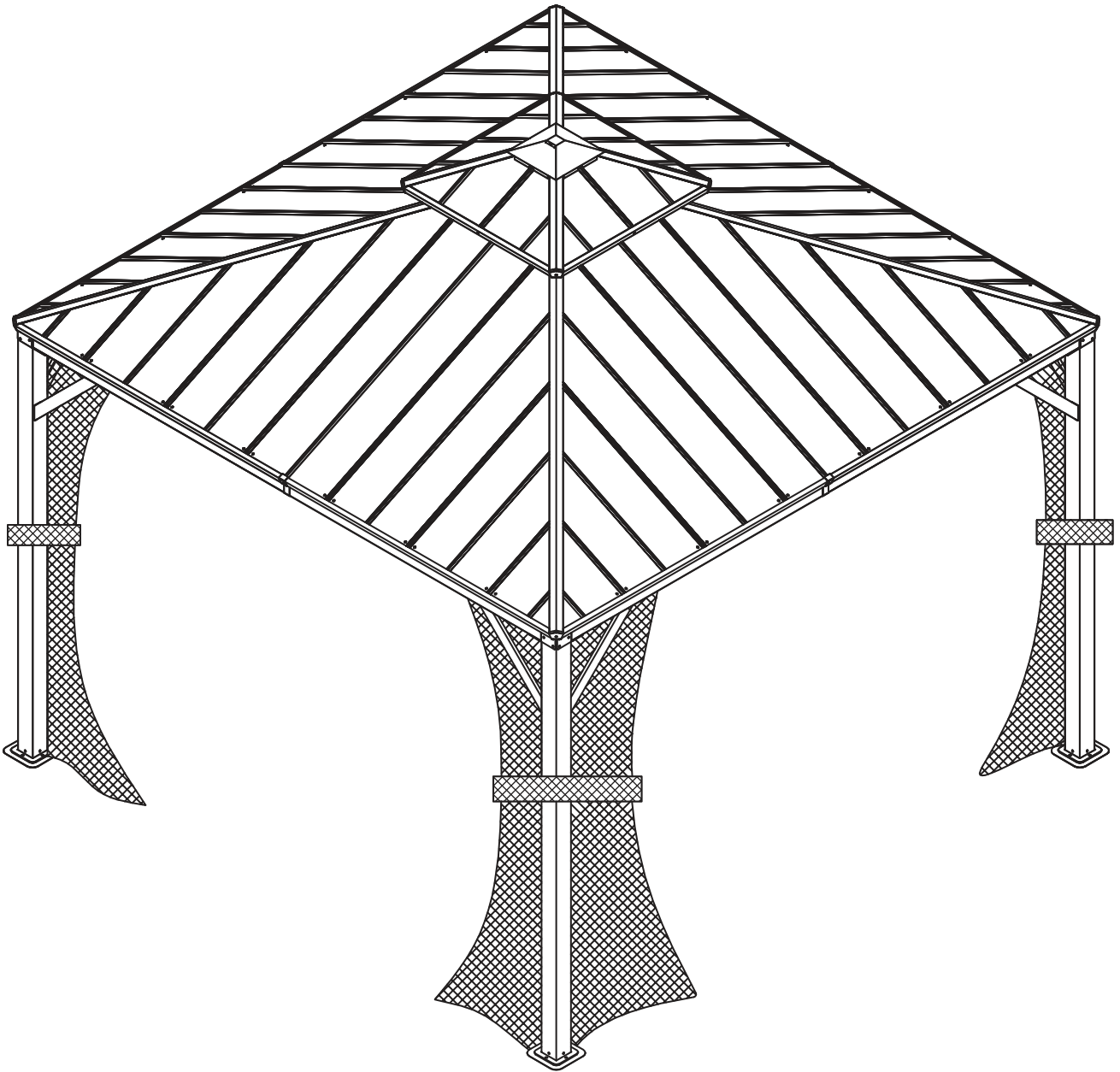




VEIKOUS



www.veikous.com



customerservice@veikous.com

STOP

**MISSING A PART?
CALL US BEFORE GOING
BACK TO THE STORE**

The store where you made your purchase
Does not stock parts for this item.

If you have assembly questions or you are missing or
have damaged parts, please call

1-858-324-1911

(Mon - Sun, 10:00 am to 7:00 pm EST)

you can also e-mail customerservice@veikous.com

or visit www.veikous.com

Please prefer email contact. Due to busy lines,
there may be a wait for calls to be answered.

**Please have the following information ready when you contact us,
so we can assist you promptly.**

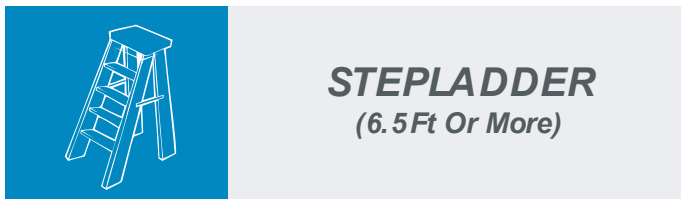
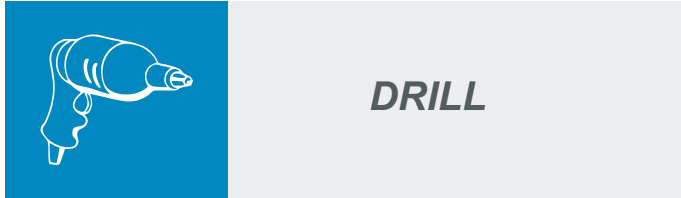
- Order number or PO number (you can find the info on your invoice, receipt or platform account).
- The model number of the product (printed on the package box).
- Description of the part from the parts list.

-
- Read entire assembly manual, paying special attention to the important tips and safety information .
 - Ensure there are no missing pieces by first separating and identifying all parts.
 - Make sure to check packing material for small parts that may have fallen out during shipment.
 - Structures are not intended for public use. The Company does not warranty any of its residential structures subjected to commercial use such as: Daycare, Preschool, Nursery School, Recreational Park, or any similar Commercial Application.
 - This manual contains helpful information concerning assembly preparation, installation procedure and required maintenance.
 - Always keep safety in mind as your structure is being built.
 - Keep these instructions for future reference.

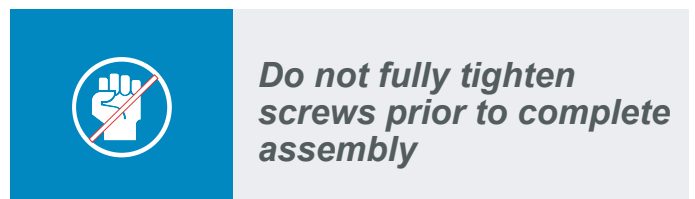
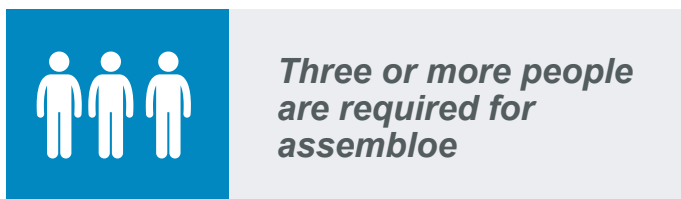
TOOLS REQUIRED

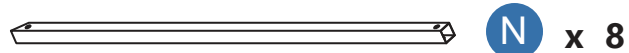
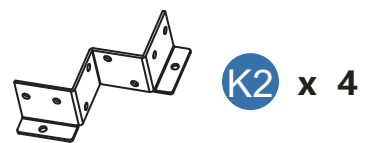
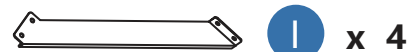
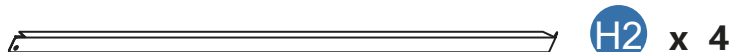
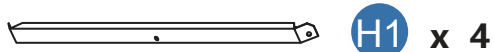
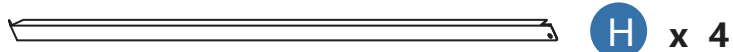
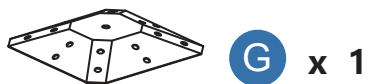
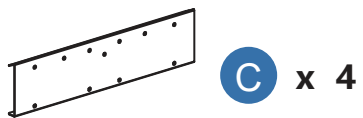
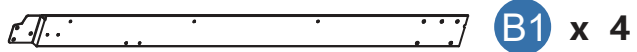
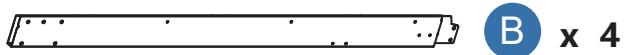
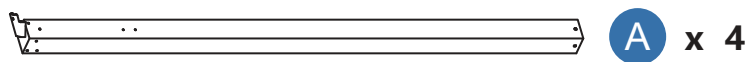
EQUIPMENT REQUIREED(Not included in boxes)

**NOTE:Tools / equip ment are not shown to actual size and scale.*




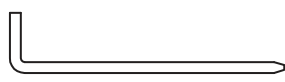
Matters needing attention






 **V** x 16

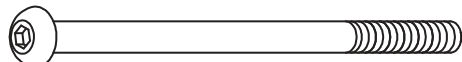
 **V1** x 1

 **V2** x 16

 **V3** x 16(+2)

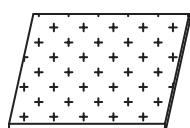
M6x15
 **U** x 272(+10)

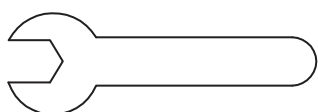
St4.8x12
 **U1** x 16(+4)

M6x137
 **U2** x 8(+2)

M6x12
 **U3** x 72(+5)

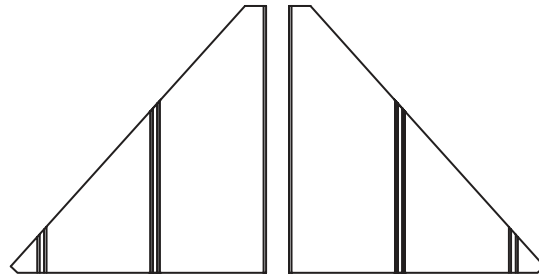
M6x23
 **U4** x 8(+2)

 **Net** x 4



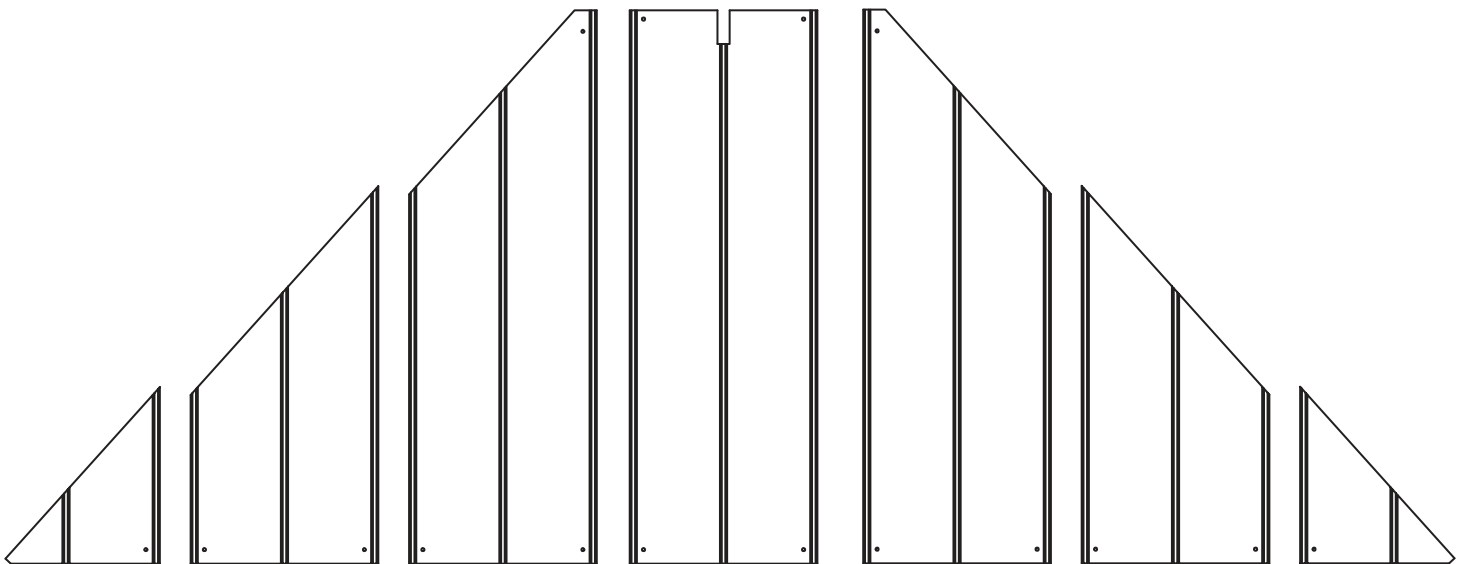
 **S4(10CM)**
 **S4**

 **x 2**



P x4

P1 x4



O x4

O1 x4

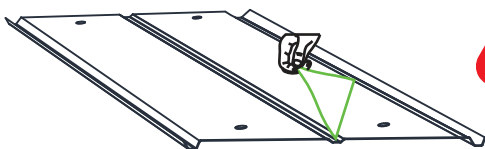
O2 x4

O3 x4

O4 x4

O5 x4

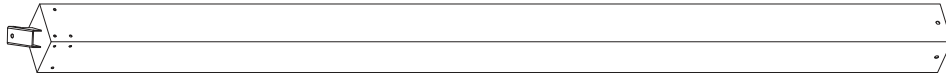
O6 x4



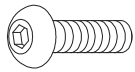
Remove the protective film

Place metal sheet with the the protective film down and uncoated side up towards the sun.

1



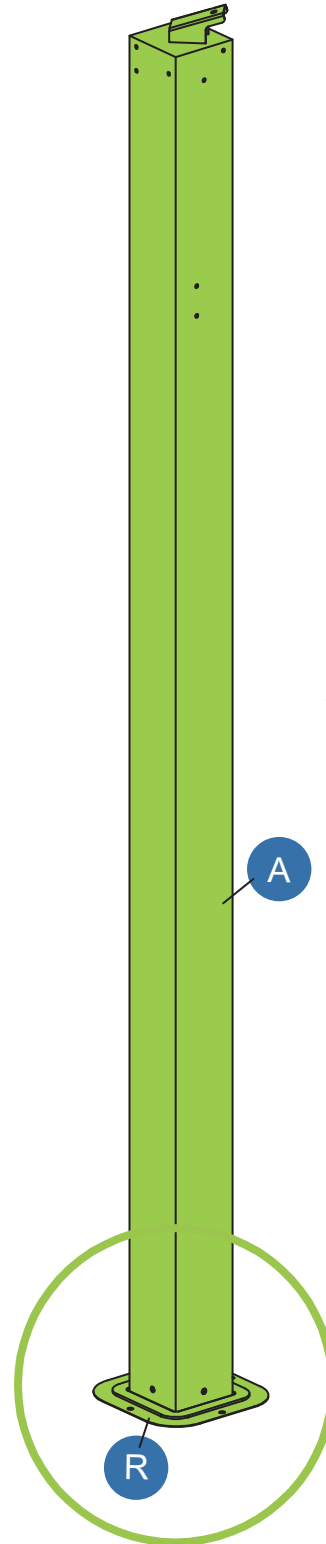
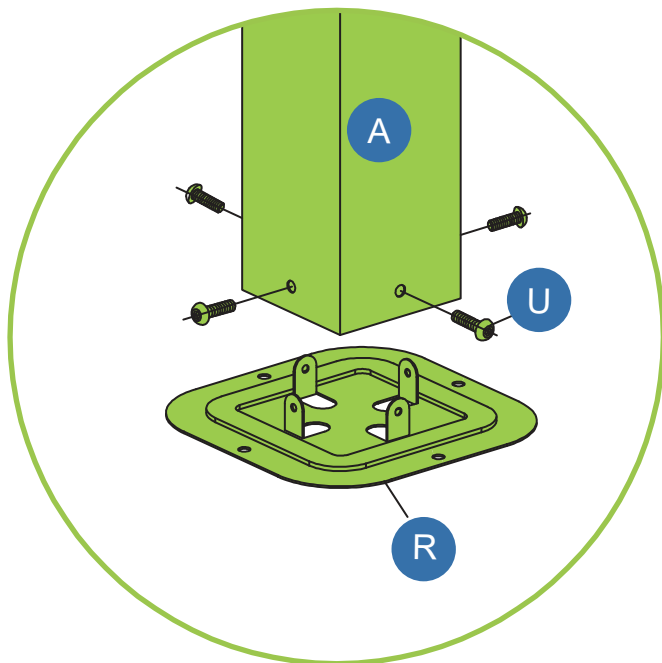
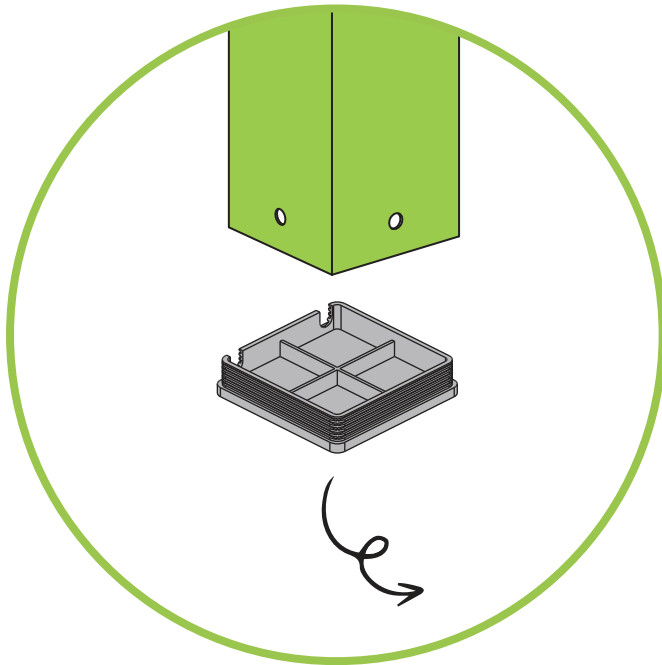
A x 4



U x 16

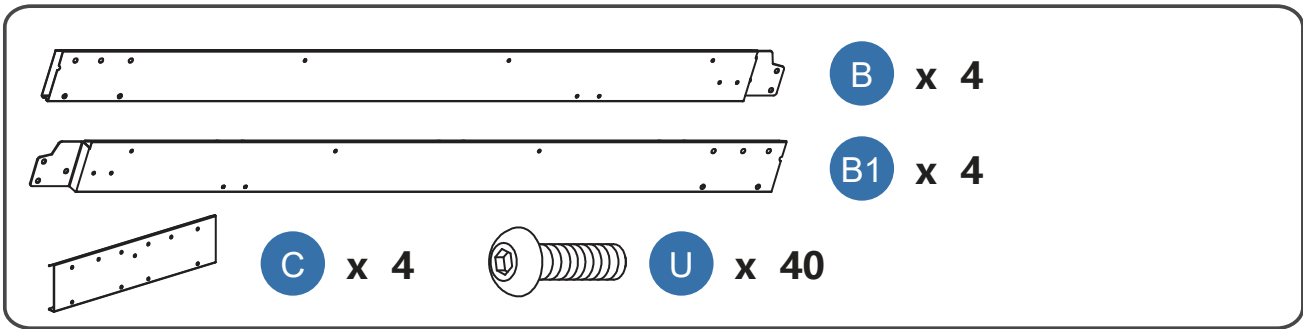


R x 4



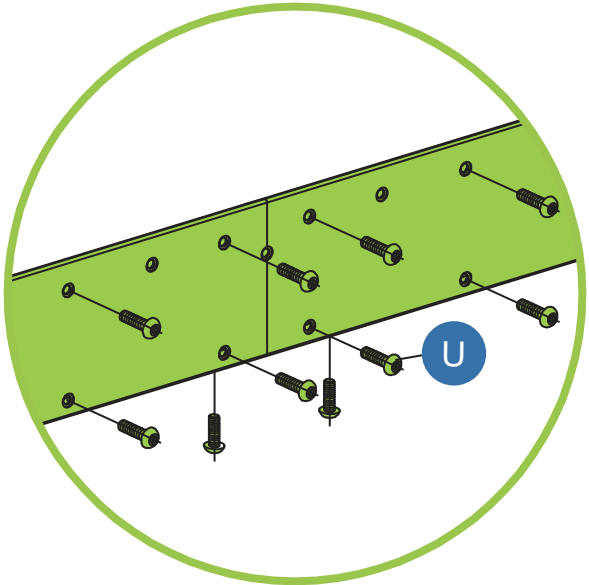
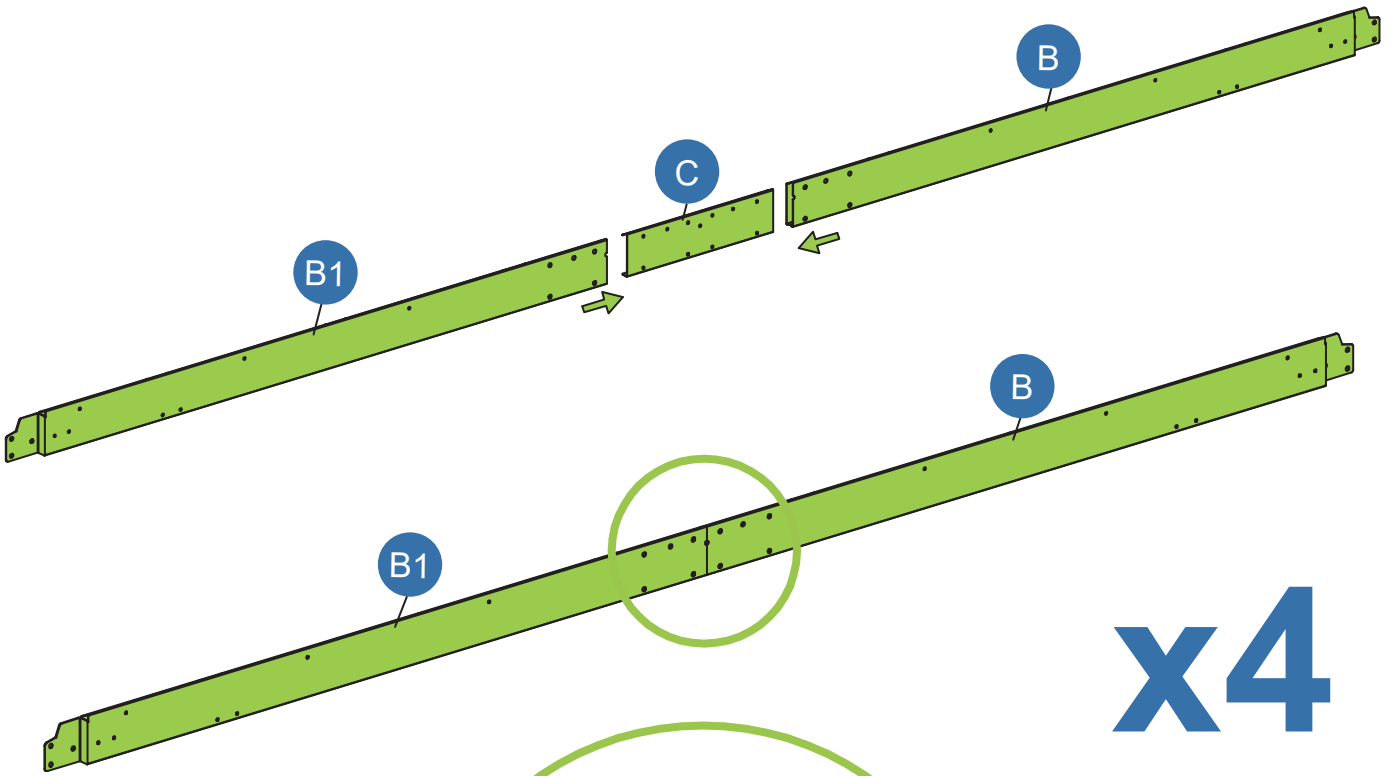
Attach part "R" to the bottom of part "A", and secure each with four "U" screws.
Note: Remove the plug at the bottom of part A before assembly. Repeat the above steps to connect the remaining.

2



Parts list for step 2:

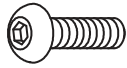
- Part B x 4
- Part B1 x 4
- Part C x 4
- Part U x 40



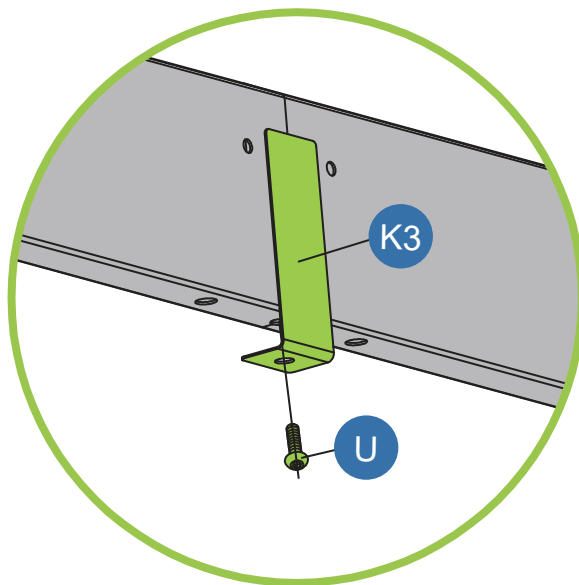
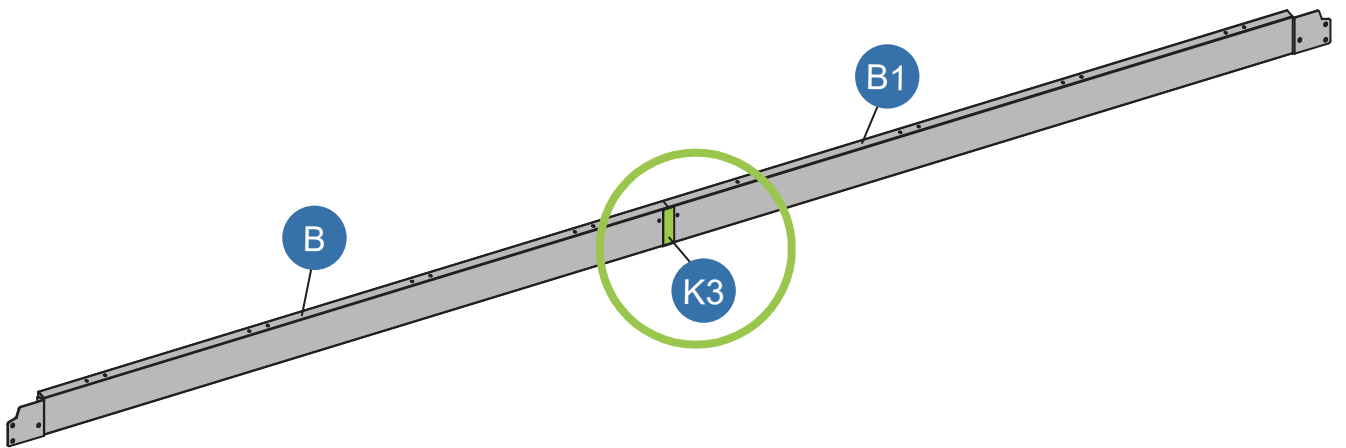
3



K3 x 4



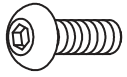
U x 4



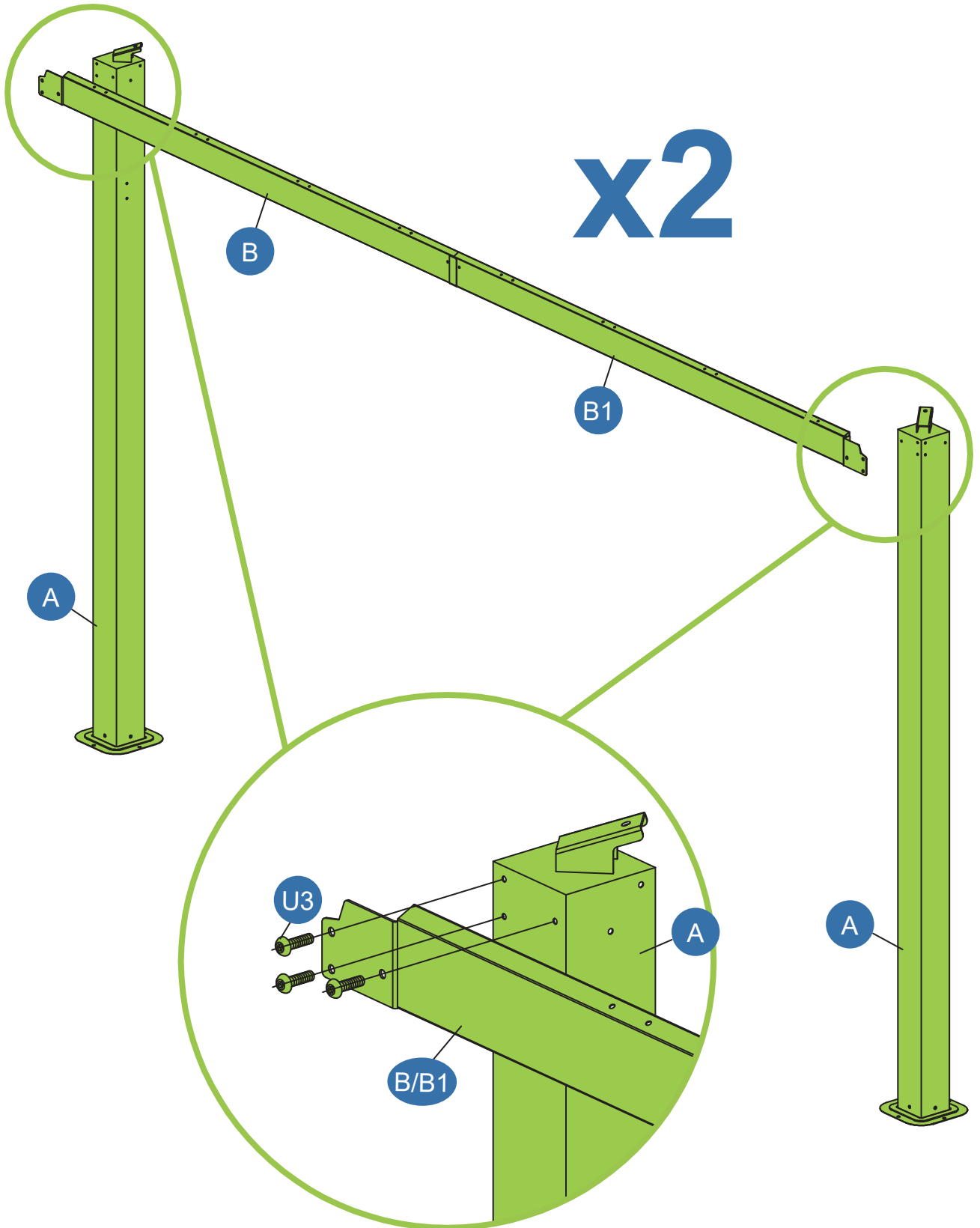
x4

As shown in the diagram, install K3 at the assembled seam between B1-B assembled in Steps 2 , and secure it with 1 "U" screws.
Note: Please ensure all screw holes are properly aligned before installation.
Repeat the above steps for the remaining sections.

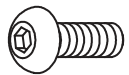
4



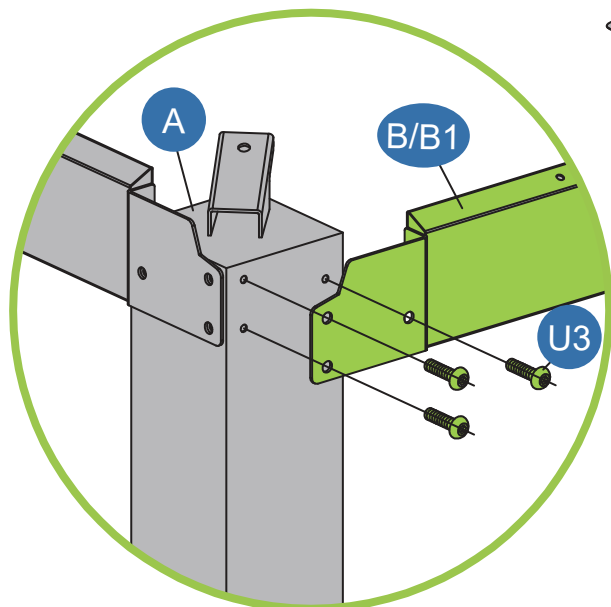
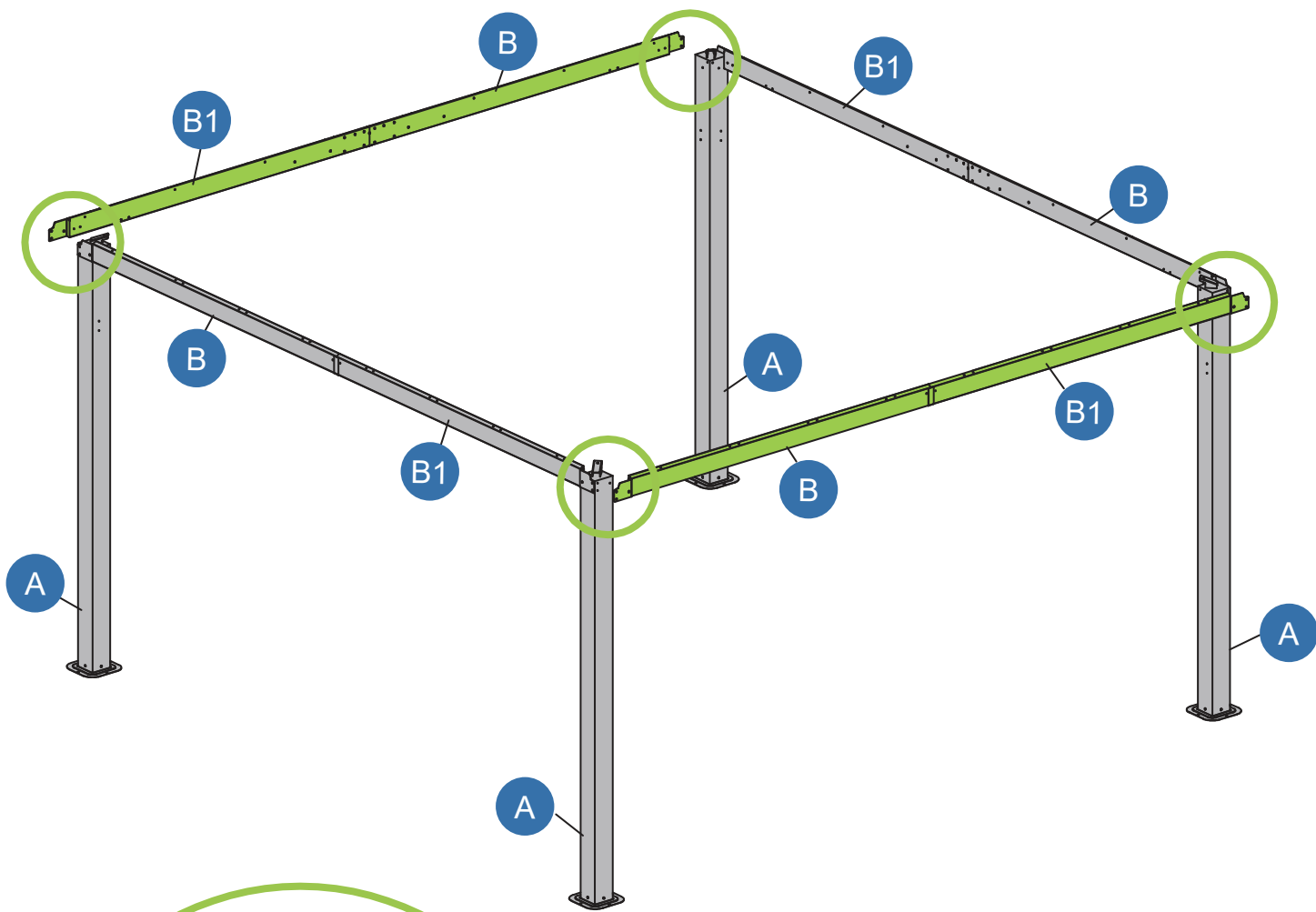
U3 x 12



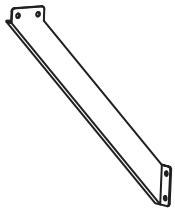
5



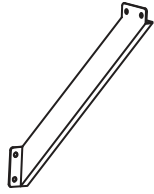
U3 x 12



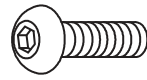
6



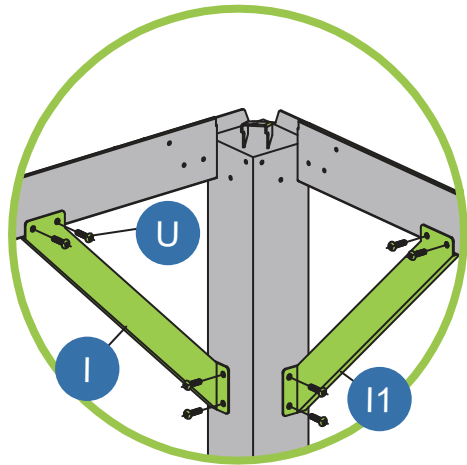
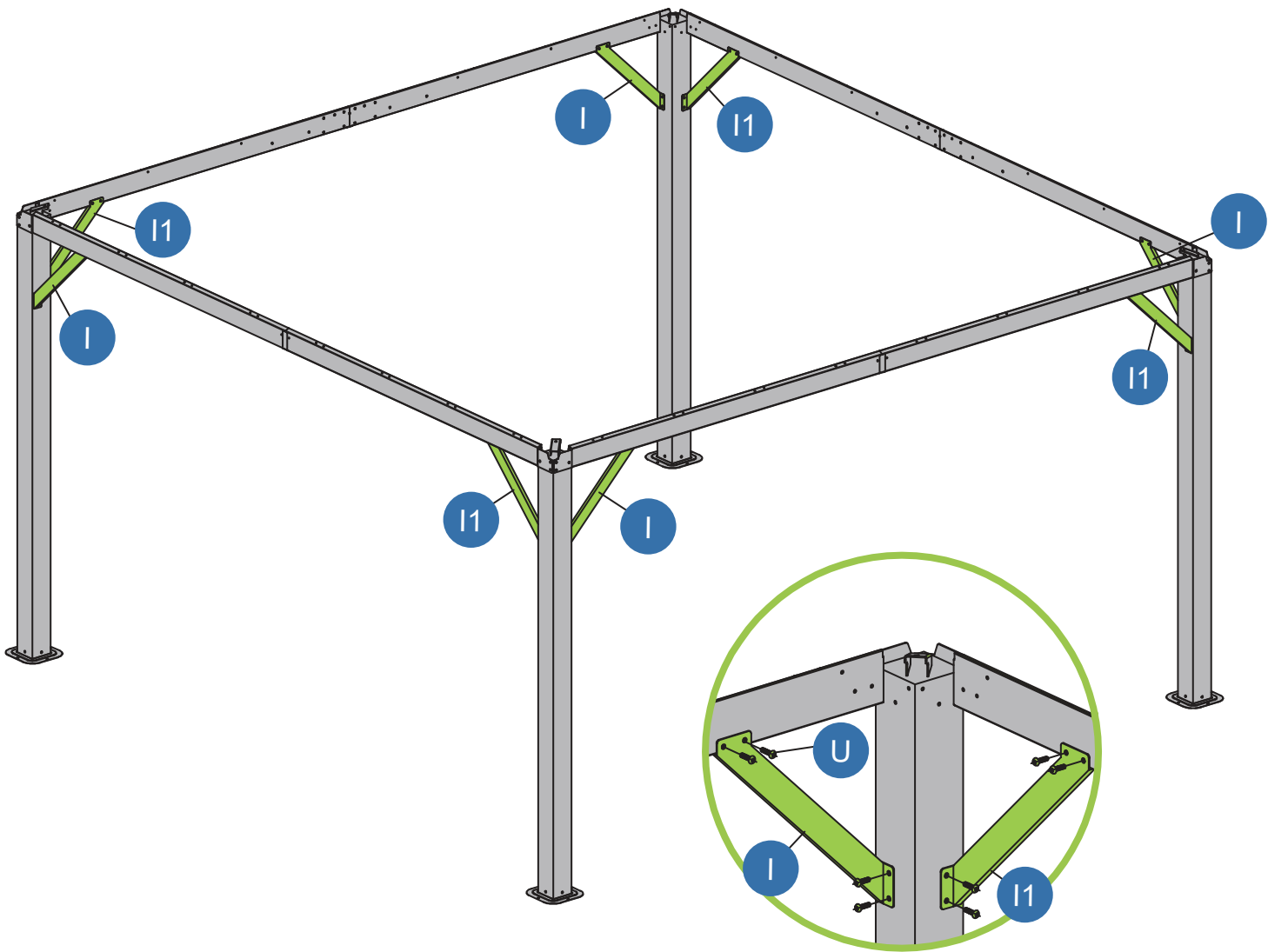
I x 4



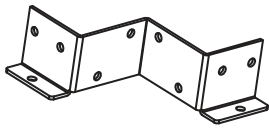
I1 x 4



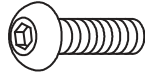
U x 32



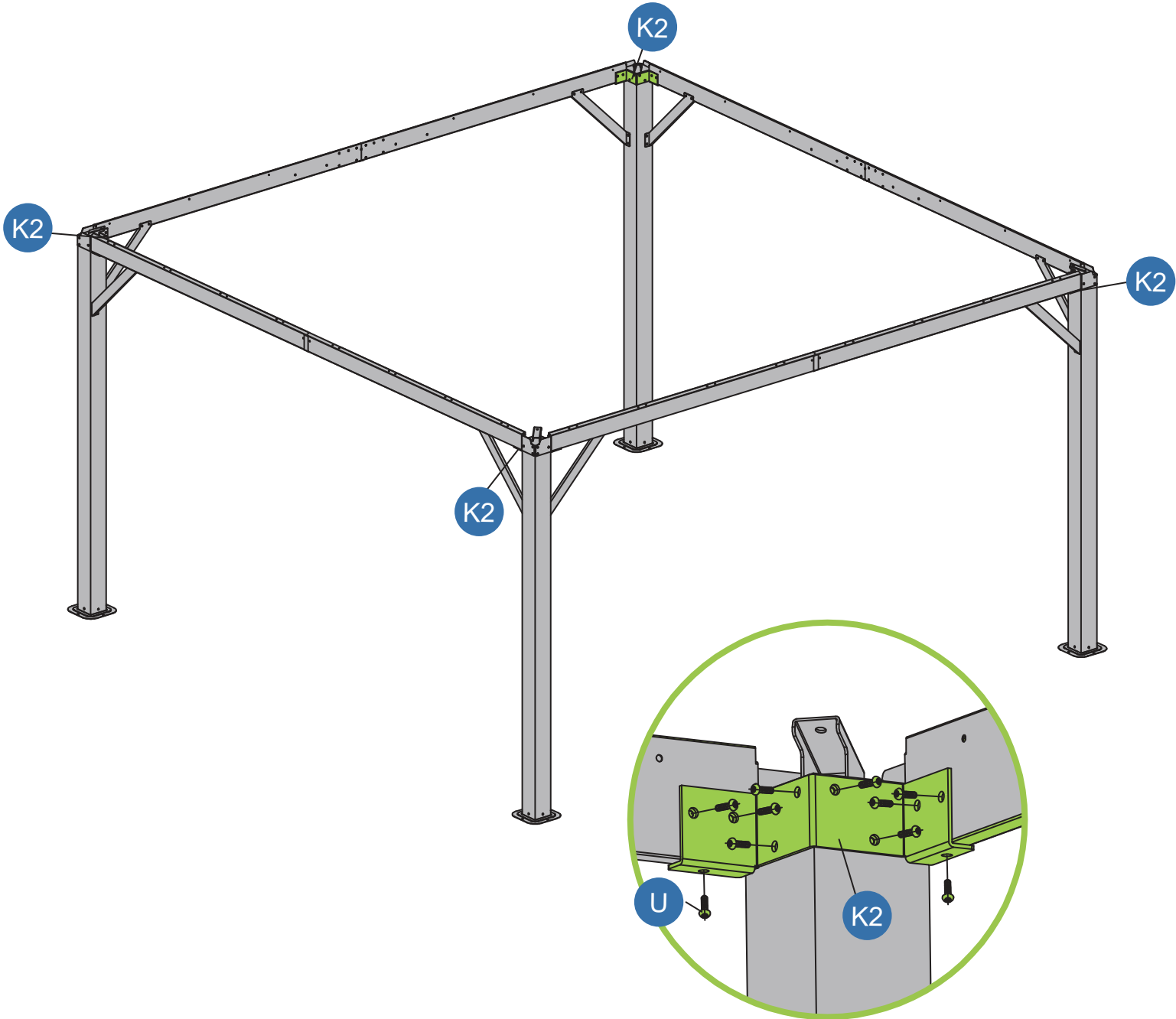
7



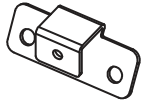
K2 x 4



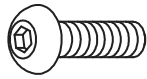
U x 40



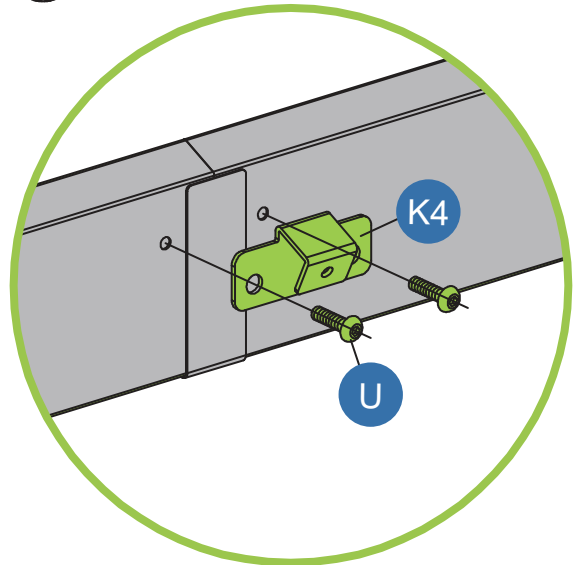
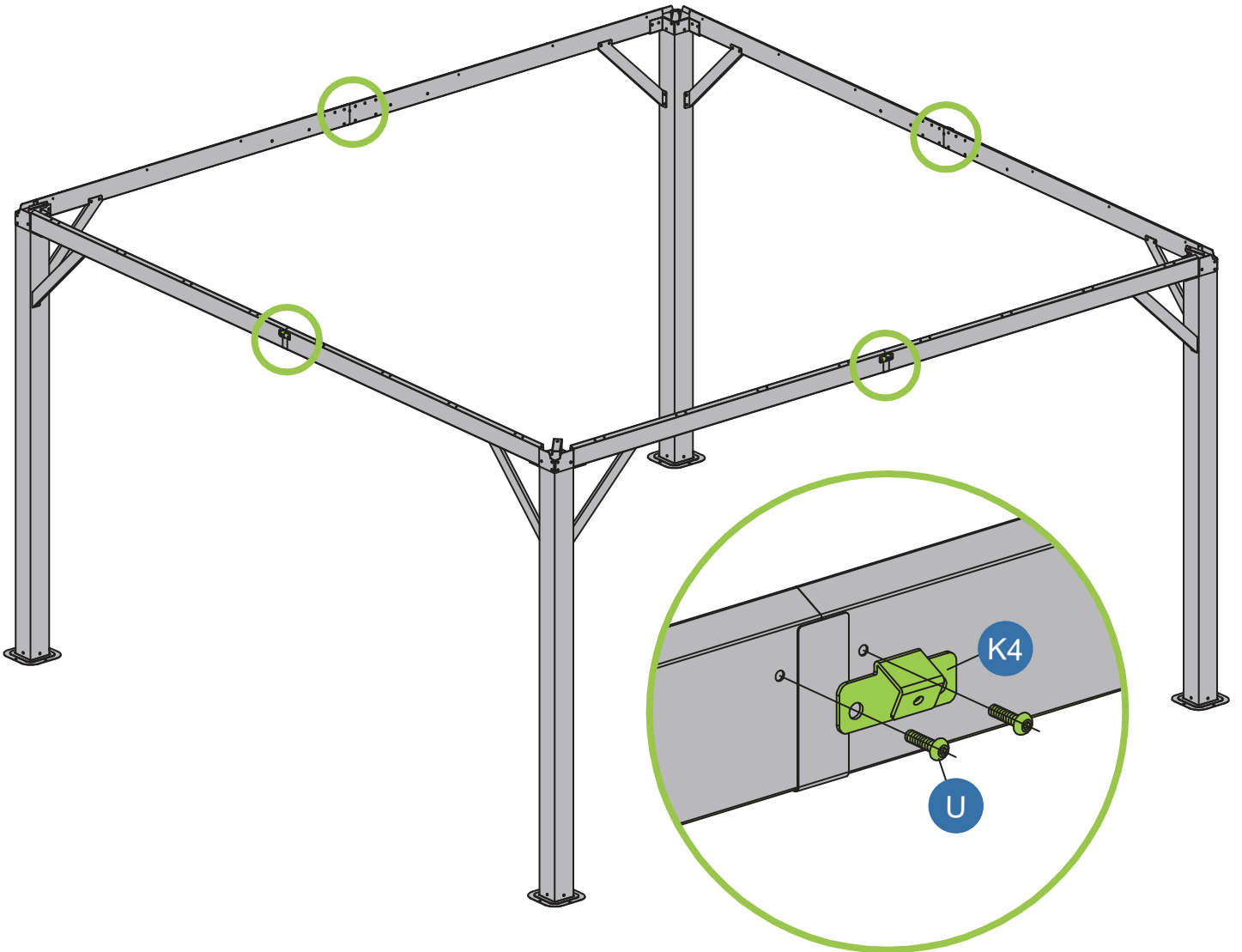
8



K4 x 4



U x 8



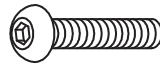
9



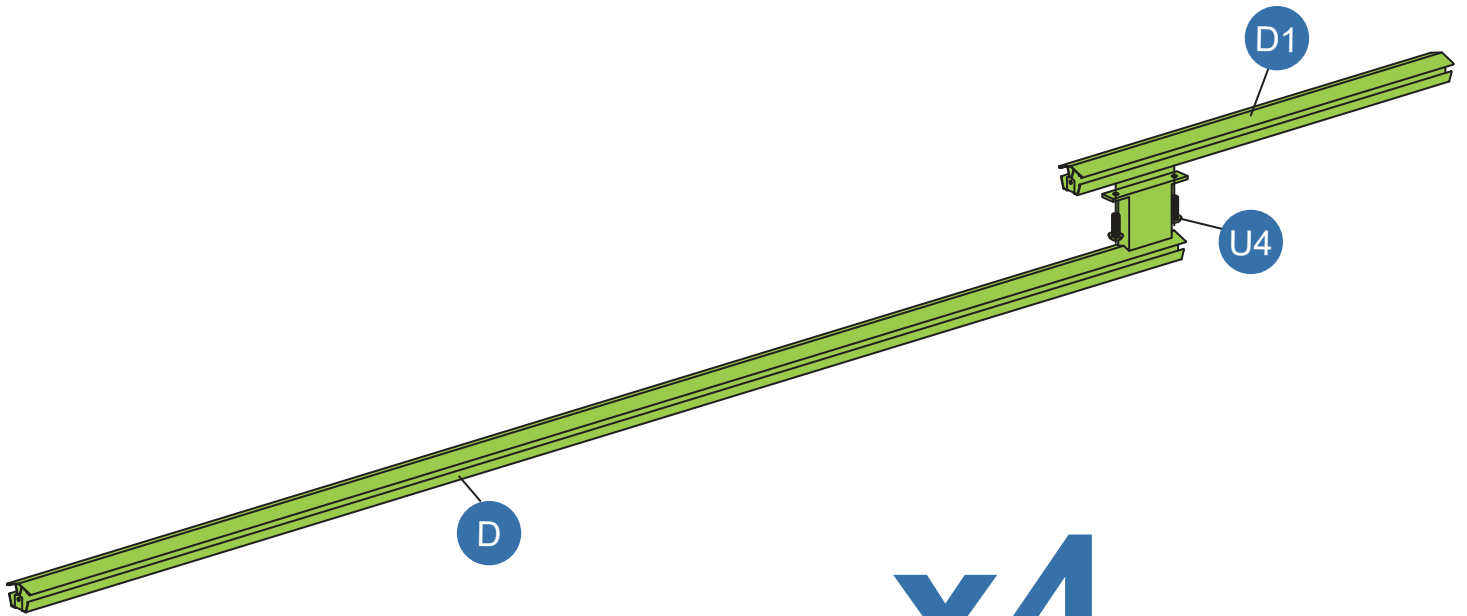
D x 4



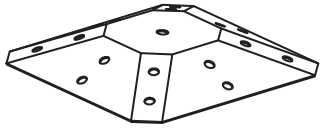
D1 x 4



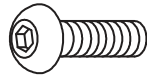
U4 x 8



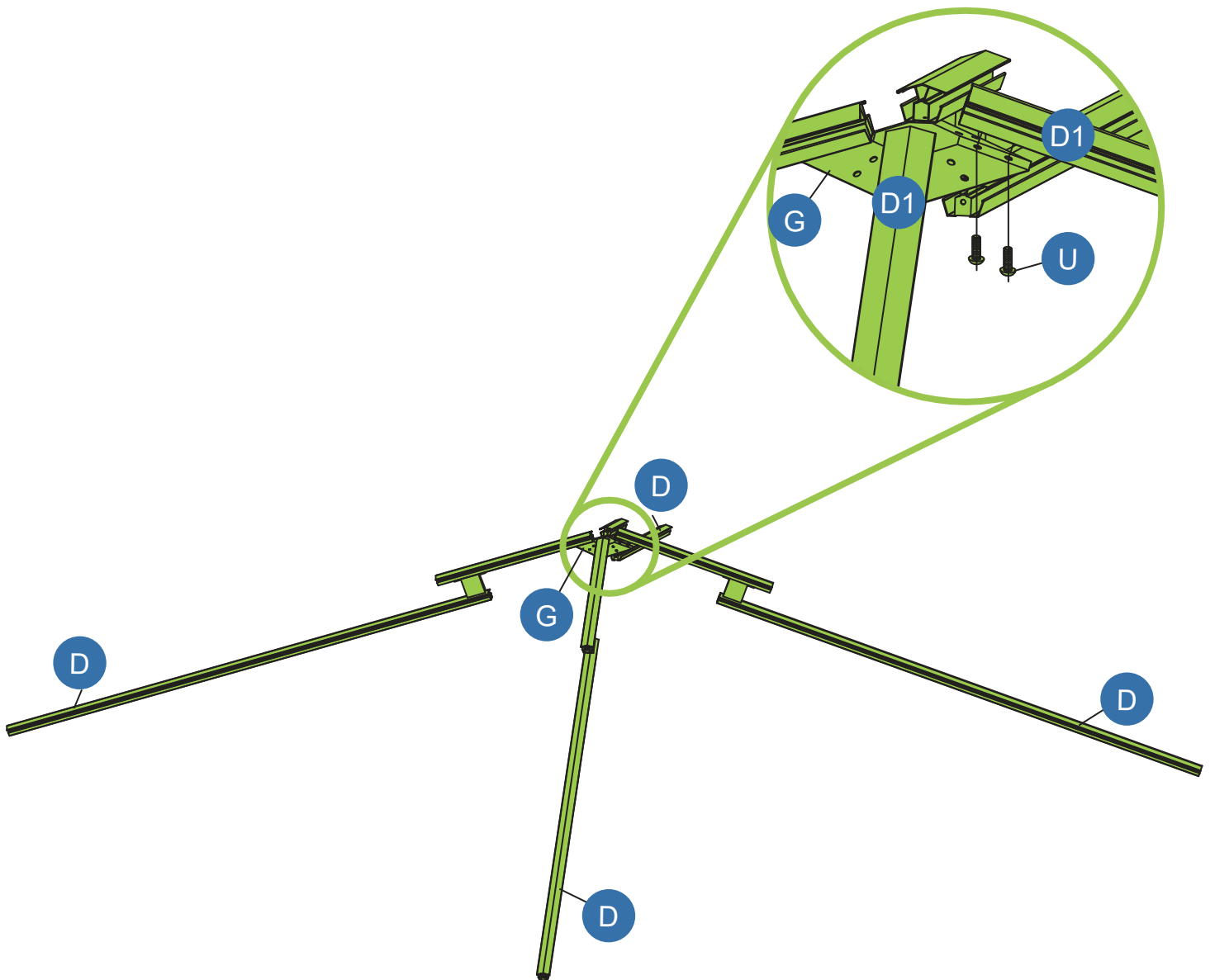
x4



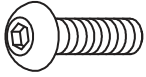
G x 1



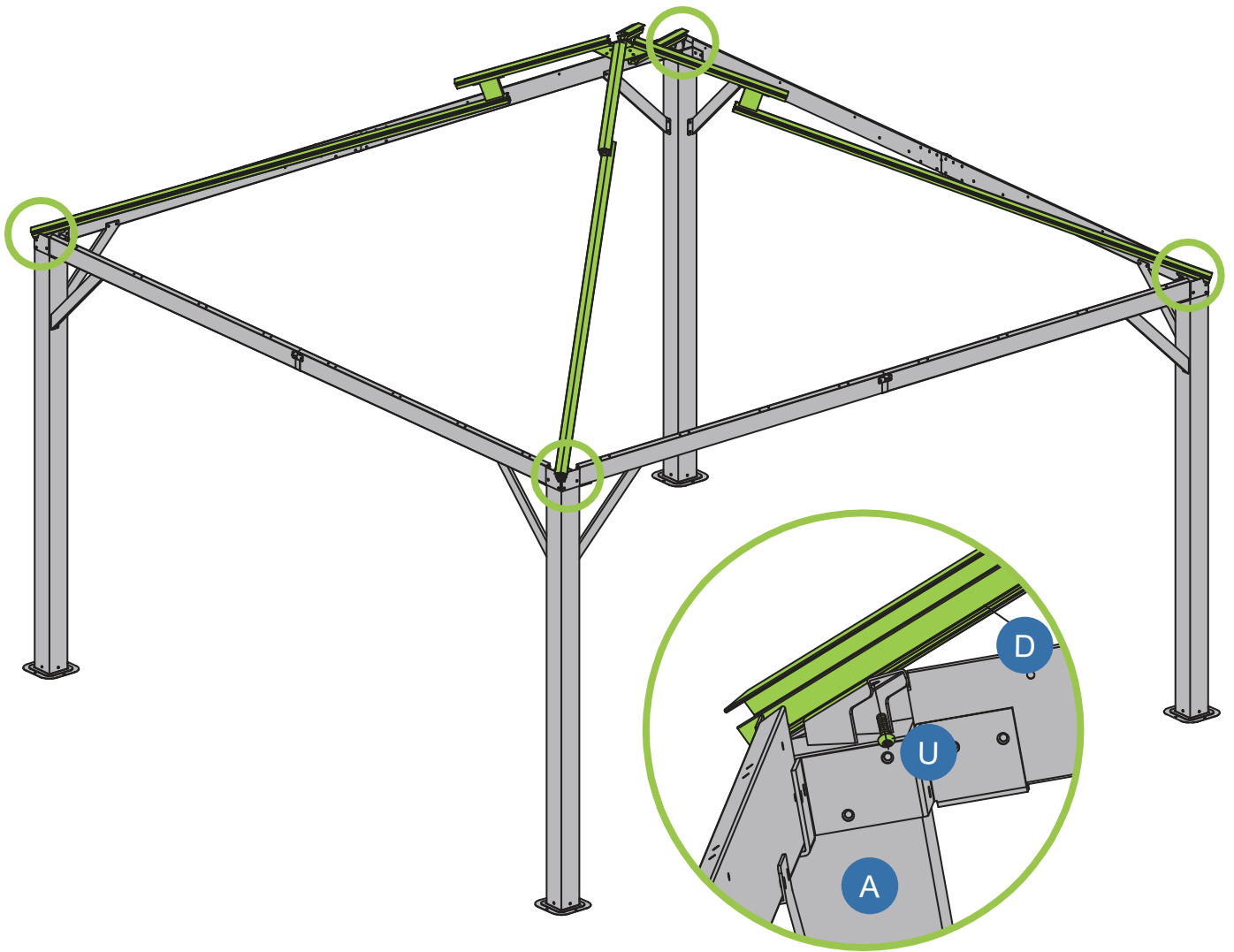
U x 8

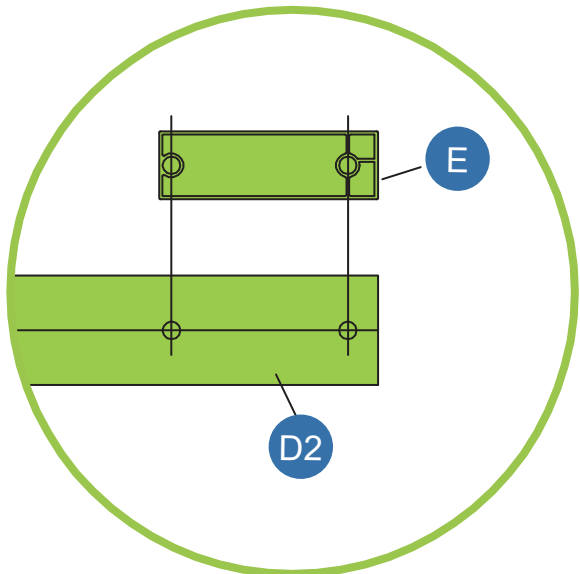
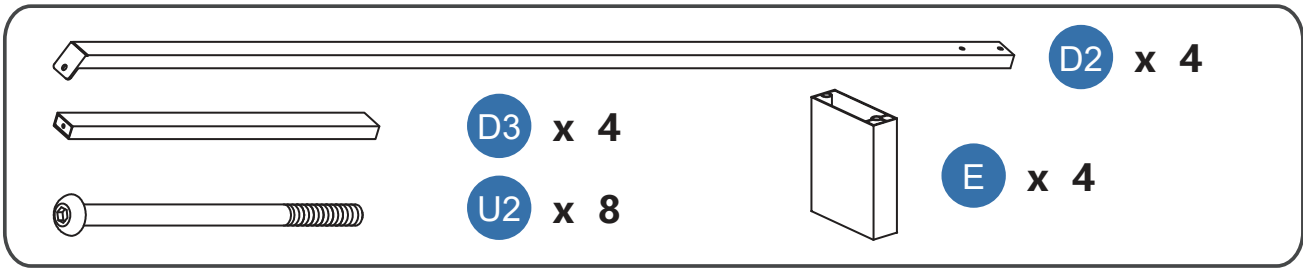


11



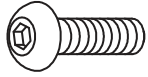
U x 4



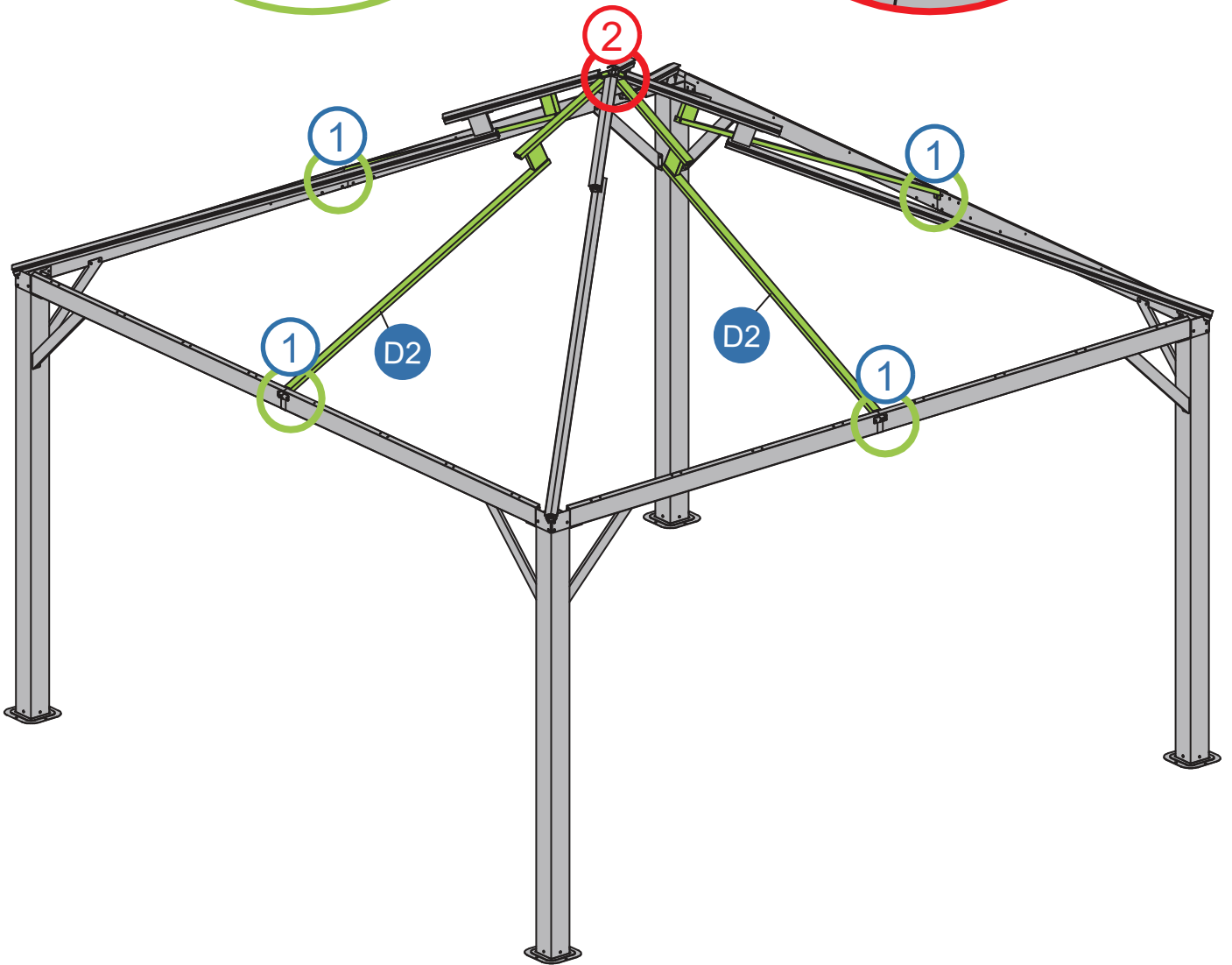
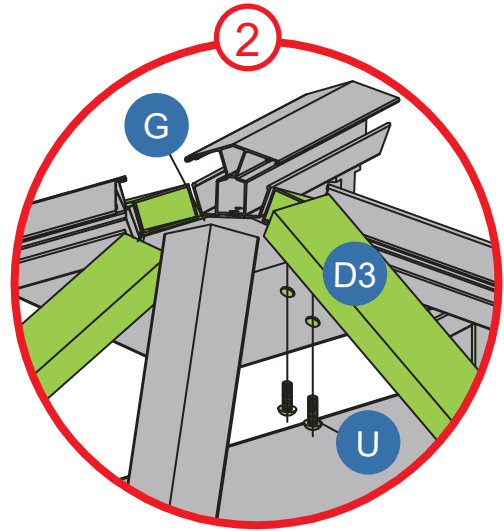
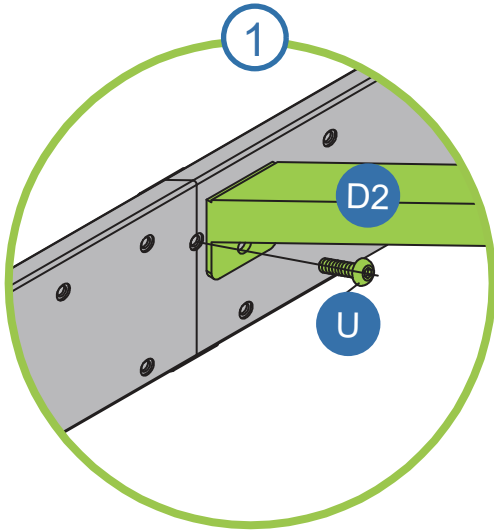


x4

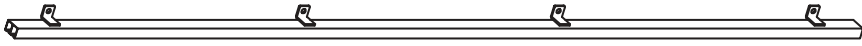




U x 12



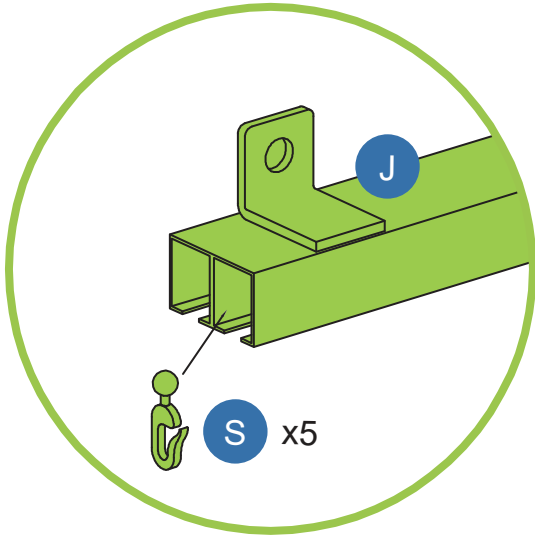
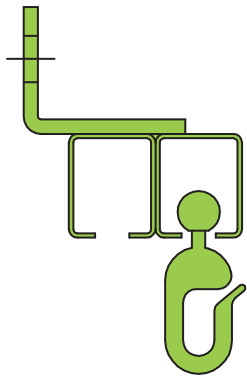
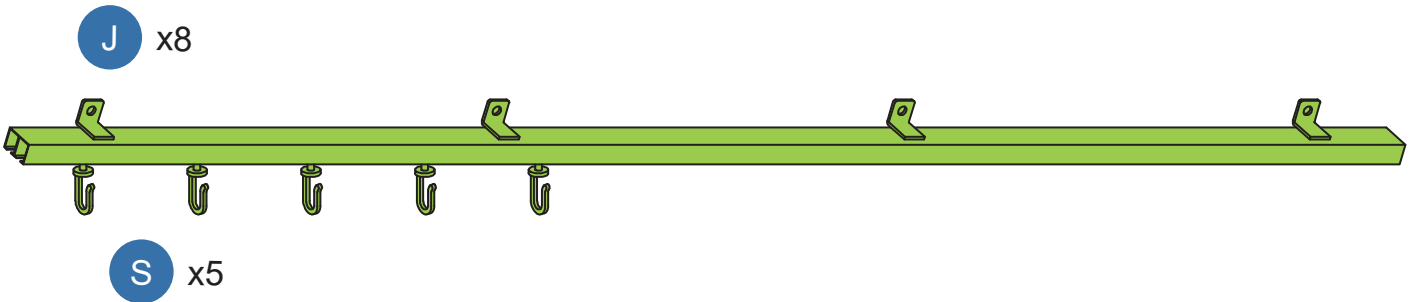
14-1



J x 8

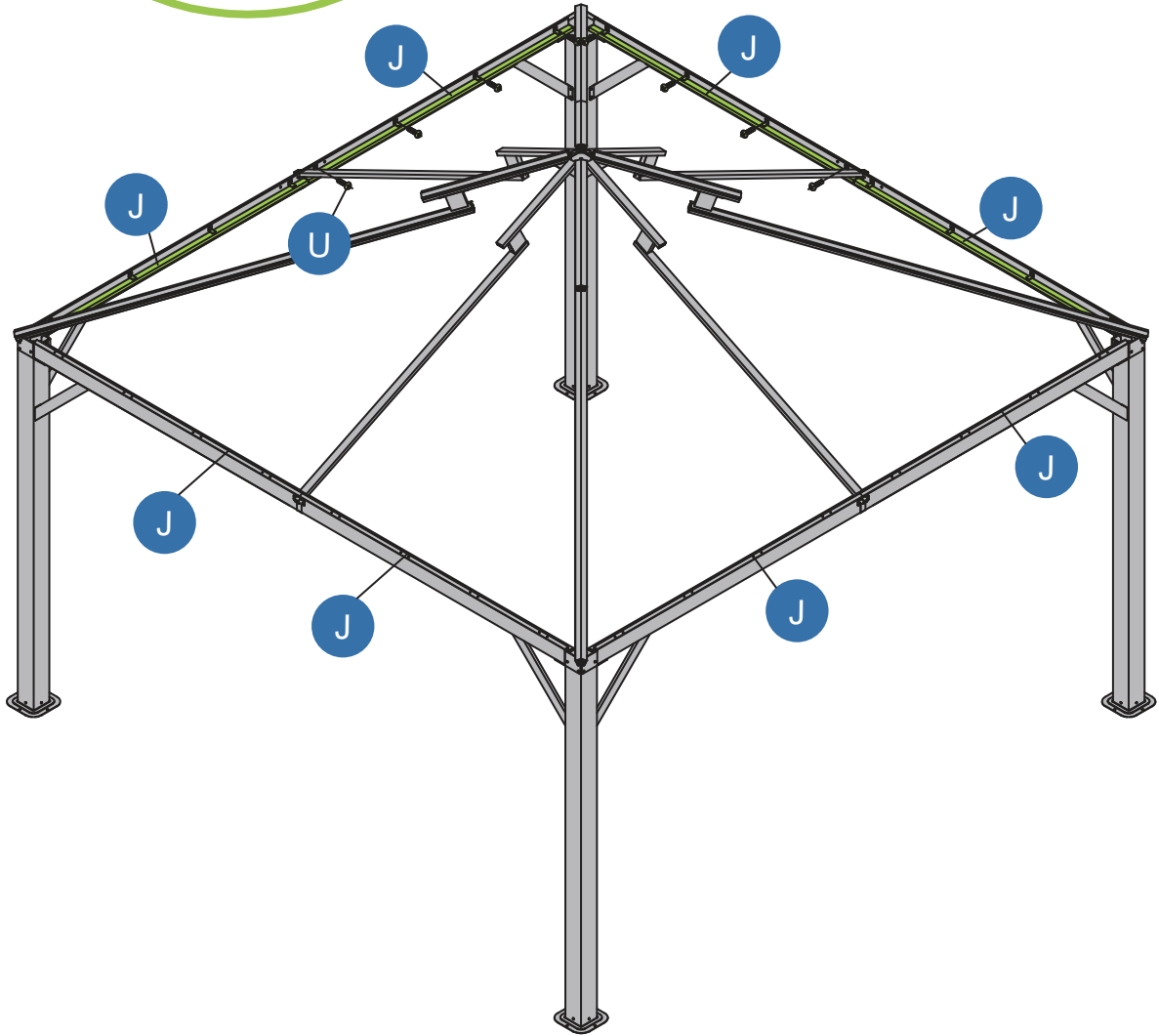
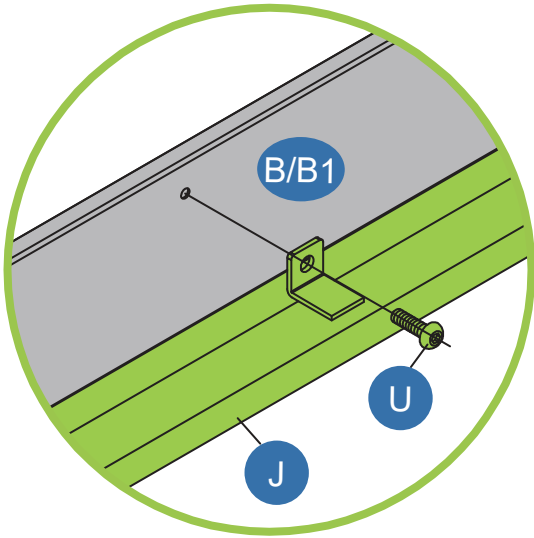


S x 40



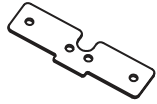
Insert "S" hooks in the quantity shown. Note: Insert the hooks into the outer track.

 U x 32

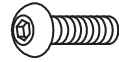




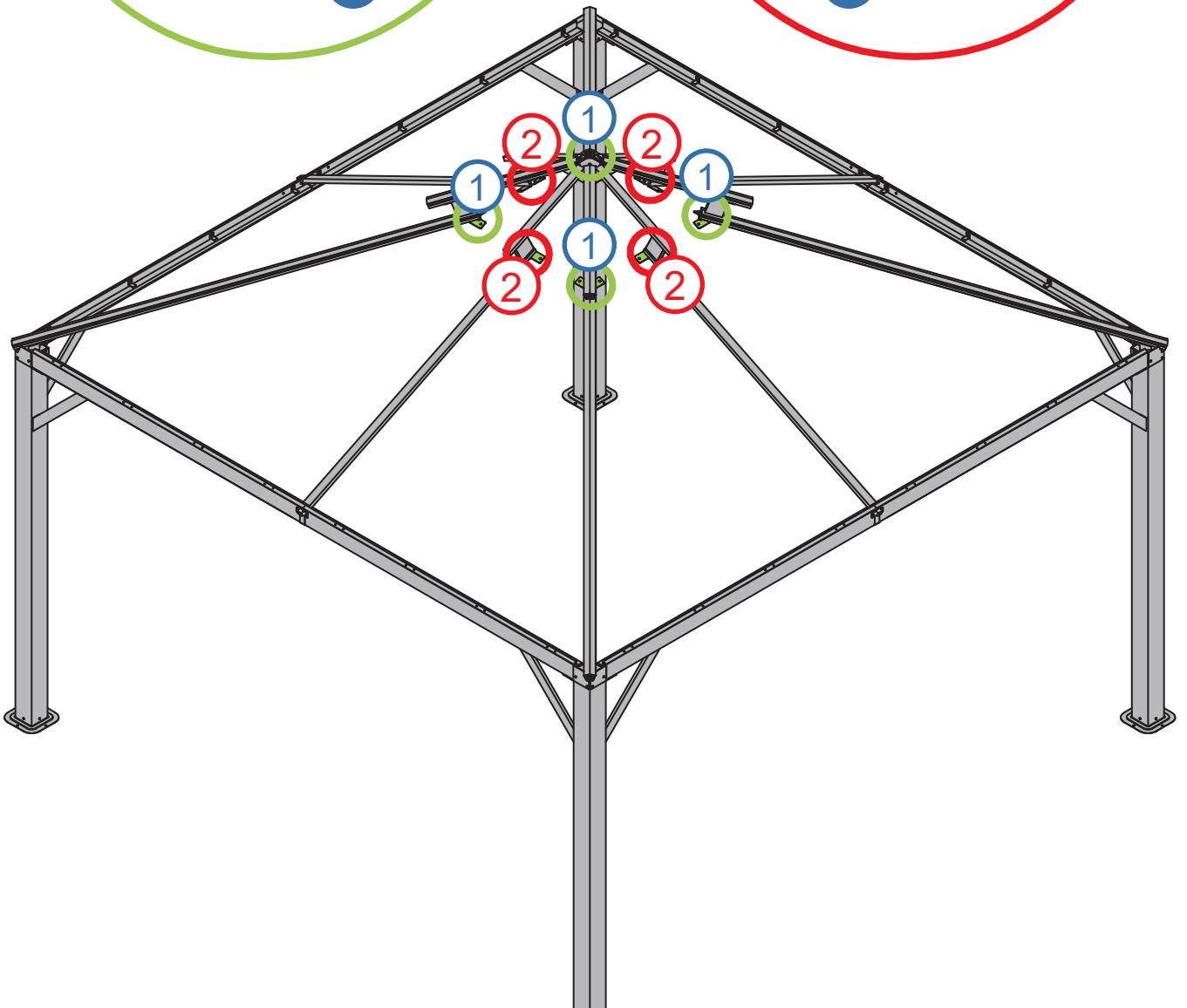
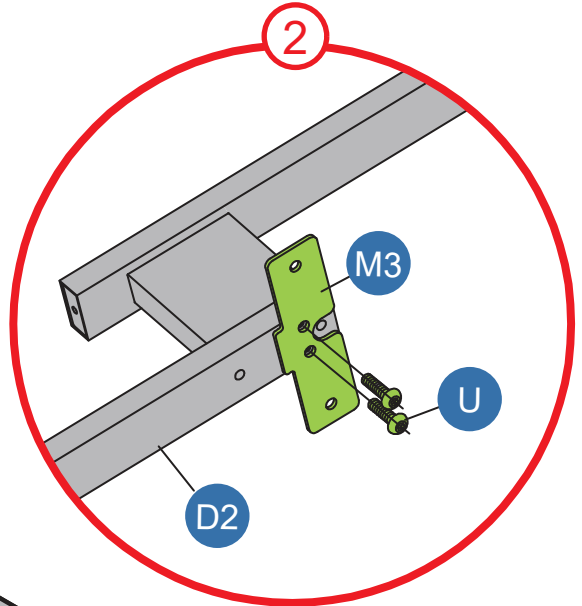
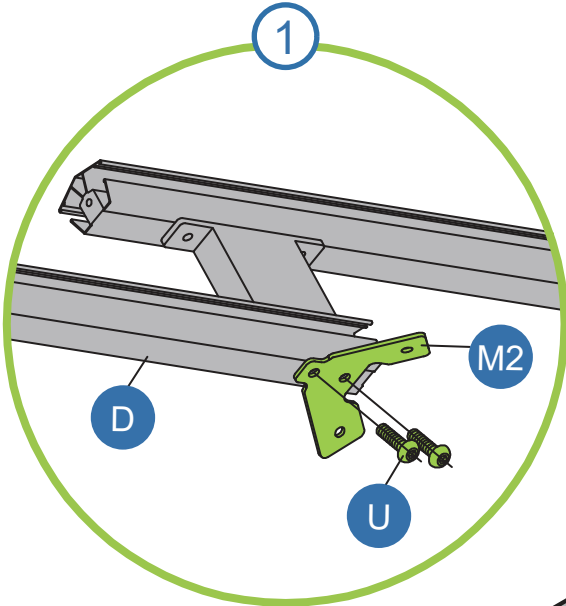
M2 x 4



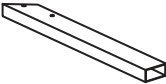
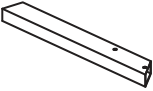
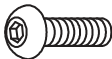
M3 x 4

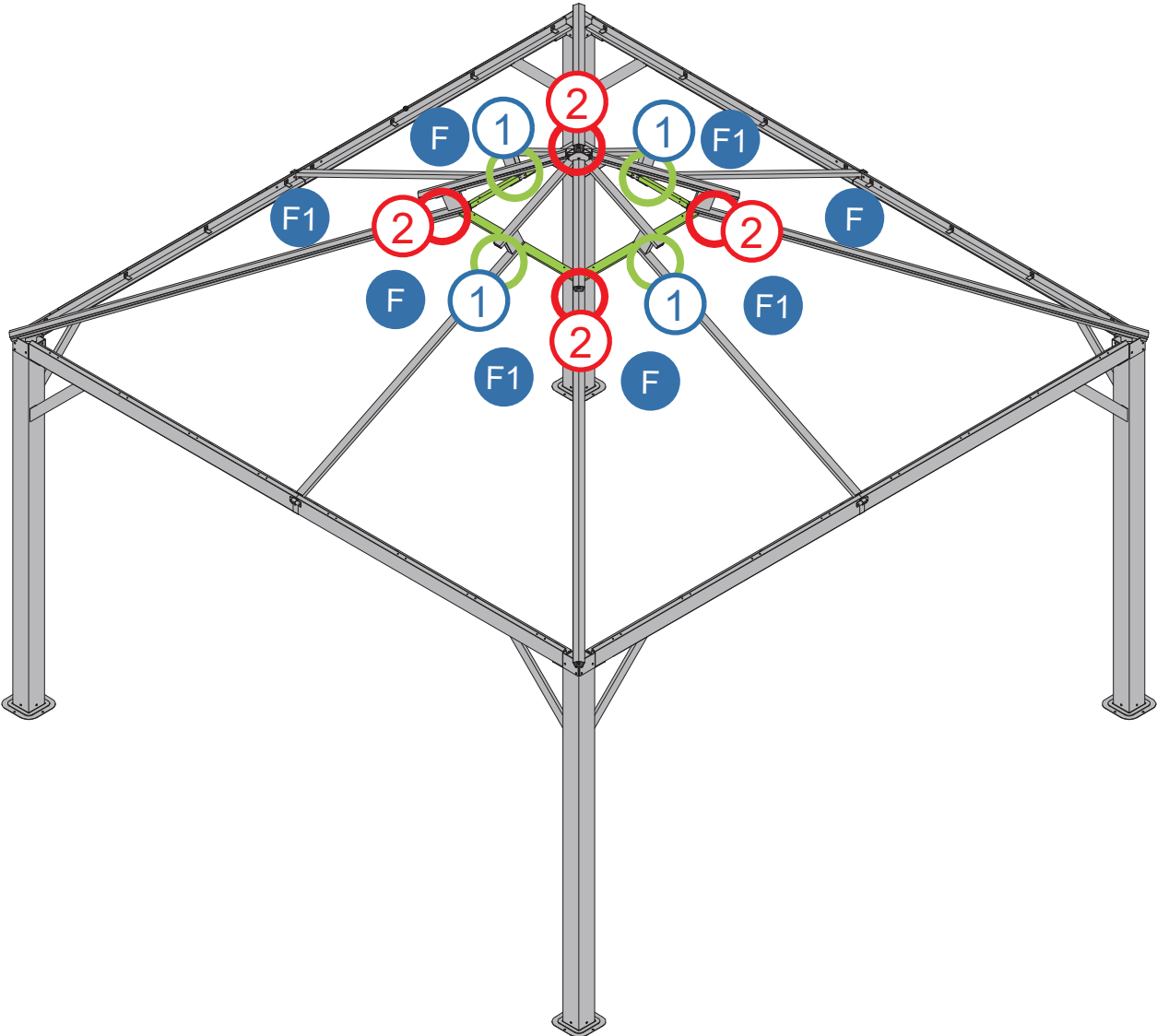
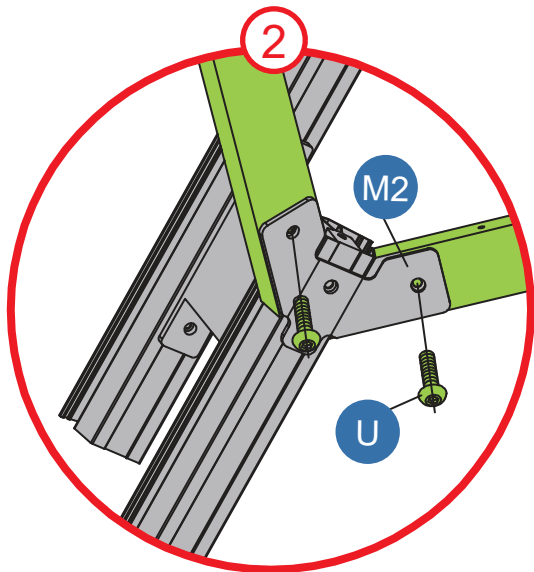
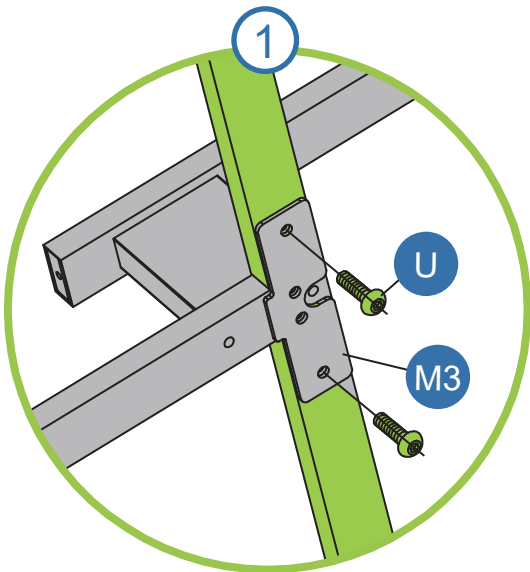


U x 16



When assembling M2/M3, tighten the screws to 70%.

 **F** x 4  **F1** x 4  **U** x 16

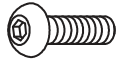


When assembling M2/M3, tighten the screws to 70%.

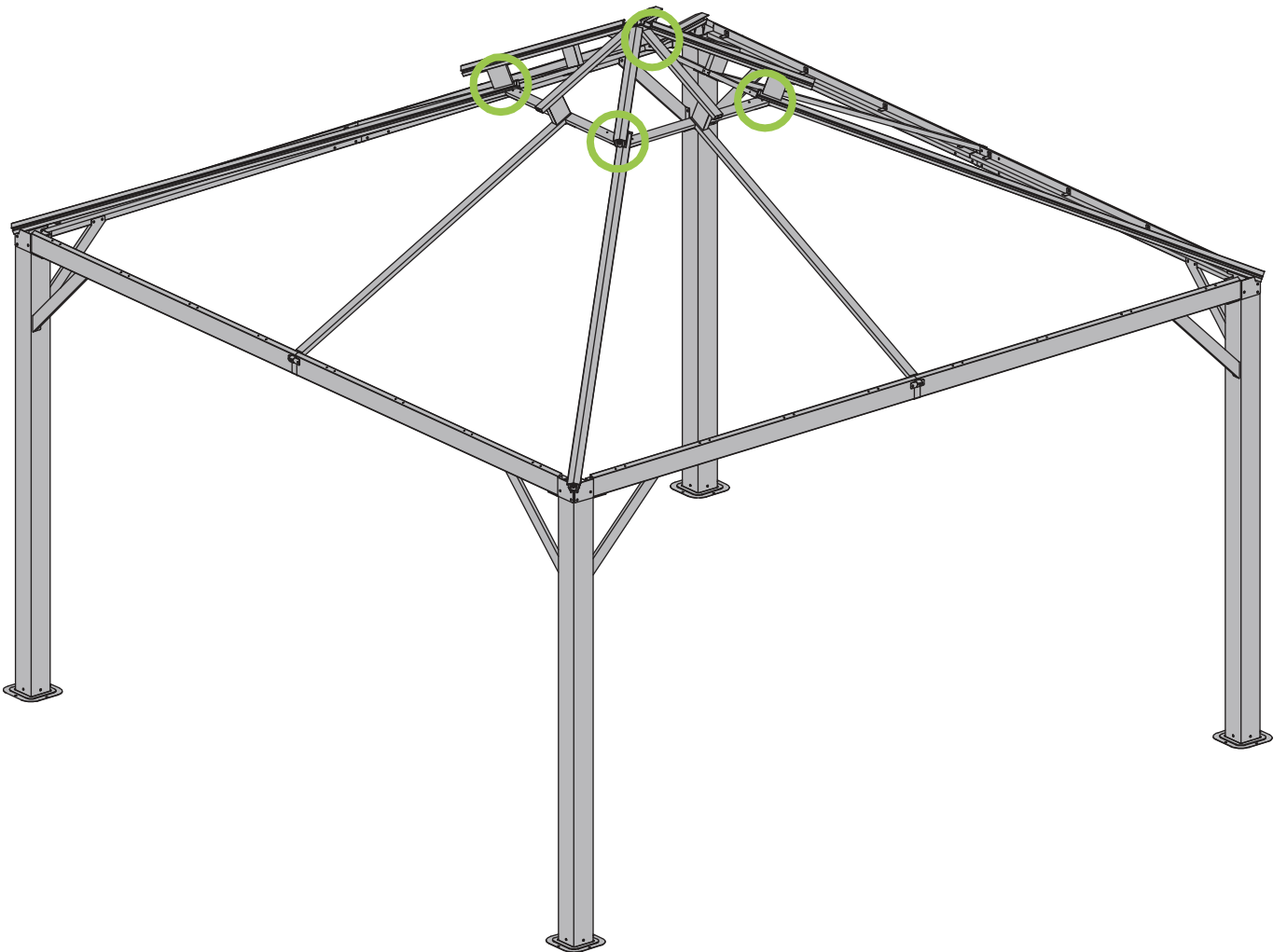
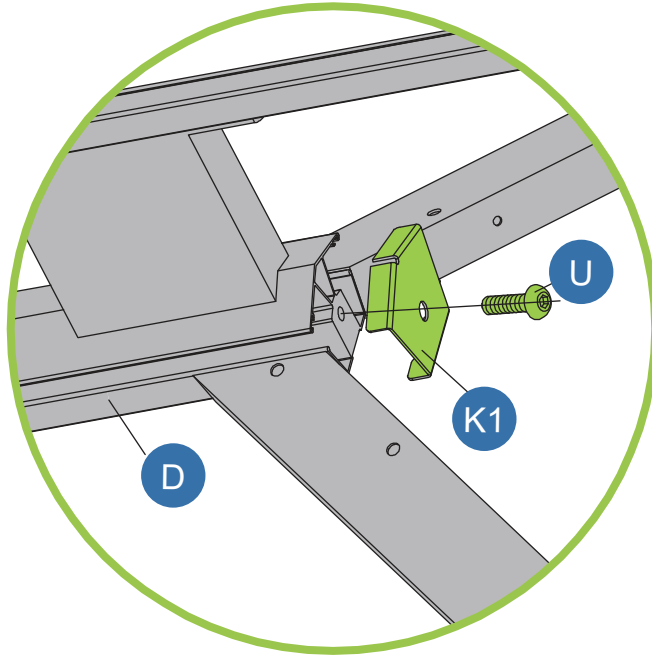
17



K1 x 4

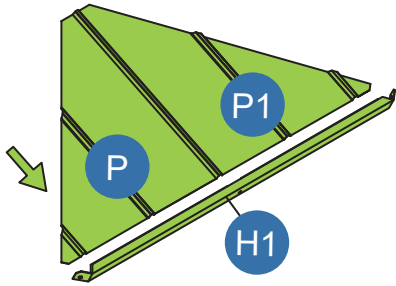


U x 4

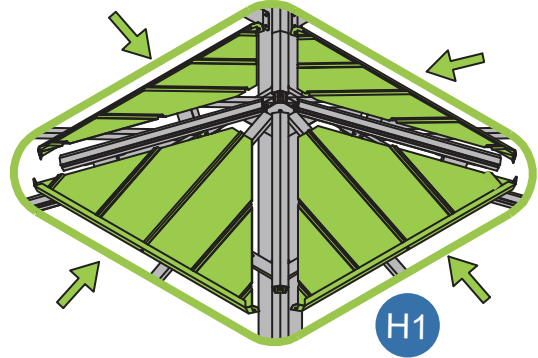


P x4 P1 x4
H1 x 4 K1 x 4 U x 8
 x 2 (gloves)

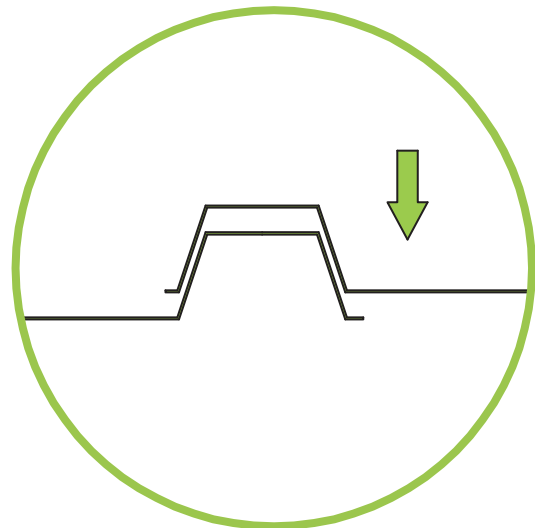
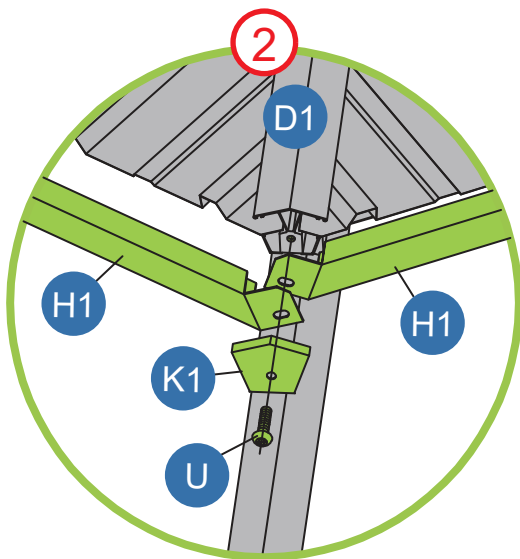
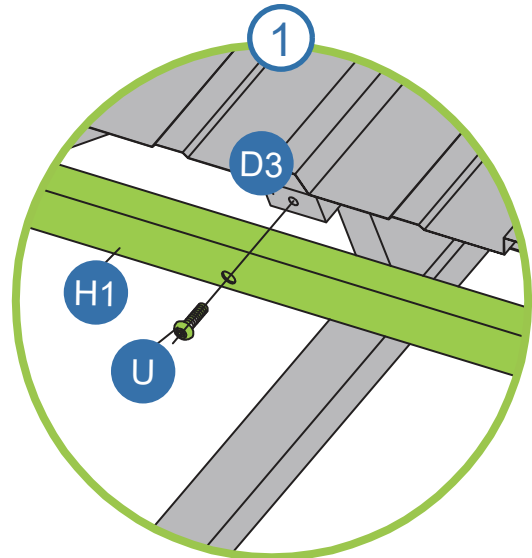
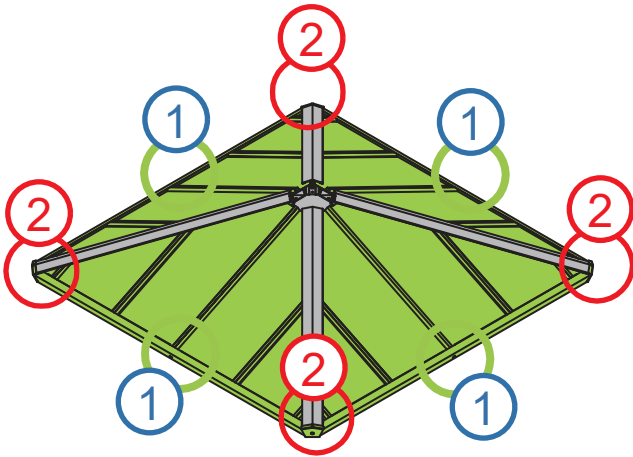
(A)



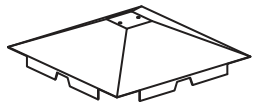
(B)



(C)



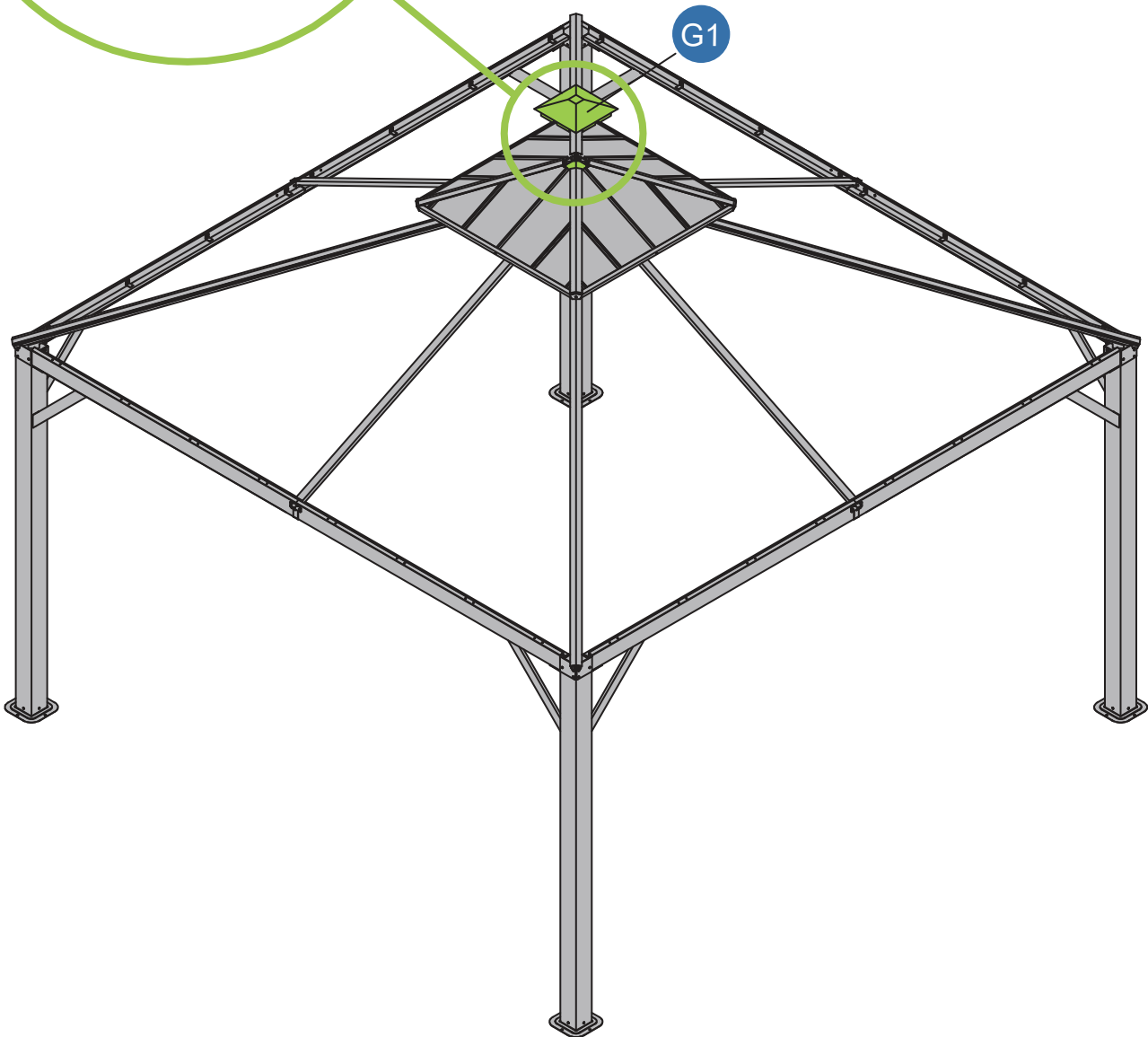
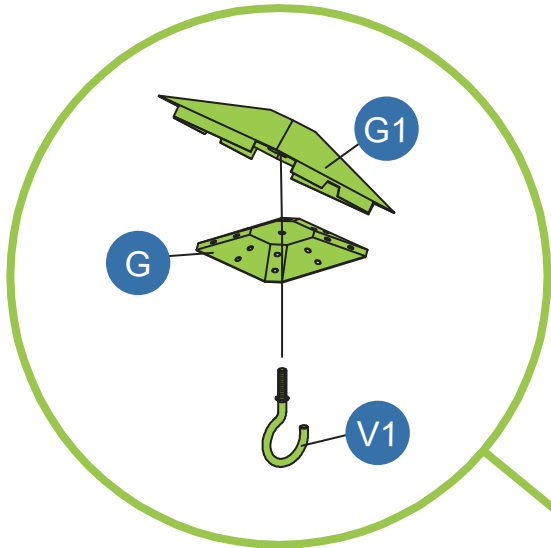
Note: Be cautious when installing the metal sheet to avoid falling or sharp-edge injuries. Gloves must be worn during installation (provided in the metal sheet box).

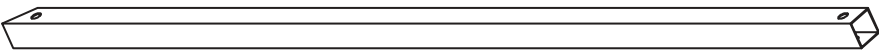


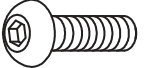


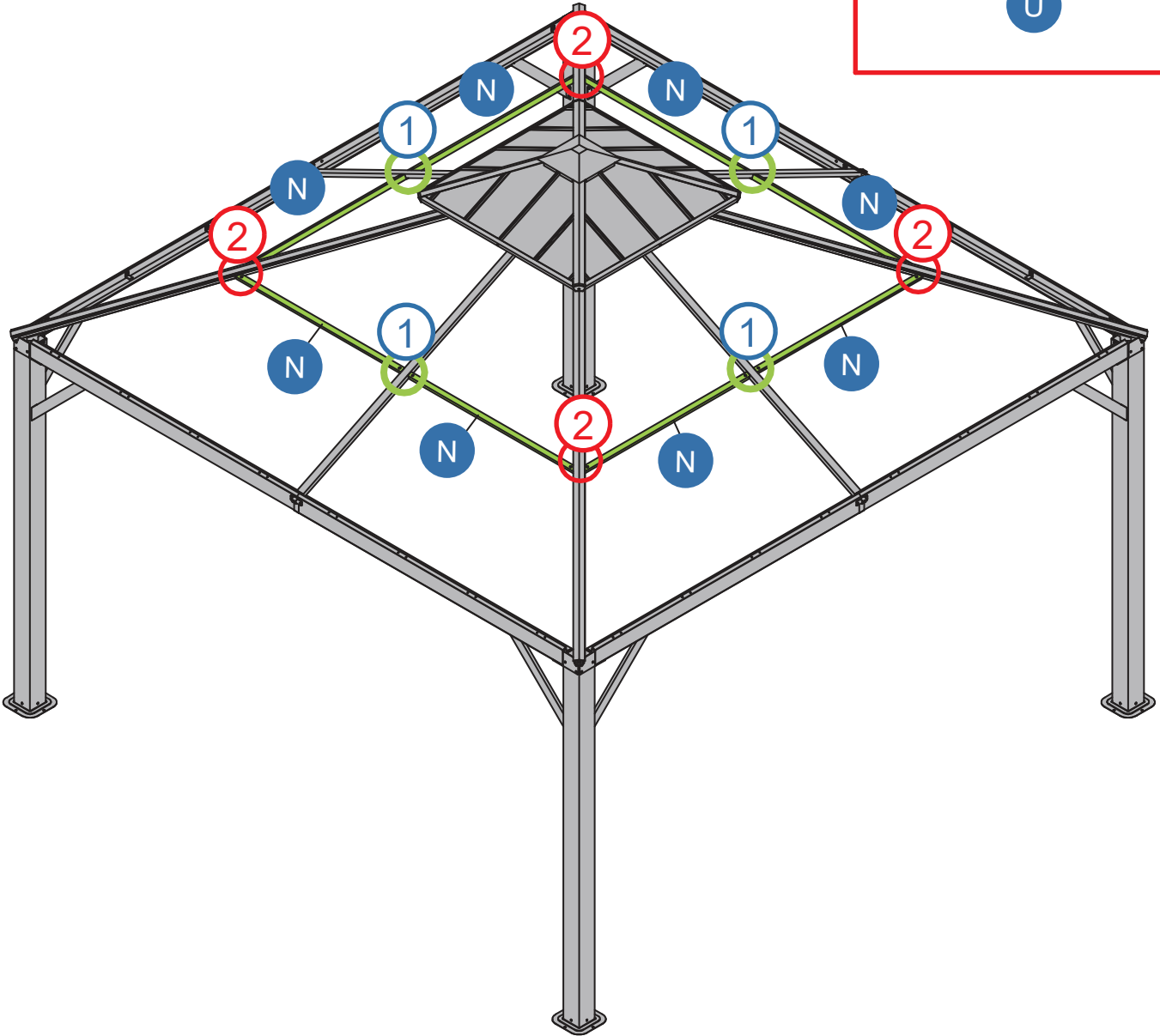
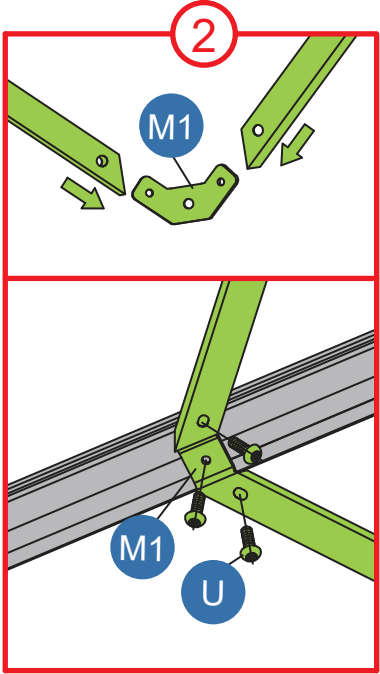
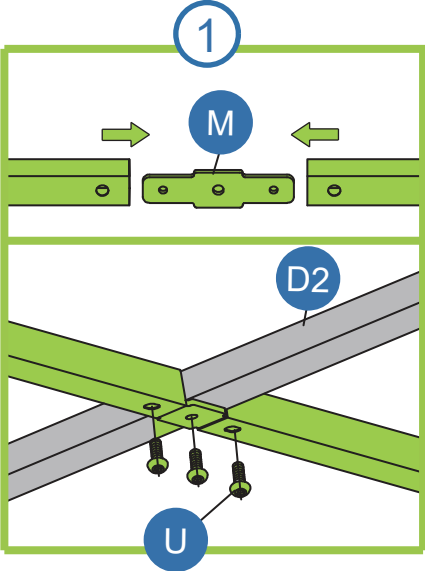
G1 x 1

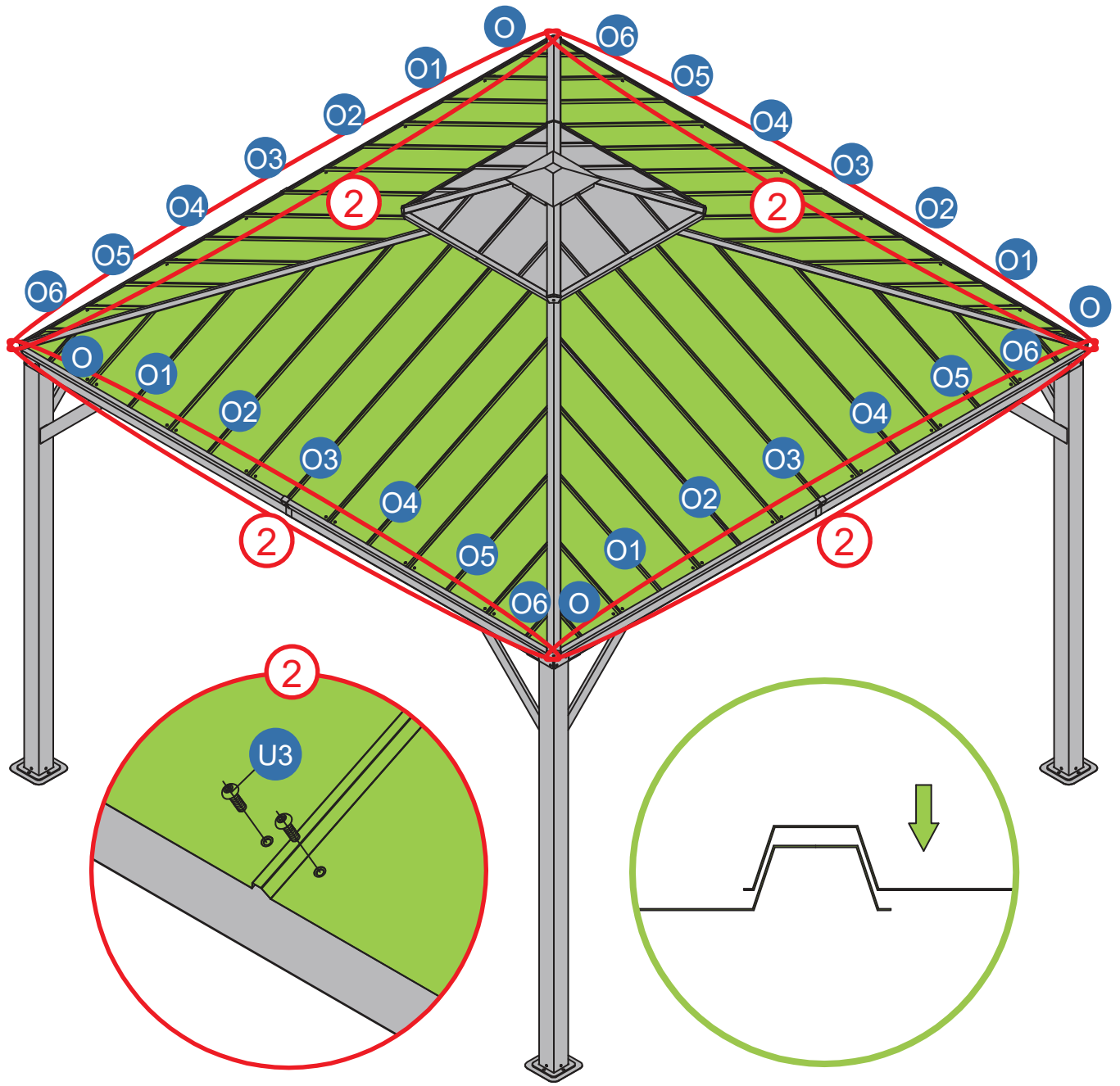
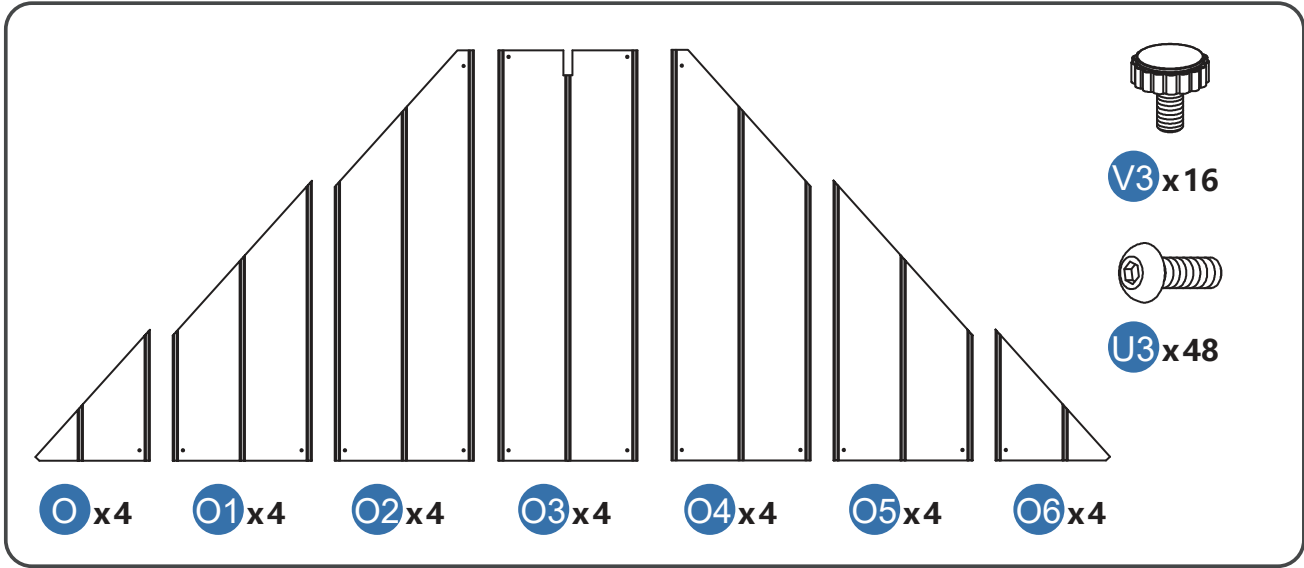


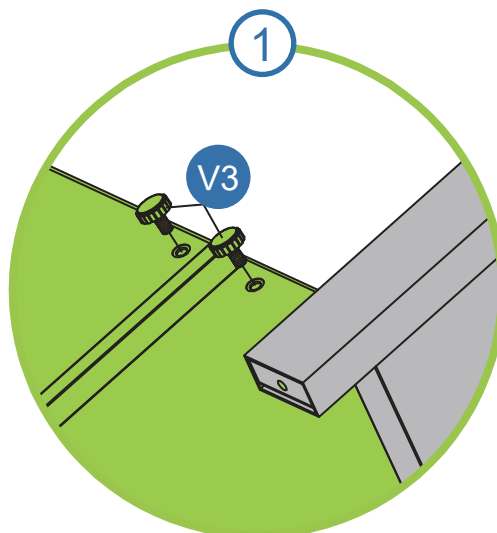
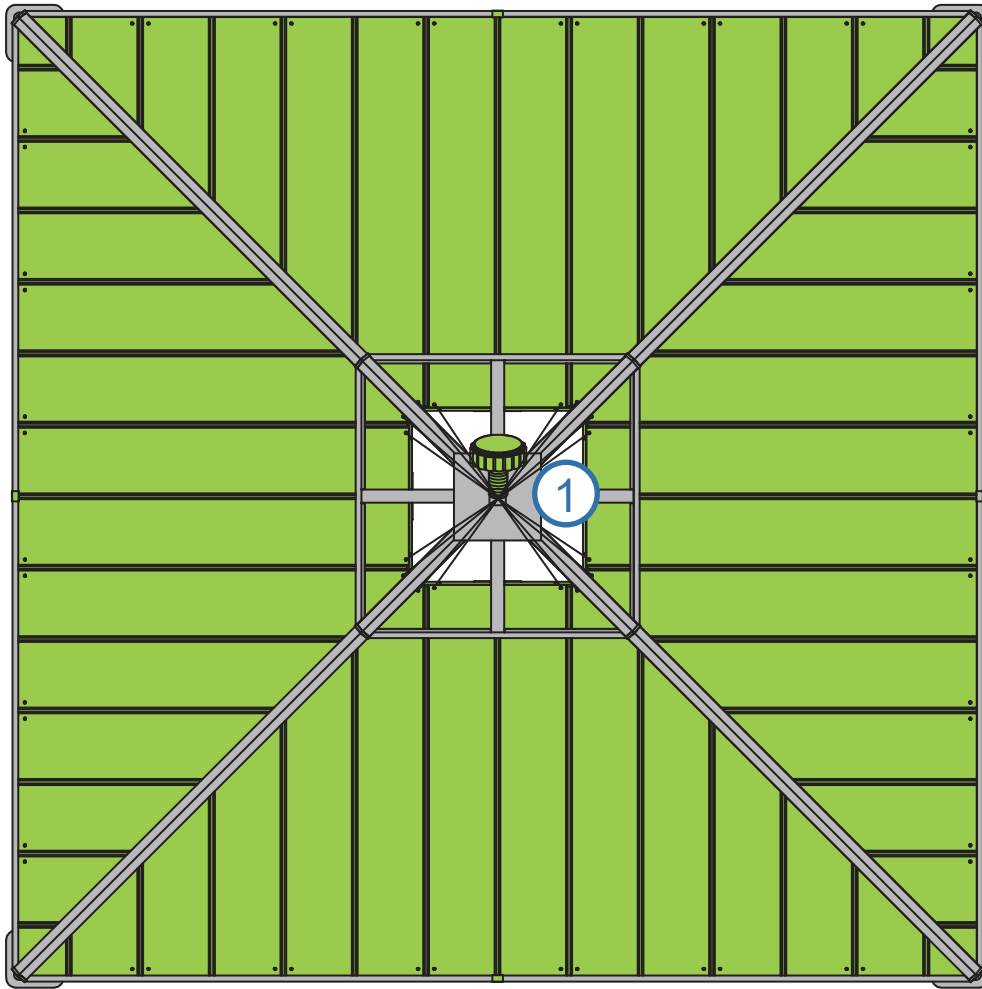
V1 x 1



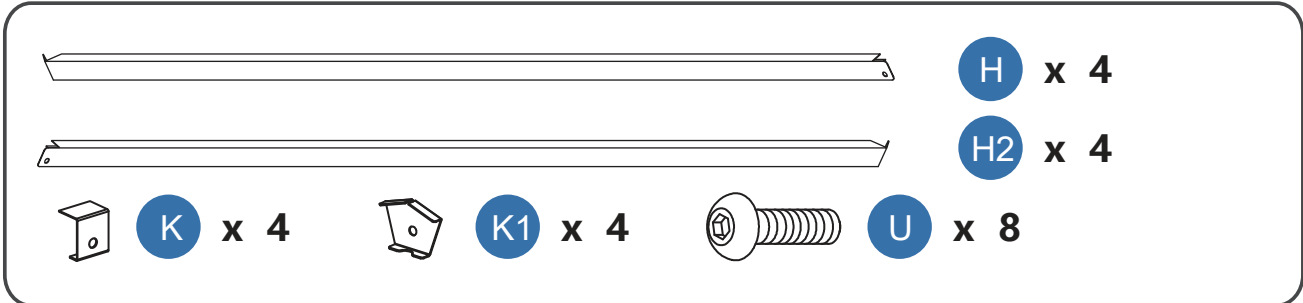
 **N** x 8
 **M** x 4  **M1** x 4  **U** x 24





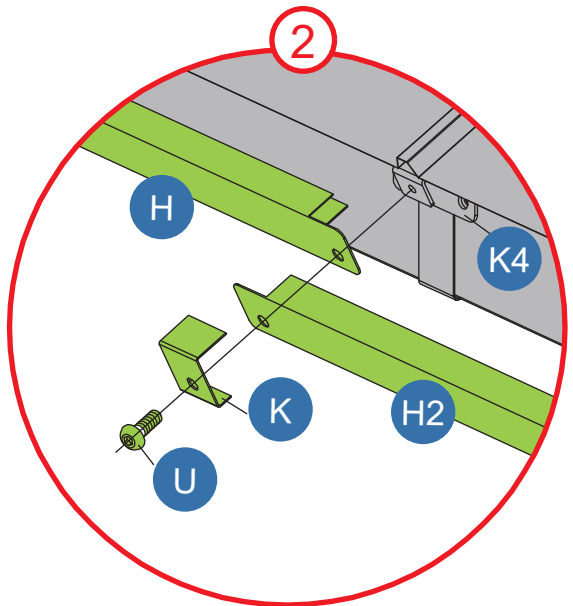
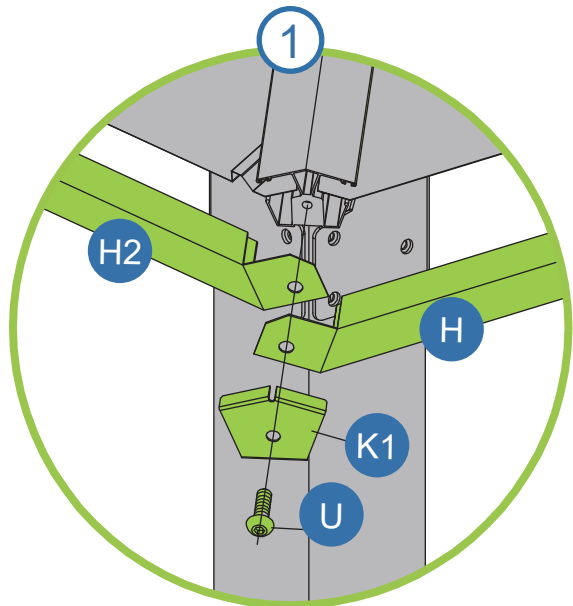
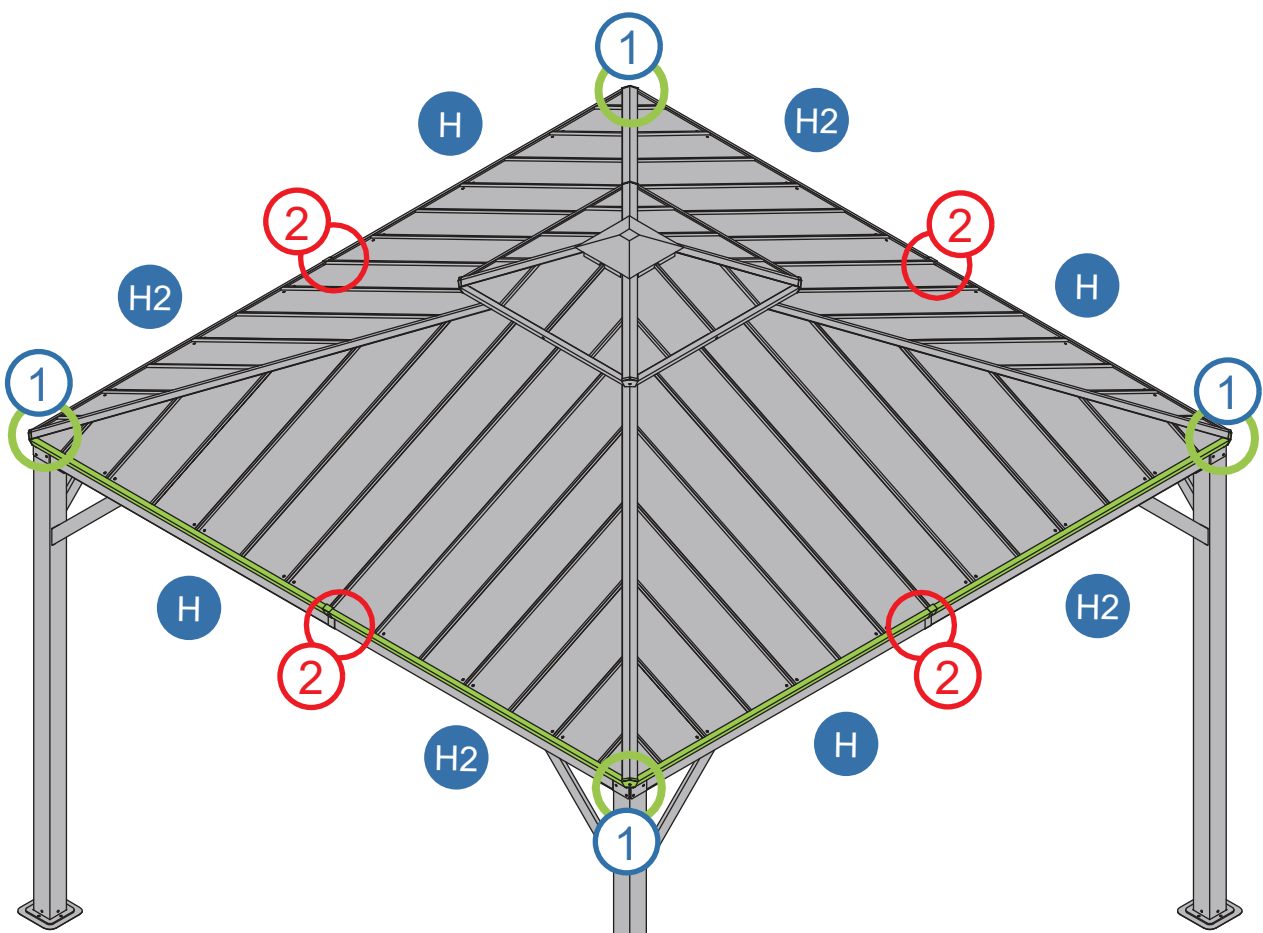


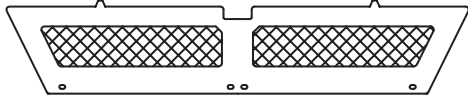
After adjusting the metal sheet and tightening V3, fully tighten the M2/M3 used in steps 15/16.



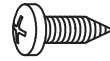
Parts list for step 22:

- H x 4
- H2 x 4
- K x 4
- K1 x 4
- U x 8

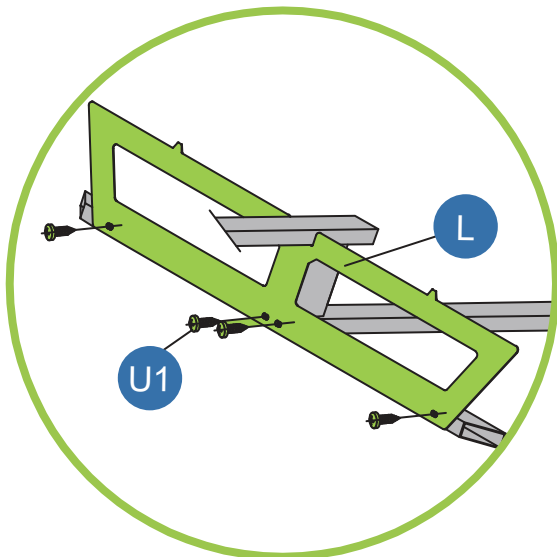
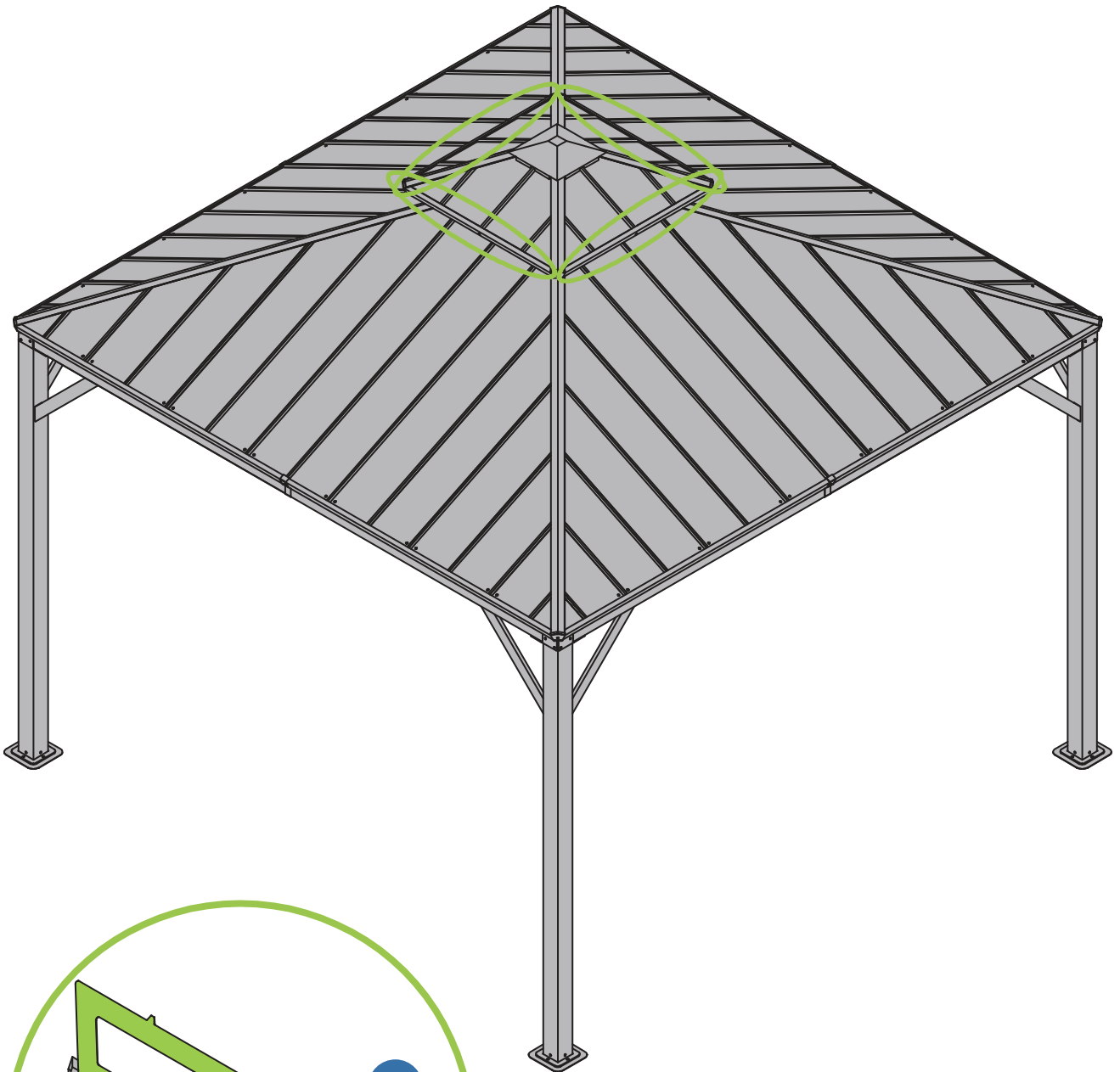




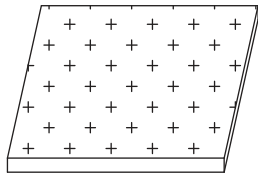
L x 4



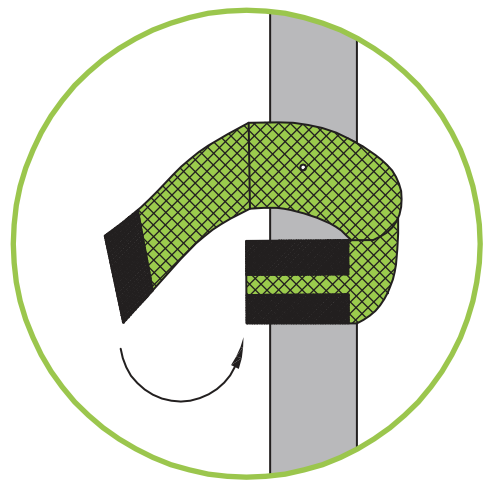
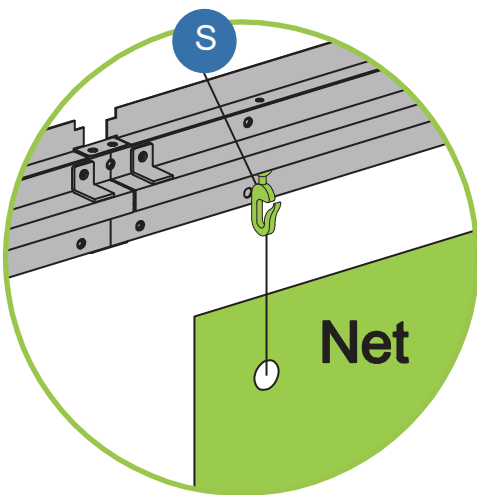
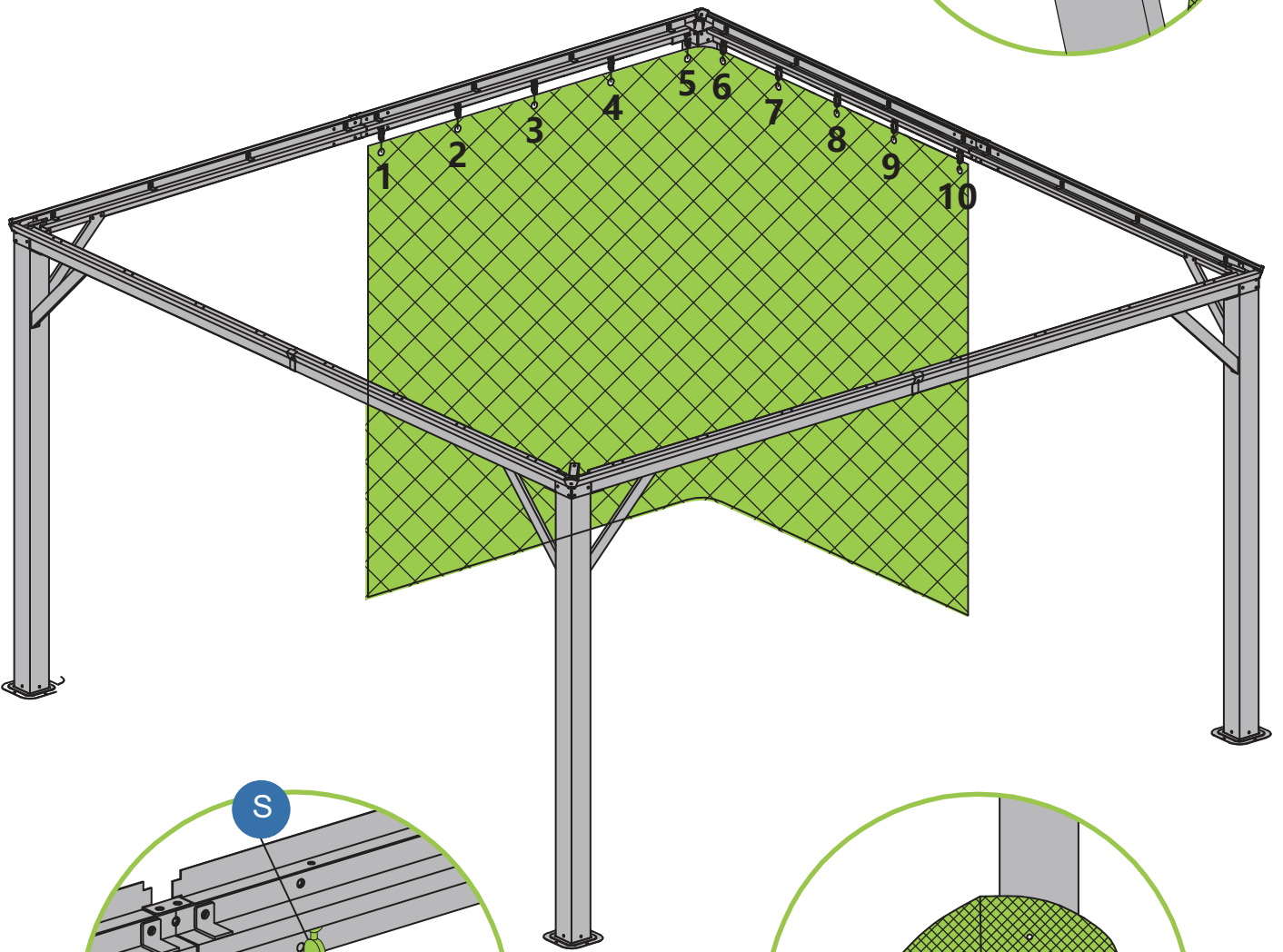
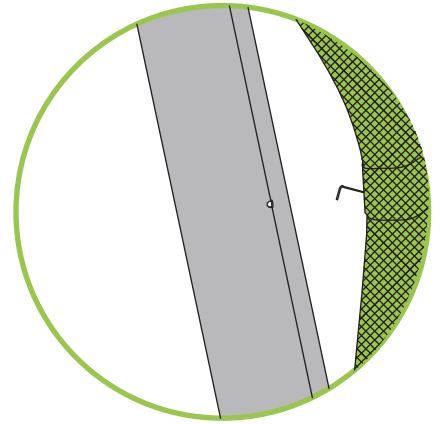
U1 x 16

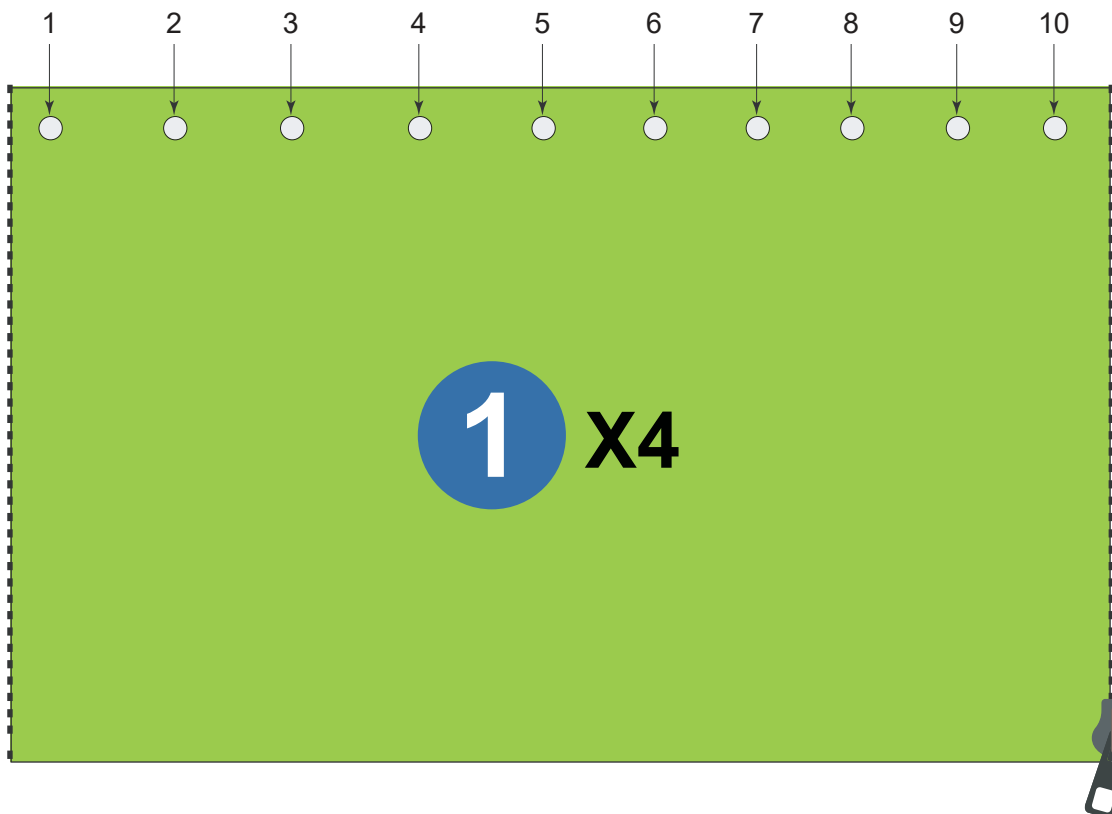
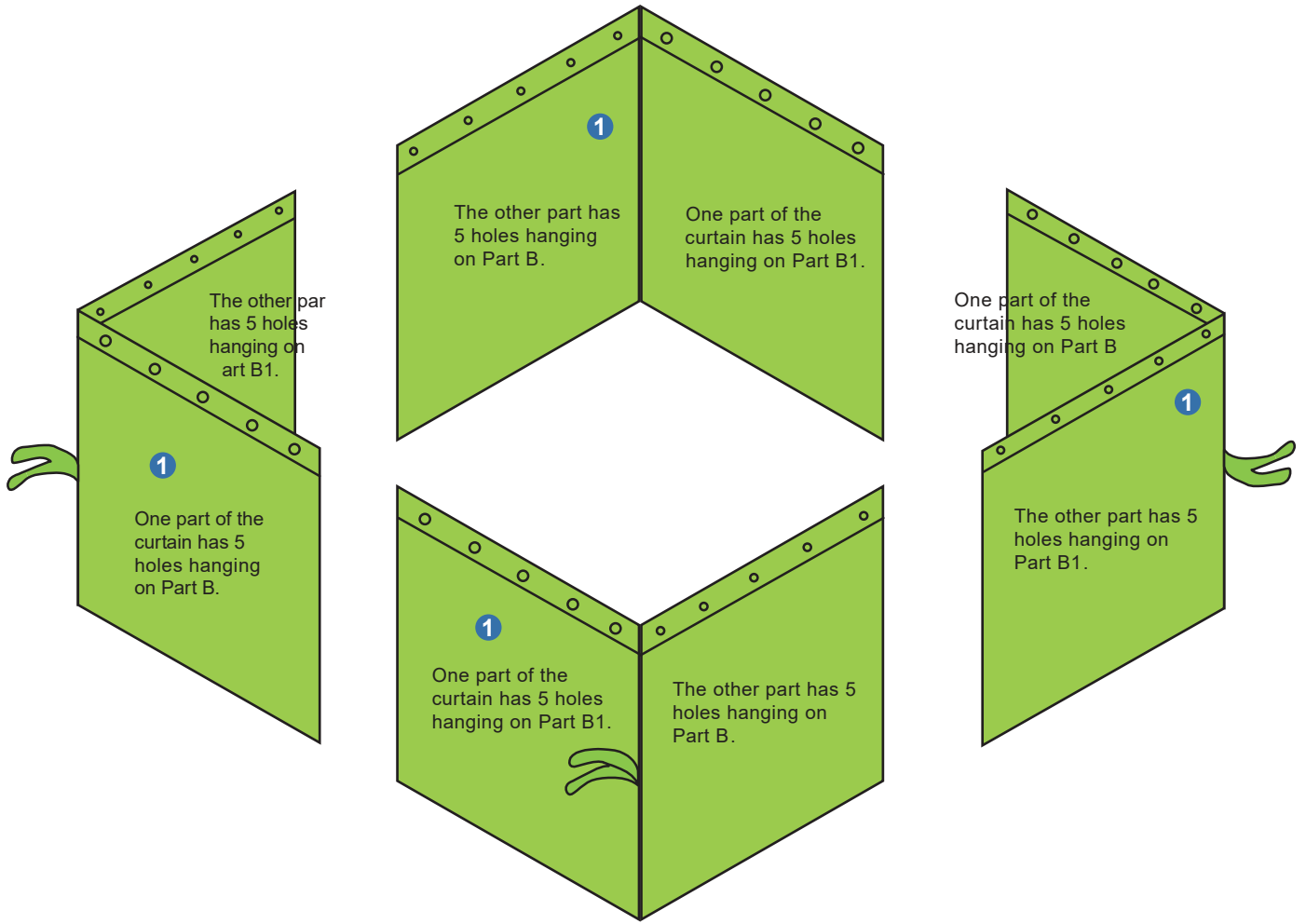


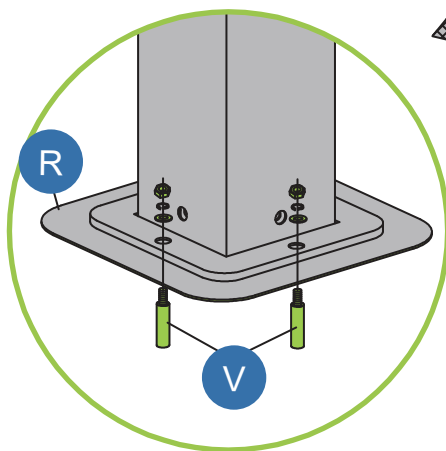
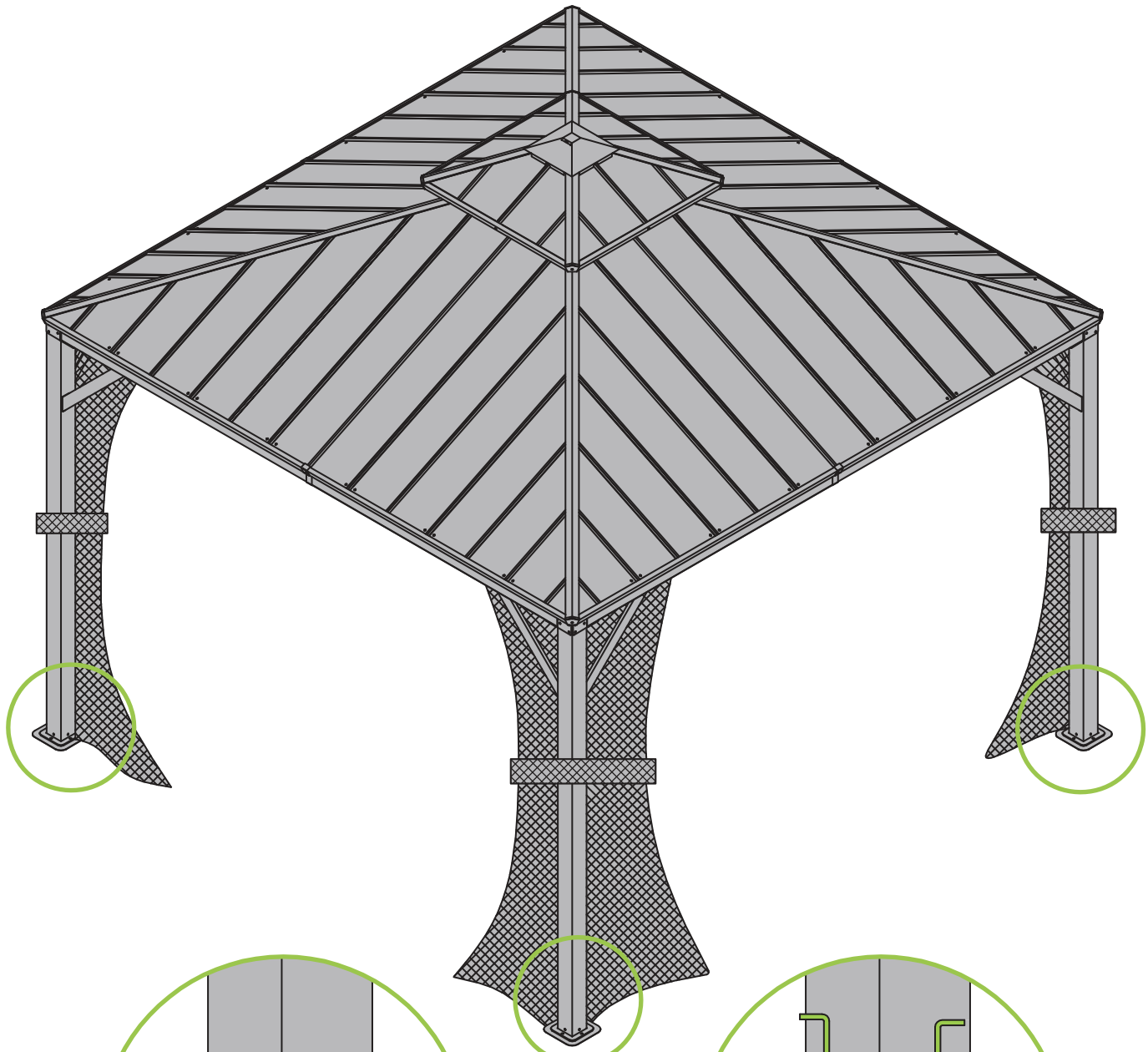
24-1



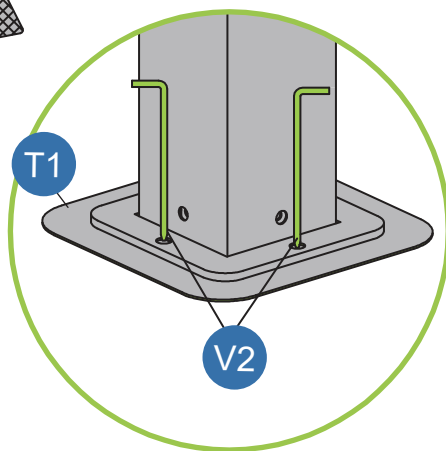
Net x 4







Cement surfaces



Grassy surfaces

Installation Completed



To improve wind resistance, be sure to complete this installation step. If expansion screws or ground nails are not installed, strong winds may topple the gazebo. Expansion screws are essential for stability on cement surfaces, and ground nails are for grassy surfaces. All are included in the accessories package.