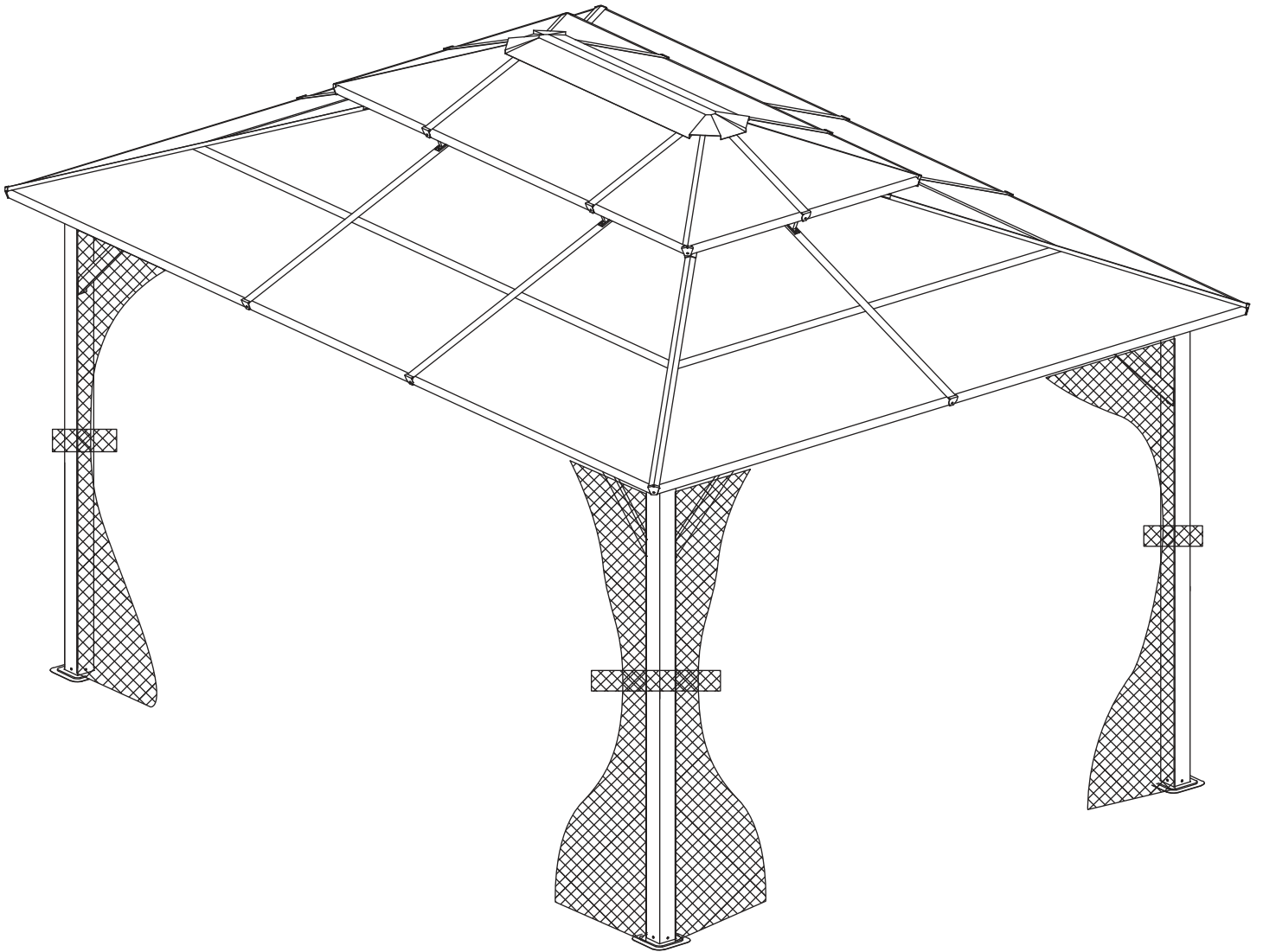




VEIKOUS



www.veikous.com



customerservice@veikous.com

STOP

**MISSING A PART?
CALL US BEFORE GOING
BACK TO THE STORE**

The store where you made your purchase
Does not stock parts for this item.

If you have assembly questions or you are missing or
have damaged parts, please call

1-858-324-1911

(Mon - Sun, 10:00 am to 7:00 pm EST)

you can also e-mail customerservice@veikous.com

or visit www.veikous.com

Please prefer email contact. Due to busy lines,
there may be a wait for calls to be answered.

**Please have the following information ready when you contact us,
so we can assist you promptly.**


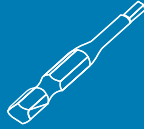





- Order number or PO number (you can find the info on your invoice, receipt or platform account).
- The model number of the product (printed on the package box).
- Description of the part from the parts list.

-
- Read entire assembly manual, paying special attention to the important tips and safety information .
 - Ensure there are no missing pieces by first separating and identifying all parts.
 - Make sure to check packing material for small parts that may have fallen out during shipment.
 - Structures are not intended for public use. The Company does not warranty any of its residential structures subjected to commercial use such as: Daycare, Preschool, Nursery School, Recreational Park, or any similar Commercial Application.
 - This manual contains helpful information concerning assembly preparation, installation procedure and required maintenance.
 - Always keep safety in mind as your structure is being built.
 - Keep these instructions for future reference.

TOOLS REQUIRED

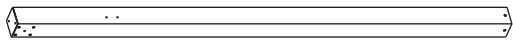
EQUIPMENT REQUIRED (Not included in boxes)

*NOTE: Tools / equipment are not shown to actual size and scale.

	DRILL		ALLEN KEY
	SAETY HAT		GLOCES
	STEPLADDER (6.5Ft Or More)		PHILLIPS SCREW
	SAFETY GOGGLES		

Matters needing attention

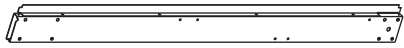
	Three or more people are required for assemblee		Do not fully tighten screws prior to complete assembly
---	--	---	---



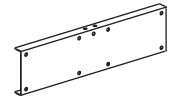
A x 4



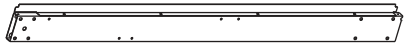
F4 x 4



B x 2



G x 4



B1 x 2



H x 2



C x 2



H1 x 4



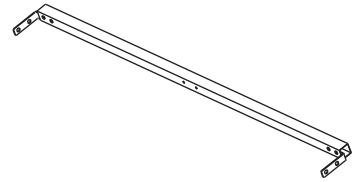
C1 x 2



H2 x 4



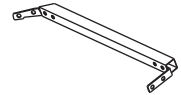
D x 4



I x 2



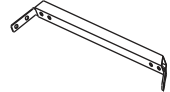
D1 x 4



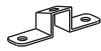
I1 x 4



D2 x 4



I2 x 4



D3 x 4



J x 4



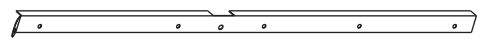
E x 6



J1 x 4



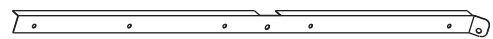
E1 x 6



K x 2



E3 x 6



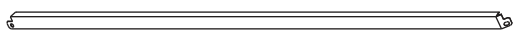
K1 x 2



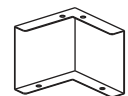
F x 4



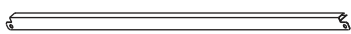
K2 x 2



F1 x 4



L x 4



F2 x 4



L1 x 4



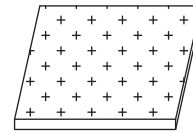
F3 x 4



L2 x 16



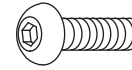
O x 4



Net x 4



O1 x 4

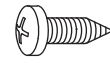


U x 250(+8)

M6x15

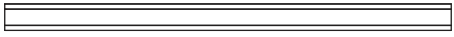


P x 4

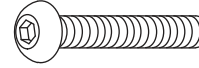


U1 x 56(+4)

St4.8x12



P1 x 2

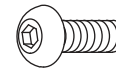


U3 x 20(+2)

M6x30

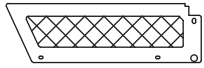


P2 x 4



U4 x 72(+4)

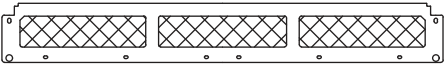
M6x10



Q x 4



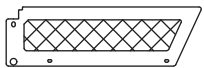
V1 x 2



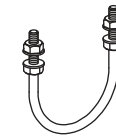
Q1 x 2



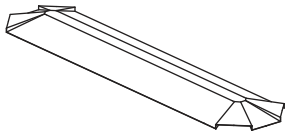
V2 x 16



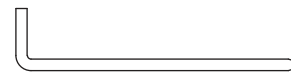
Q2 x 4



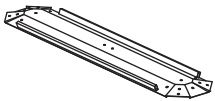
V3 x 1



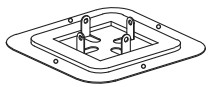
R x 1



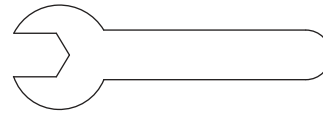
V4 x 16



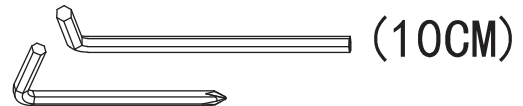
S x 1



T1 x 4



X x 12



S4



Y x 12



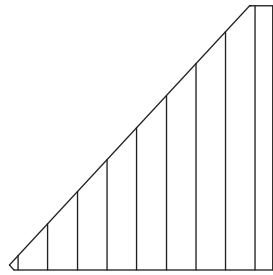
Y1 x 4



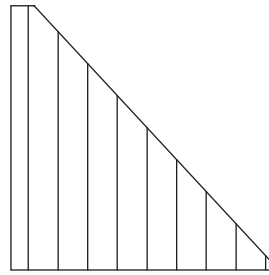
Y2 x 6



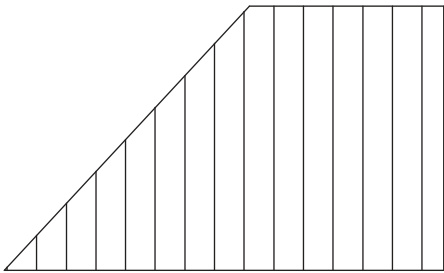
Z x 56(+3)



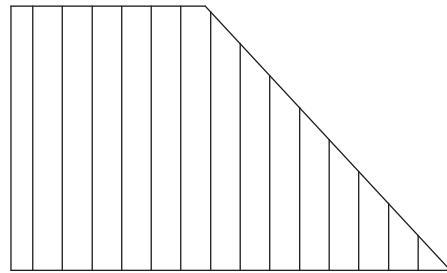
M x 4



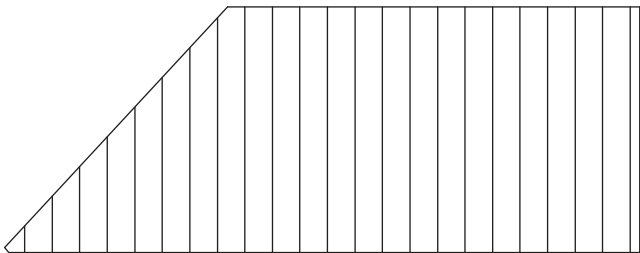
M1 x 4



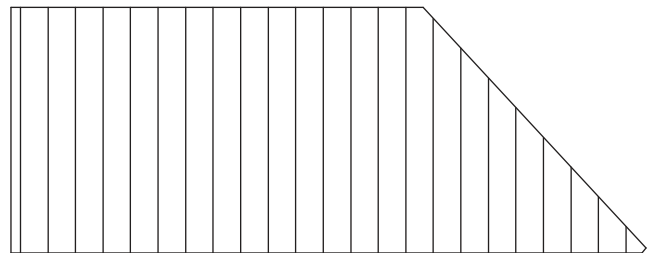
N x 4



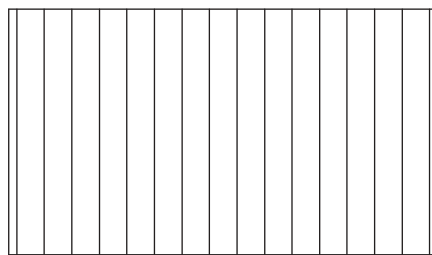
N1 x 4



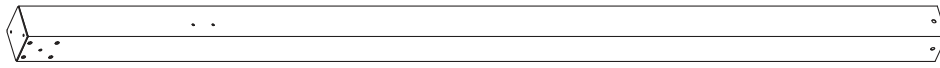
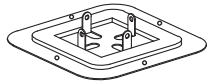
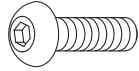
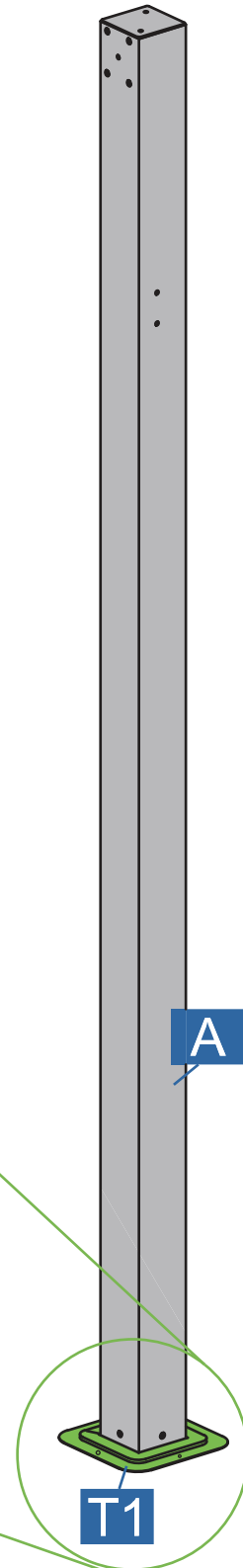
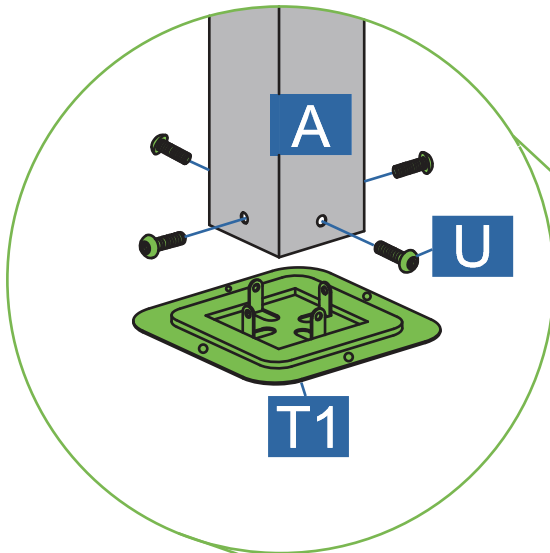
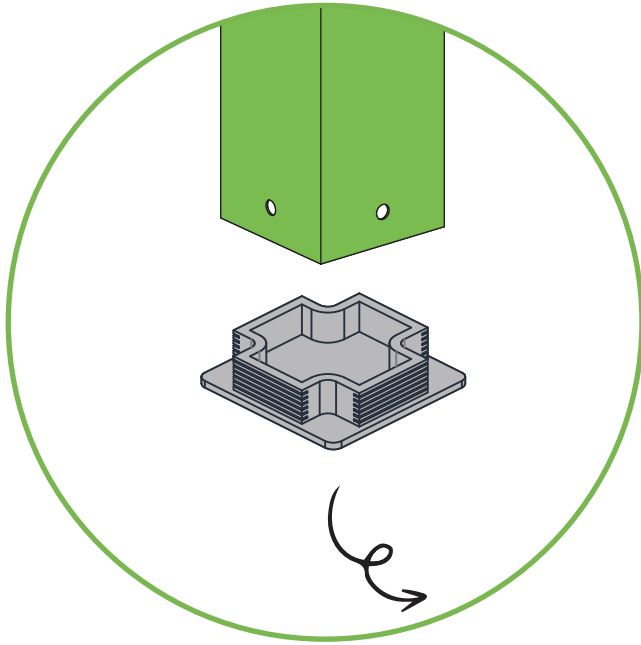
N2 x 4



N3 x 4

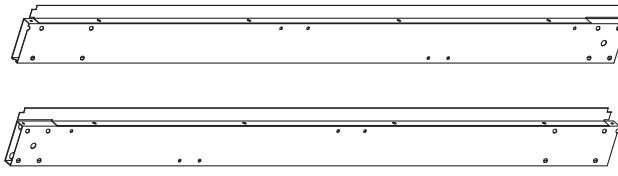


N4 x 6

1**A** x 4**T1** x 4**U** x 16**x4**

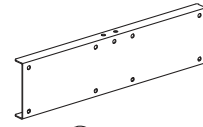
Attach part "T1" to the bottom of part "A" and secure it with 4 screws "U".
Note: Repeat the above steps to connect the remaining sections.

2

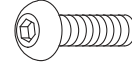


B x 2

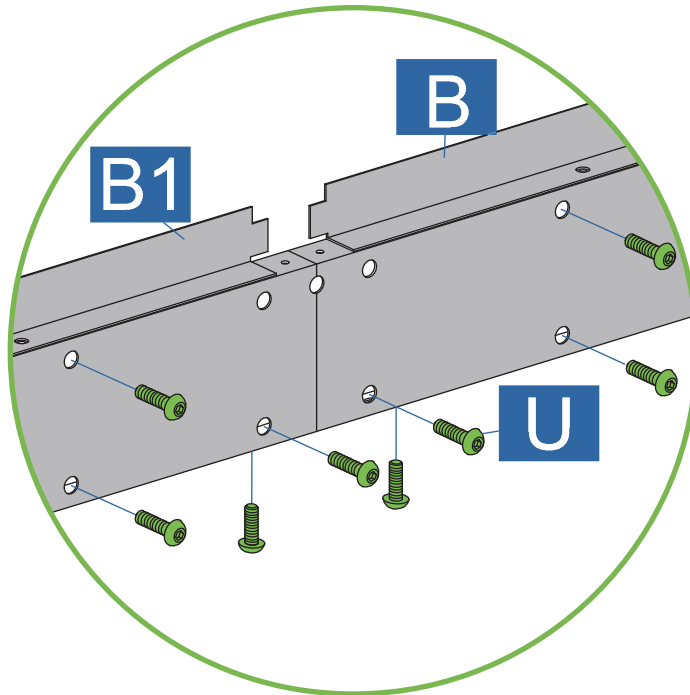
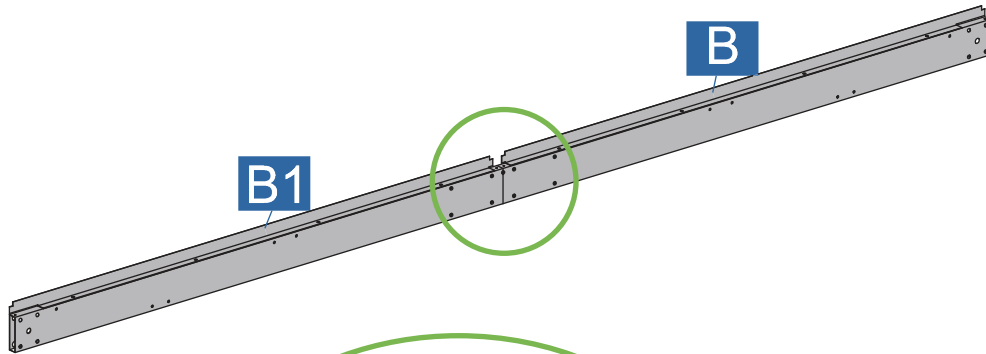
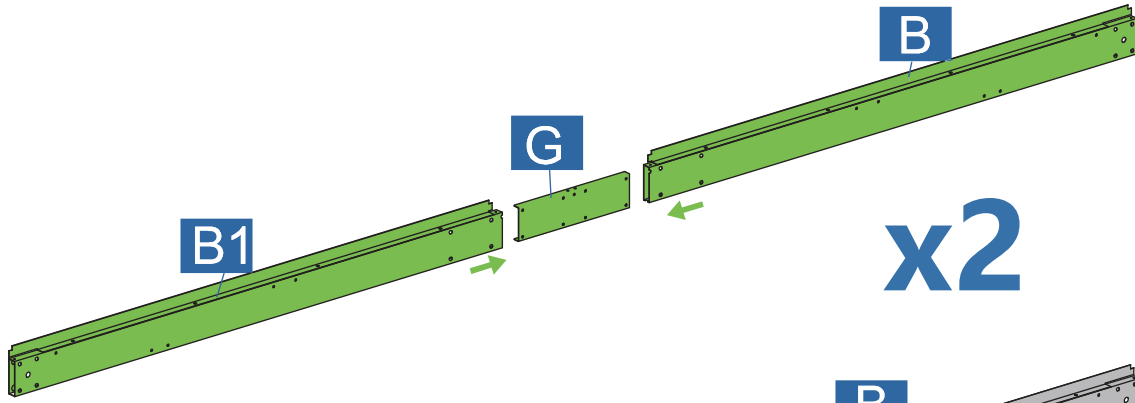
B1 x 2



G x 2



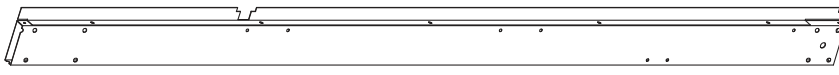
U x 16



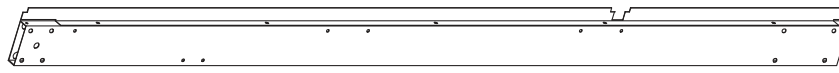
Following the illustrated steps, use 8 screws “U” to connect B1/G/B in the sequence shown.

Note: Please ensure all screw holes are properly aligned before installation. Repeat the above steps for the remaining sections.

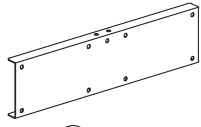
3



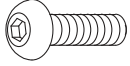
C x 2



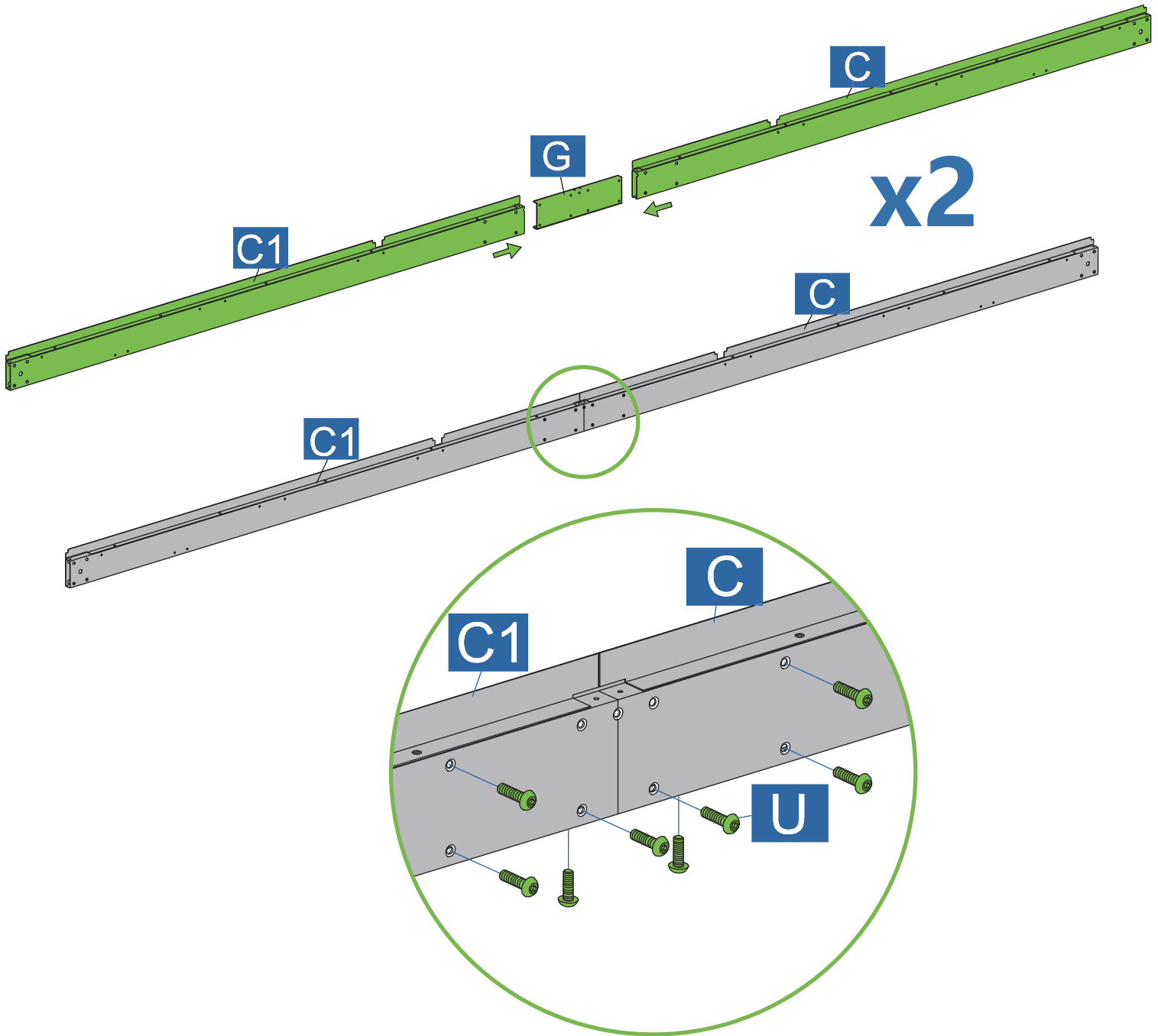
C1 x 2



G x 2

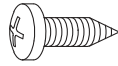
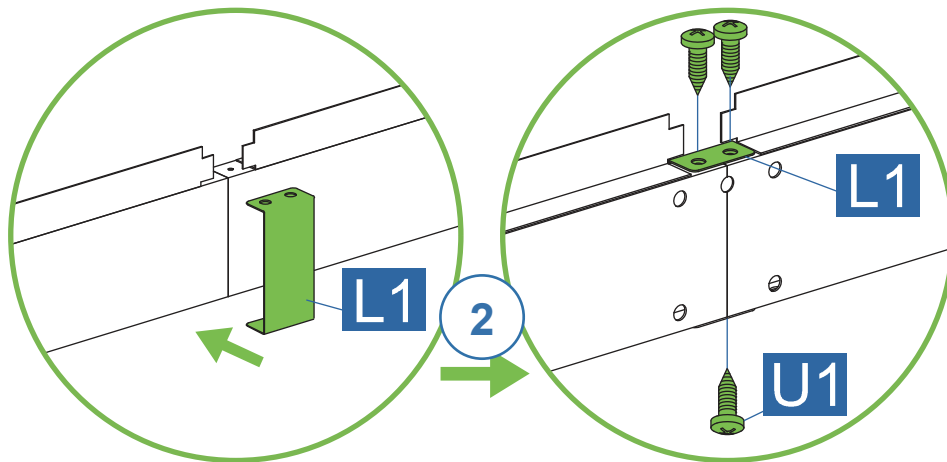
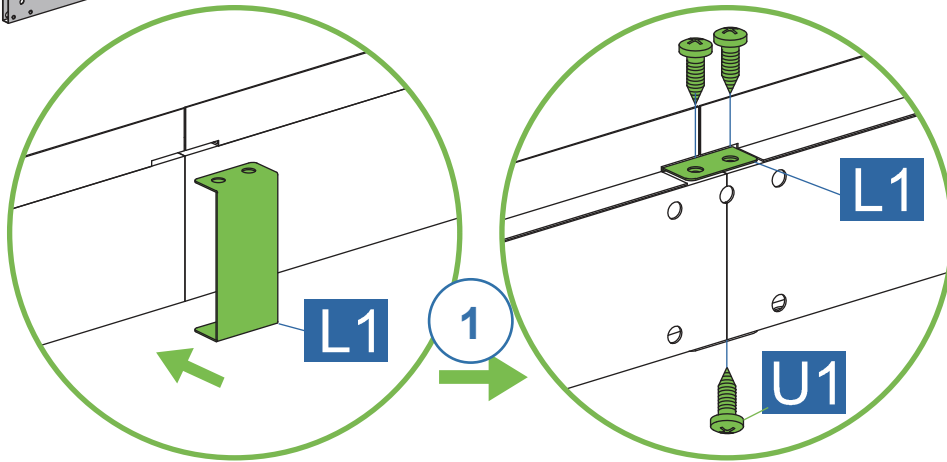
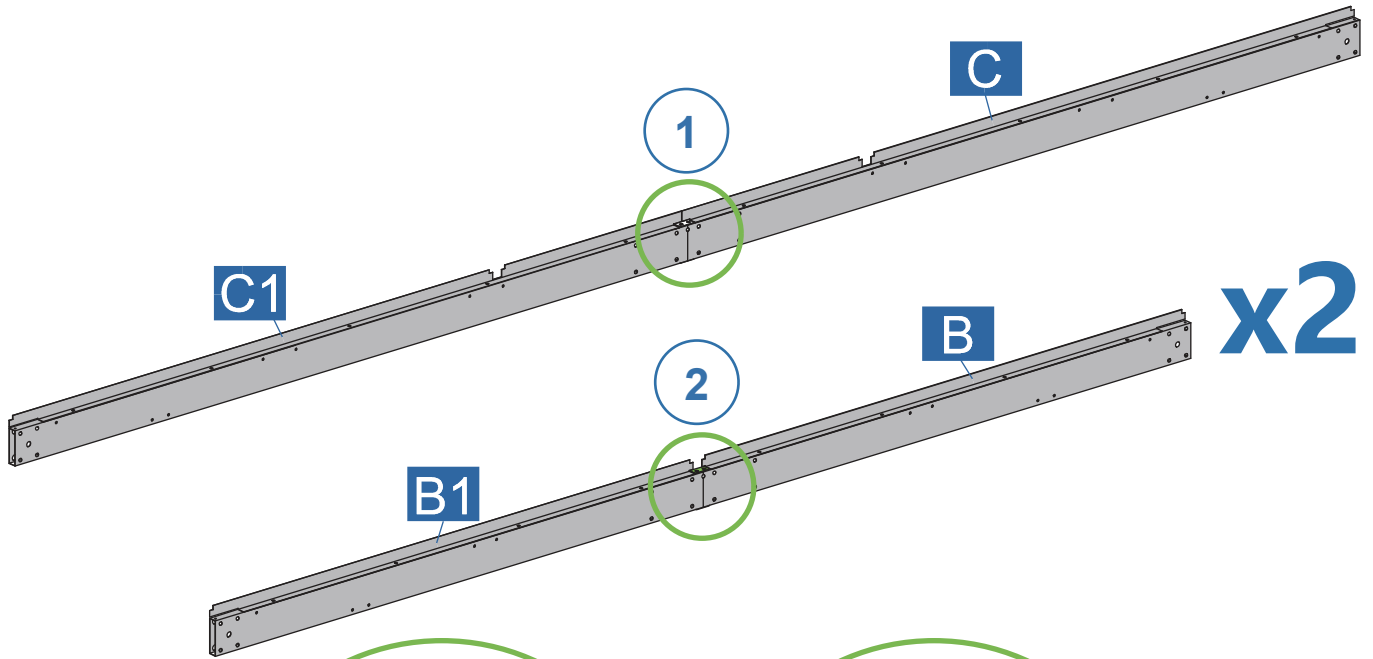


U x 16



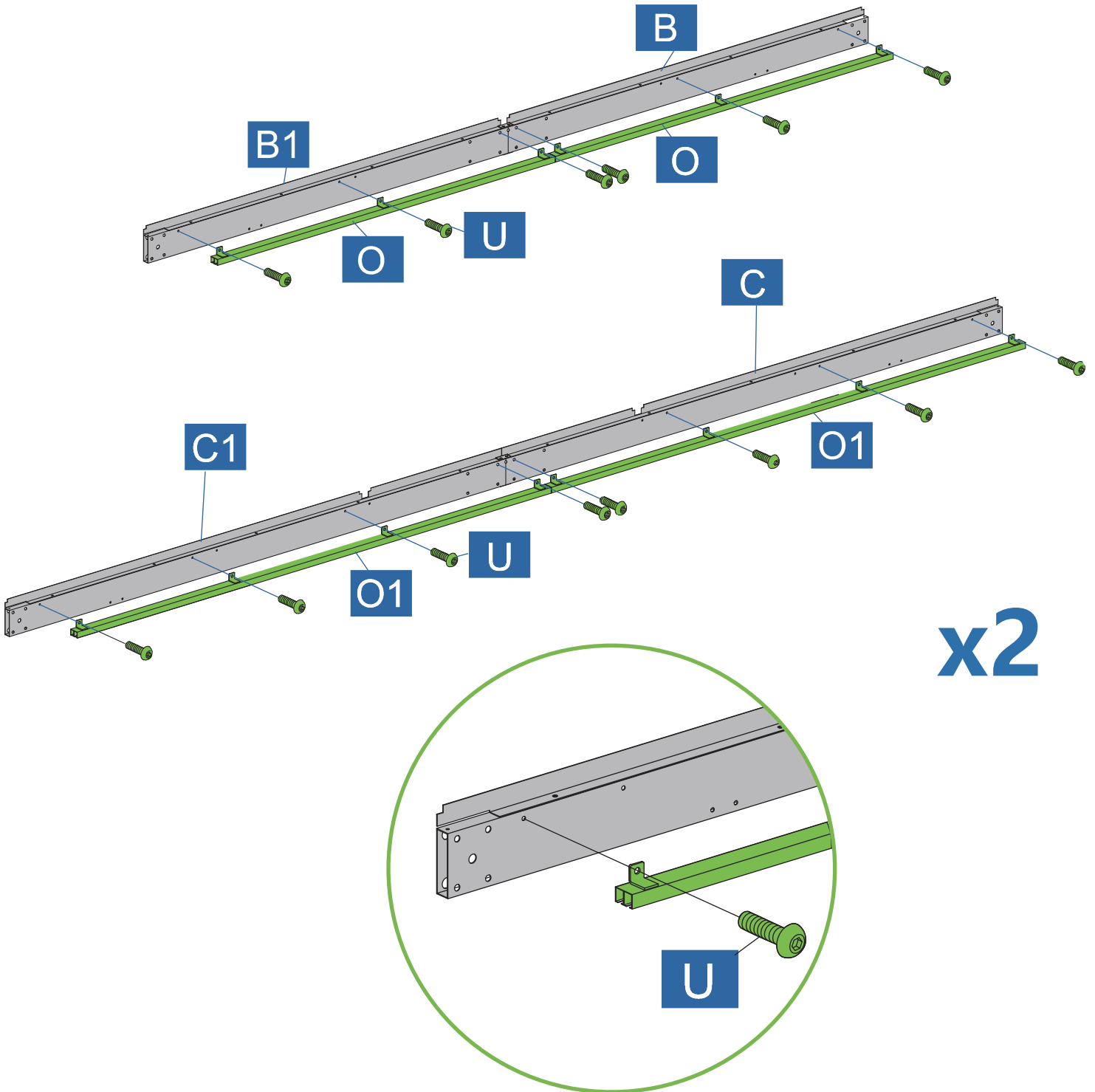
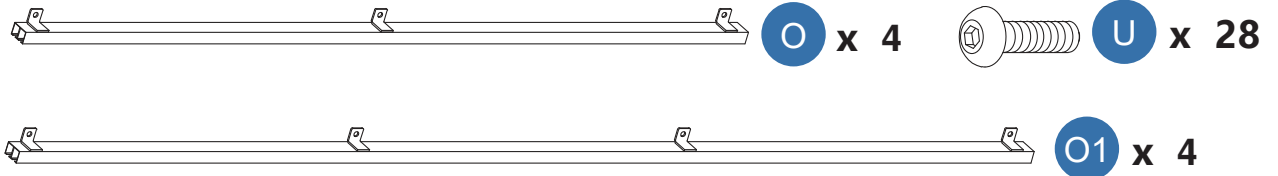
Following the illustrated steps, use 8 screws “U” to connect C1/G/C in the sequence shown.

Note: Please ensure all screw holes are properly aligned before installation. Repeat the above steps for the remaining sections.

4**L1** x 4**U1** x 12

As shown in the diagram, install L1 at the assembled seam between B1-B/C1-C assembled in Steps 2 and 3, and secure it with 3 "U1" screws. Note: Please ensure all screw holes are properly aligned before installation. Repeat the above steps for the remaining sections.

5

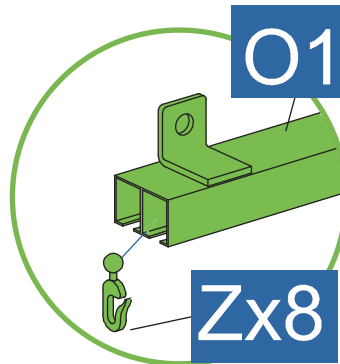
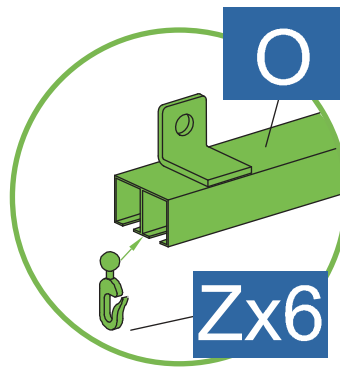
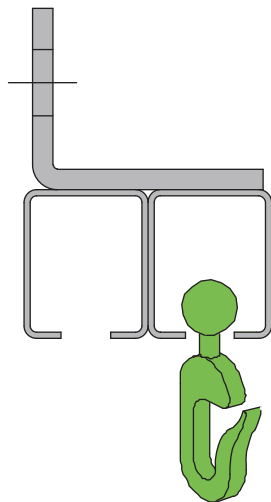
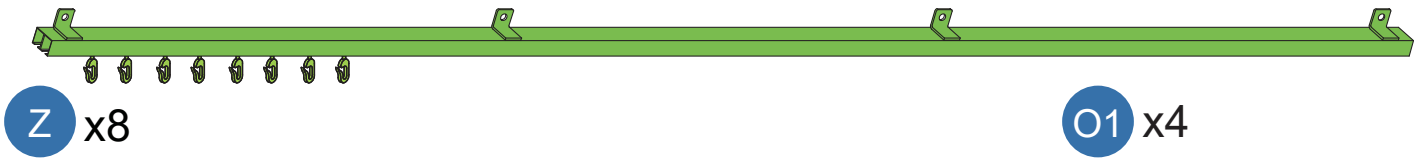
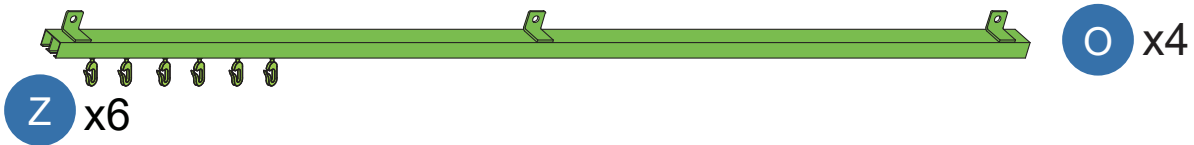


Connect O to B1/B using 6 "U" screws , and O1 to C1/C using 8 "U" screws.

6

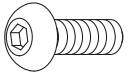


Z x 56

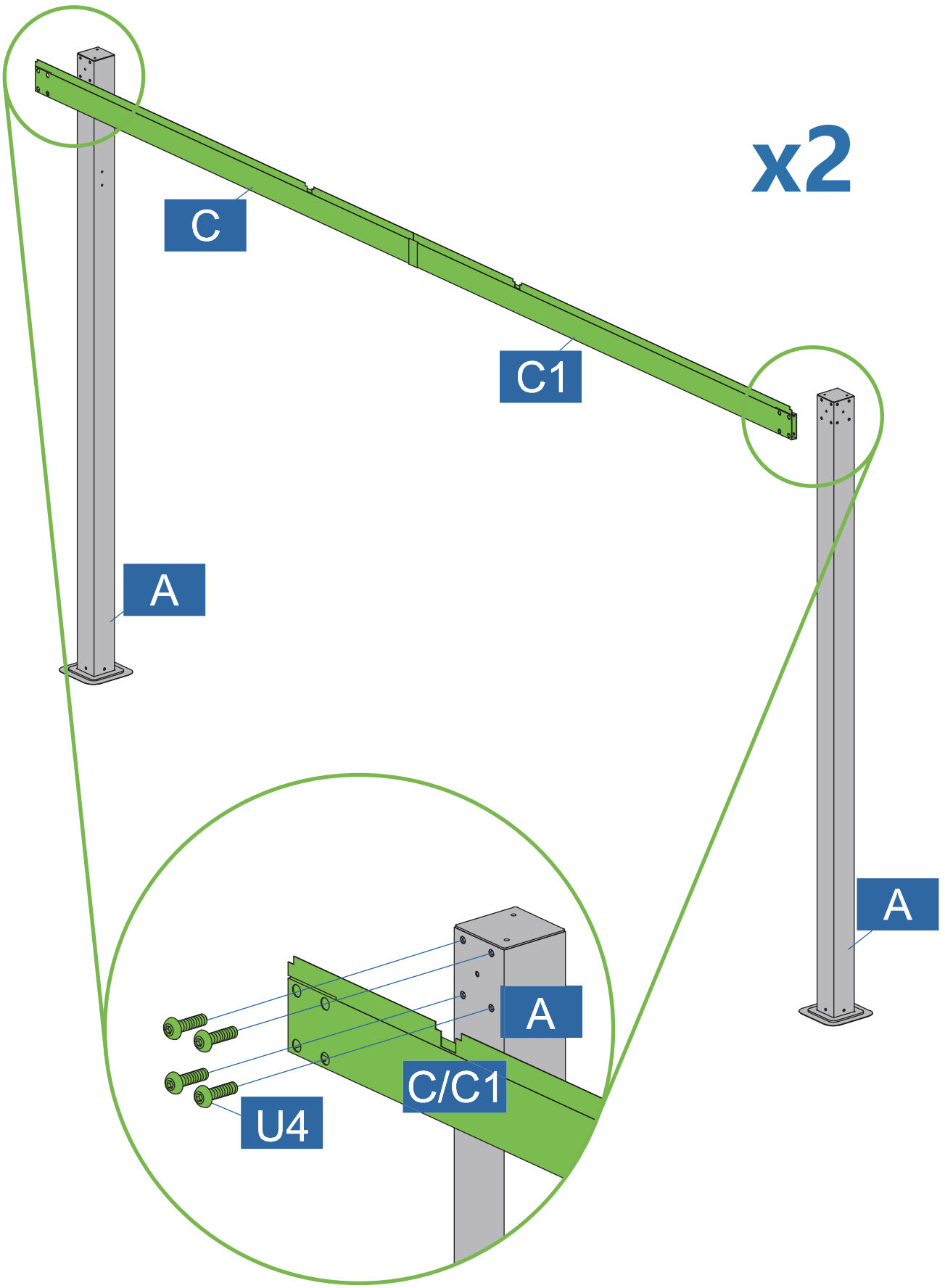


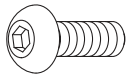
Insert hooks "Z" in the quantity shown. Note: Insert the hooks into the outer track.

7

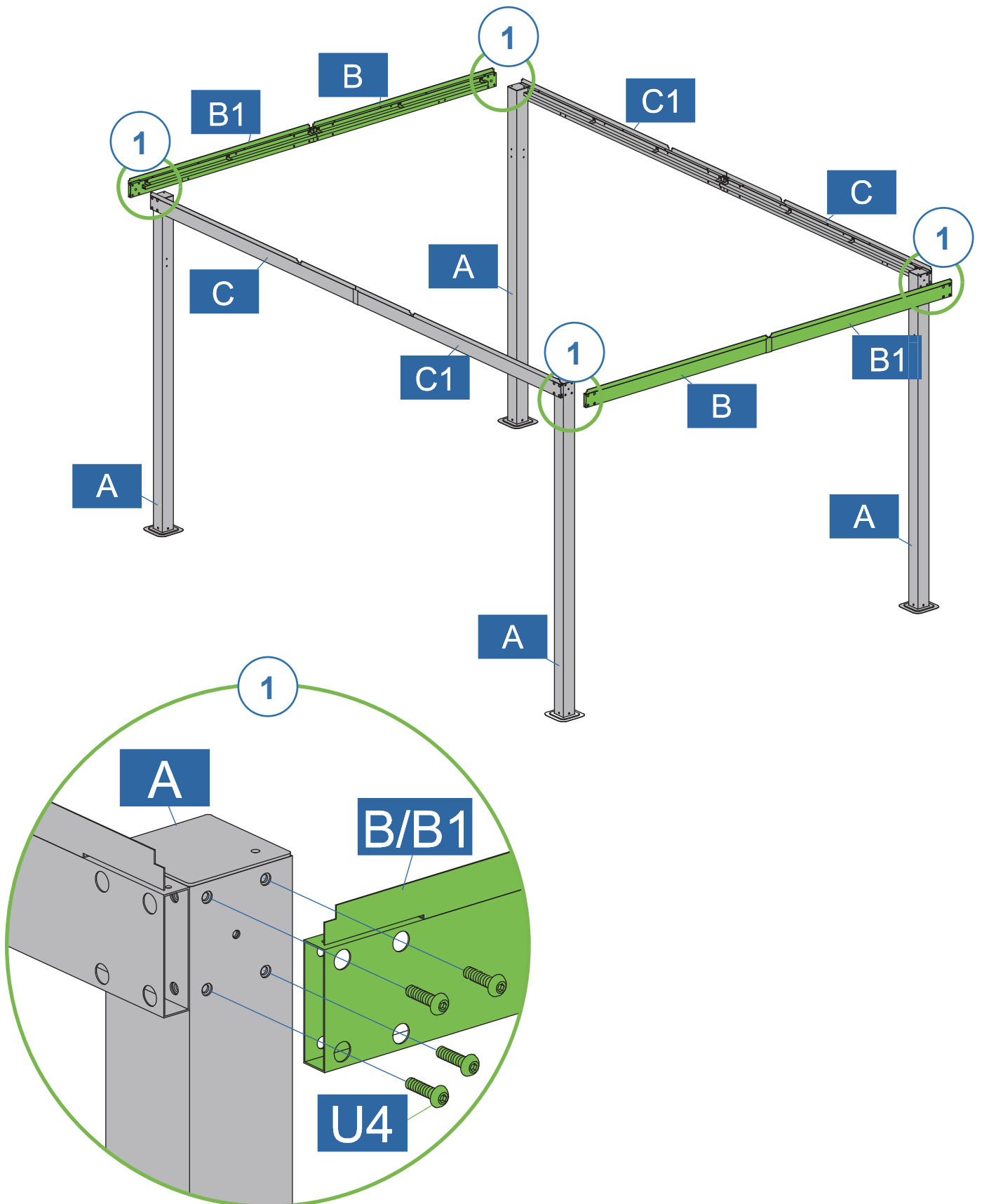


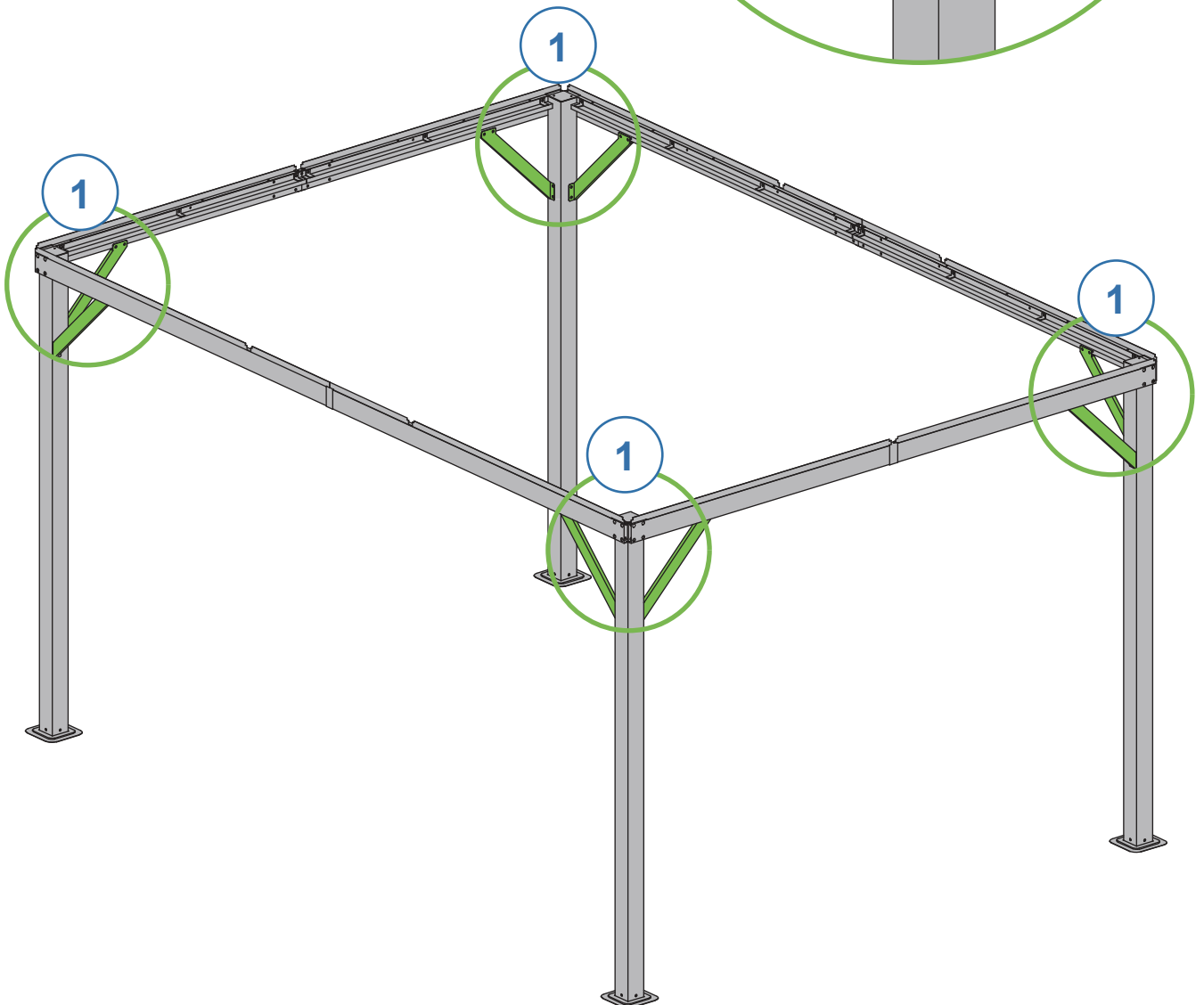
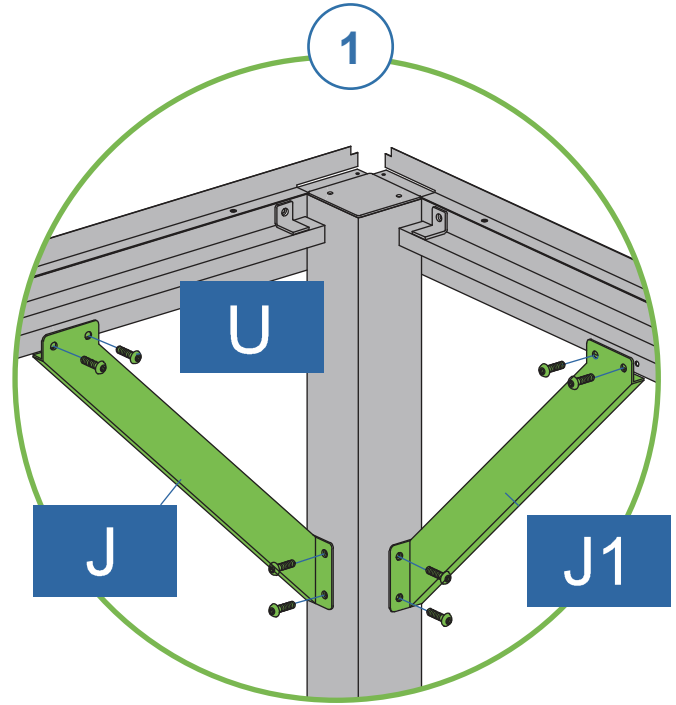
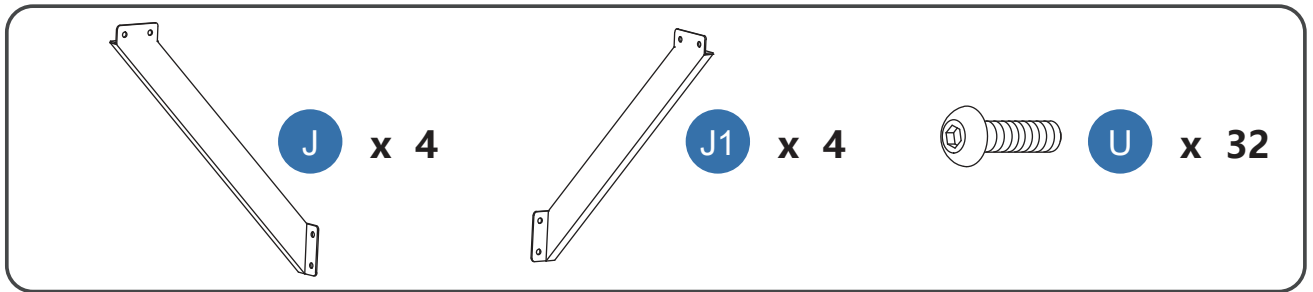
U4 x 16



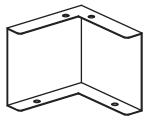


U4 x 16

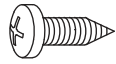




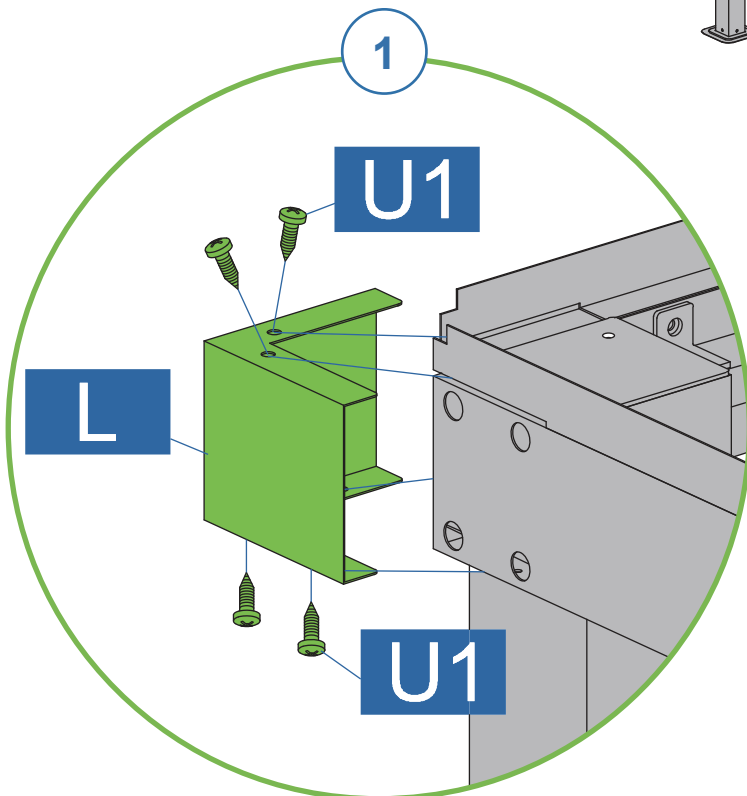
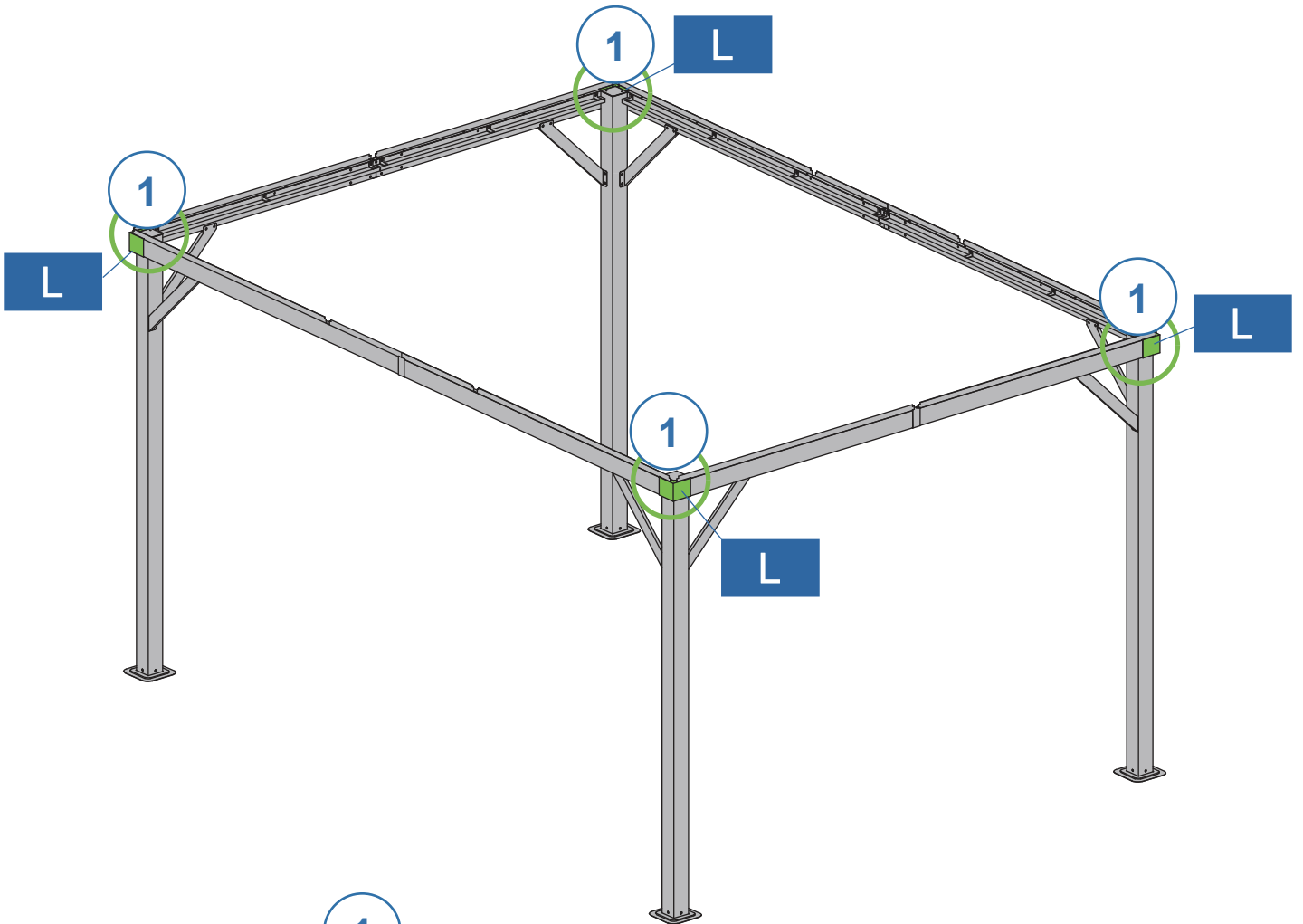
10

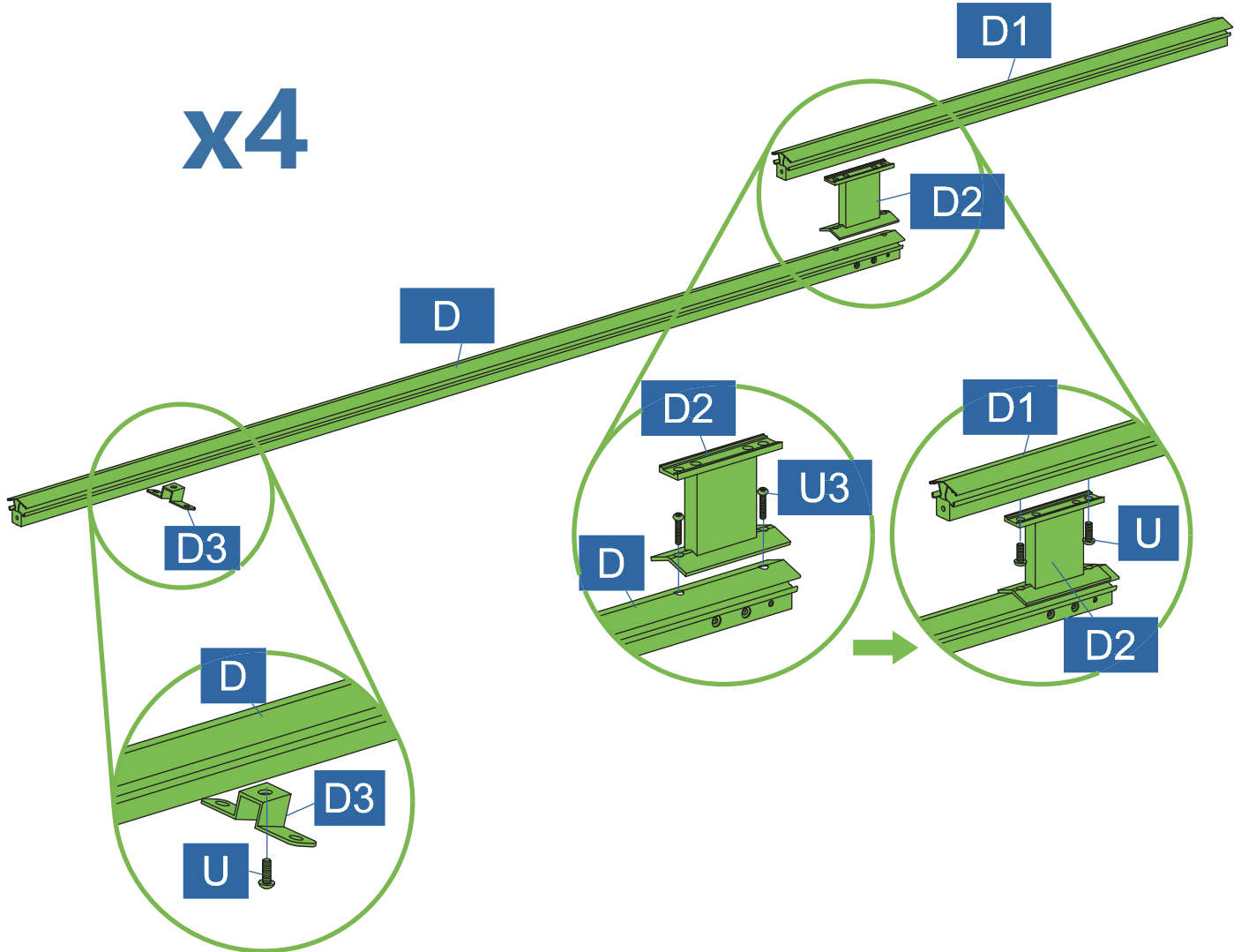
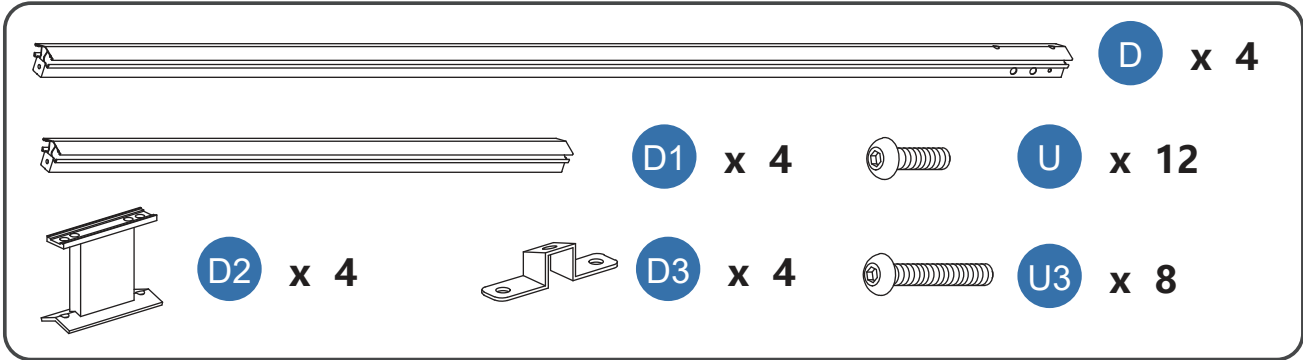


L x 4

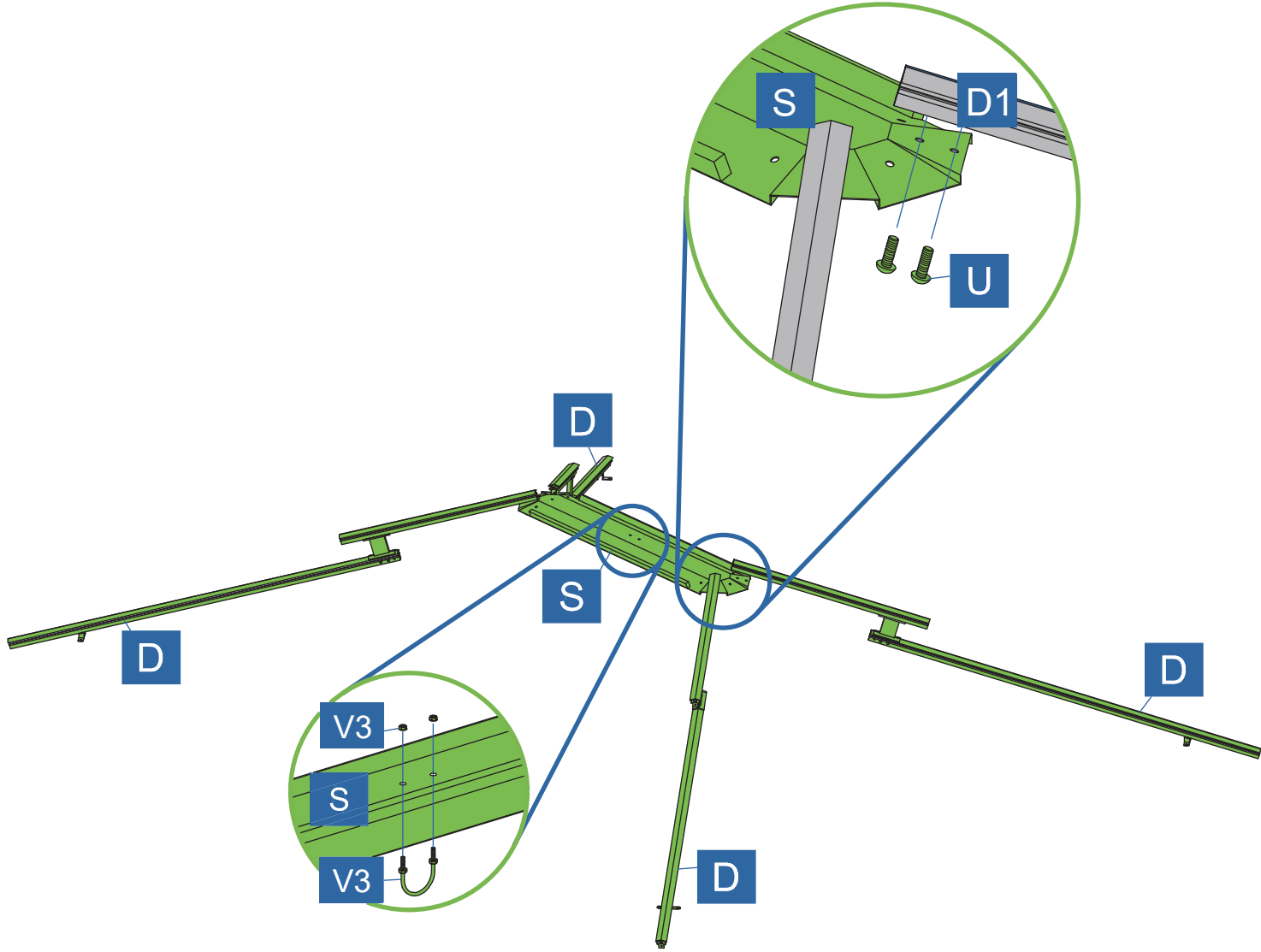
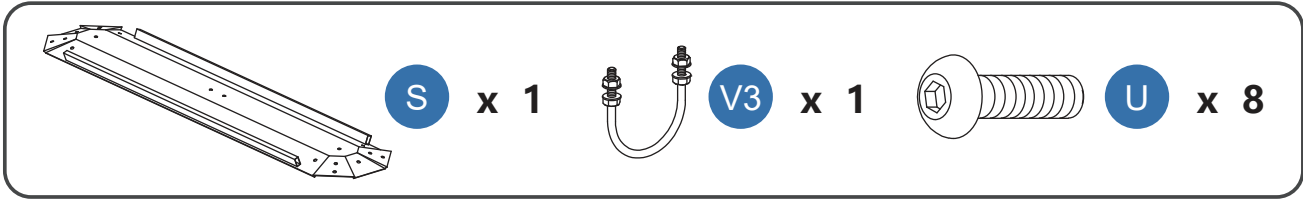


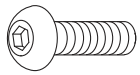
U1 x 16





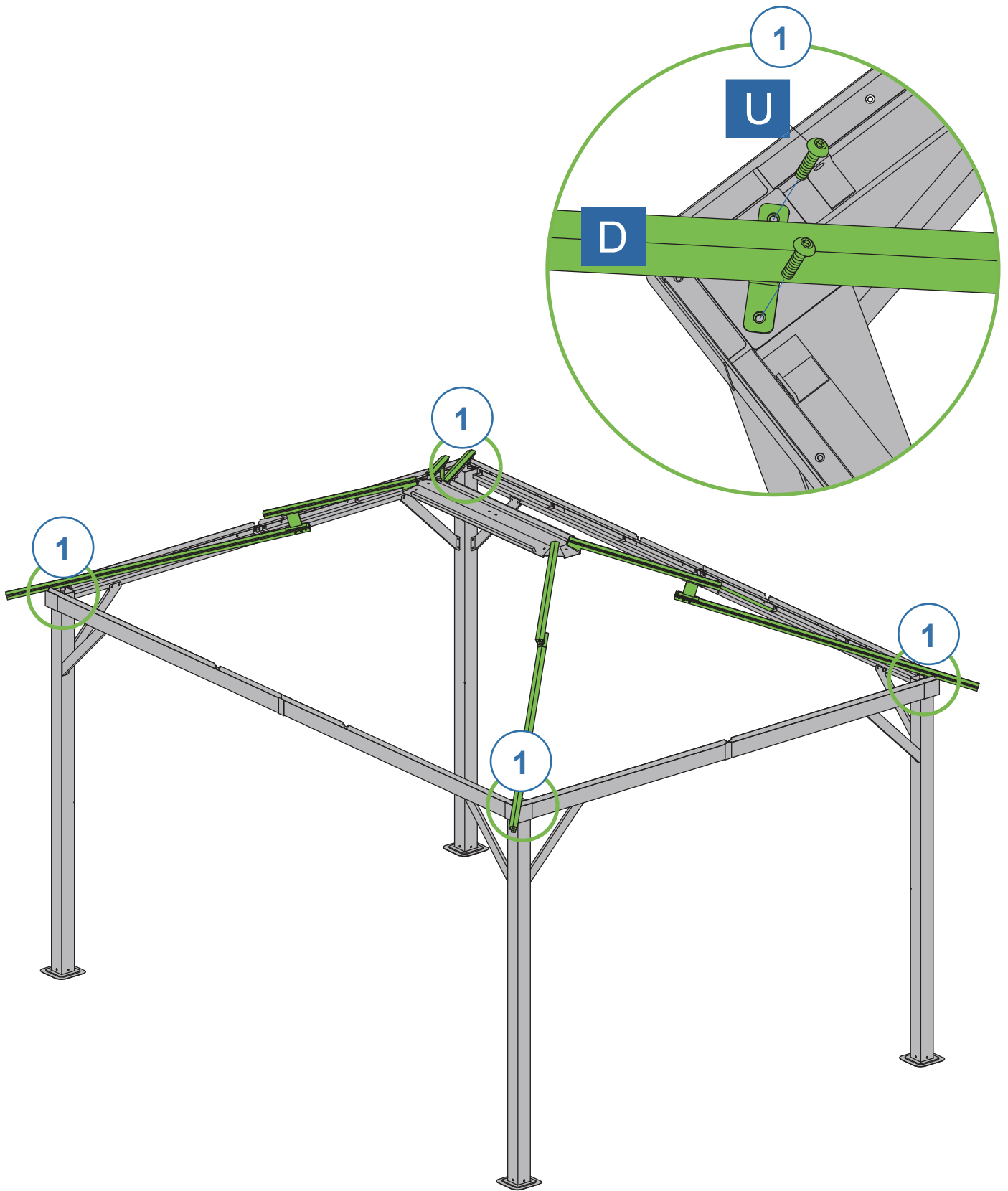
12

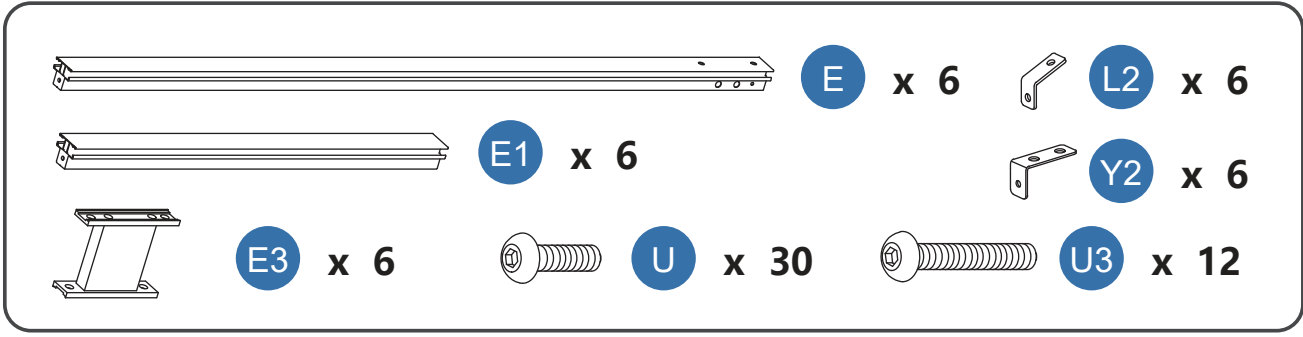




U

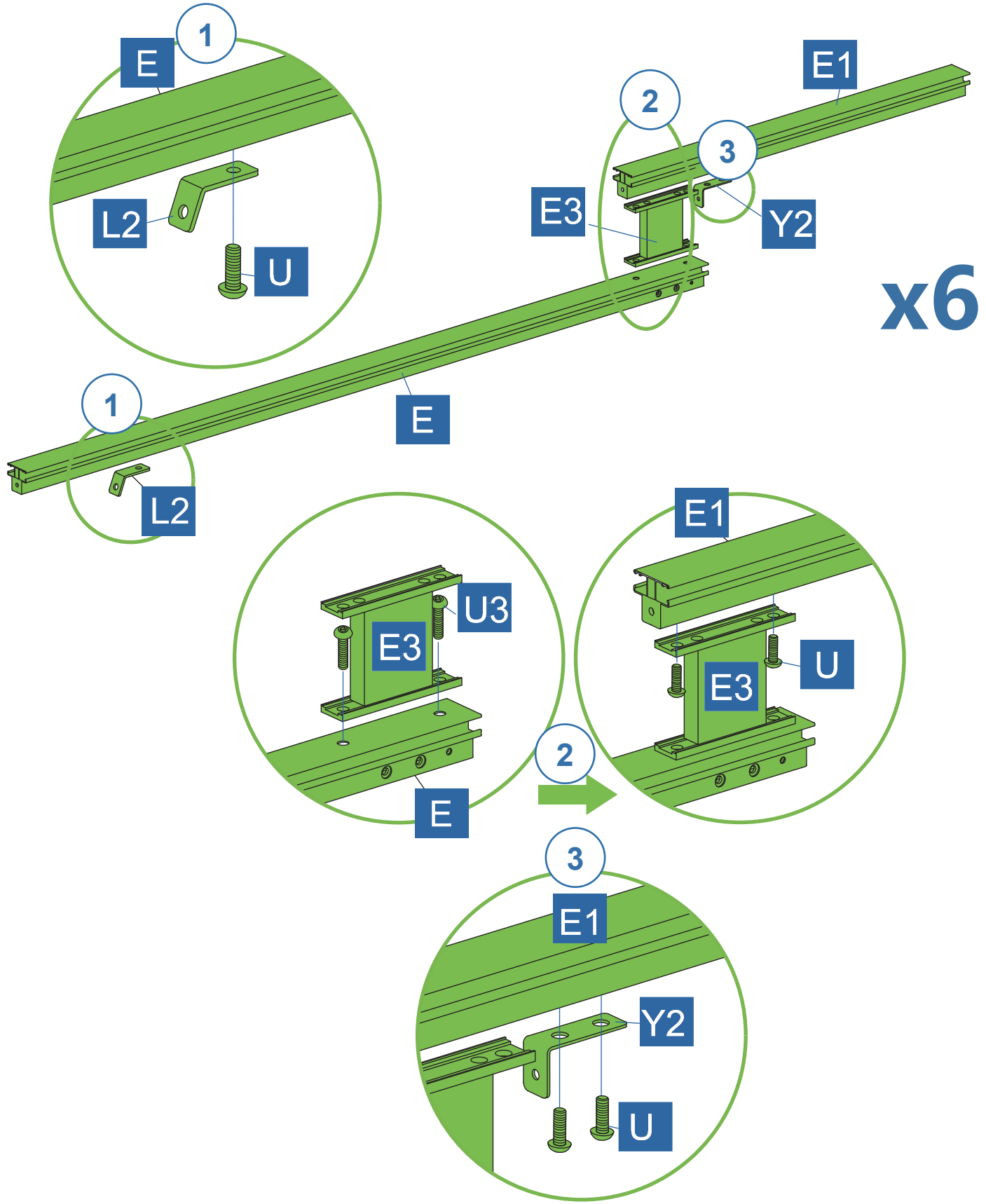
x 8

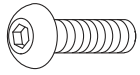




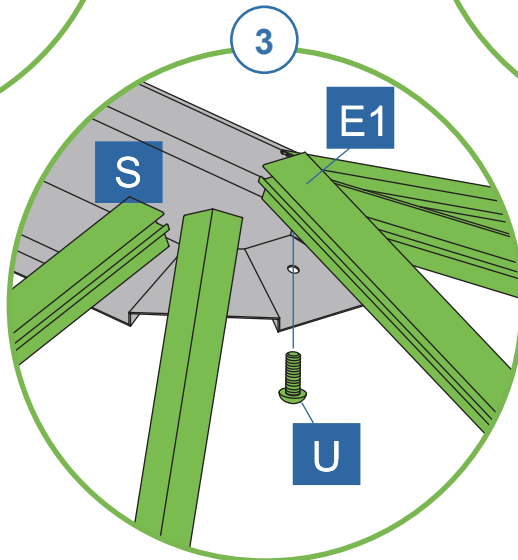
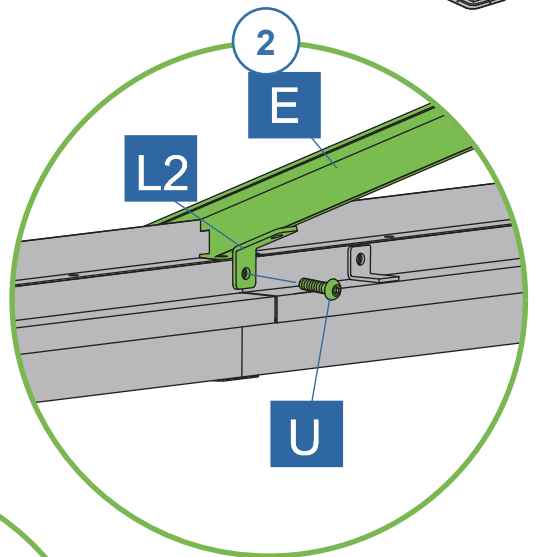
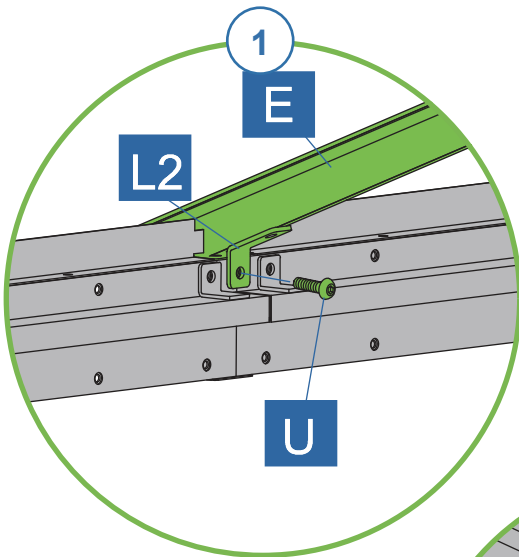
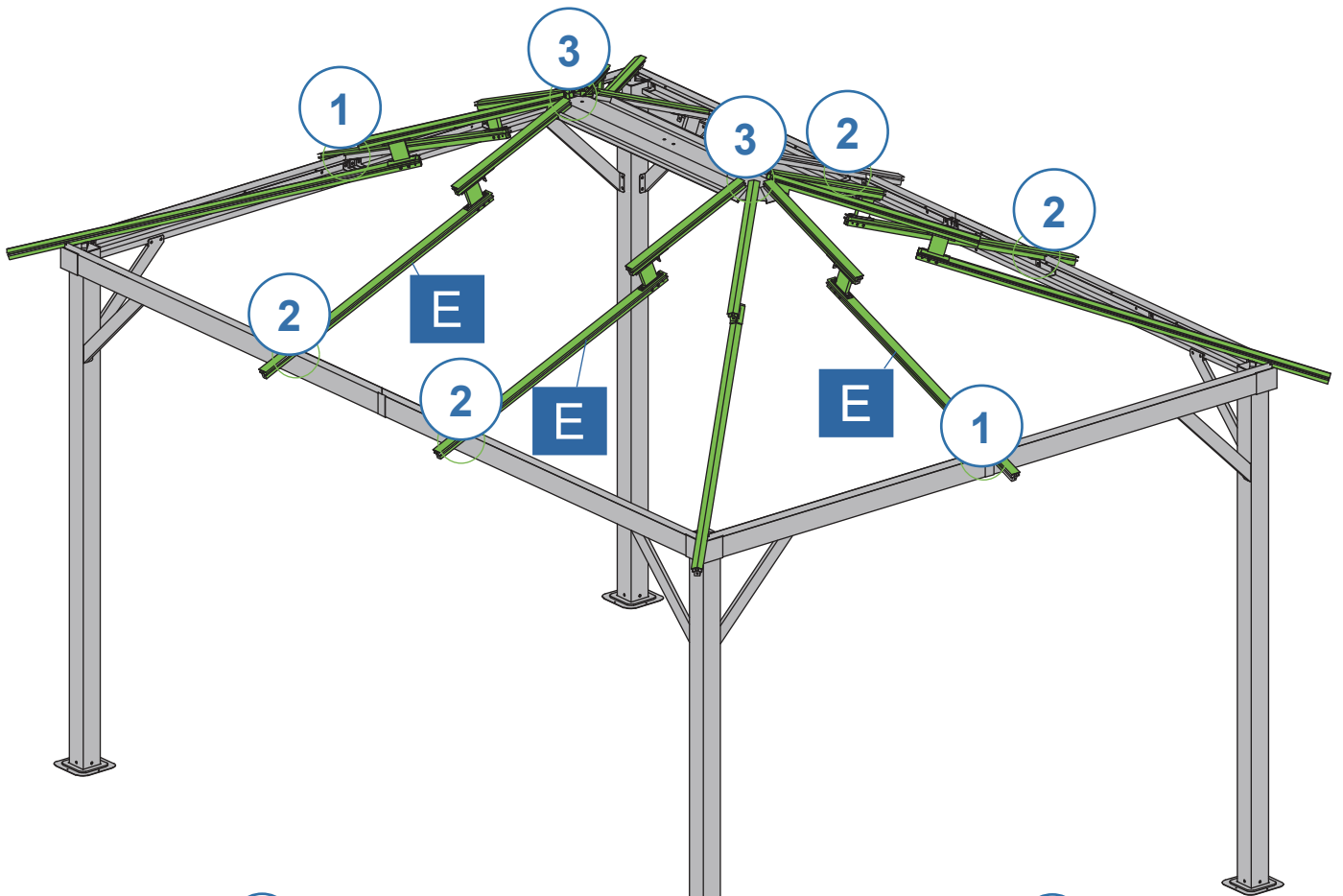
Parts list for step 14:

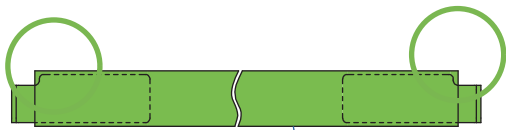
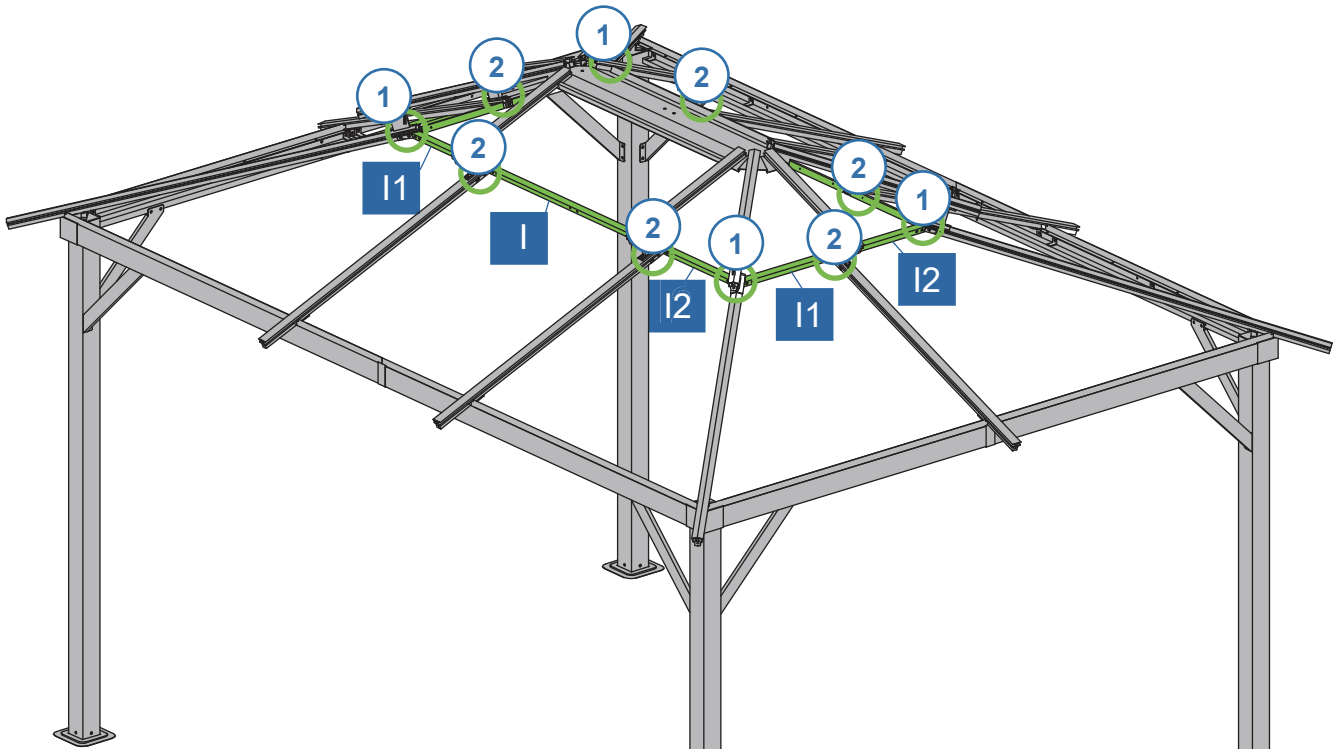
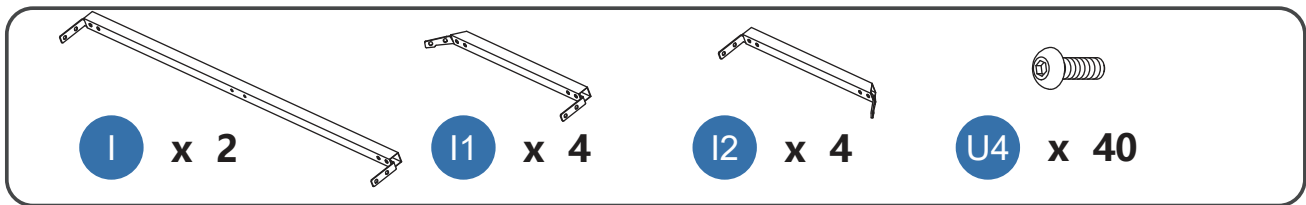
- E x 6
- L2 x 6
- E1 x 6
- Y2 x 6
- E3 x 6
- U x 30
- U3 x 12





U x 12

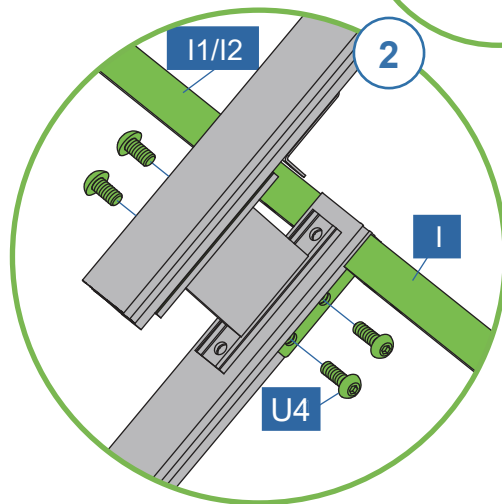
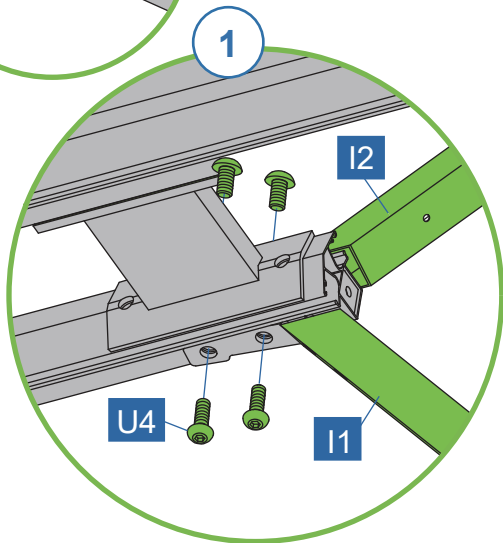
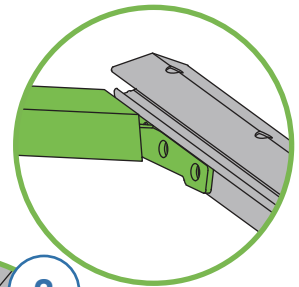
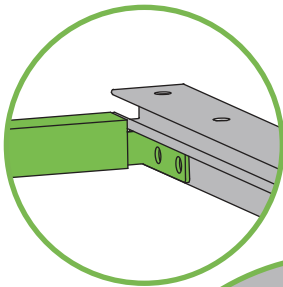




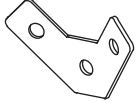
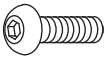
I

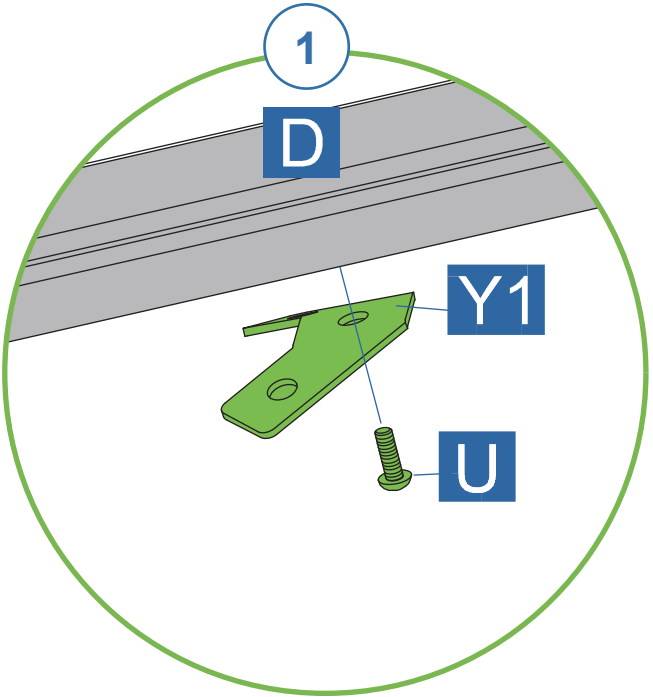
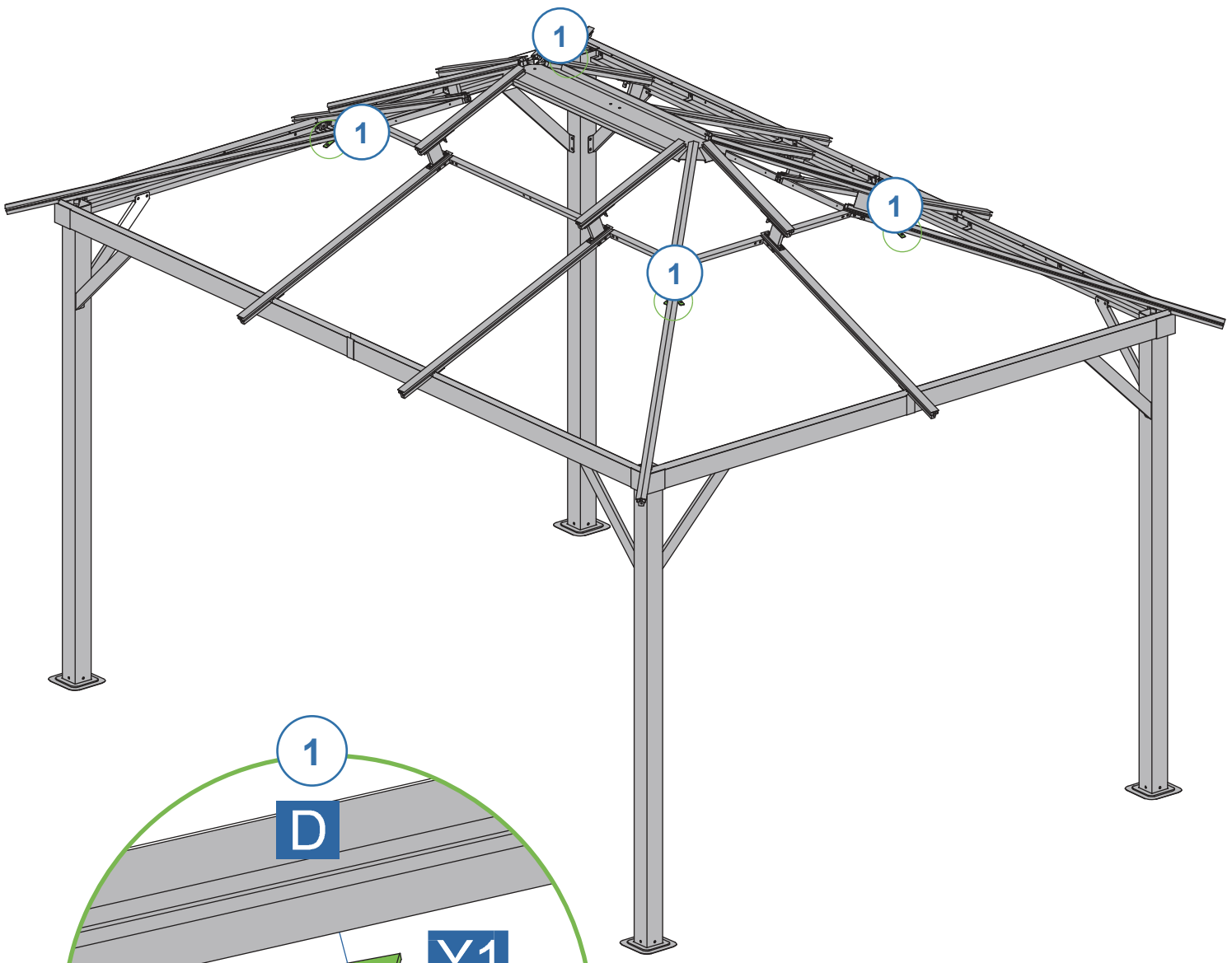


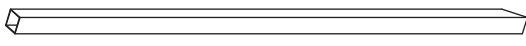

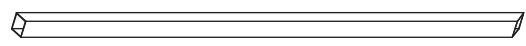
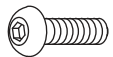
I1/2

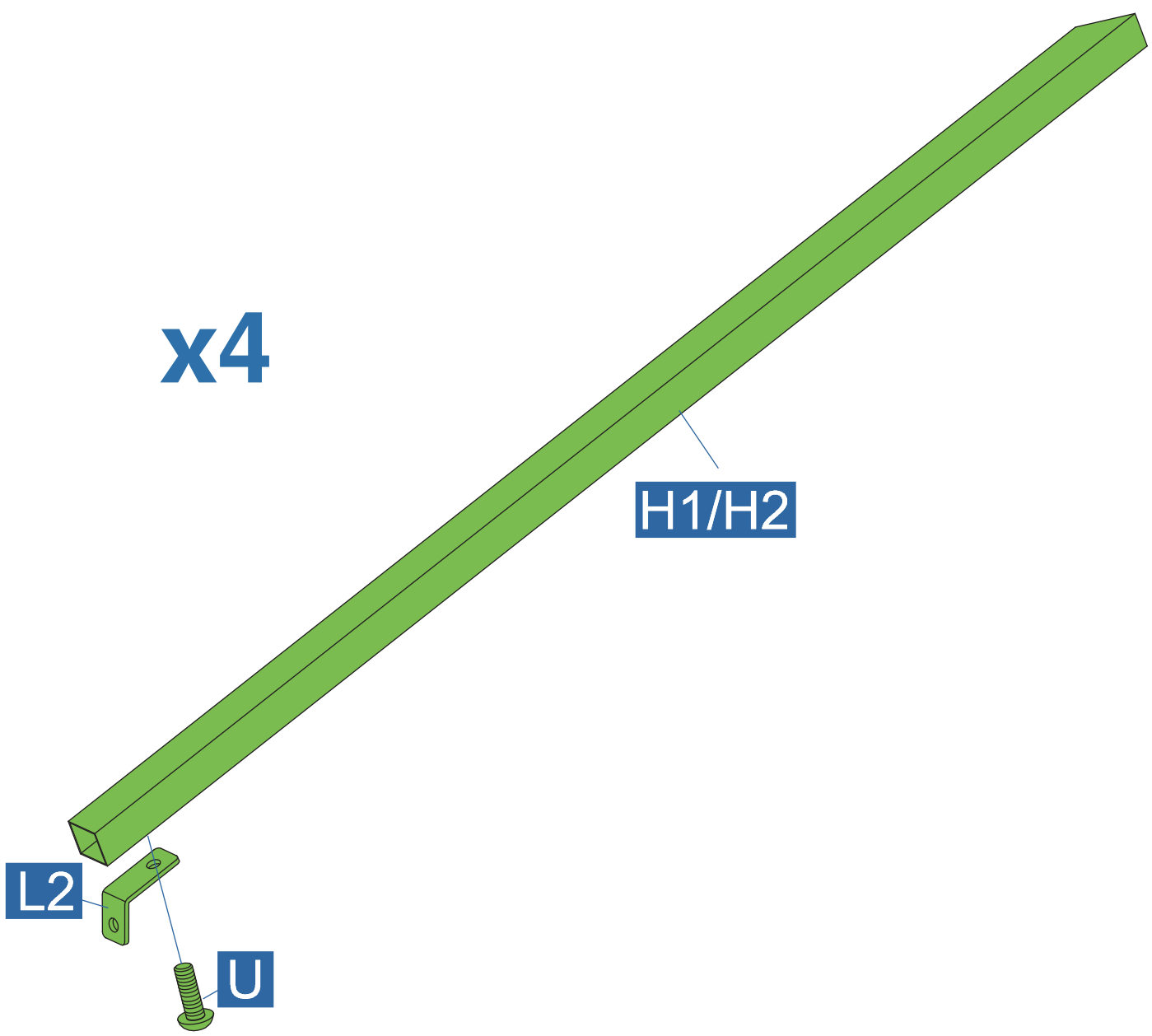


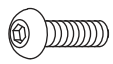
As shown in the illustration, when assembling I1/I2, make sure the notched part of the green circle is facing upward.

 **Y1** x 4  **U** x 4



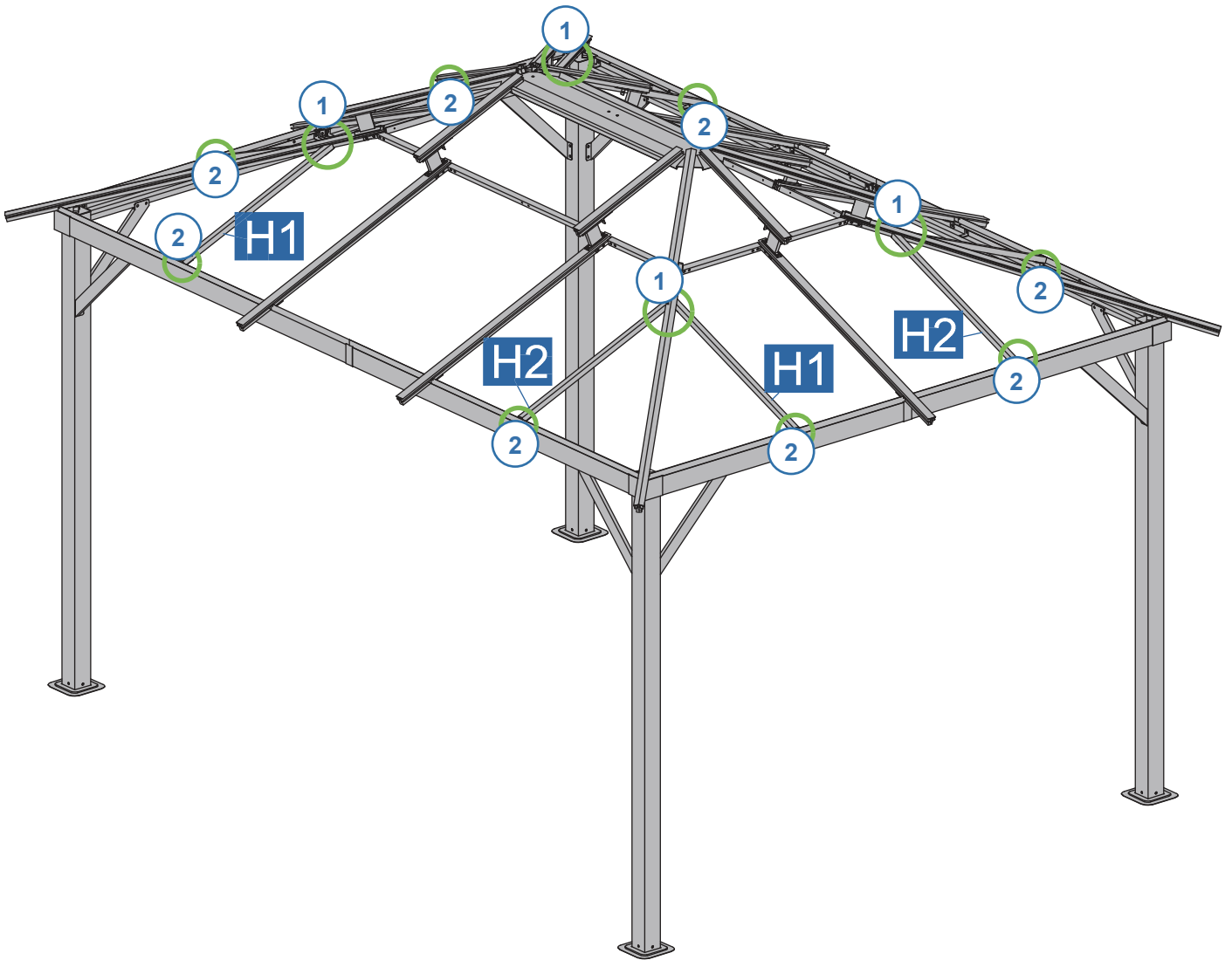
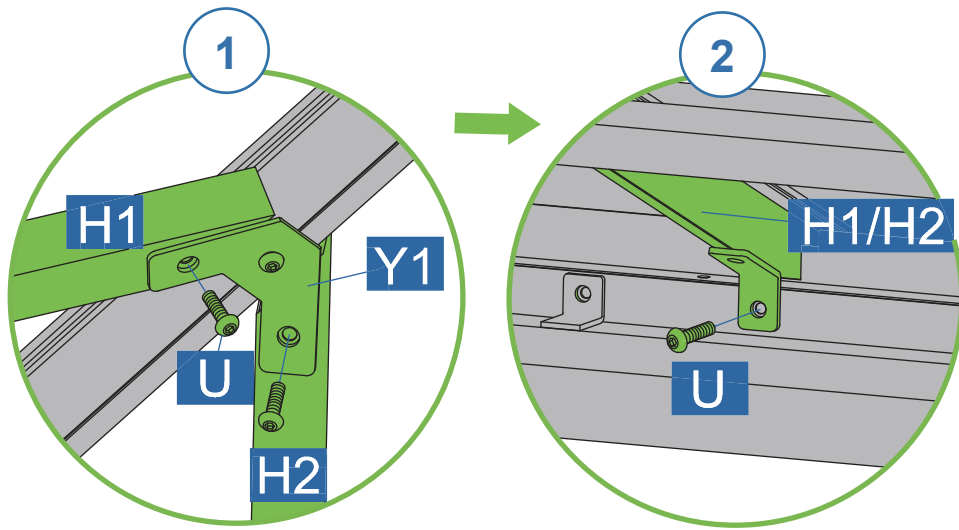
	H1 x 4		L2 x 8
	H2 x 4		U x 8

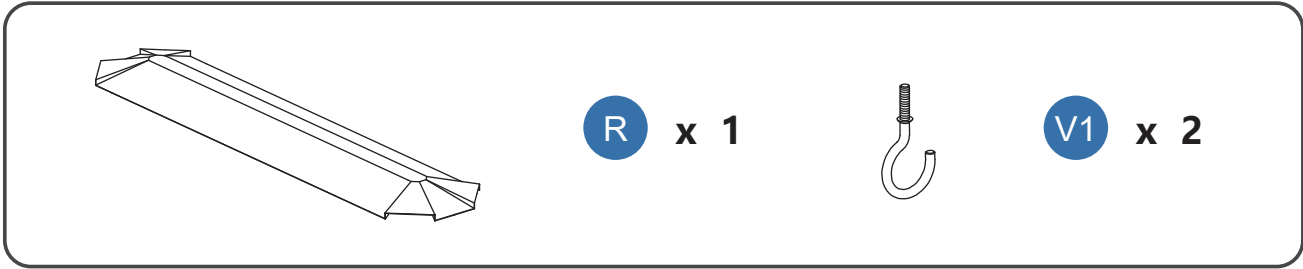




U

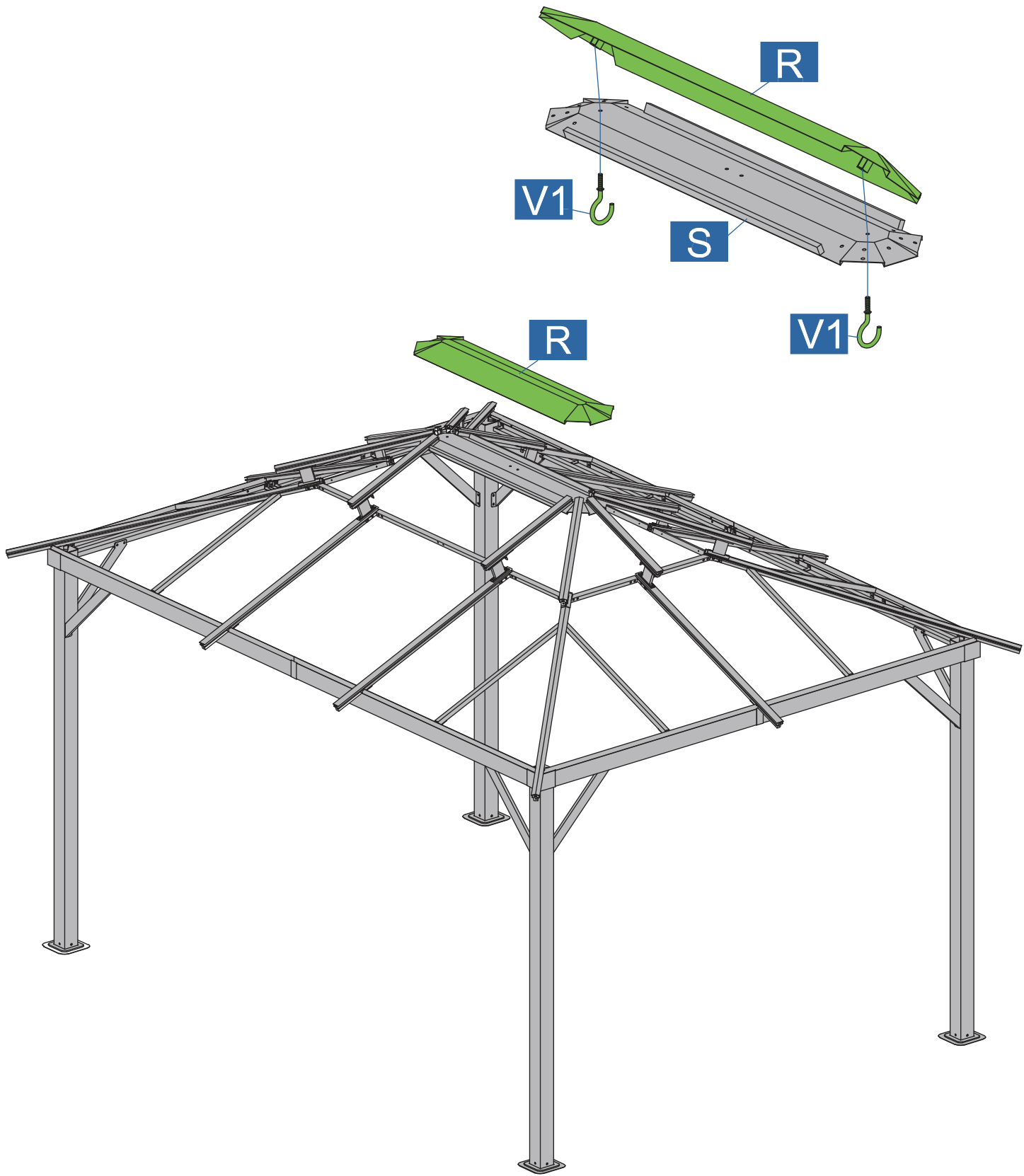
x 16

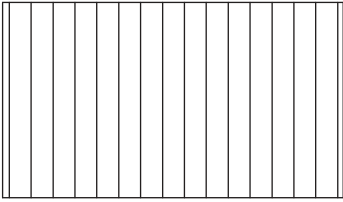
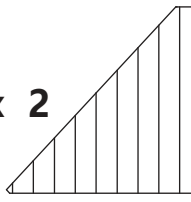
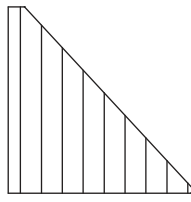
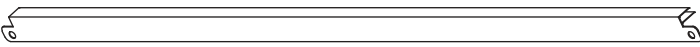

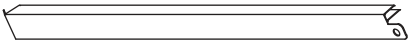


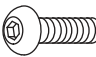


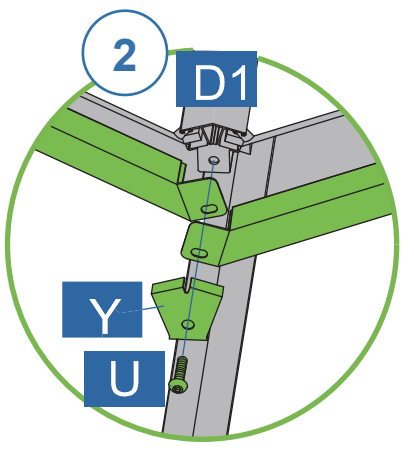
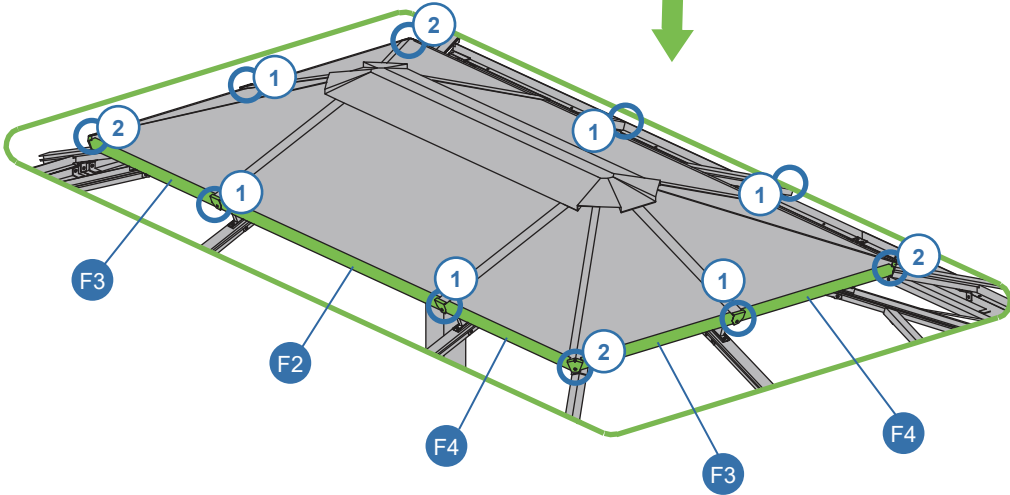
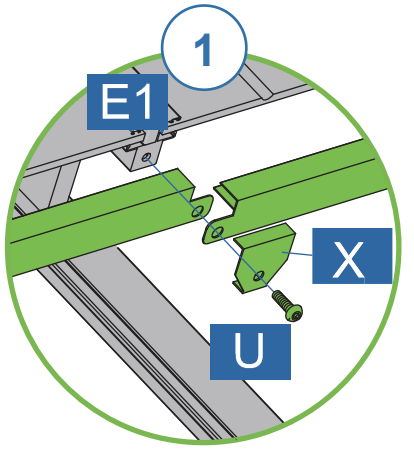
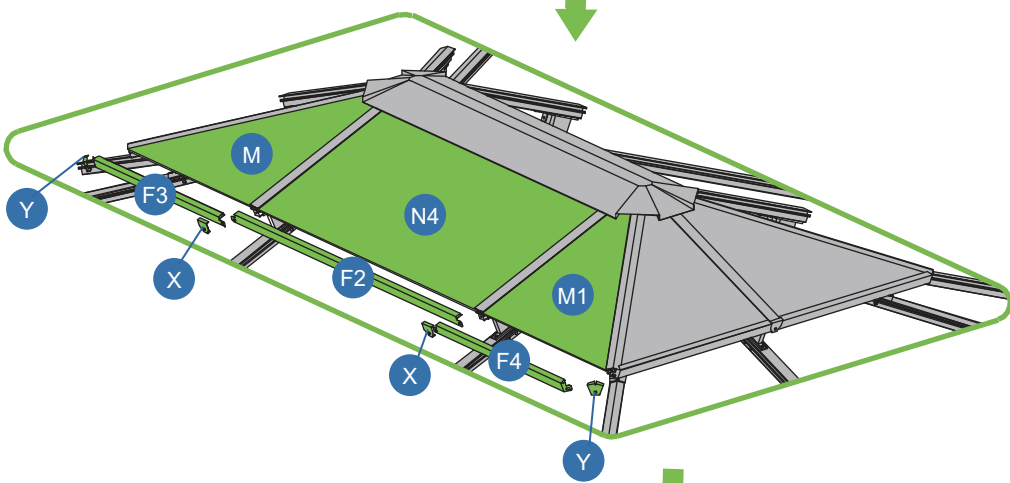
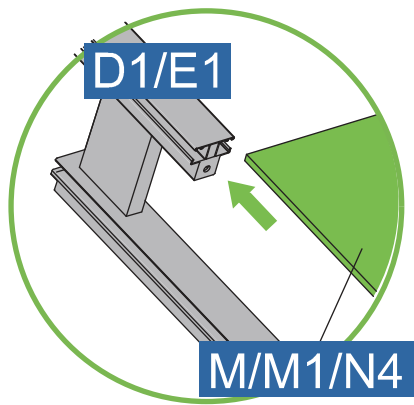
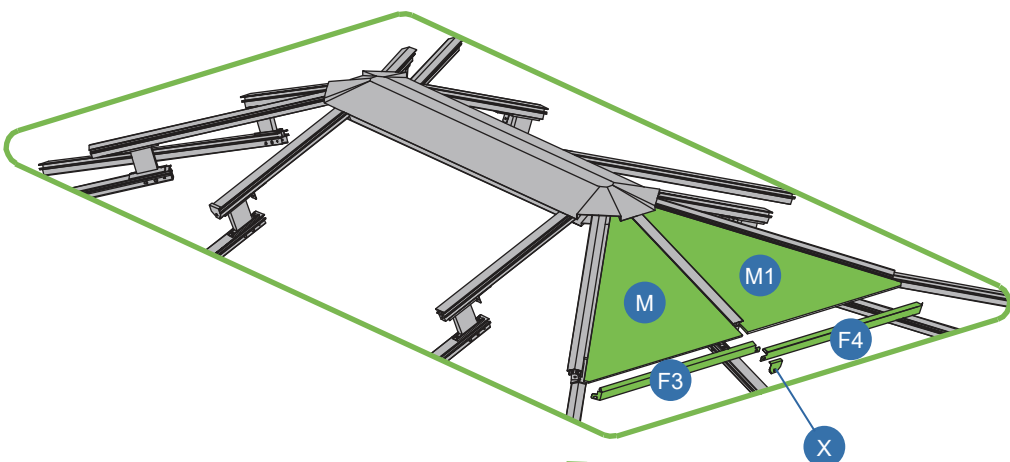


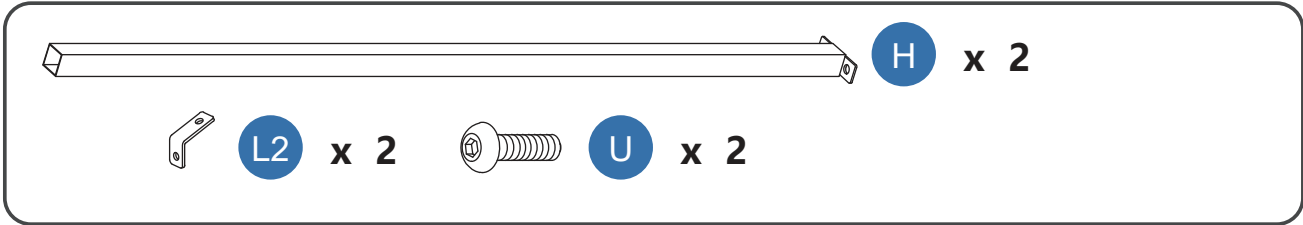
Parts list for step 20:

- Part R: 1 x 1
- Part V1: 2 x 2



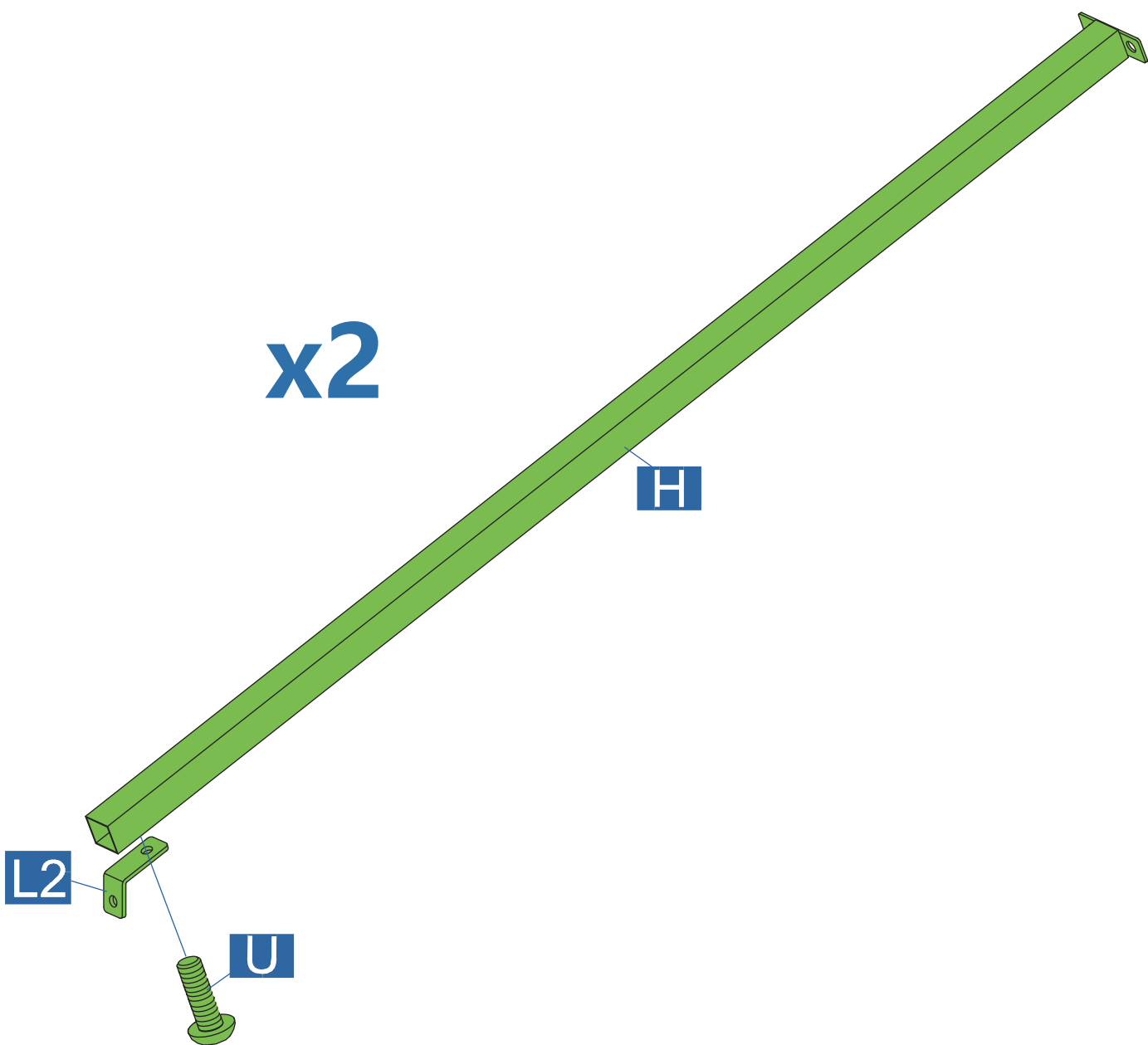
	N4 x 2		M x 4		M1 x 4
	F2 x 2		Y x 4		
	F3 x 4		X x 6		
	F4 x 4		U x 10		

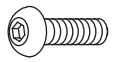




Parts list for step 22:

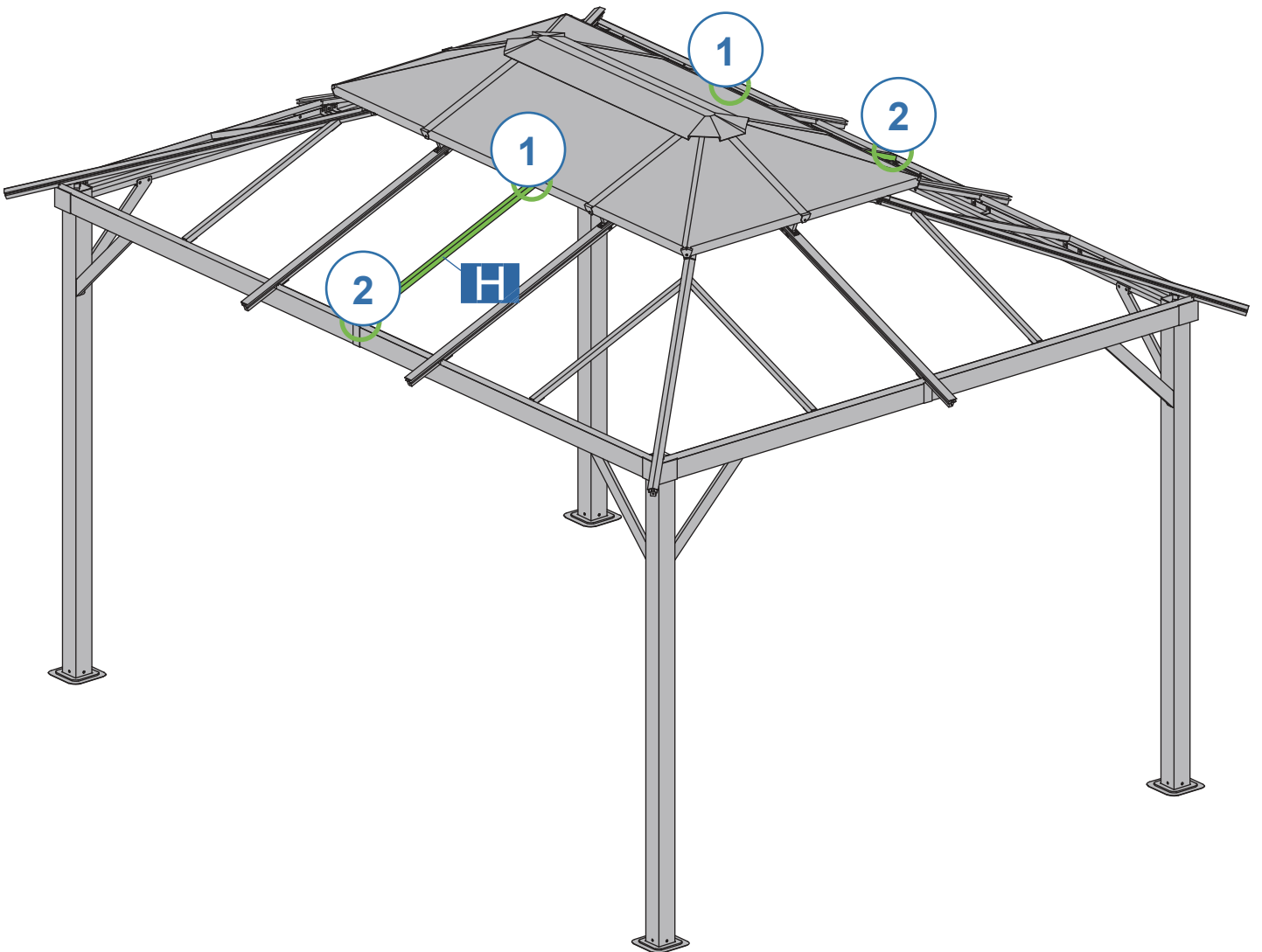
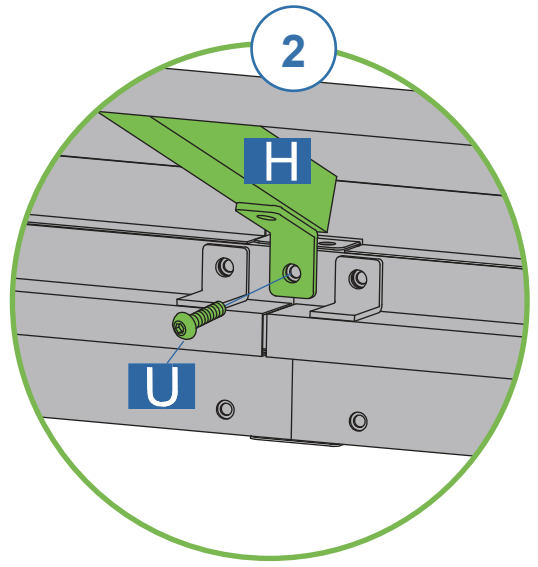
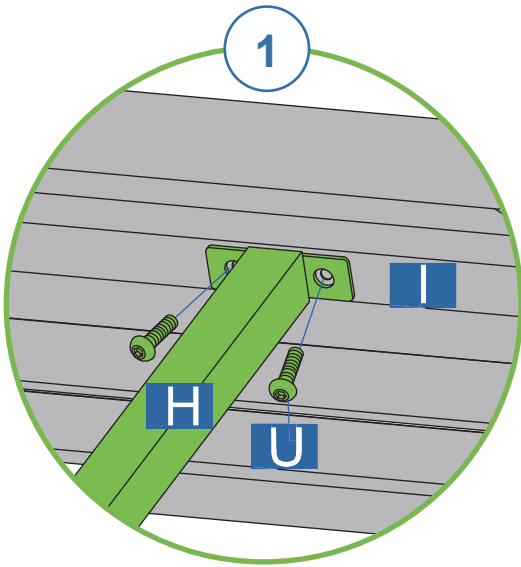
- H** x 2 (Long green extruded bar)
- L2** x 2 (L-shaped green bracket)
- U** x 2 (Green screw)

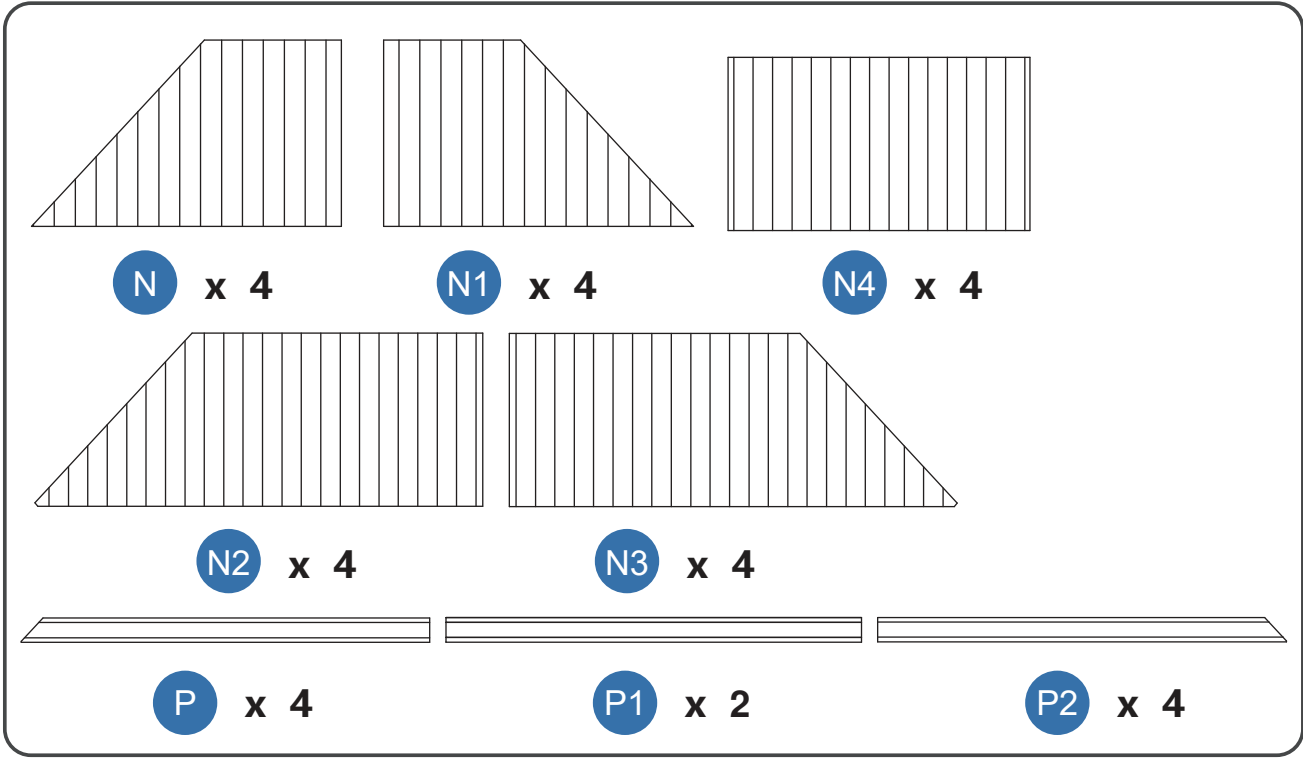




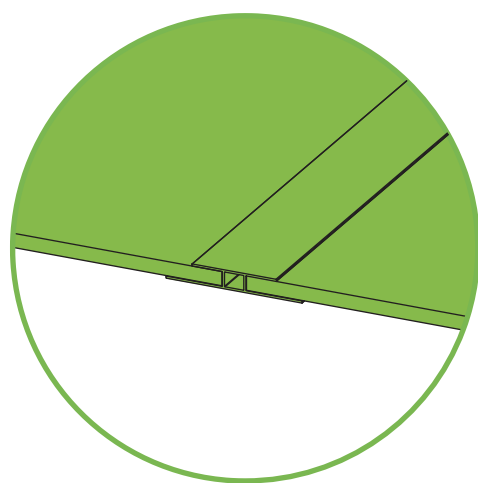
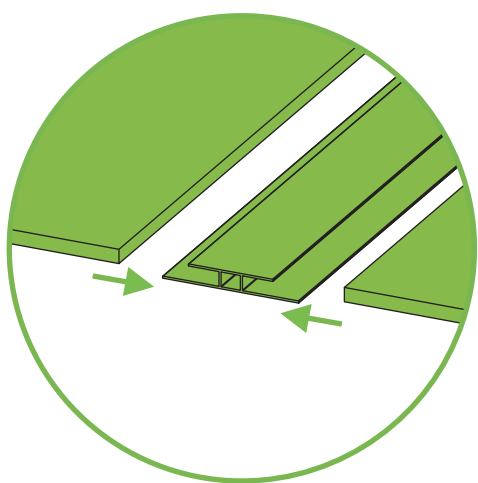
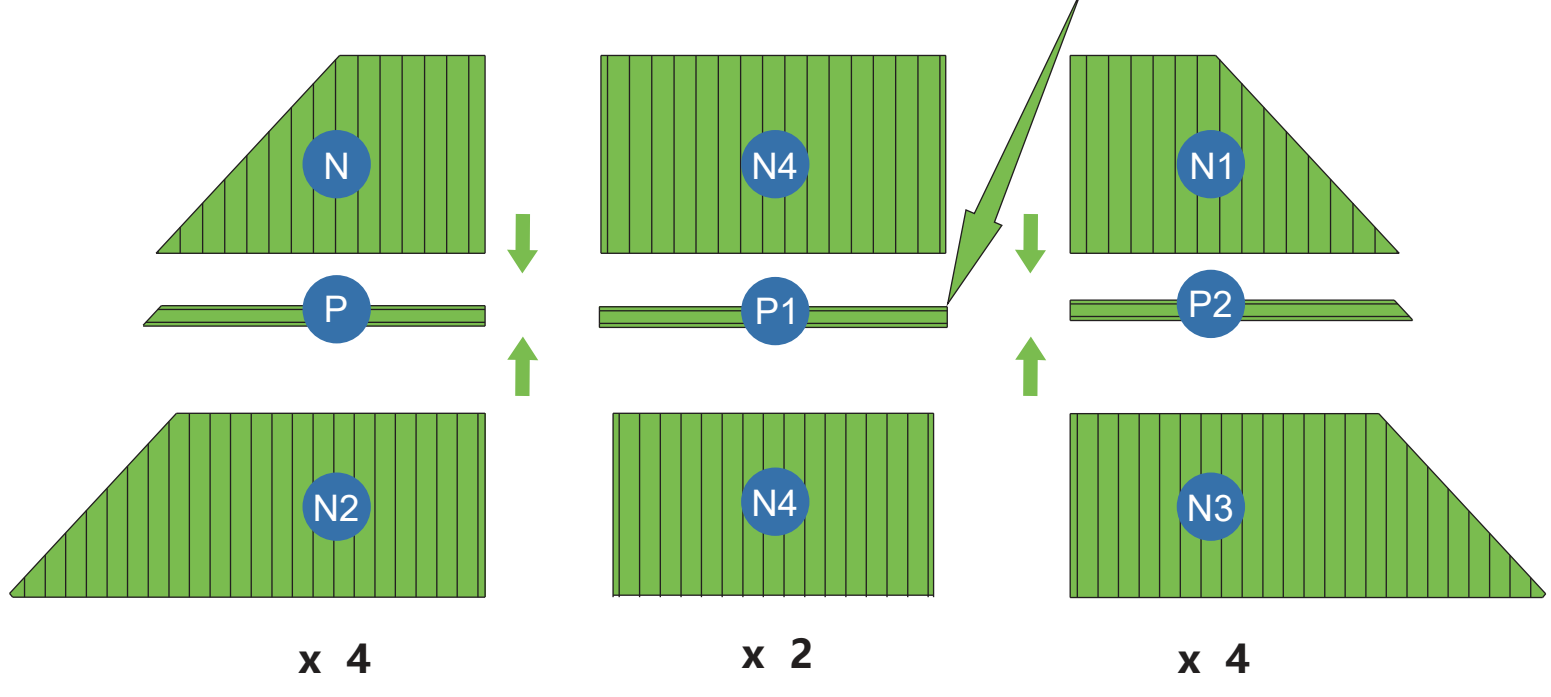
U

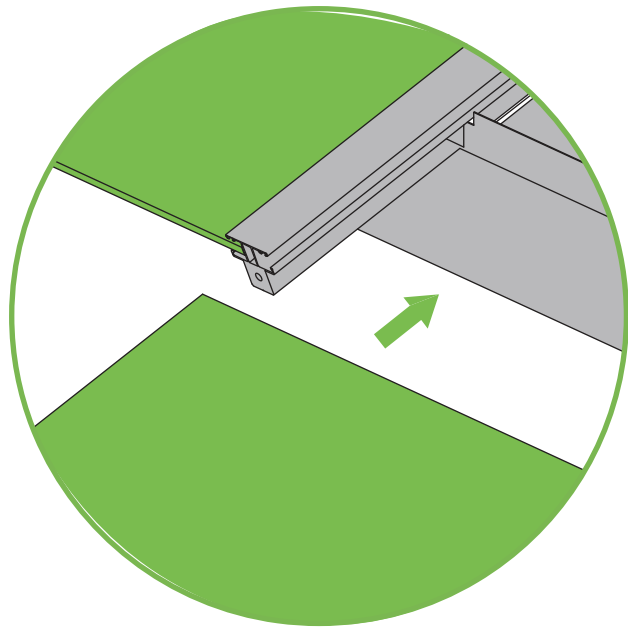
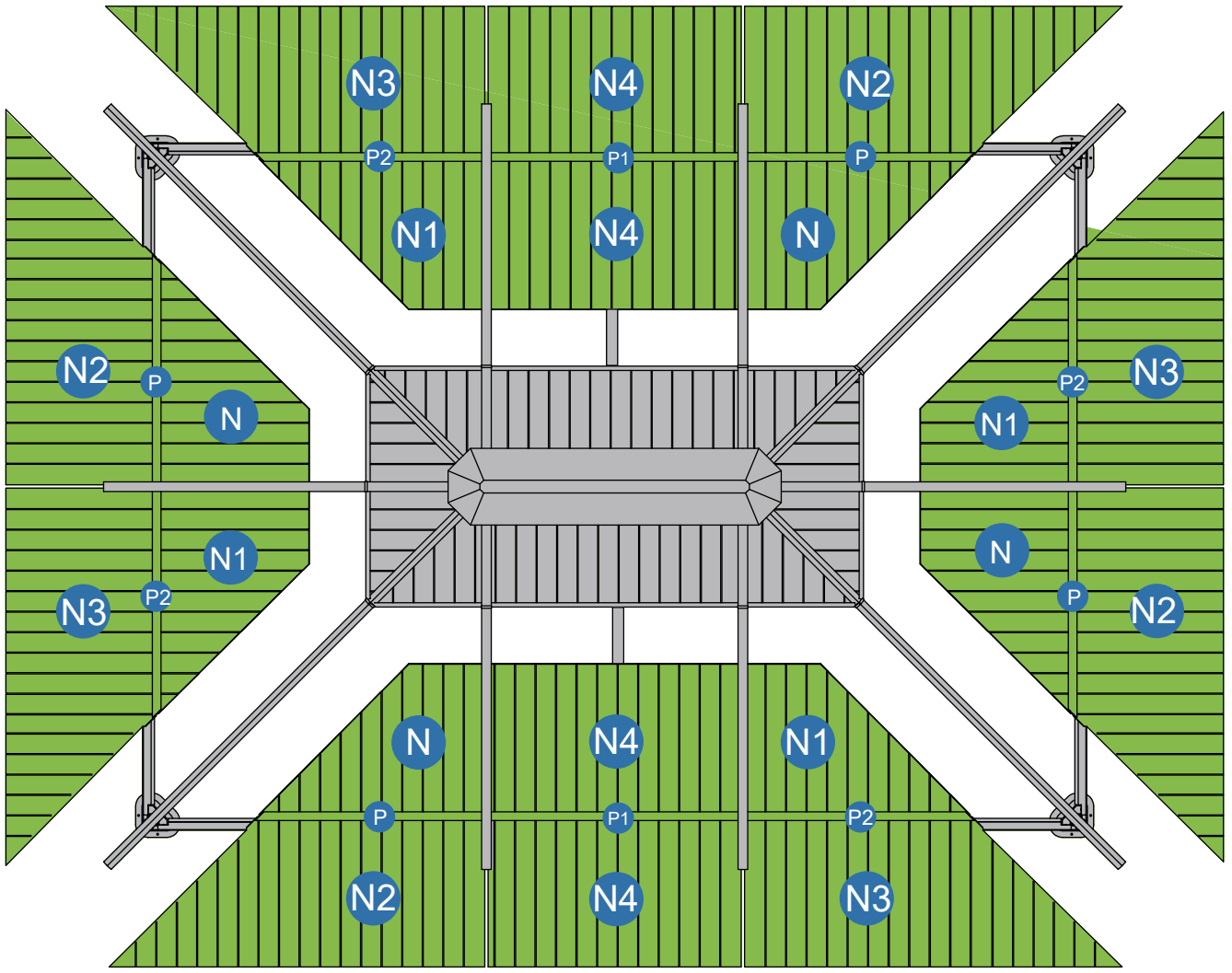
x 6

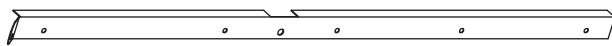


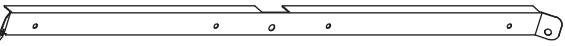
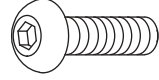


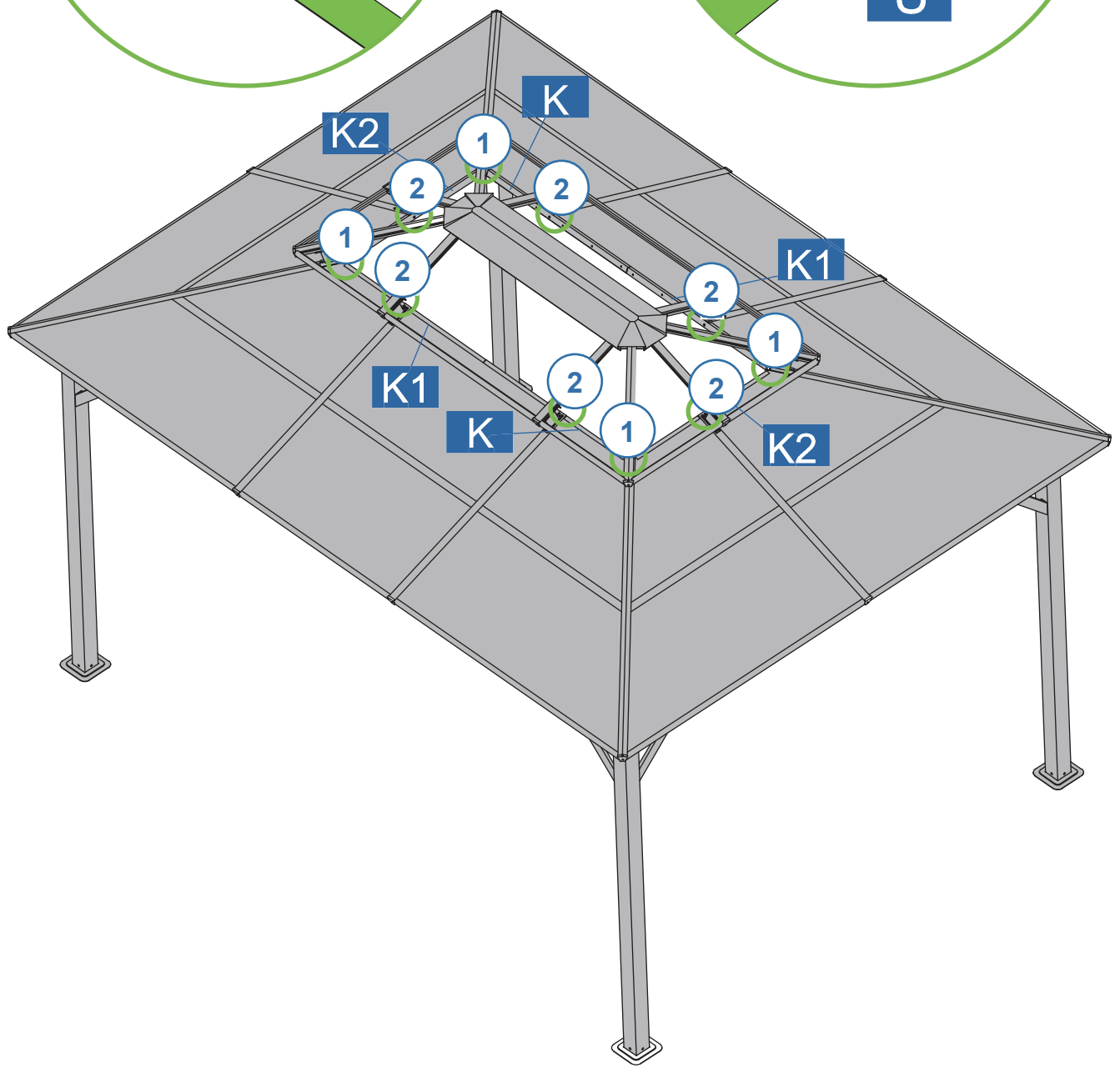
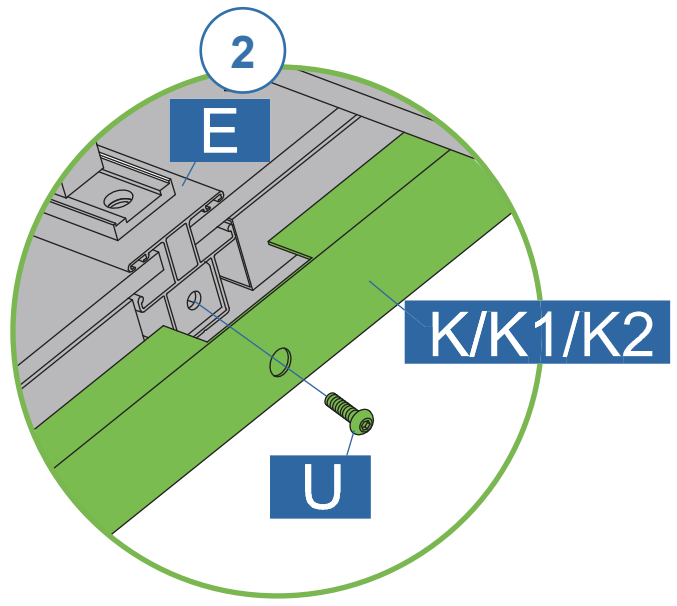
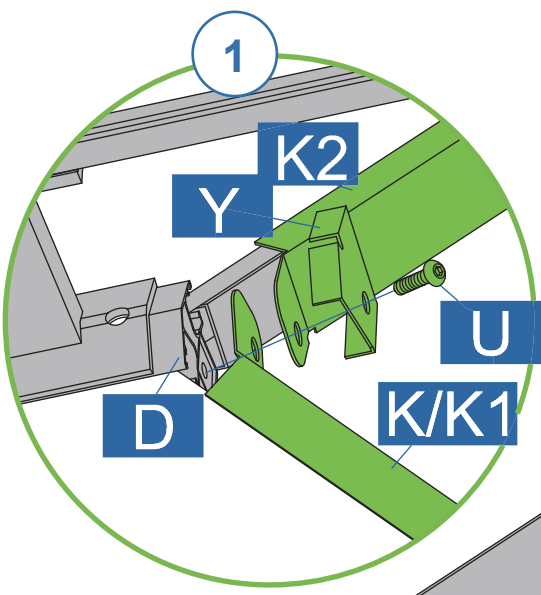


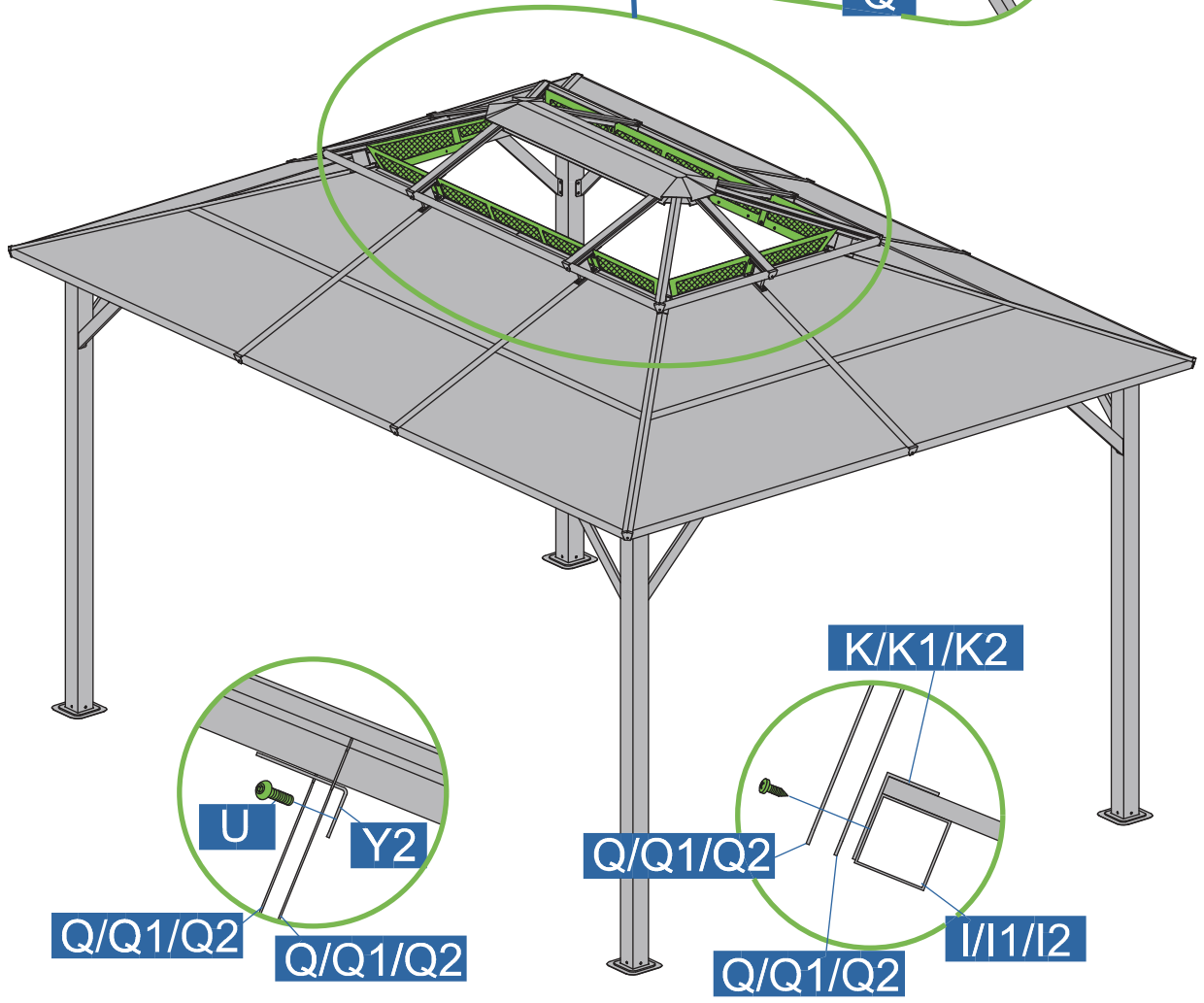
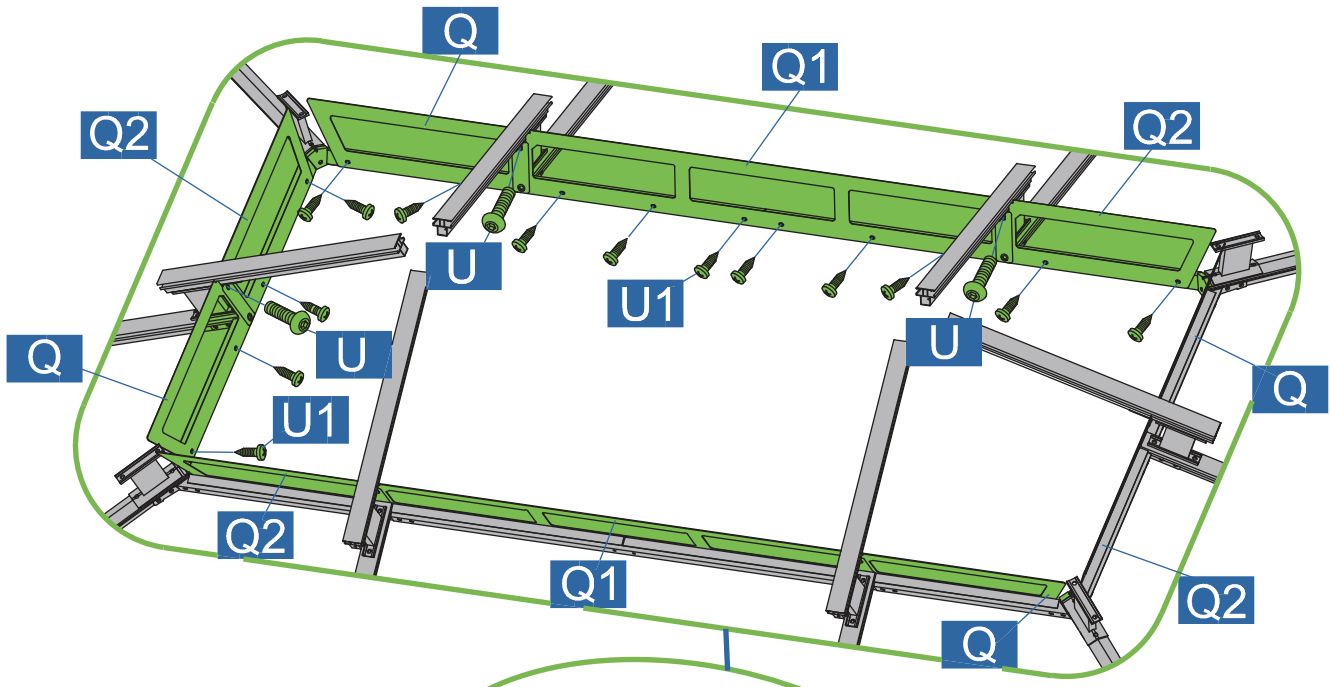
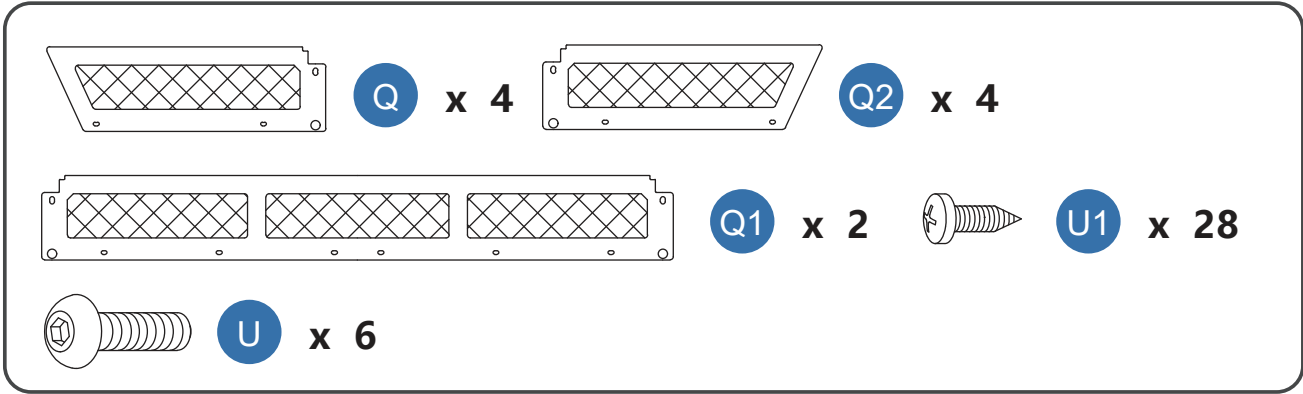
The drainage hole faces upward.

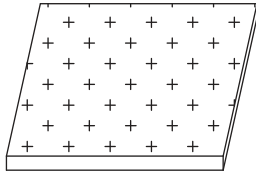




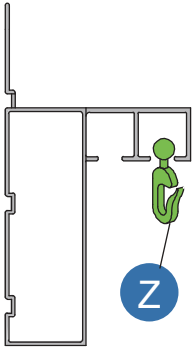
	K x 2		Y x 4
	K1 x 2		
	K2 x 2		U x 10







Net x 4



One part of the curtain has 6 holes hanging on Part C.

The other part has 8 holes hanging on Part B1.

The other part has 8 holes hanging on Part B.

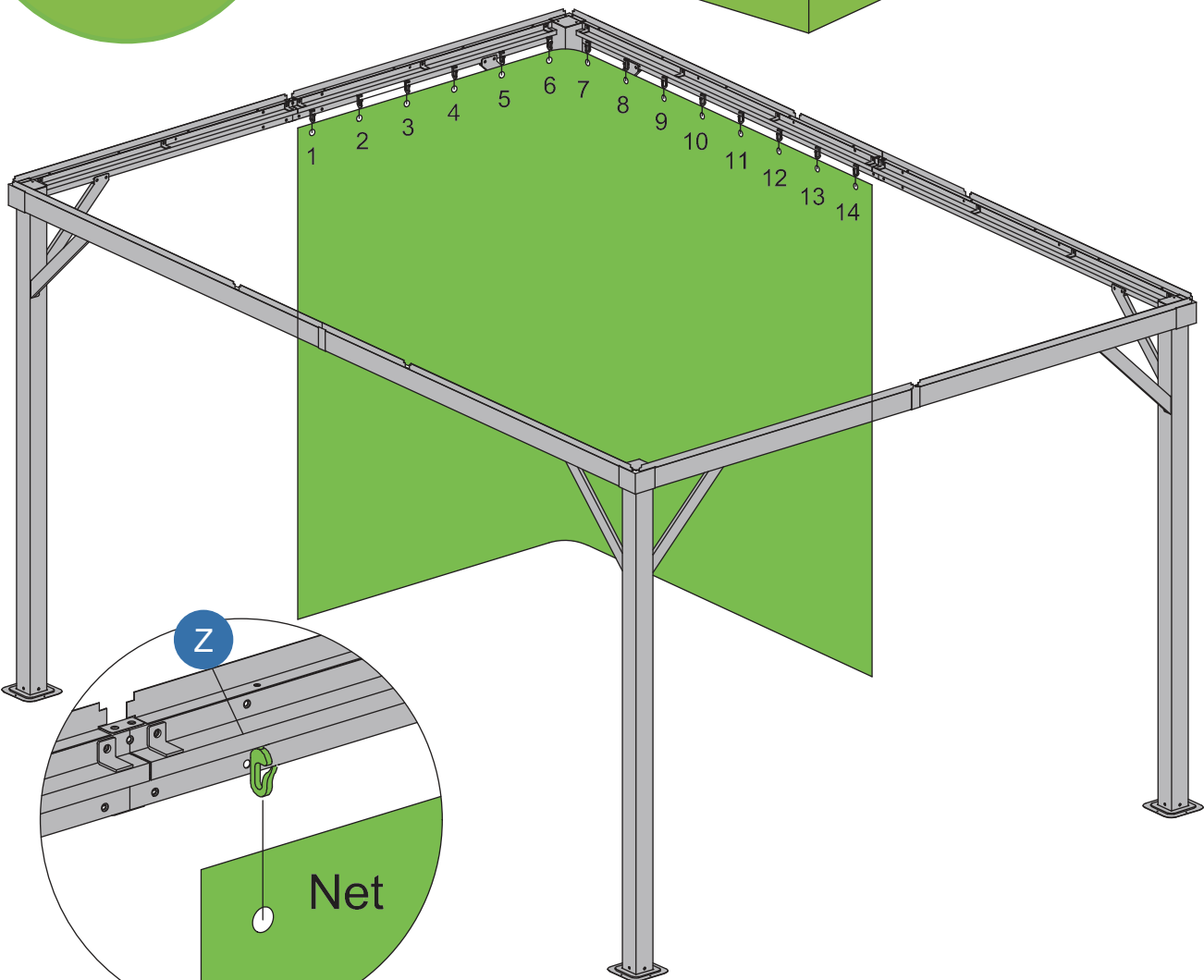
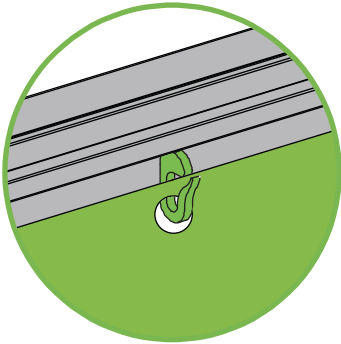
One part of the curtain has 6 holes hanging on Part B.

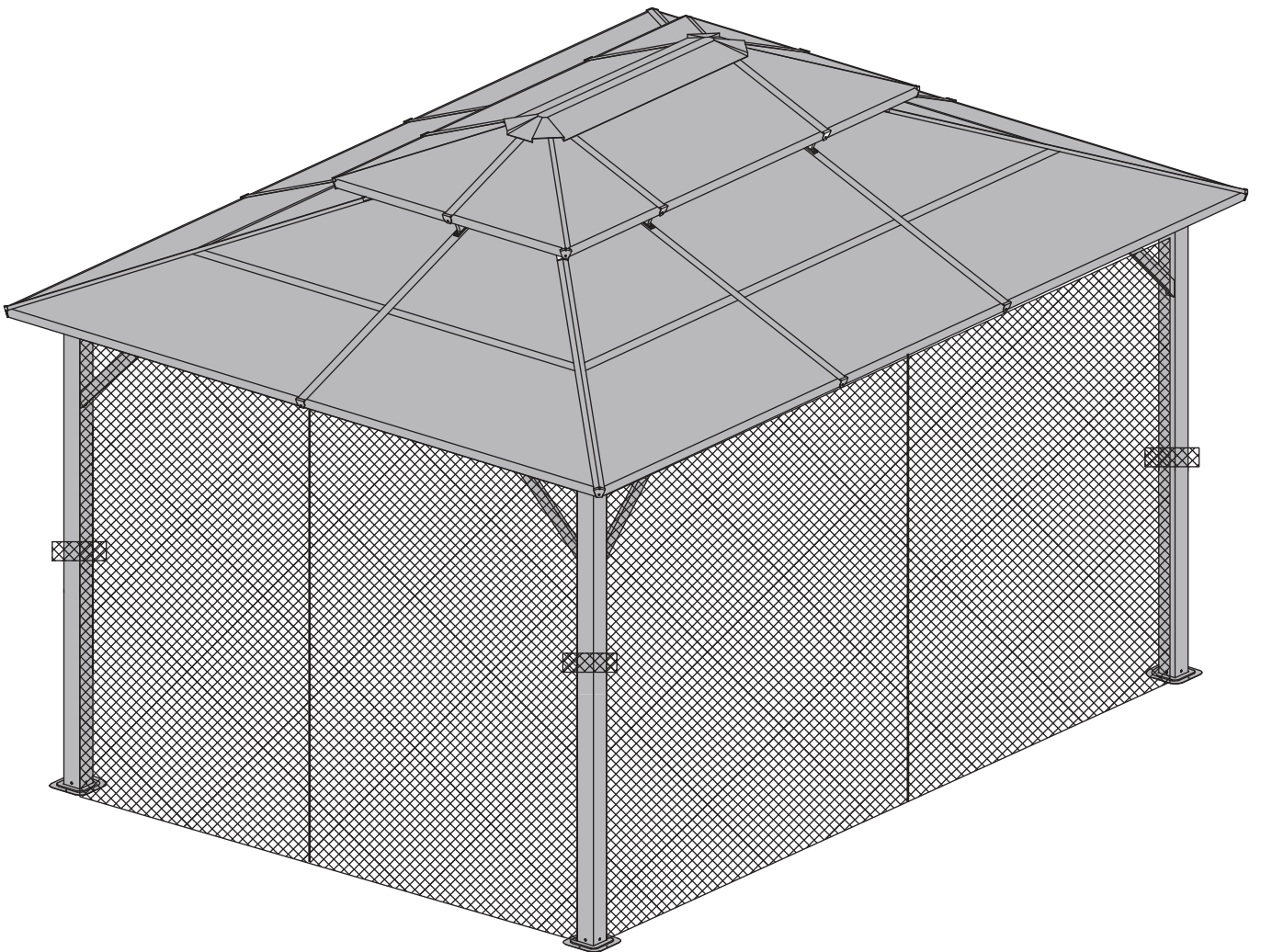
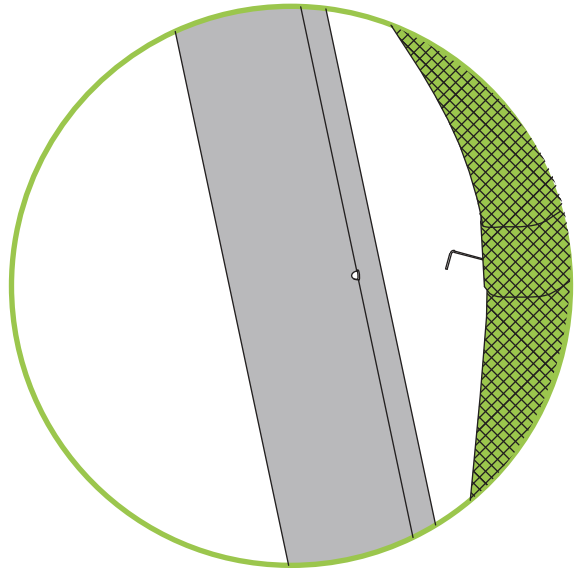
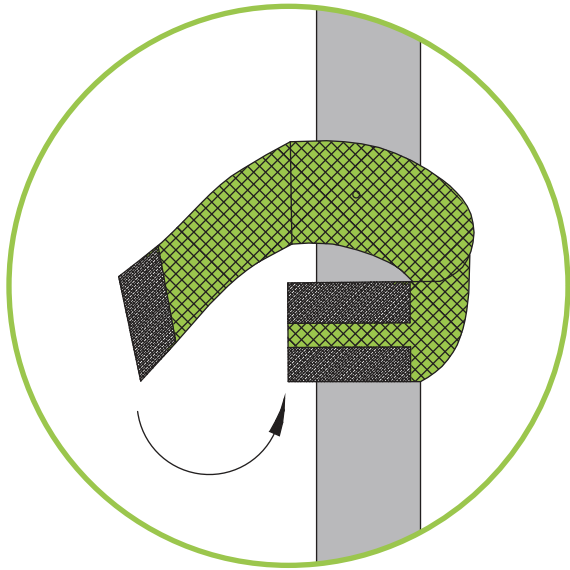
One part of the curtain has 6 holes hanging on Part C1.

The other part has 8 holes hanging on Part B.

One part of the curtain has 8 holes hanging on Part B1.

The other part has 6 holes hanging on Part C.



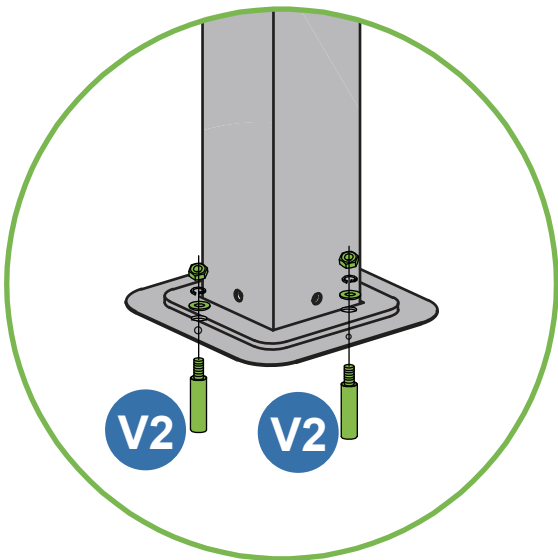
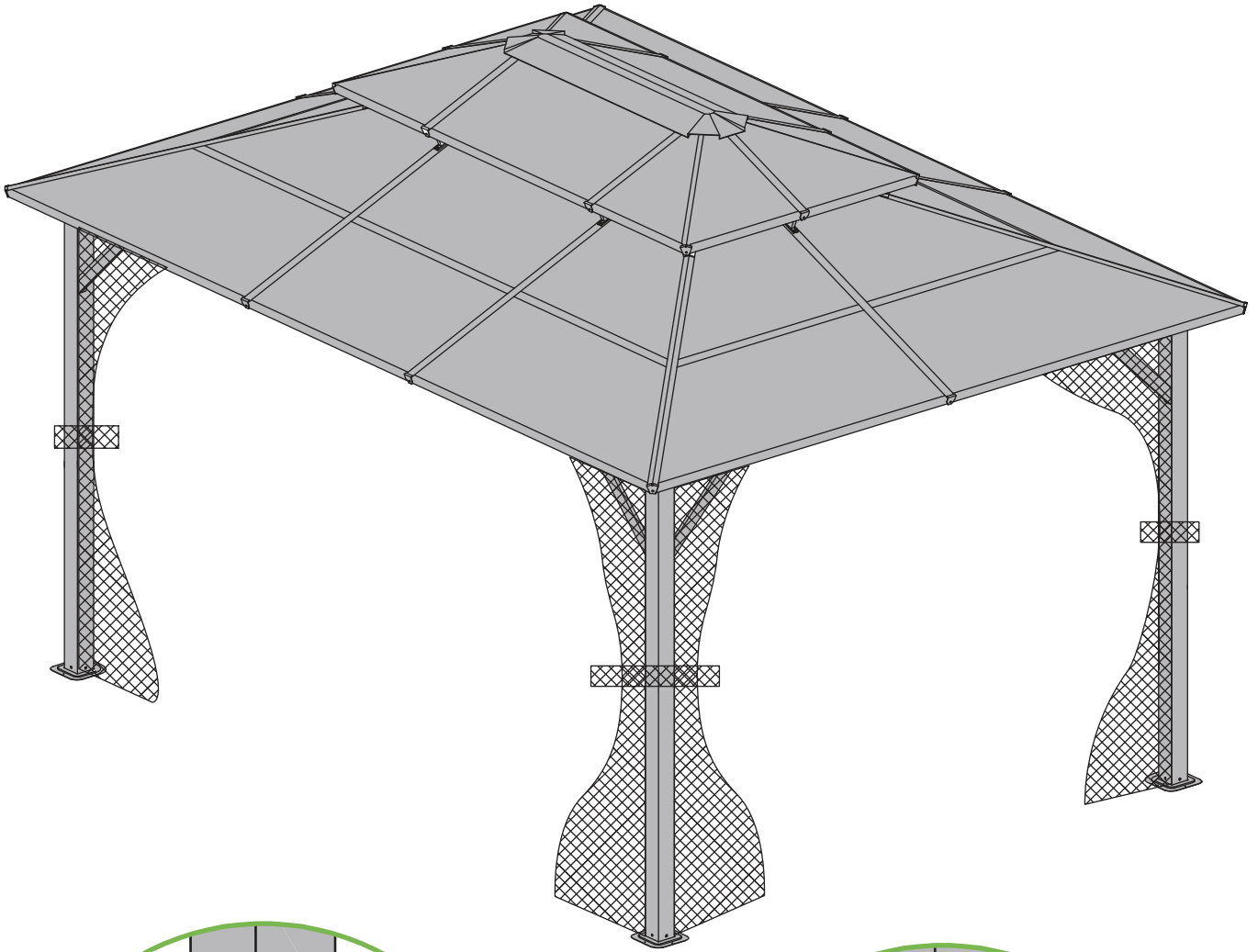




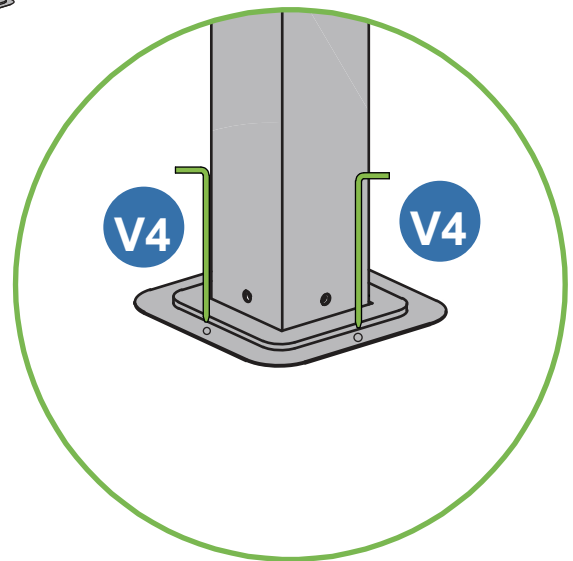
V2 x 16



V4 x 16



Cement surfaces



Grassy surfaces

Installation Completed



To improve wind resistance, be sure to complete this installation step. If expansion screws or ground nails are not installed, strong winds may topple the gazebo. Expansion screws are essential for stability on cement surfaces, and ground nails are for grassy surfaces. All are included in the accessories package.